



US00D642610S

(12) **United States Design Patent**  
**Gault et al.**

(10) **Patent No.:** **US D642,610 S**

(45) **Date of Patent:** **\*\* Aug. 2, 2011**

(54) **CLEANER APPARATUS FOR A PHASE  
CHANGE INK PRINTER**

(75) Inventors: **Joseph B Gault**, Portland, OR (US);  
**Michael C Gordon**, West Linn, OR  
(US); **Richard Watson**, Harpenden  
(GB); **David Pearce**, Bendish (GB);  
**Anthony Peters**, Shillington (GB);  
**Richard G Chambers**, Portland, OR  
(US); **Kevin Swain**, Portland, OR (US);  
**Brian G Russell**, Portland, OR (US);  
**Lee J O'Brien**, Welwyn Garden City  
(GB)

(73) Assignee: **Xerox Corporation**, Norwalk, CT (US)

(\*\*) Term: **14 Years**

(21) Appl. No.: **29/336,508**

(22) Filed: **May 5, 2009**

(51) **LOC (9) Cl.** ..... **18-02**

(52) **U.S. Cl.** ..... **D18/56**

(58) **Field of Classification Search** ..... D14/471;  
D18/12, 36-40, 43, 44, 46-49, 56; 222/DIG. 1;  
347/197, 222; 399/24-28, 107-112, 119,  
399/121, 122, 222-224

See application file for complete search history.

(56) **References Cited**

U.S. PATENT DOCUMENTS

5,314,257	A *	5/1994	Cheng	400/199
6,347,895	B1 *	2/2002	Mason et al.	400/208
D486,853	S *	2/2004	Wilken et al.	D18/56
6,736,487	B2 *	5/2004	Daniels	347/50
D588,190	S *	3/2009	Kamimura et al.	D18/43
D596,663	S *	7/2009	Kamimura et al.	D18/43
7,780,278	B2 *	8/2010	Brown et al.	347/85
7,850,269	B2 *	12/2010	Silverbrook	347/14
7,883,194	B2 *	2/2011	Silverbrook	347/87
7,938,530	B2 *	5/2011	Silverbrook et al.	347/108

\* cited by examiner

*Primary Examiner* — Holly Baynham

*Assistant Examiner* — Michelle E Wilson

(74) *Attorney, Agent, or Firm* — Tallam I. Nguti

(57) **CLAIM**

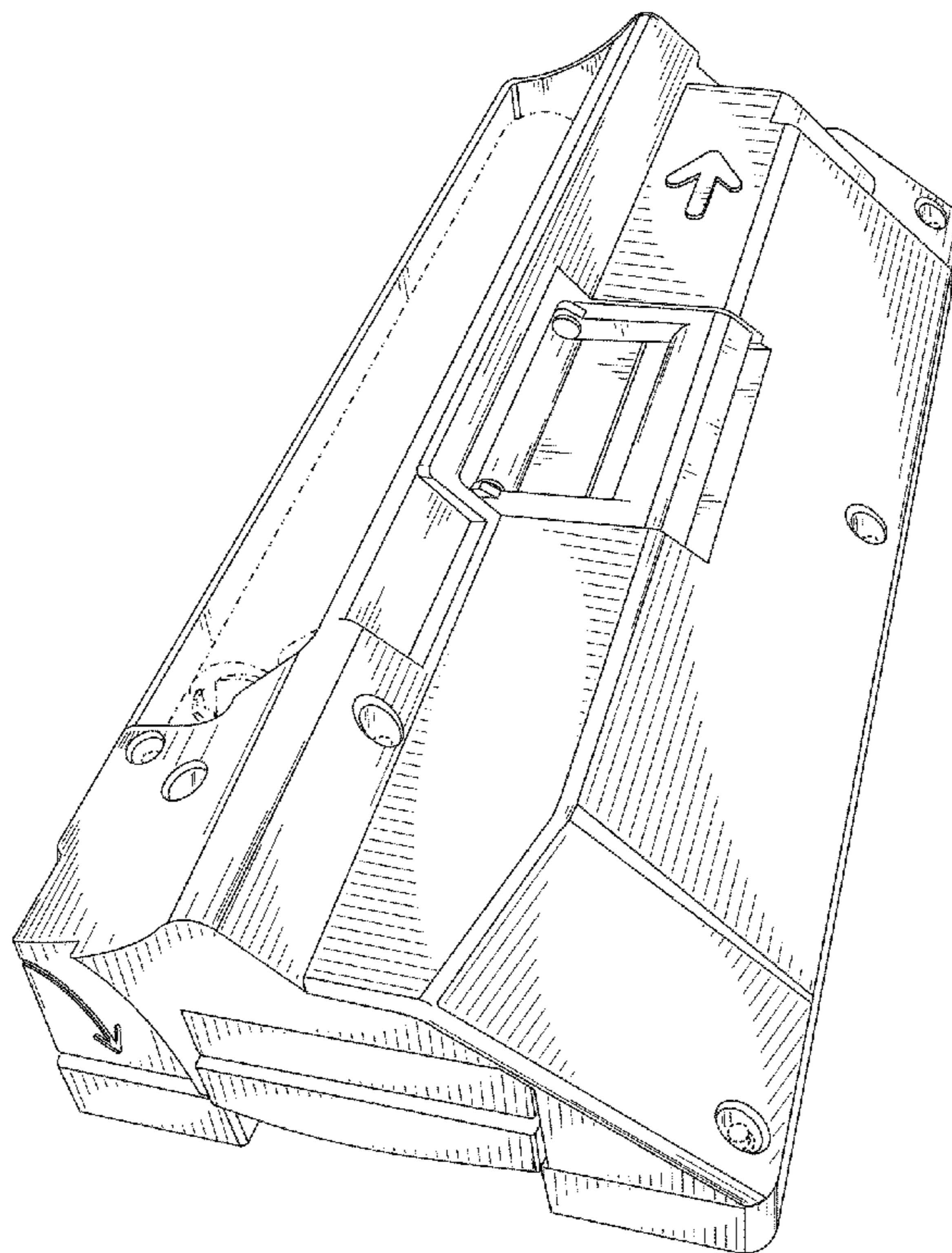
The ornamental design for a cleaner apparatus for a phase change ink printer, as shown and described.

**DESCRIPTION**

FIG. 1 is a perspective view of a cleaner apparatus for a phase change ink printer in accordance with the present invention; FIG. 2 is a front view thereof; FIG. 3 is a right side view thereof; FIG. 4 is a rear view thereof; FIG. 5 is a left side view thereof; FIG. 6 is a top plan view thereof; and, FIG. 7 is a bottom plan view thereof.

The broken line showing of portions of the cleaner apparatus are included for the purpose of illustrating environmental structure and form no part of the claimed design.

**1 Claim, 7 Drawing Sheets**



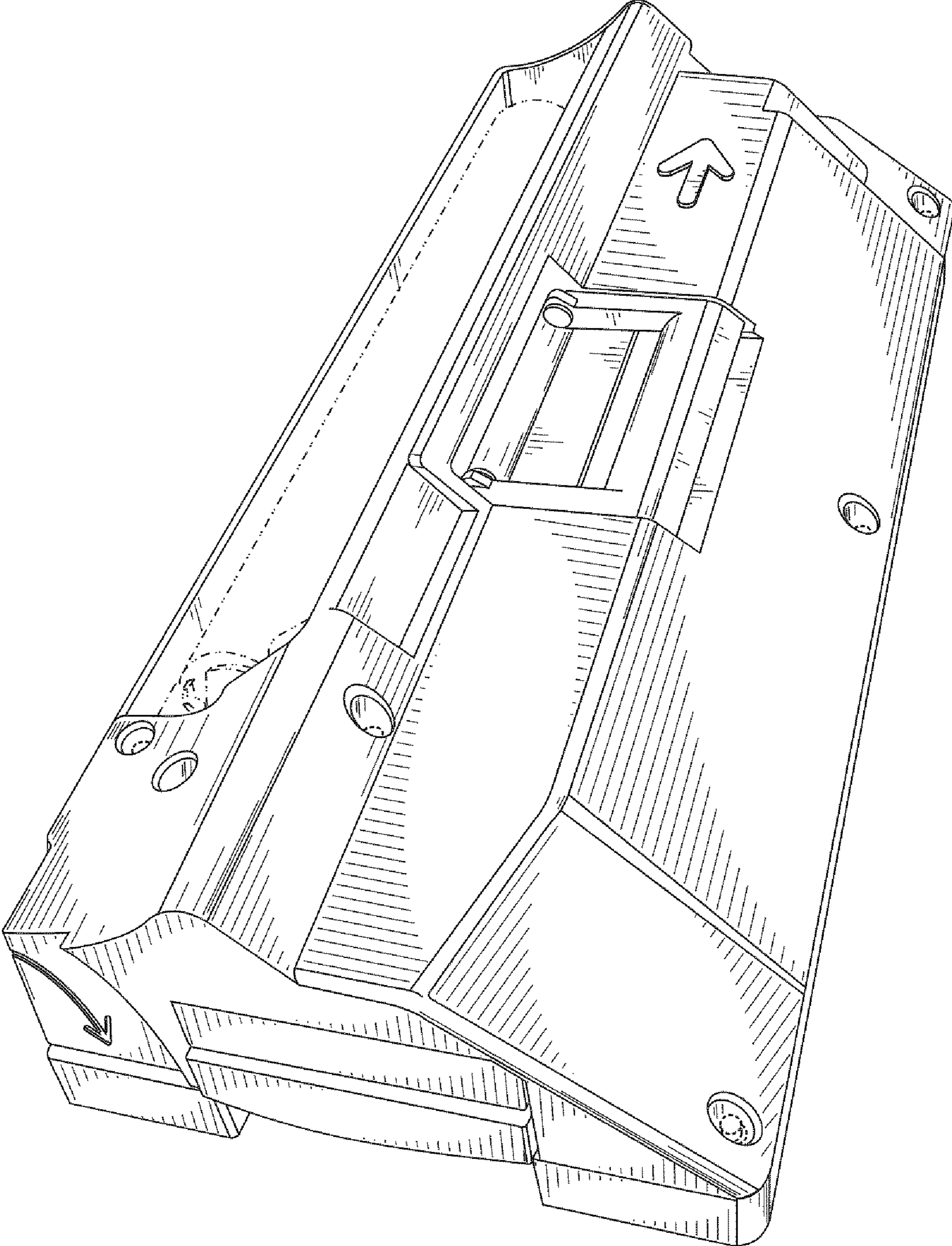


FIG. 1

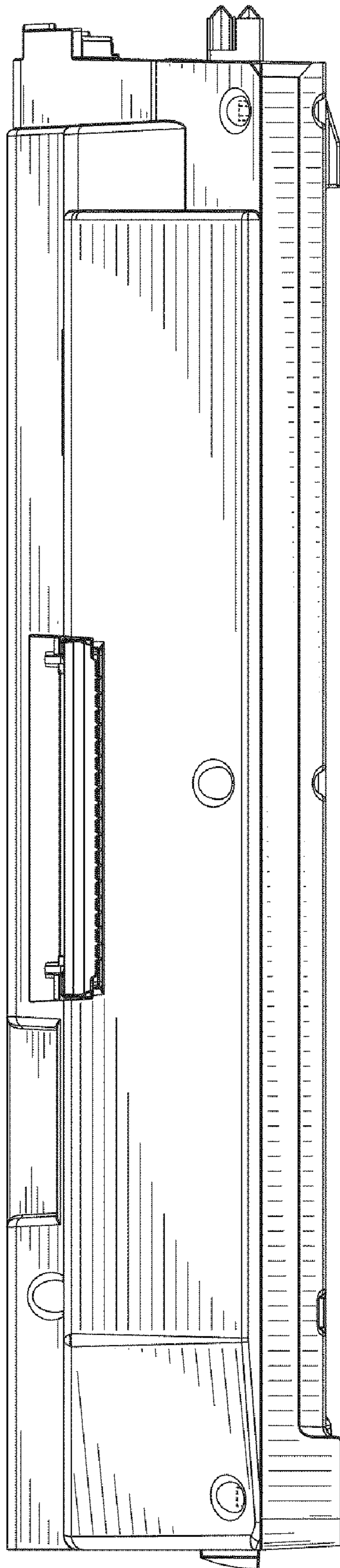
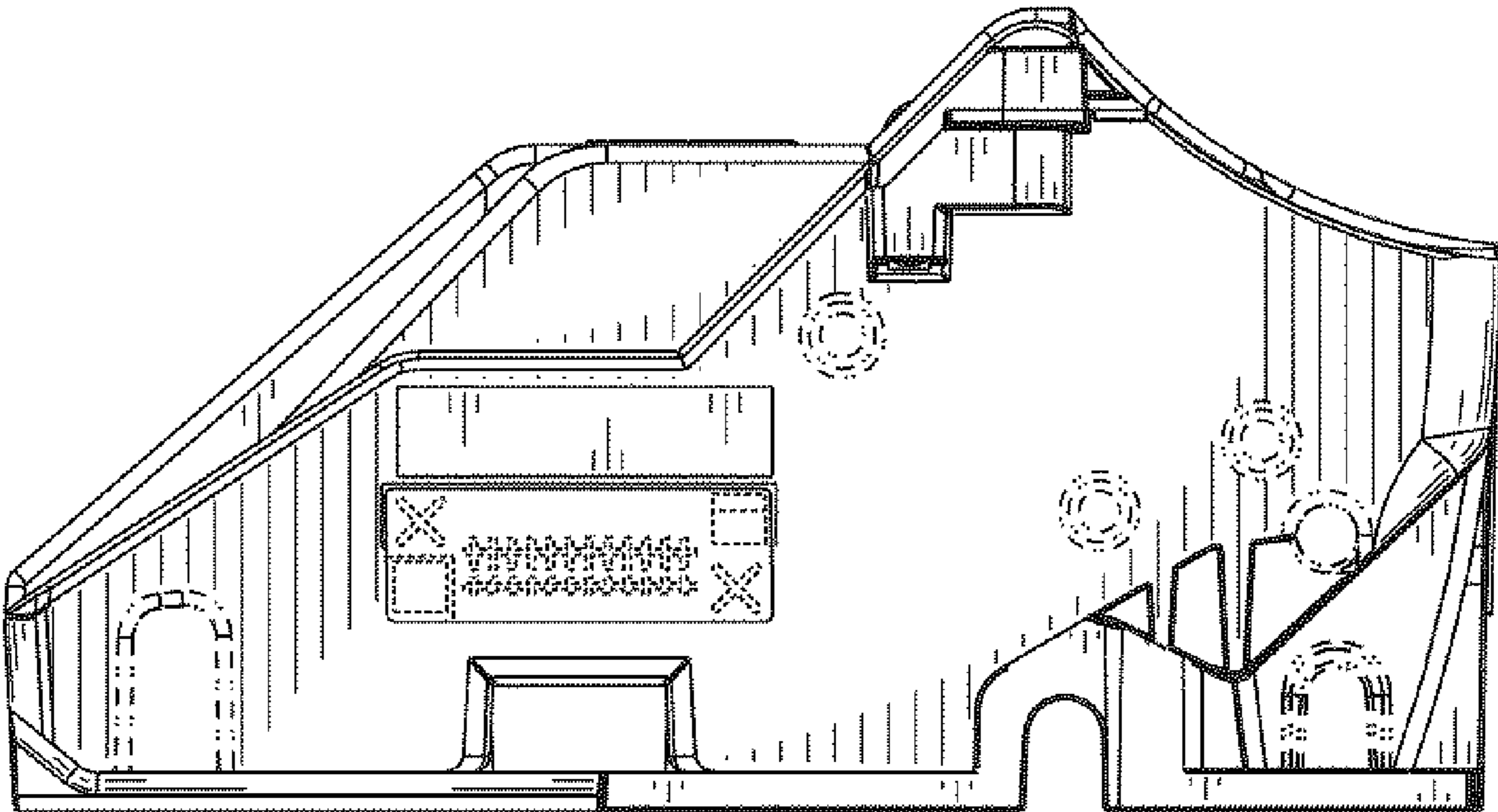


FIG. 2



**FIG. 3**

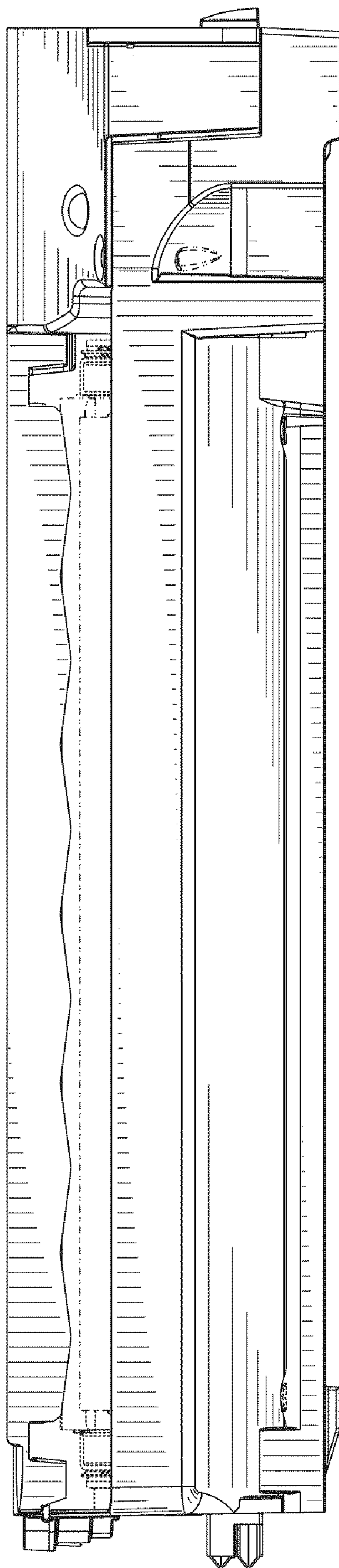
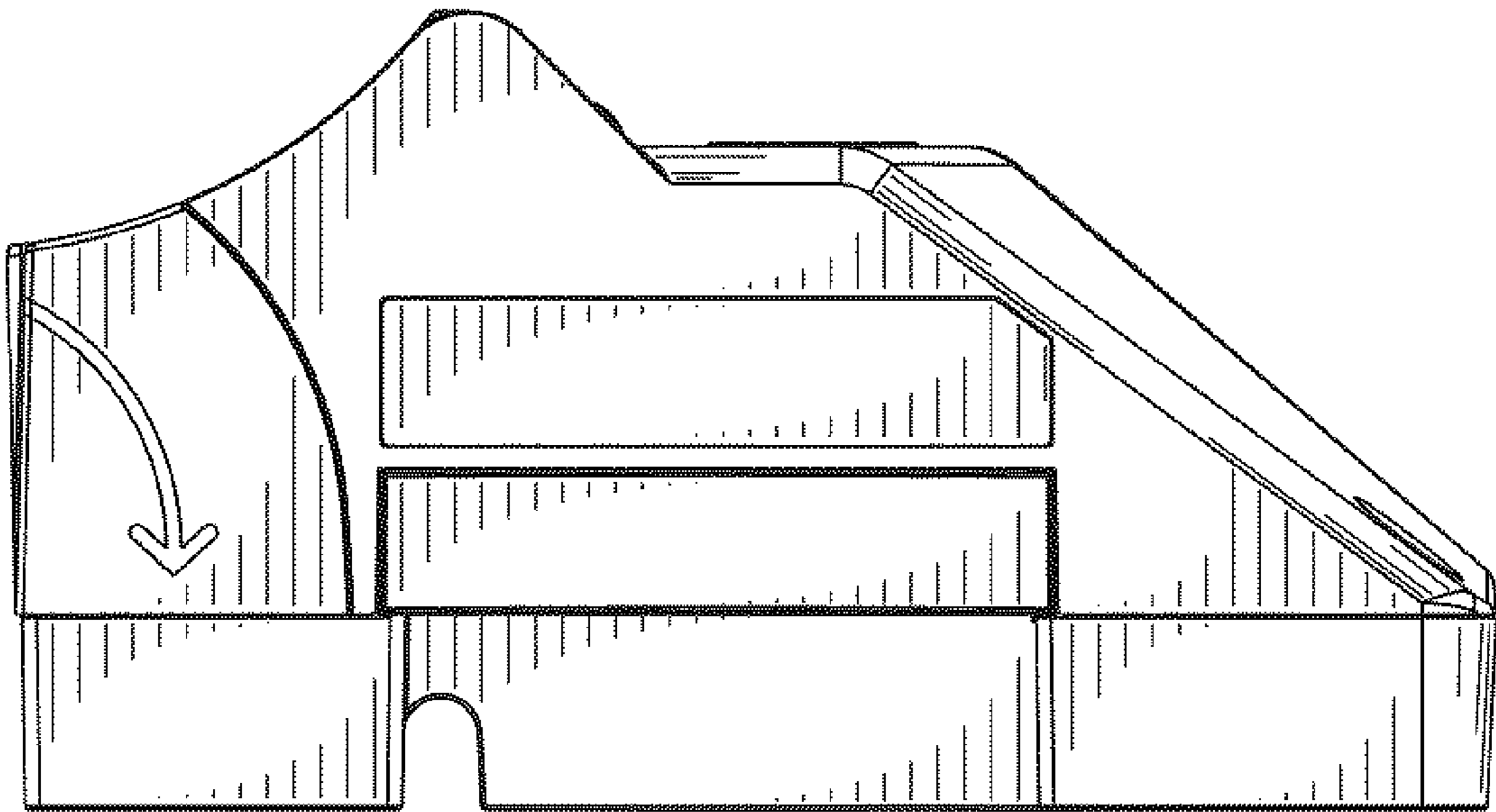


FIG. 4



**FIG. 5**

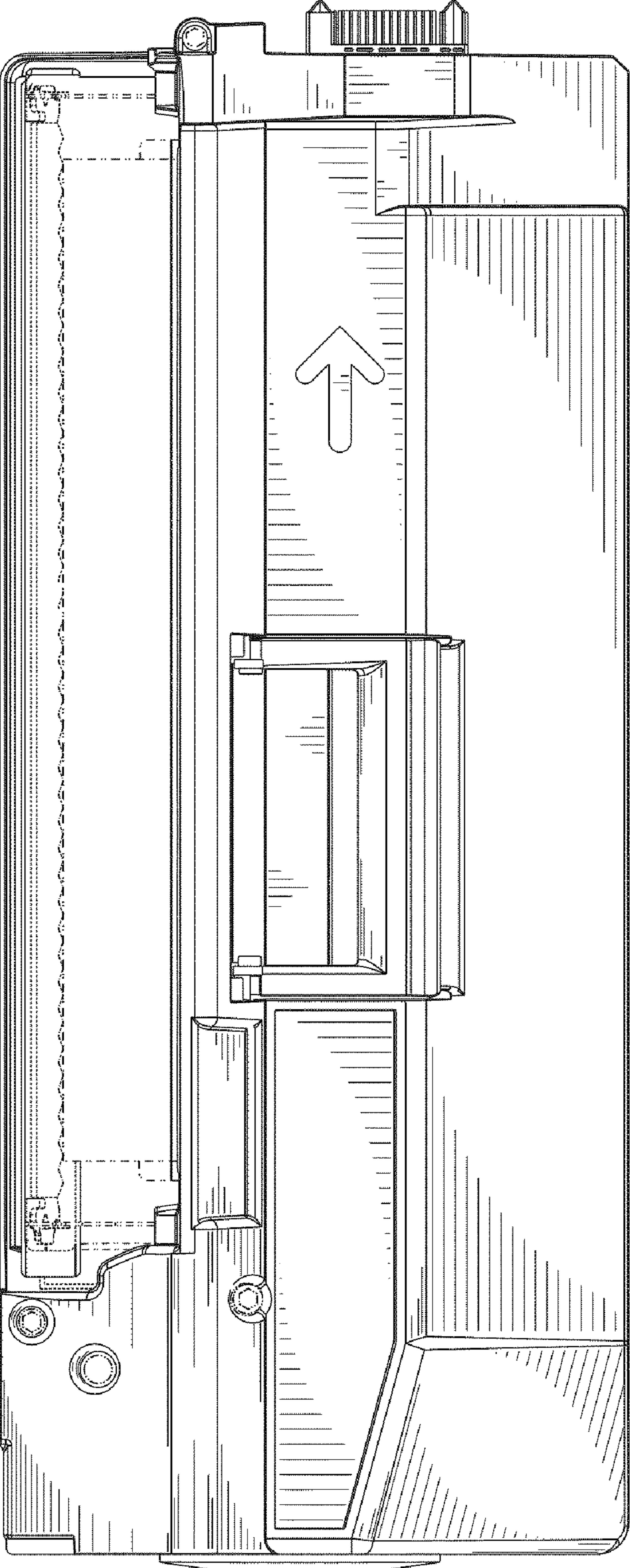


FIG. 6

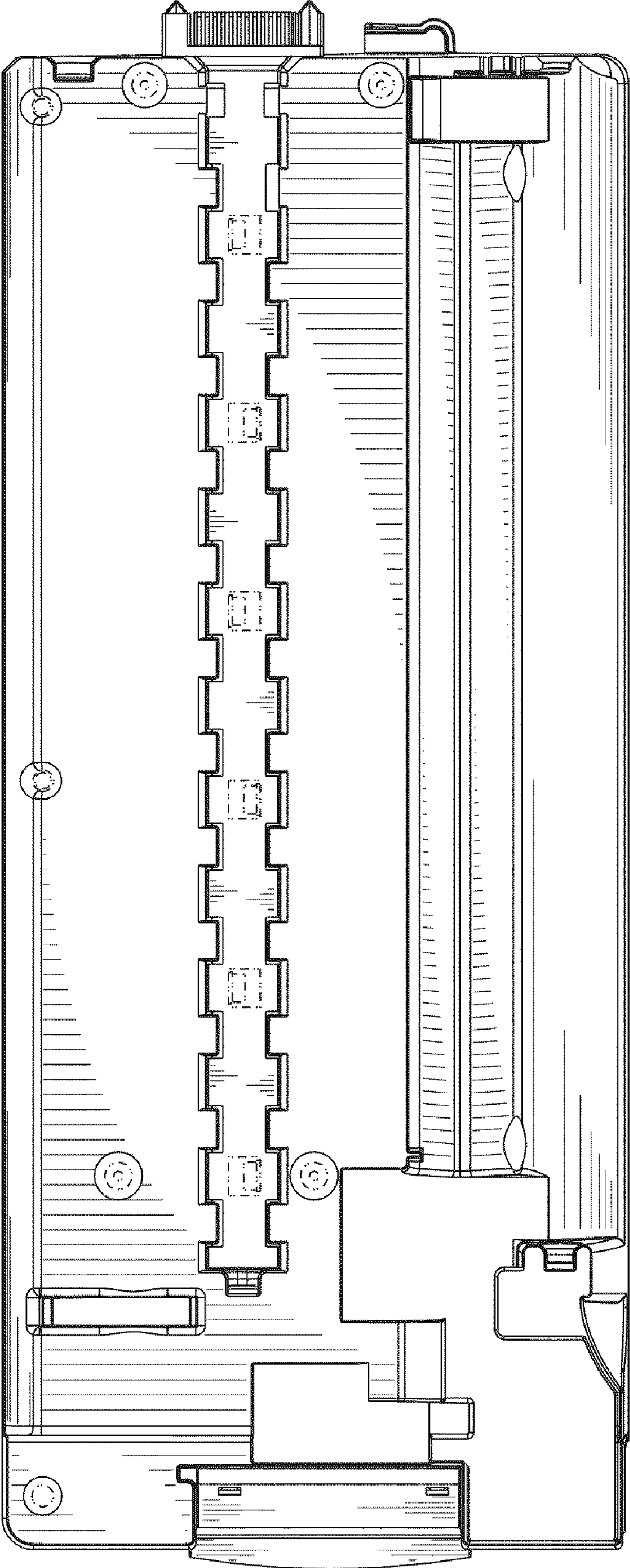


FIG. 7