



US00D642607S

(12) **United States Design Patent**
Bergstrom et al.

(10) **Patent No.:** **US D642,607 S**

(45) **Date of Patent:** **** Aug. 2, 2011**

(54) **HOUSING FOR SURVEILLANCE CAMERA**

(75) Inventors: **Morten Bergstrom**, Bjarred (SE);
Mariano Vozzi, Malmo (SE); **Alexander Rosenqvist**, Sjobo (SE); **Magnus Sonesson**, Landskrona (SE)

(73) Assignee: **Axis AB**, Lund (SE)

(**) Term: **14 Years**

(21) Appl. No.: **29/360,537**

(22) Filed: **Apr. 27, 2010**

(30) **Foreign Application Priority Data**

Oct. 27, 2009 (EM) 001173686

(51) **LOC (9) Cl.** **16-01**

(52) **U.S. Cl.** **D16/203**

(58) **Field of Classification Search** D16/200–204,
D16/208, 218; 348/143, 151, 373–376; 396/427,
396/535–541

See application file for complete search history.

(56) **References Cited**

U.S. PATENT DOCUMENTS

4,283,743 A * 8/1981 Kaiser 348/373
4,394,692 A * 7/1983 Randmae et al. 348/374
4,414,576 A * 11/1983 Randmae 348/373
D307,915 S * 5/1990 Kuester, III D16/203
D481,407 S * 10/2003 Alessio D16/203

6,728,480 B1 * 4/2004 Maeda et al. 396/427
D552,145 S * 10/2007 Grotto D16/203
D578,561 S * 10/2008 Dumanogullari D16/203
D614,222 S * 4/2010 Yamakawa D16/203
7,859,592 B2 * 12/2010 Takahashi et al. 348/373
2005/0270414 A1 * 12/2005 Lee 348/373

OTHER PUBLICATIONS

U.S. Appl. No. 29/360,533, filed Apr. 27, 2010, Bergstrom et al.

* cited by examiner

Primary Examiner — Adir Aronovich

(74) *Attorney, Agent, or Firm* — Oblon, Spivak,
McClelland, Maier & Neustadt, L.L.P.

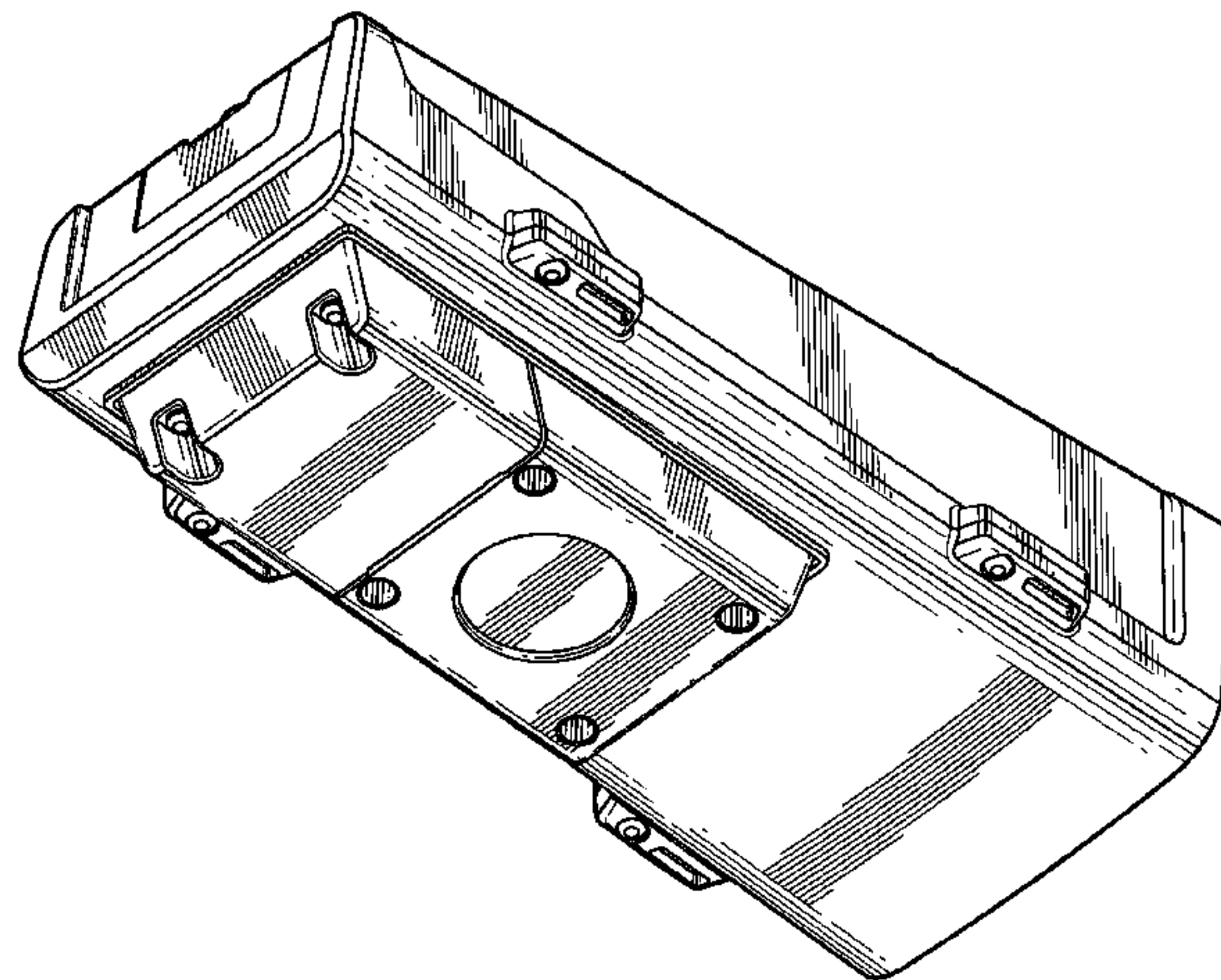
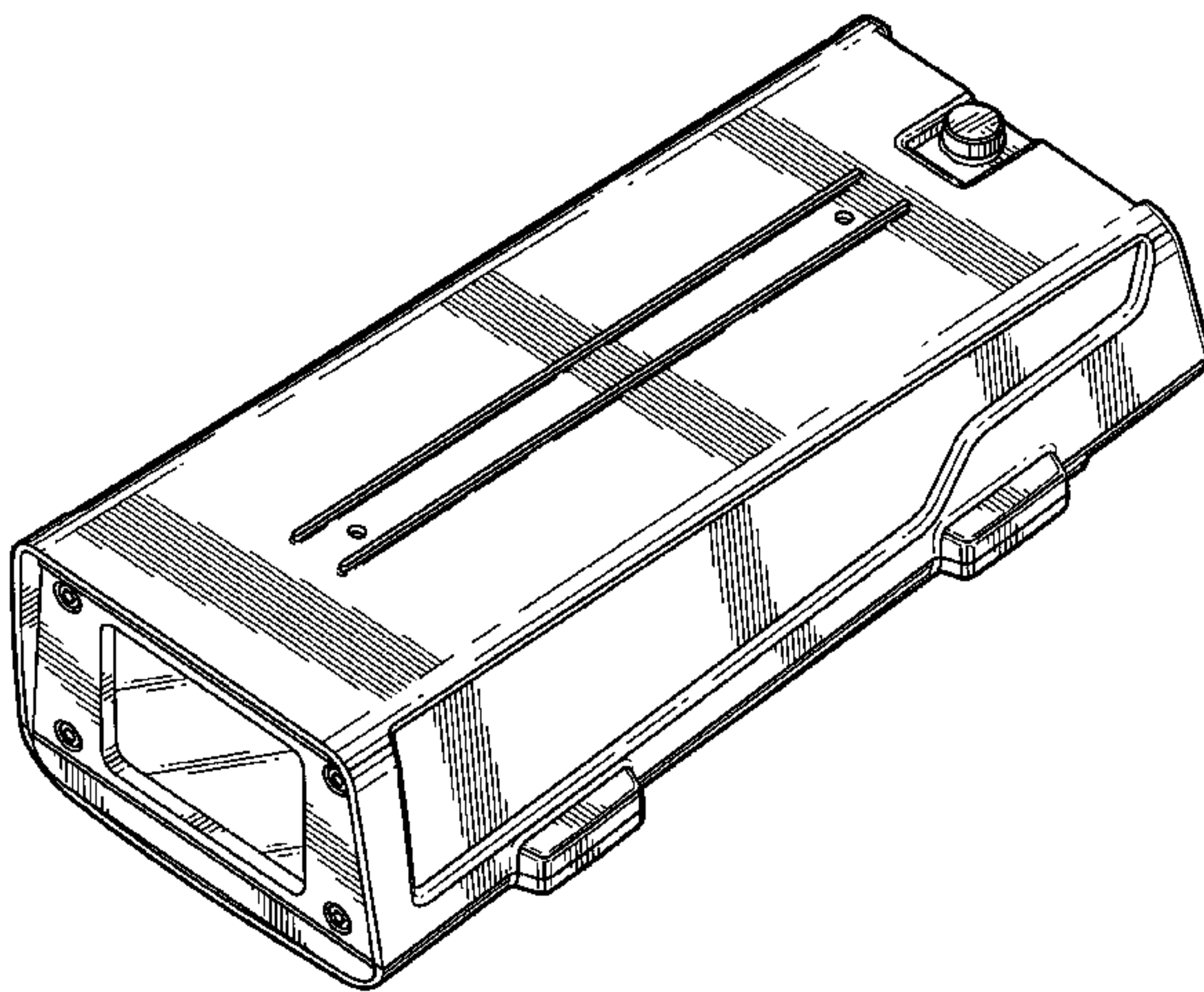
(57) **CLAIM**

The ornamental design for a housing for surveillance camera,
as shown and described.

DESCRIPTION

FIG. 1 is a front, top, and right side perspective view of a housing for surveillance camera;
FIG. 2 is a rear, bottom, and left side perspective view thereof;
FIG. 3 is a front elevational view thereof;
FIG. 4 is a right side elevational view thereof, the left side elevational view being a mirror image of the right side elevational view shown;
FIG. 5 is a rear elevational view thereof;
FIG. 6 is a top plan view thereof; and,
FIG. 7 is a bottom plan view thereof.

1 Claim, 7 Drawing Sheets



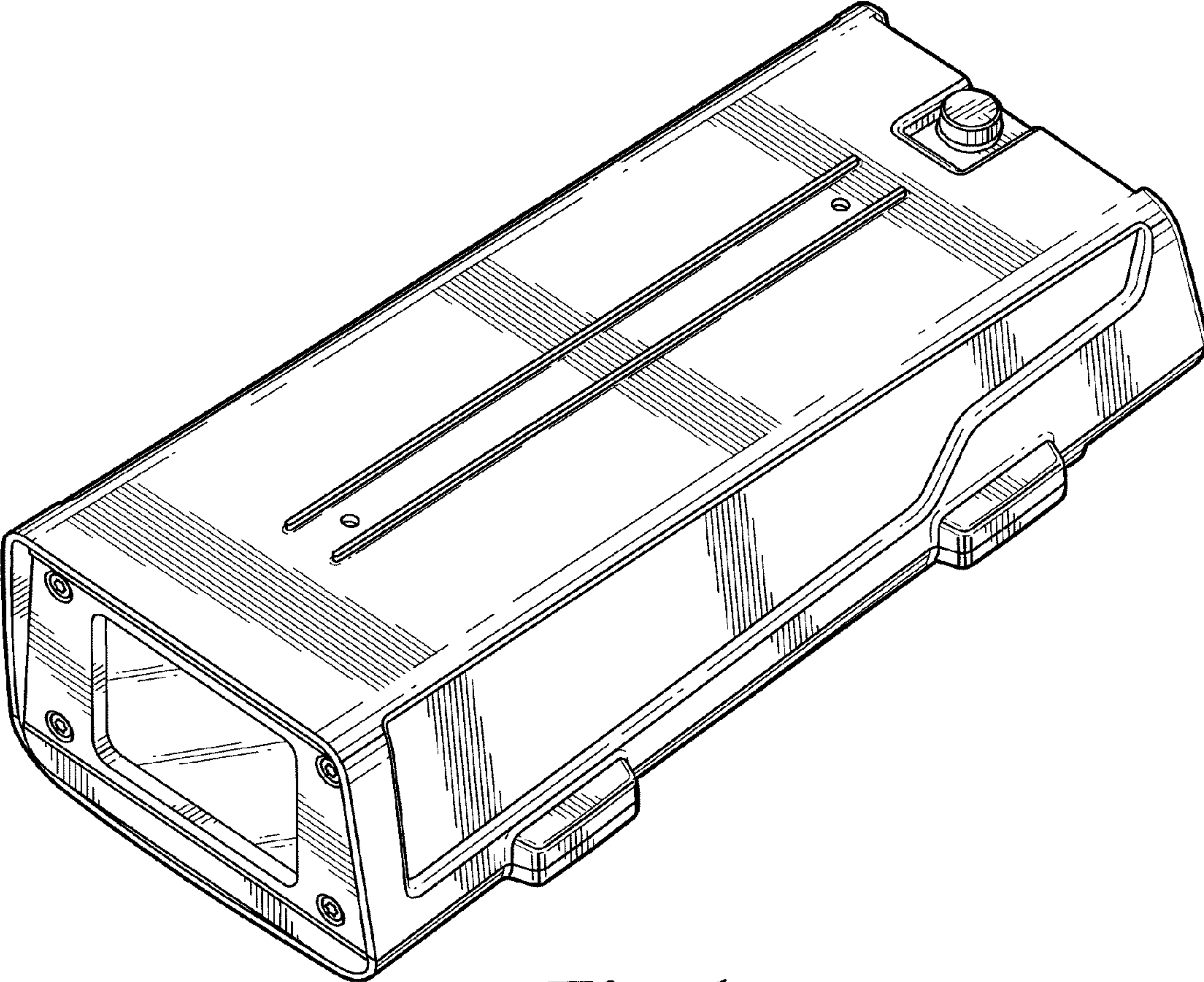


Fig. 1

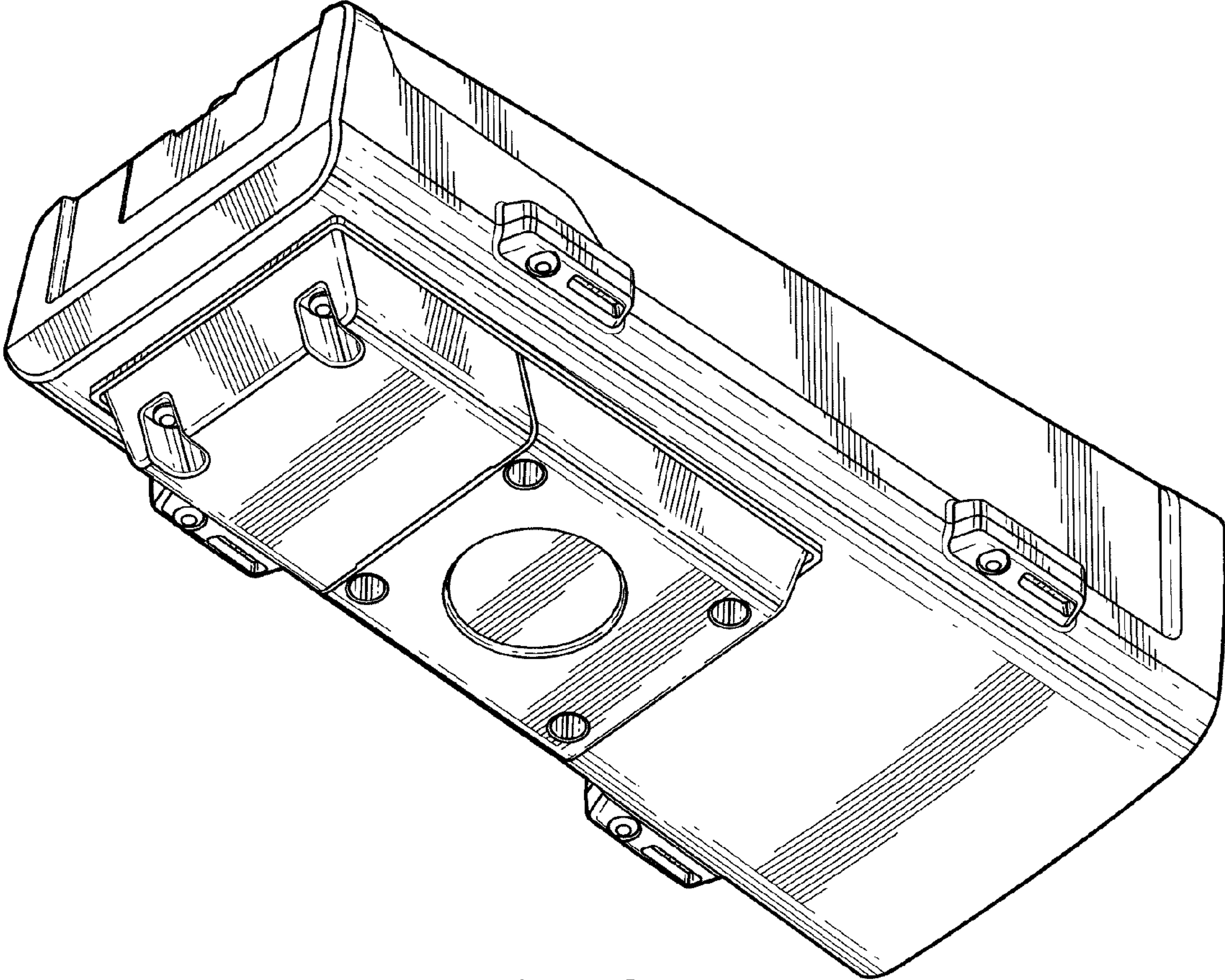


Fig. 2

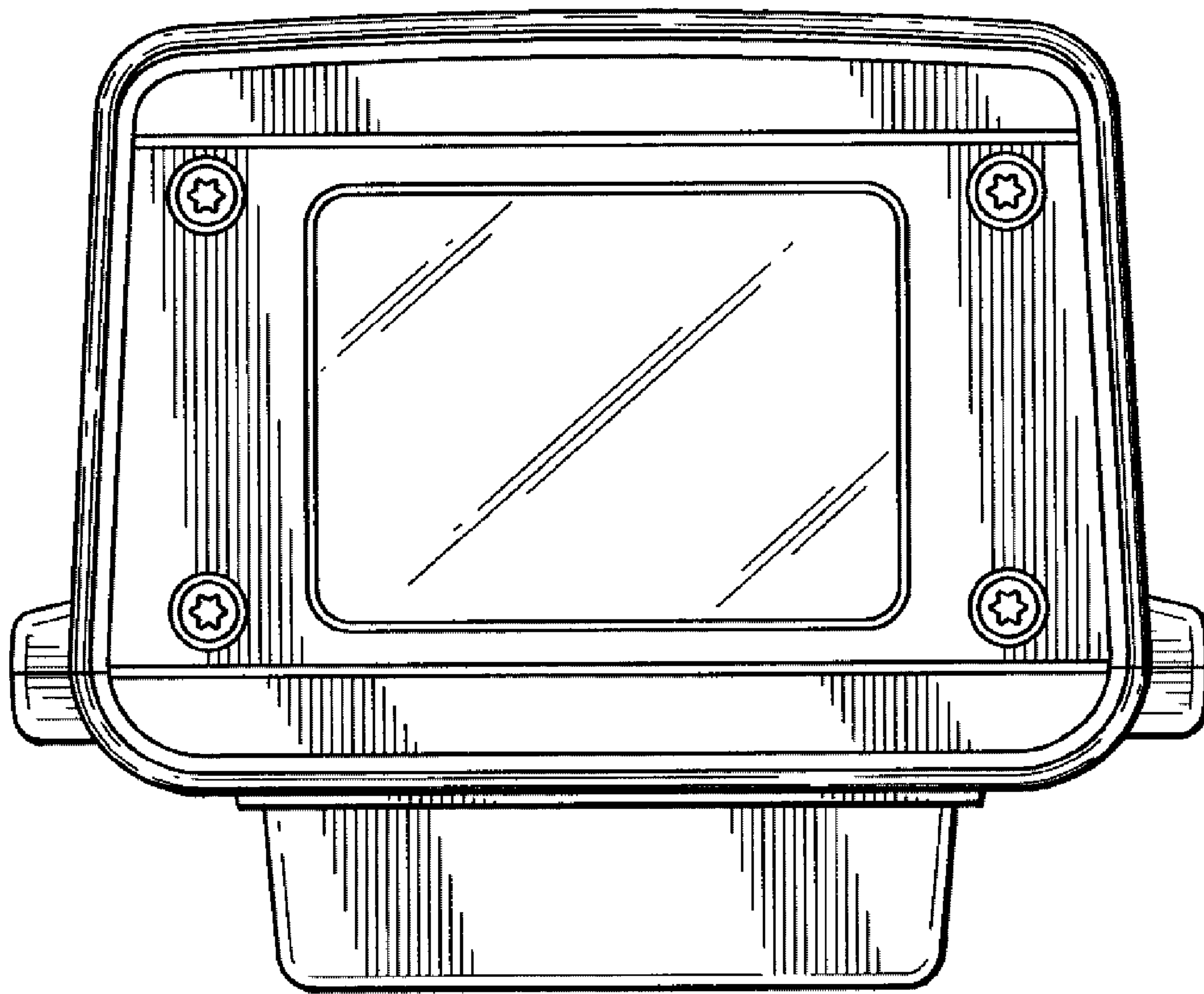


Fig. 3

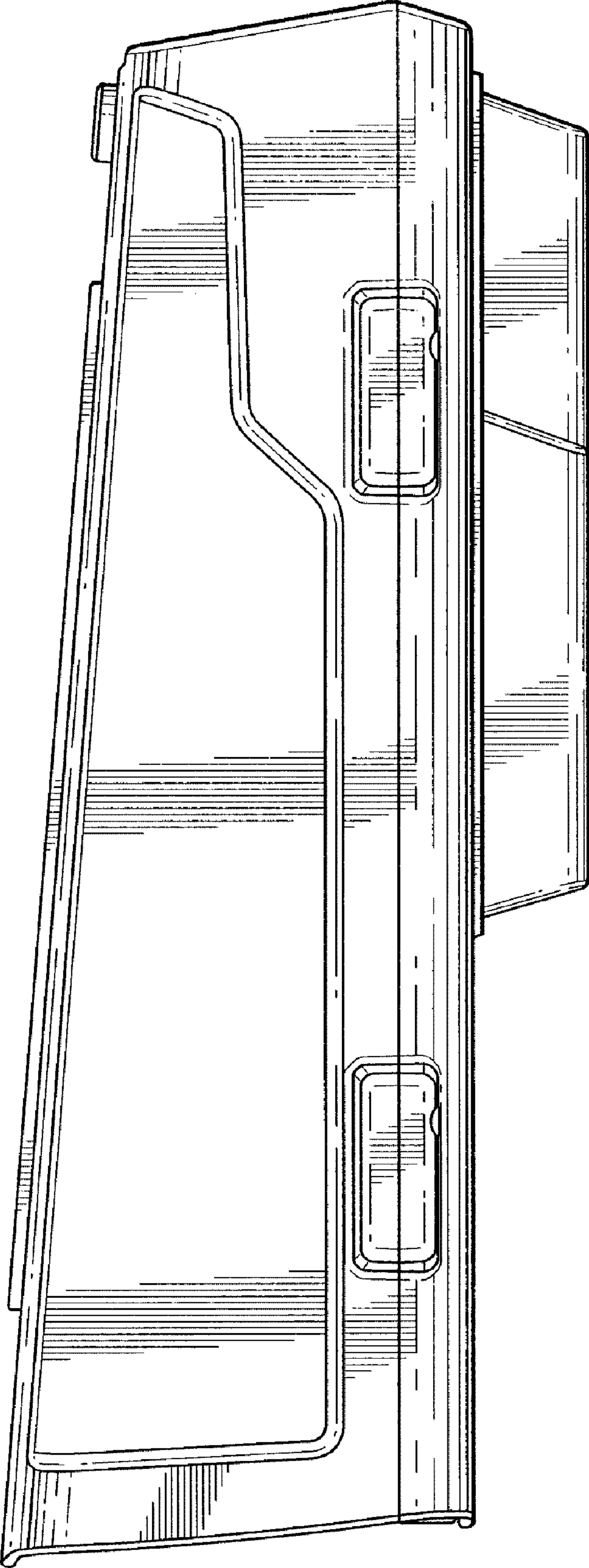


Fig. 4

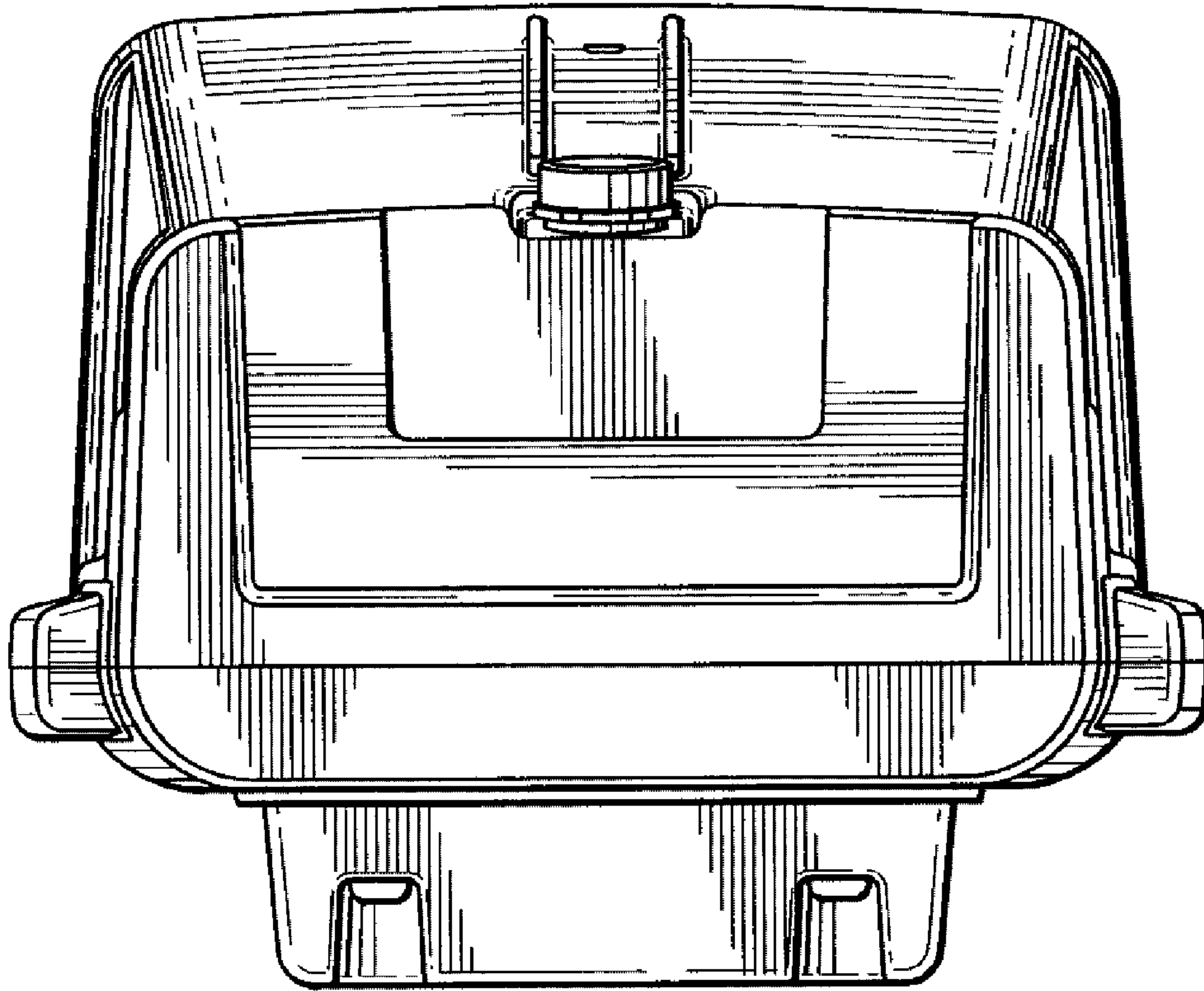


Fig. 5

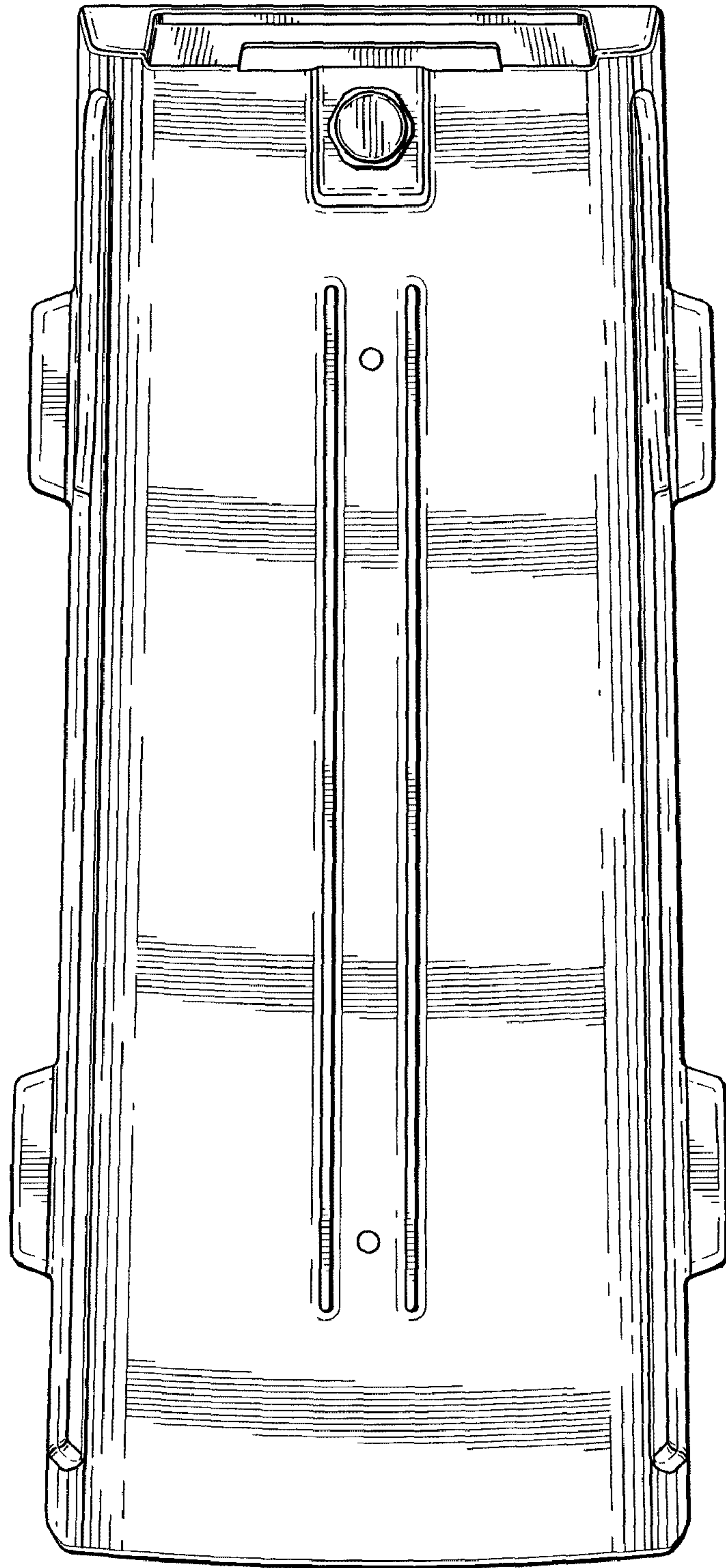


Fig. 6

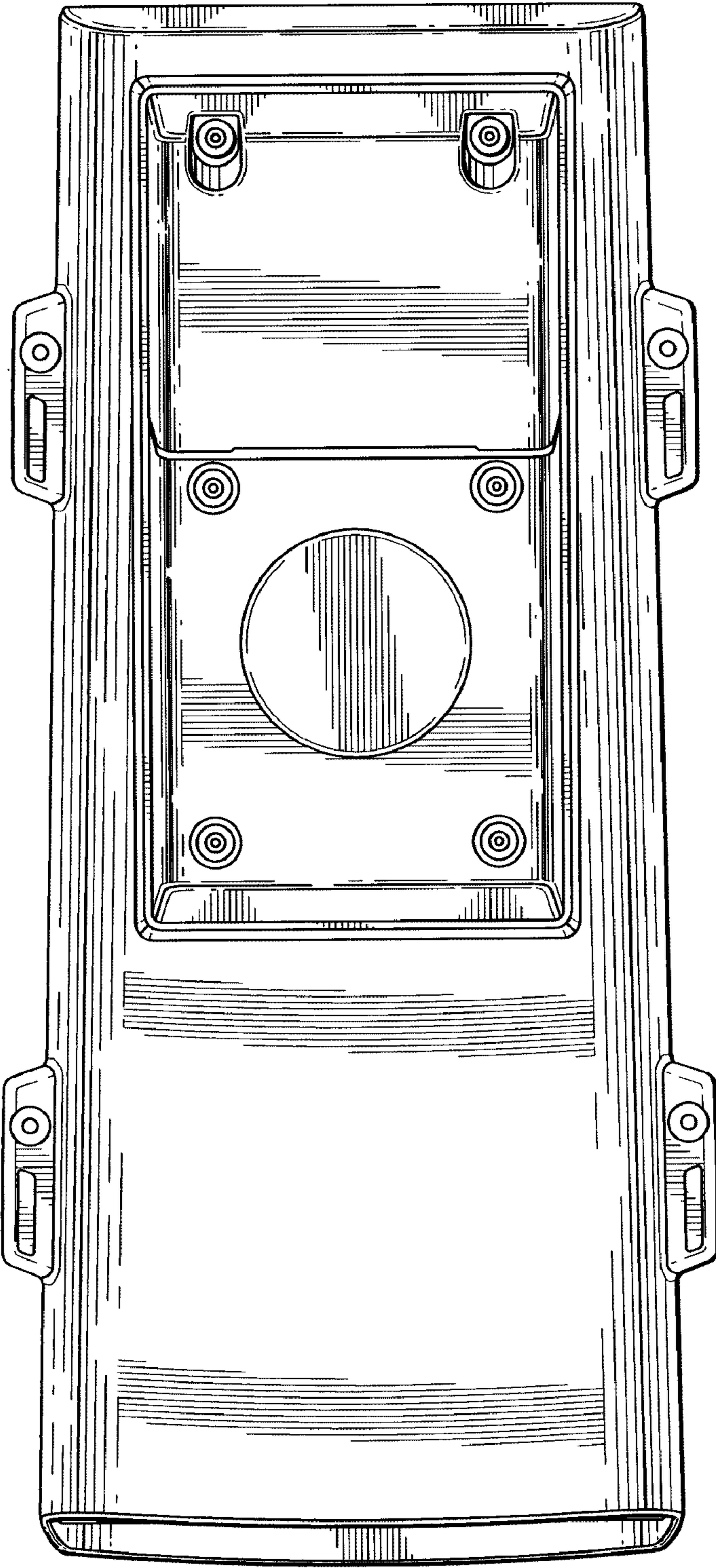


Fig. 7