



US00D642604S

(12) **United States Design Patent**
Rohrer et al.

(10) **Patent No.:** **US D642,604 S**

(45) **Date of Patent:** **** Aug. 2, 2011**

(54) **STATIONARY WELDING APPARATUS**

(75) Inventors: **Stefan Rohrer**, Sachsein (CH); **Andreas Fuerling**, Kerns (CH)

(73) Assignee: **Leister Process Technologies**,
Kaegiswil (CH)

(**) Term: **14 Years**

(21) Appl. No.: **29/384,770**

(22) Filed: **Feb. 3, 2011**

(30) **Foreign Application Priority Data**

Dec. 9, 2010 (EM) 001791104

(51) **LOC (9) Cl.** **15-09**

(52) **U.S. Cl.** **D15/144**

(58) **Field of Classification Search** D8/29.1,
D8/30; D13/133; D15/144, 144.1, 144.2;
219/125.1, 130, 130.5, 132, 133, 136, 241,
219/424, 606; 222/146.5, 152, 156, 189.06,
222/397; 228/8, 20, 51, 111.5; 248/95, 99,
248/129; 280/47.131, 47.19, 47.26, 47.27,
280/47.33, 47.34, 47.35, 79.5, 79.6, 79.7,
280/79.11, 79.2; 414/444, 448, 466, 469,
414/546

See application file for complete search history.

(56) **References Cited**

U.S. PATENT DOCUMENTS

4,440,588	A *	4/1984	Stevenson et al.	156/157
4,744,855	A *	5/1988	Ellenberger et al.	156/499
6,866,077	B2 *	3/2005	von Wyl et al.	156/391
7,094,298	B2 *	8/2006	Schwetz	156/71
D558,803	S *	1/2008	Gisler et al.	D15/144
D621,430	S *	8/2010	Christen et al.	D15/144

* cited by examiner

Primary Examiner — Patricia Palasik

(74) *Attorney, Agent, or Firm* — Bachman & LaPointe, P.C.

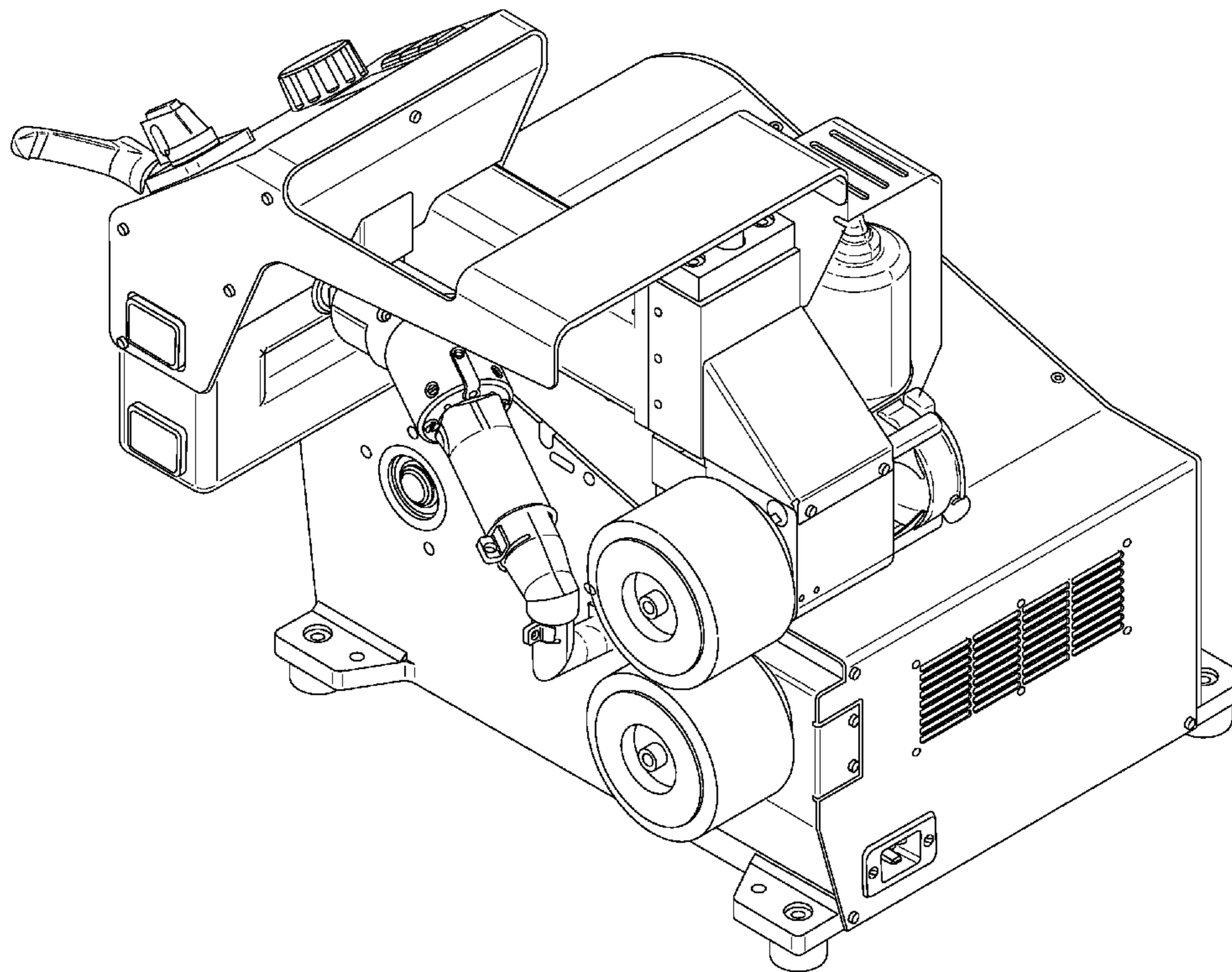
(57) **CLAIM**

The ornamental design of the stationary welding apparatus, as shown.

DESCRIPTION

FIG. 1 is a perspective view showing the ornamental design of a stationary welding apparatus according to the present invention;
FIG. 2 is an end view of the stationary welding apparatus of FIG. 1;
FIG. 3 is a side view of the stationary welding apparatus of FIG. 1;
FIG. 4 is a top view of the stationary welding apparatus of FIG. 1;
FIG. 5 is another side view of the stationary welding apparatus of FIG. 1;
FIG. 6 is a bottom view of the stationary welding apparatus of FIG. 1; and,
FIG. 7 is another end view of the stationary welding apparatus of FIG. 1.

1 Claim, 7 Drawing Sheets



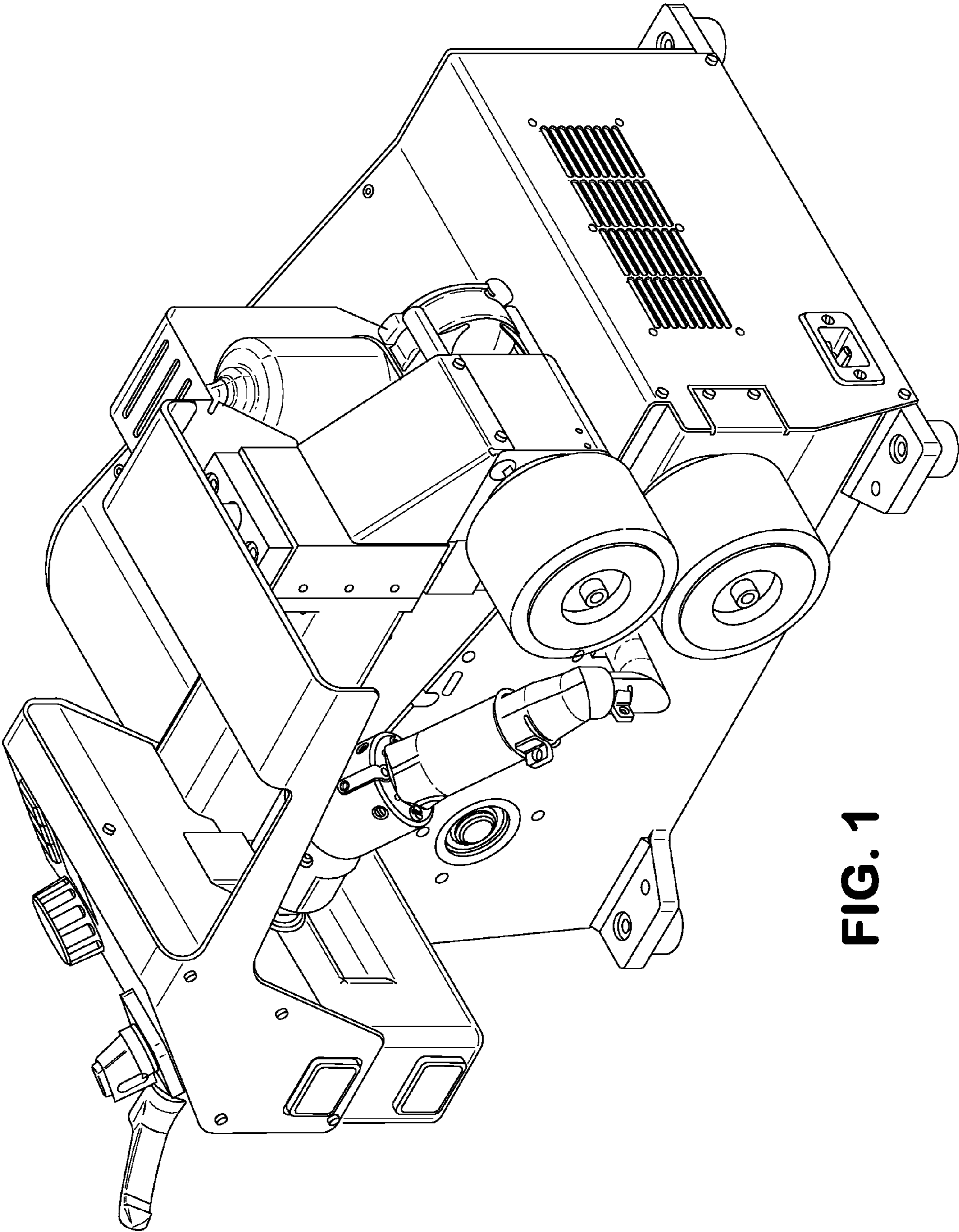


FIG. 1

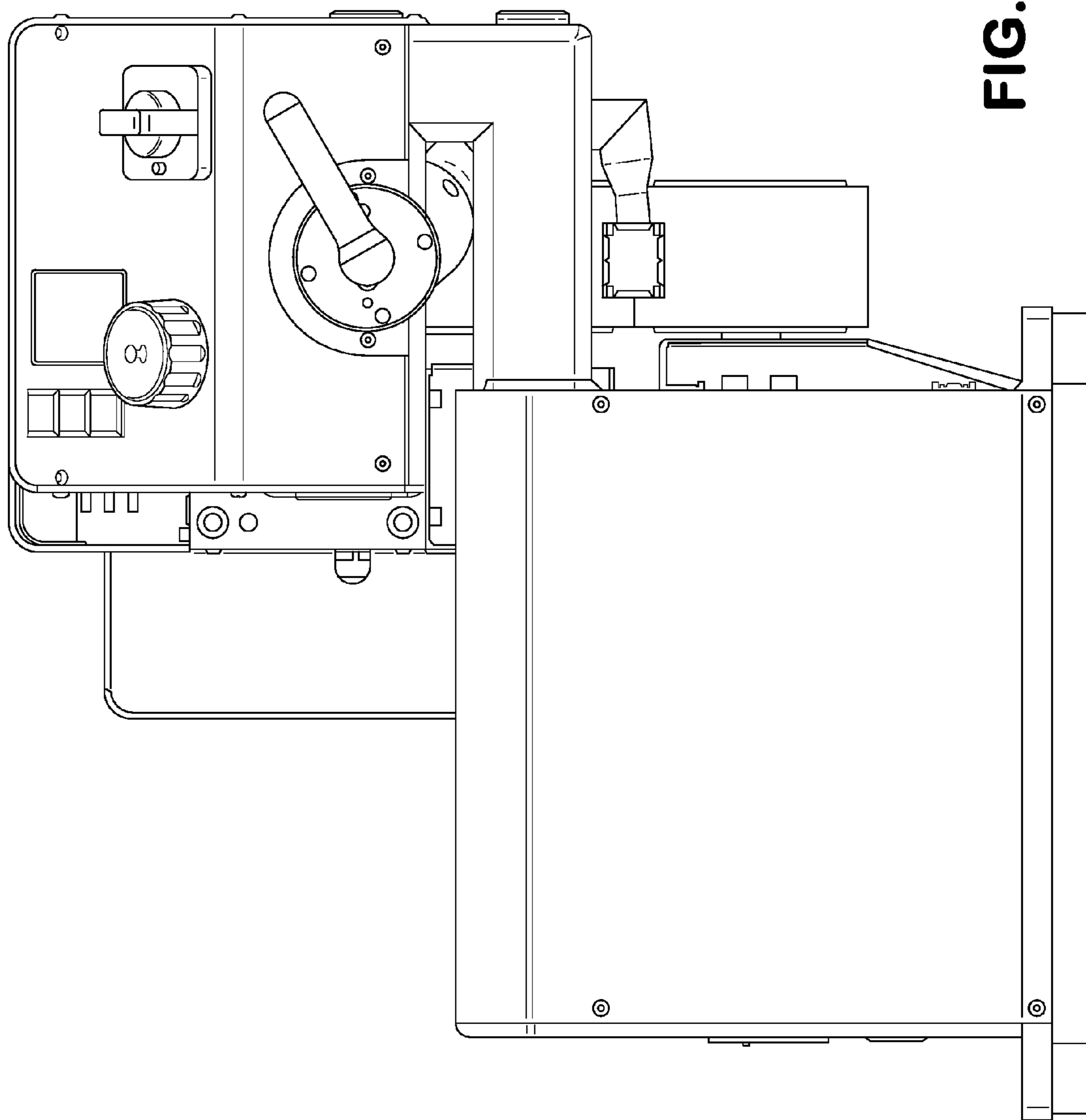


FIG. 2

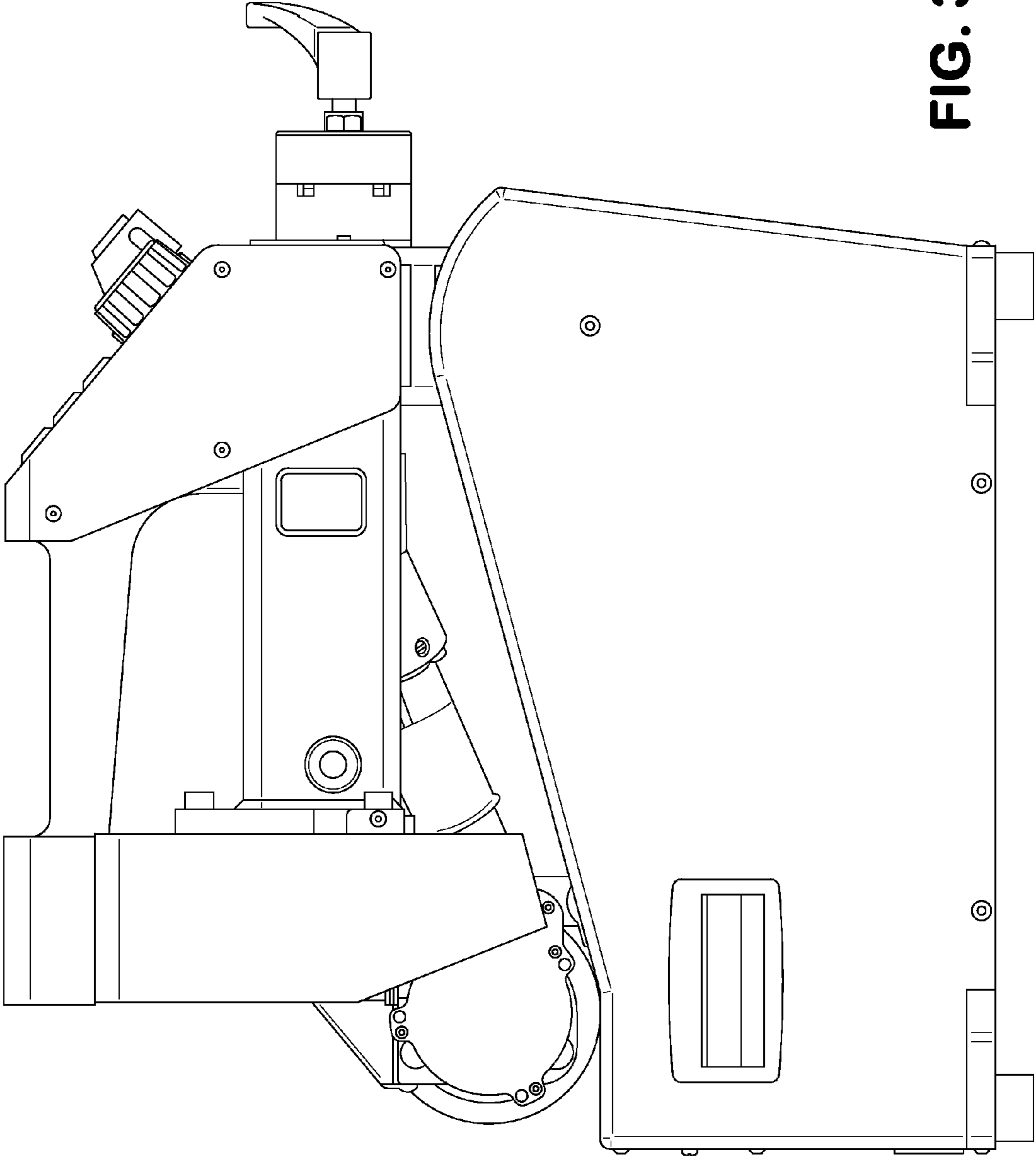


FIG. 3

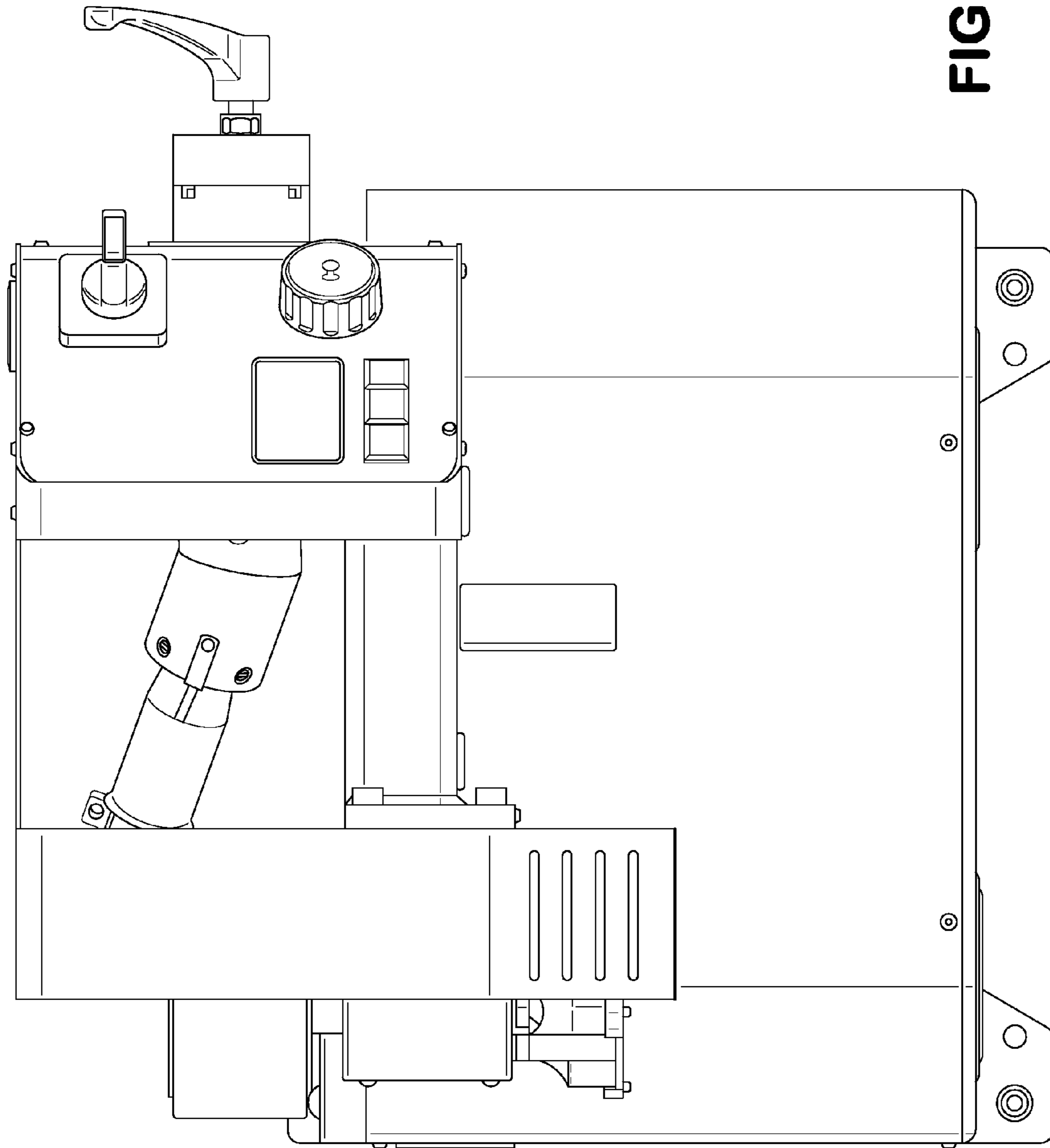


FIG. 4

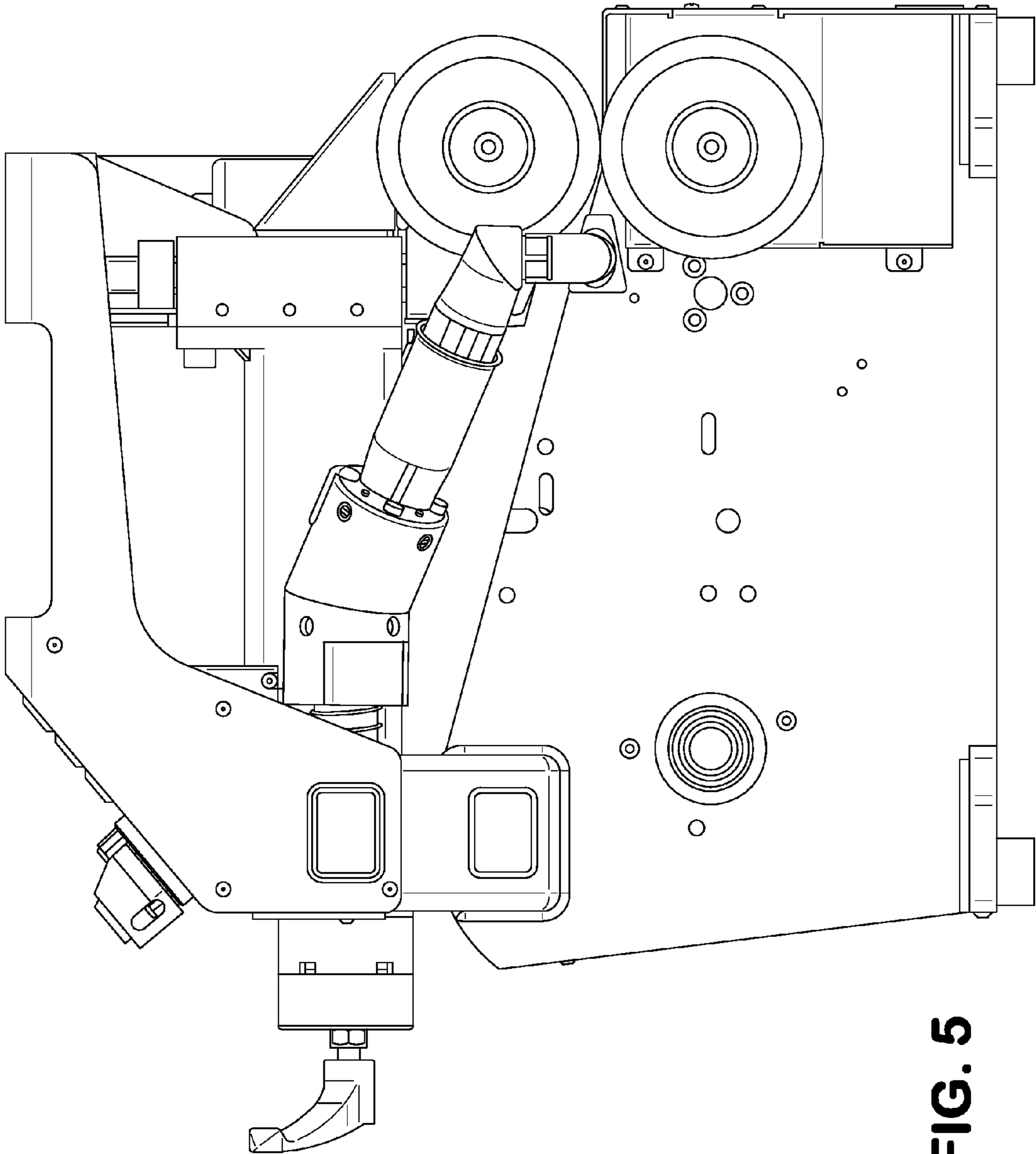


FIG. 5

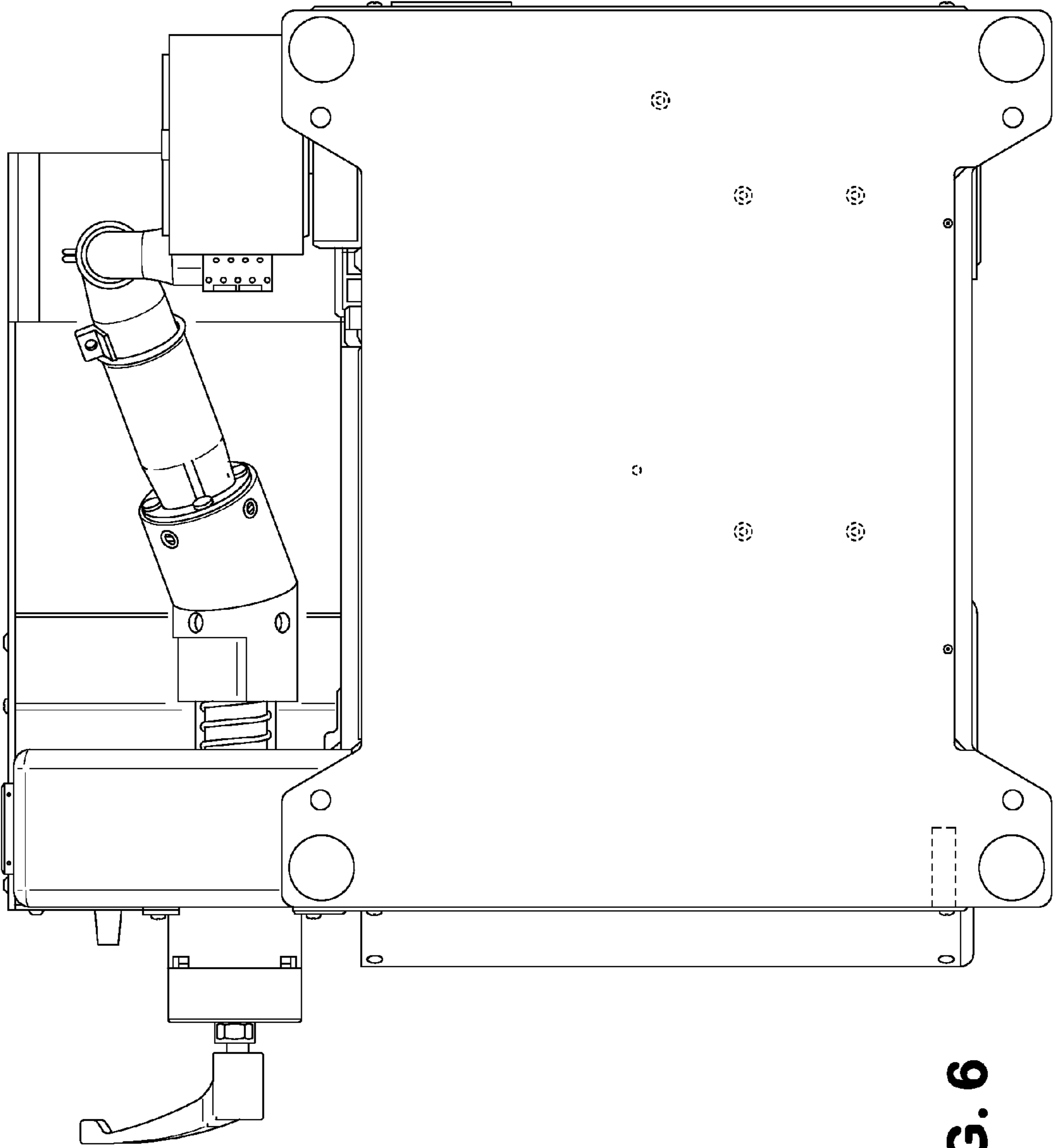


FIG. 6

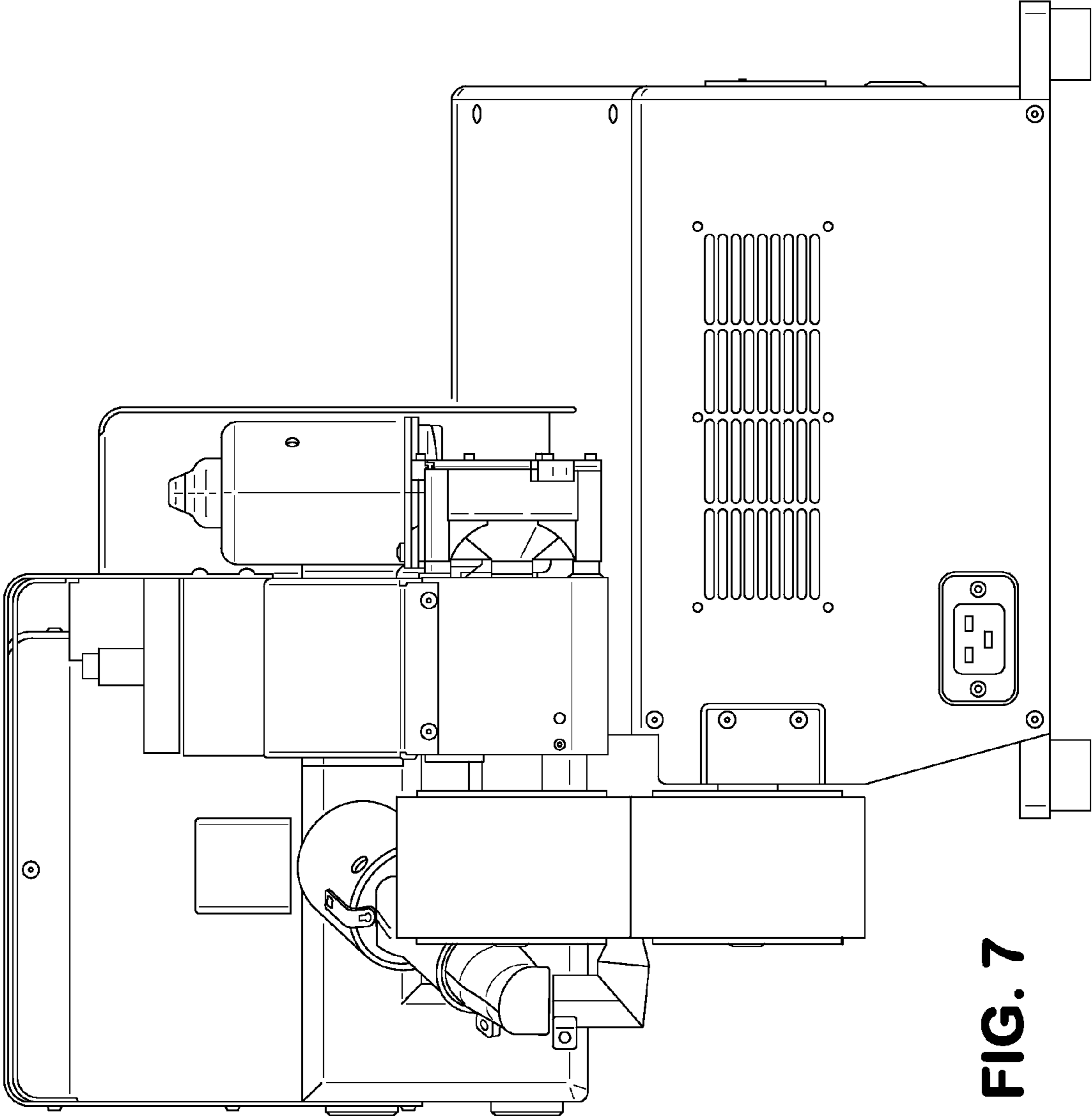


FIG. 7