



US00D642600S

(12) **United States Design Patent**  
**Kristiansen et al.**

(10) **Patent No.:** **US D642,600 S**

(45) **Date of Patent:** **\*\* \*Aug. 2, 2011**

(54) **REFRIGERATOR**

(75) Inventors: **Keith Kristiansen**, Edgewater, NJ (US);  
**Roland Charriez**, Edgewater, NJ (US);  
**David Demar**, Edgewater, NJ (US)

(73) Assignee: **LG Electronics Inc.**, Seoul (KR)

(\*\*) Term: **14 Years**

(21) Appl. No.: **29/340,391**

(22) Filed: **Jul. 17, 2009**

(51) **LOC (9) Cl.** ..... **15-07**

(52) **U.S. Cl.** ..... **D15/86; D15/87**

(58) **Field of Classification Search** ..... D15/79,  
D15/81, 85, 86, 87, 88; 312/400-408; 62/3.6,  
62/3.61-3.64, 236, 246, 440, 531  
See application file for complete search history.

(56) **References Cited**

**U.S. PATENT DOCUMENTS**

D495,719 S *	9/2004	Kirchner et al. ....	D15/86
D508,059 S *	8/2005	Seok et al. ....	D15/86
D508,925 S *	8/2005	Seok et al. ....	D15/86
D508,926 S *	8/2005	Seok et al. ....	D15/86
D522,540 S *	6/2006	Cho et al. ....	D15/86
D556,223 S *	11/2007	Wang et al. ....	D15/86
D557,292 S *	12/2007	Lee et al. ....	D15/86
D570,884 S *	6/2008	Yang et al. ....	D15/86
D594,886 S *	6/2009	Wang et al. ....	D15/86
D614,208 S *	4/2010	Seo et al. ....	D15/86
D615,109 S *	5/2010	Yang et al. ....	D15/86

\* cited by examiner

*Primary Examiner* — Shanda C Hill

(74) *Attorney, Agent, or Firm* — Morgan, Lewis & Bockius LLP

(57) **CLAIM**

The ornamental design for a refrigerator, as shown and described.

**DESCRIPTION**

FIG. 1 is a perspective view of a refrigerator showing our new design;

FIG. 2 is a front view thereof;

FIG. 3 is a rear view thereof;

FIG. 4 is a left side view thereof;

FIG. 5 is a right side view thereof;

FIG. 6 is a top plan view thereof;

FIG. 7 is a bottom plan view thereof;

FIG. 8 is a perspective view thereof, shown in a first alternate position;

FIG. 9 is a perspective view thereof, shown in a second alternate position; and,

FIG. 10 is a perspective view thereof, shown in third alternate position.

The broken lines shown in the drawing disclosure are for illustrative purposes only and form no part of the claimed design.

**1 Claim, 9 Drawing Sheets**

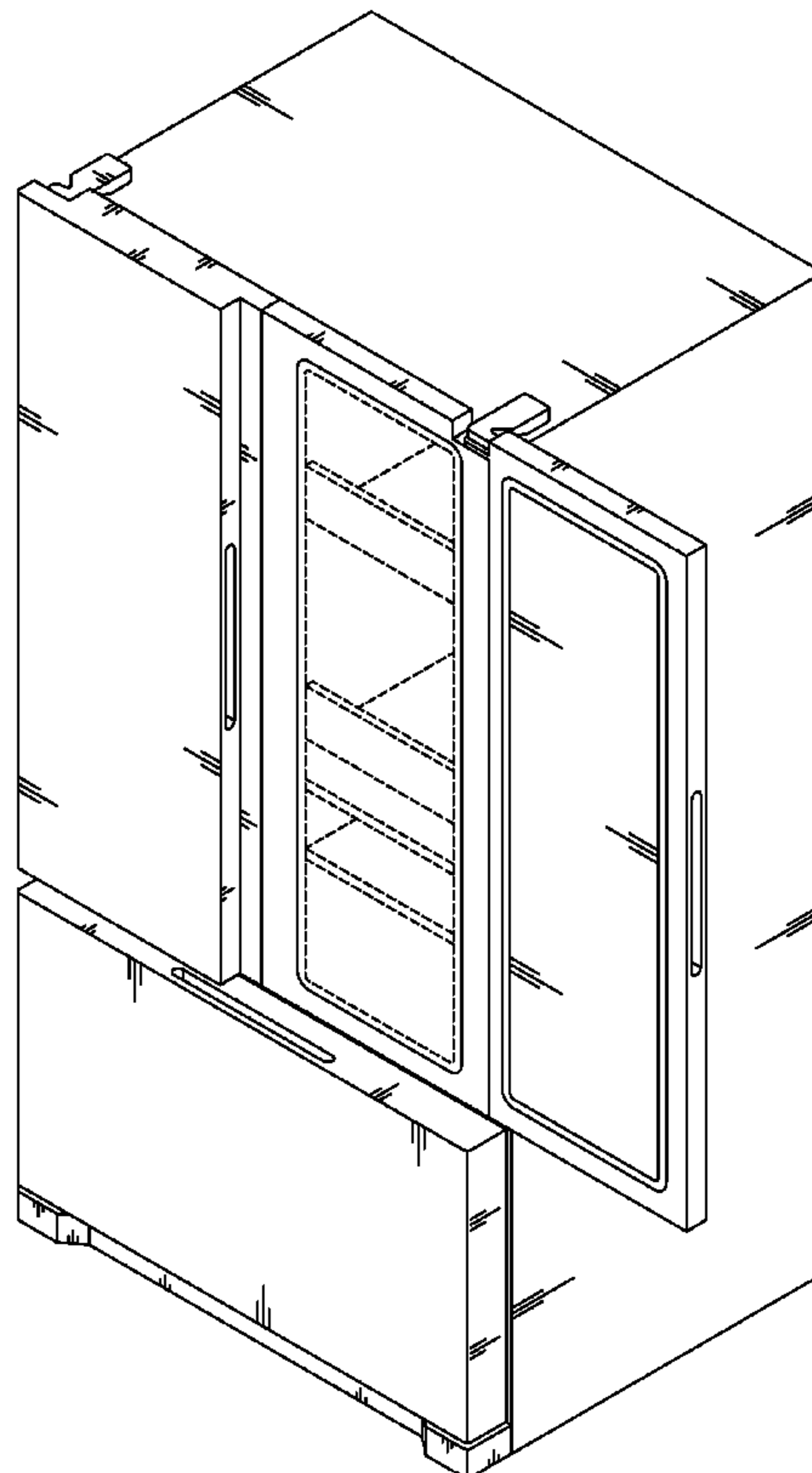


FIG. 1

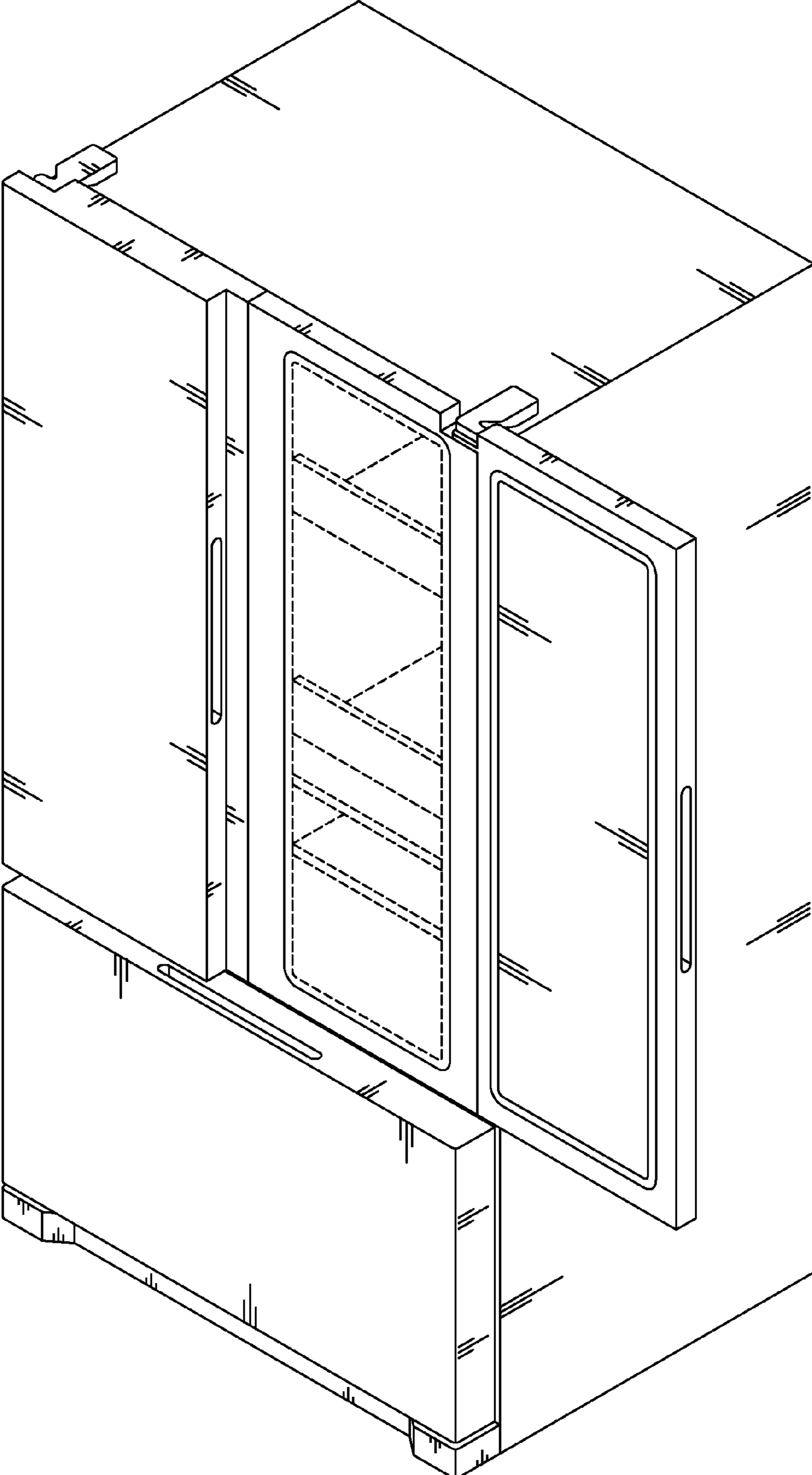


FIG. 2

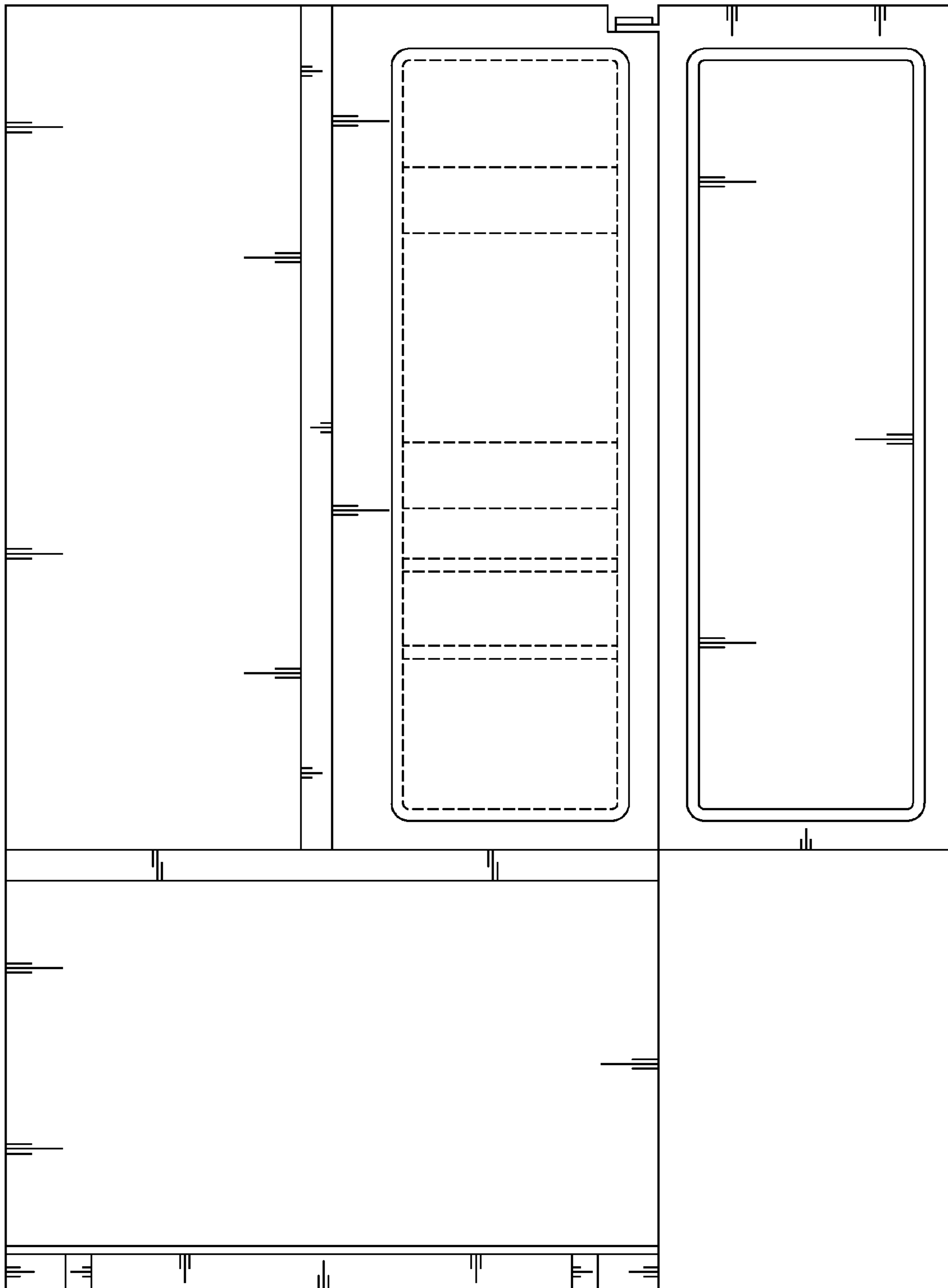


FIG. 3

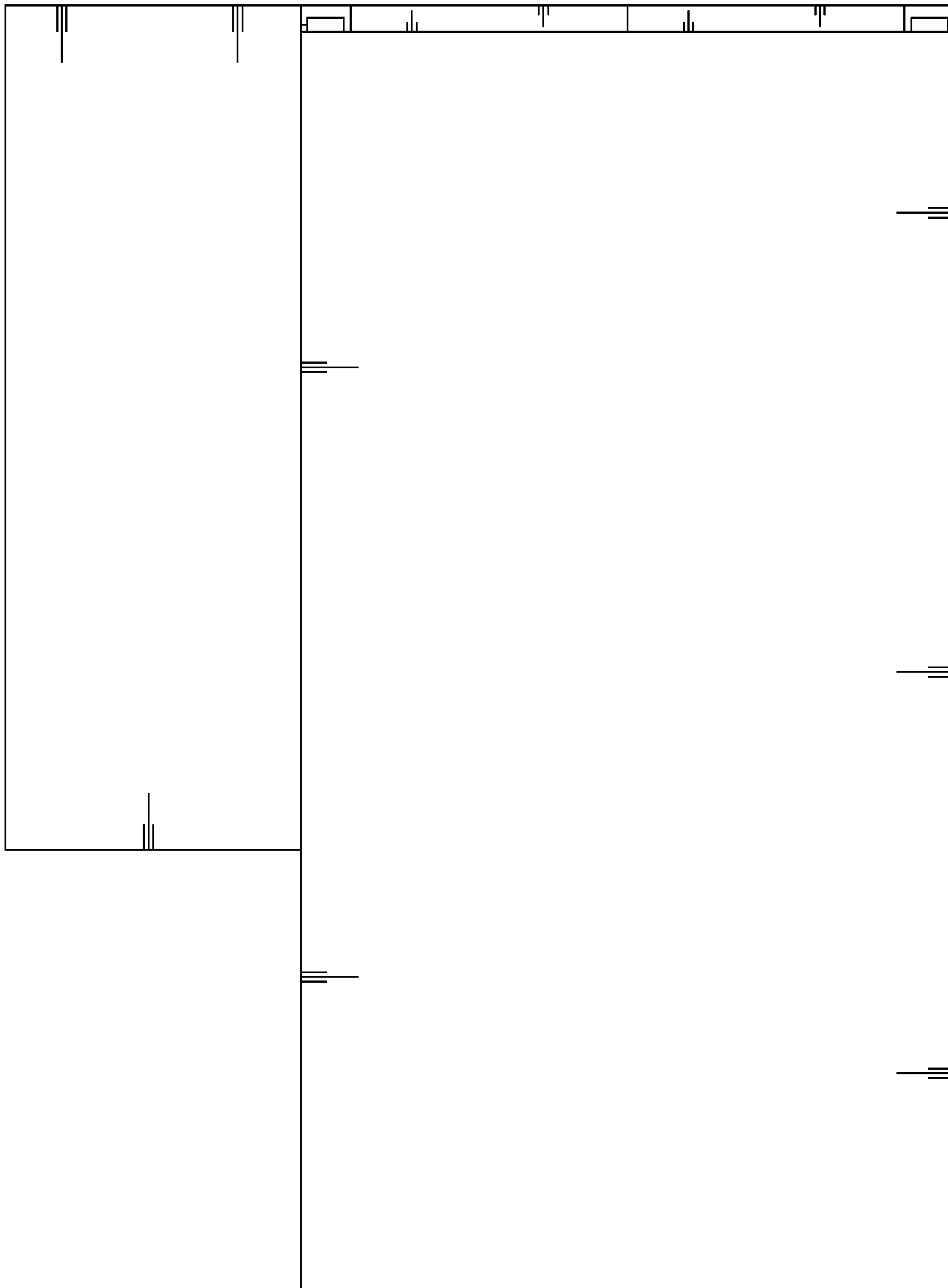


FIG. 4

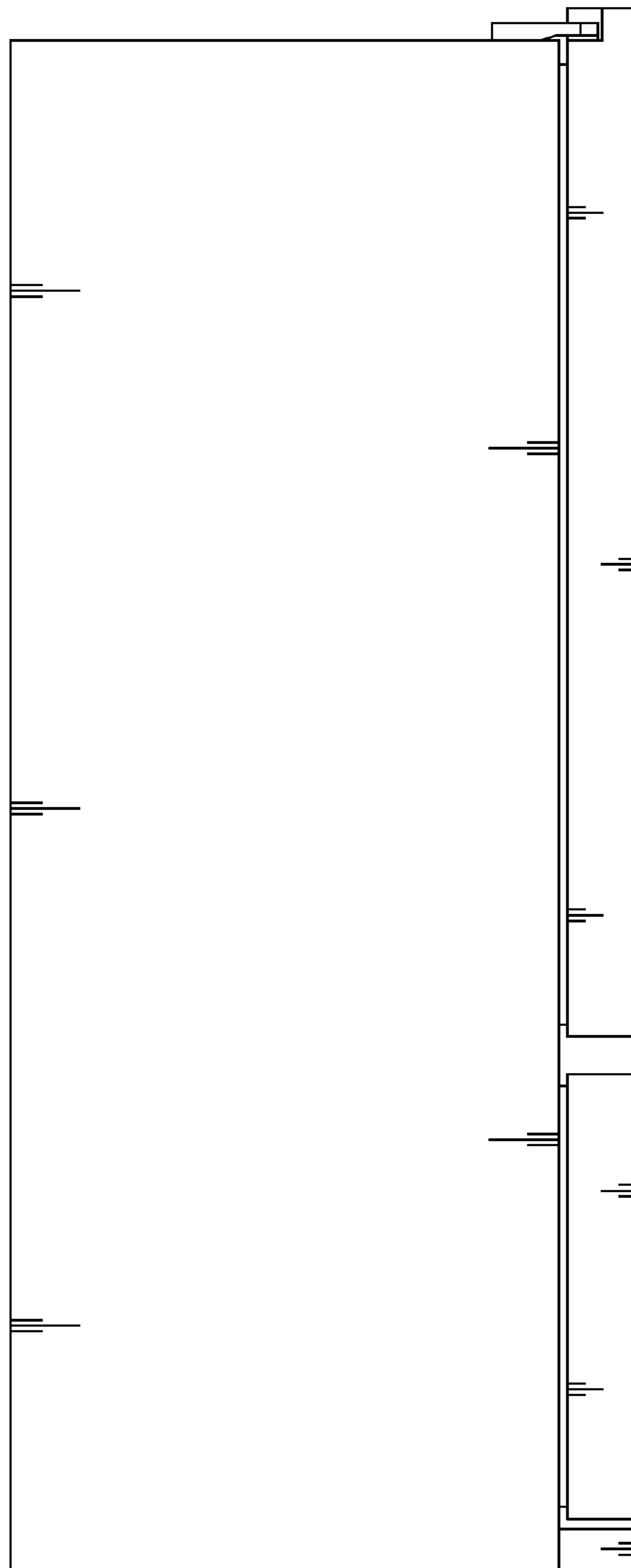


FIG. 5

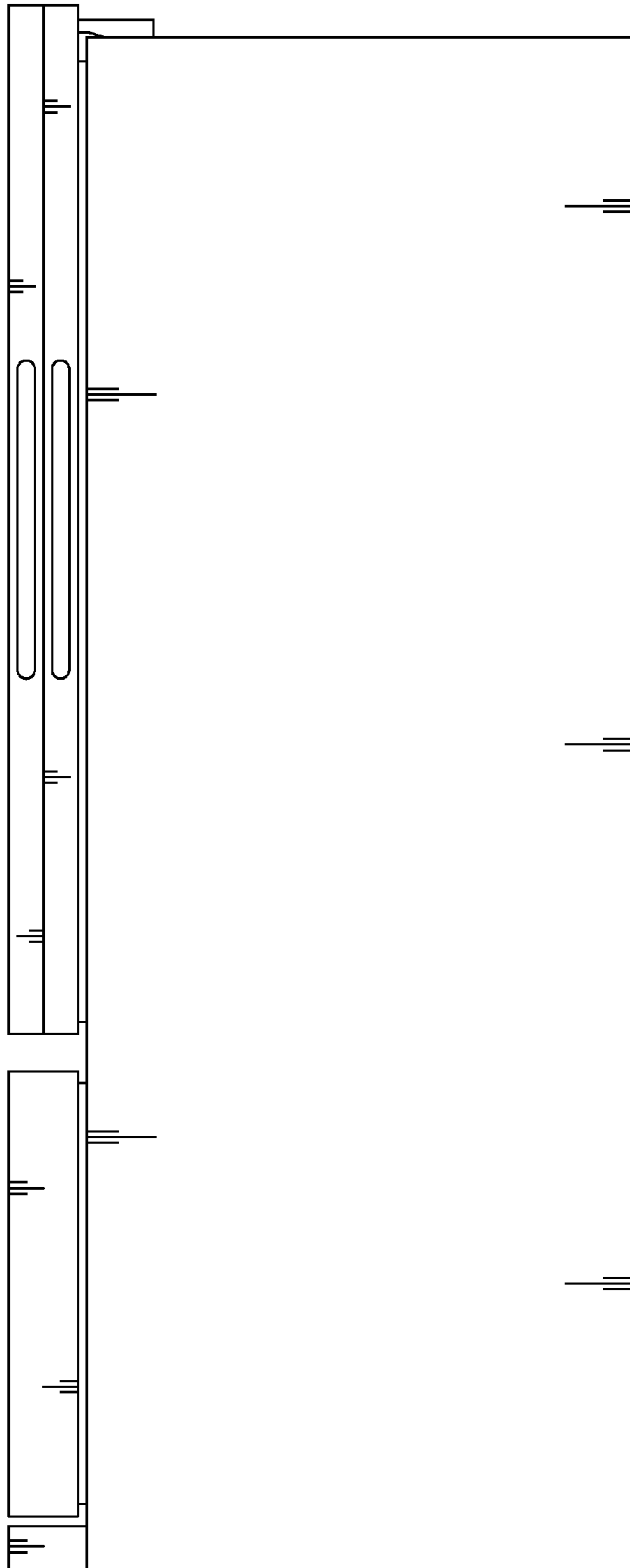


FIG. 6

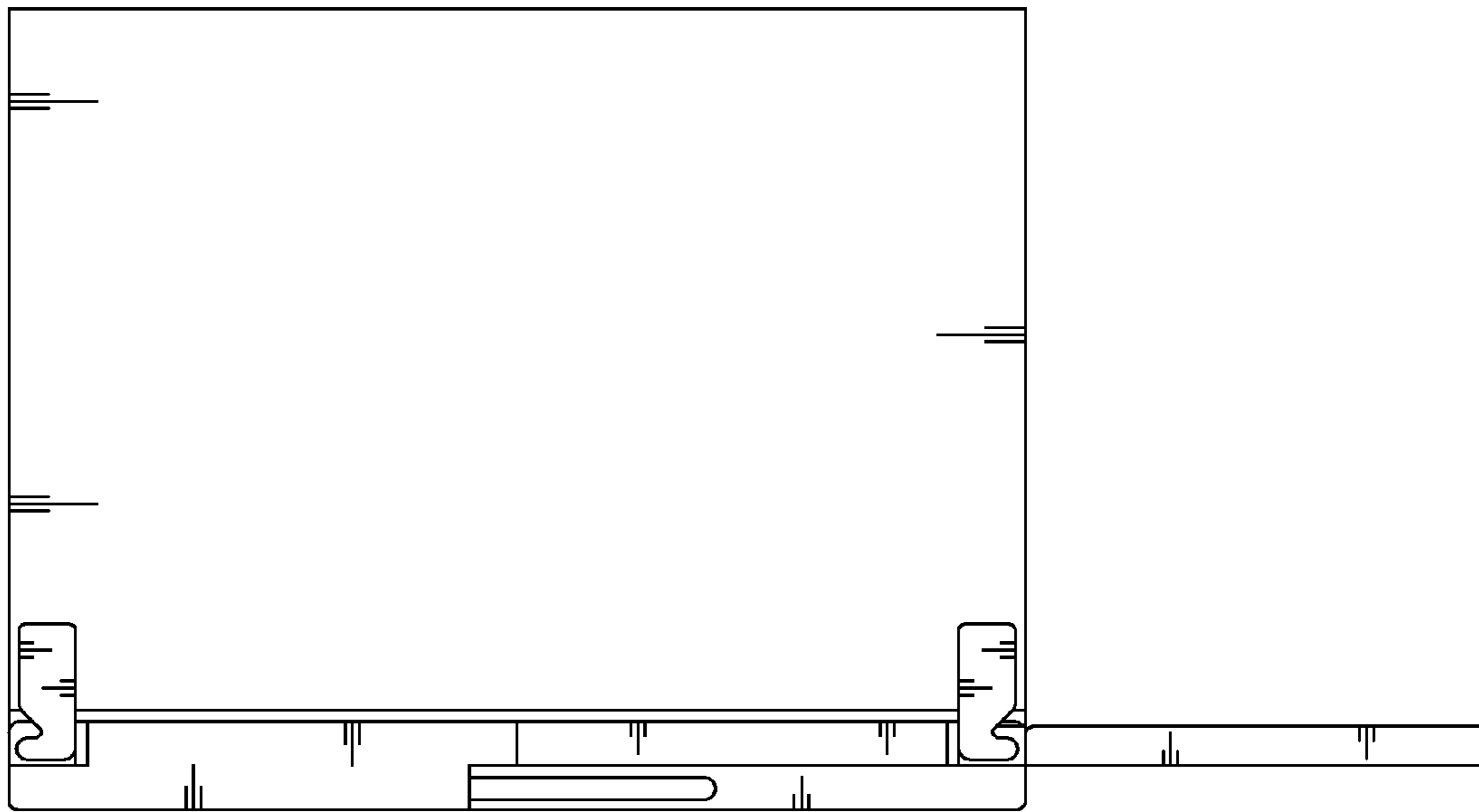


FIG. 7

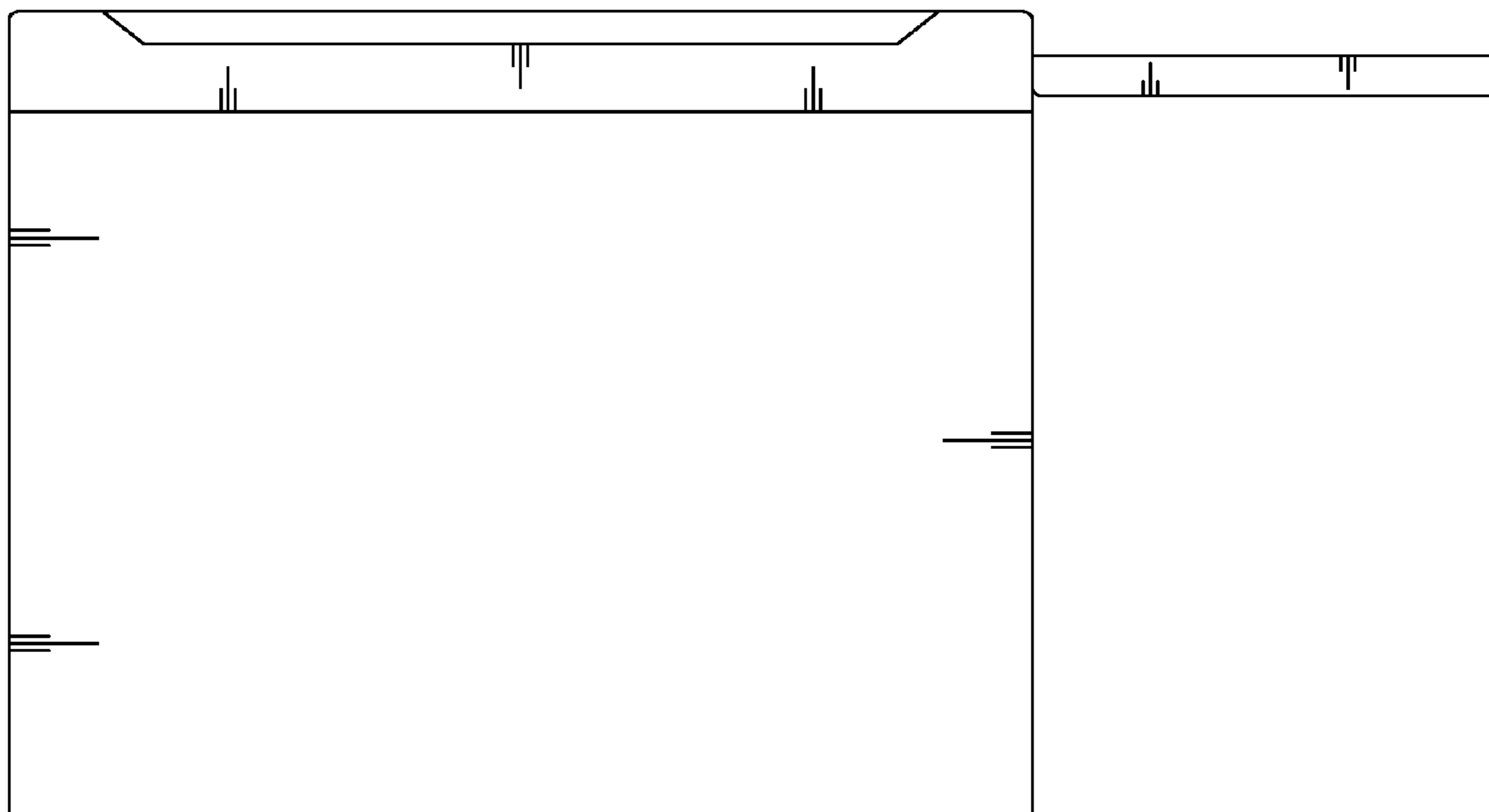


FIG. 8

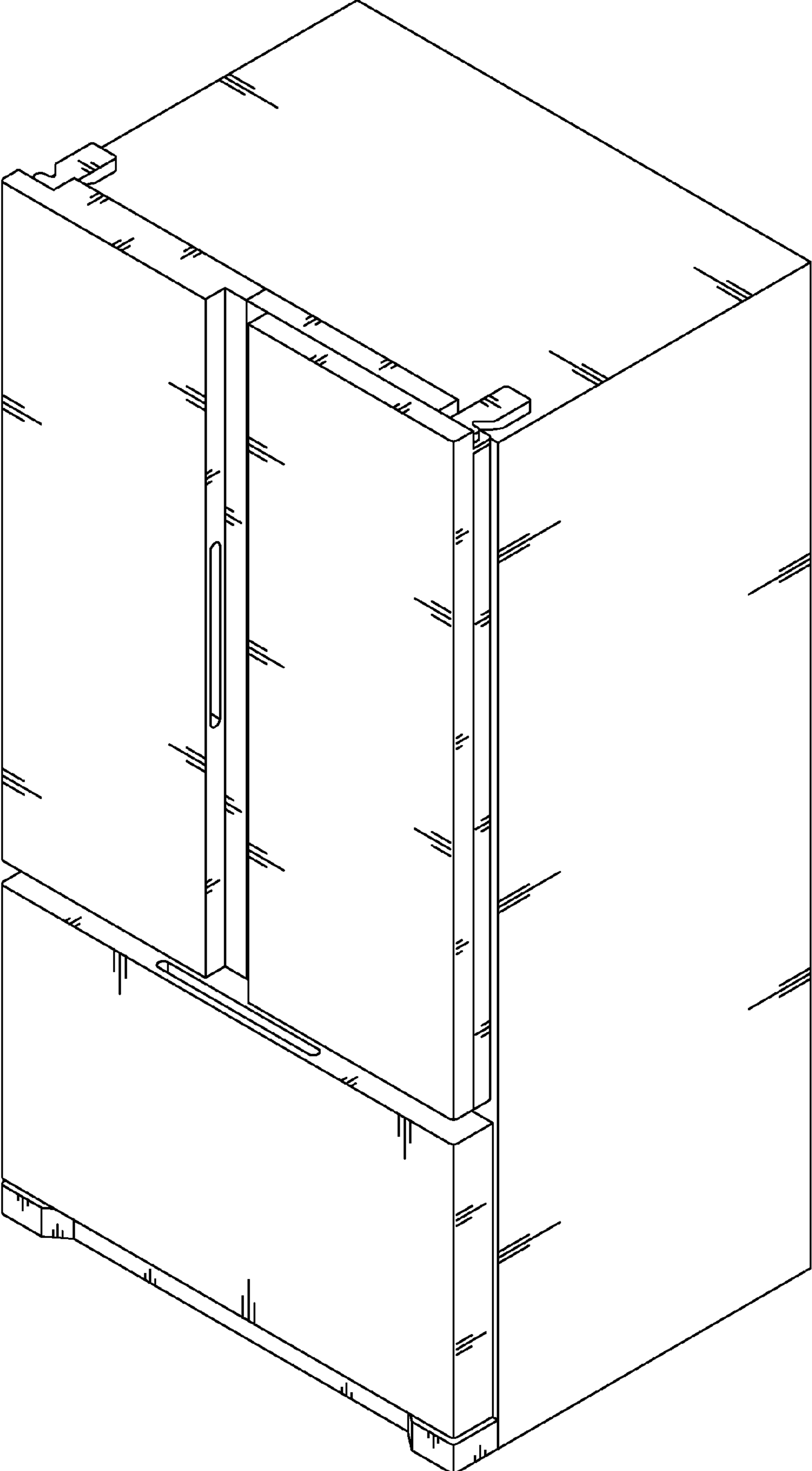




FIG. 9

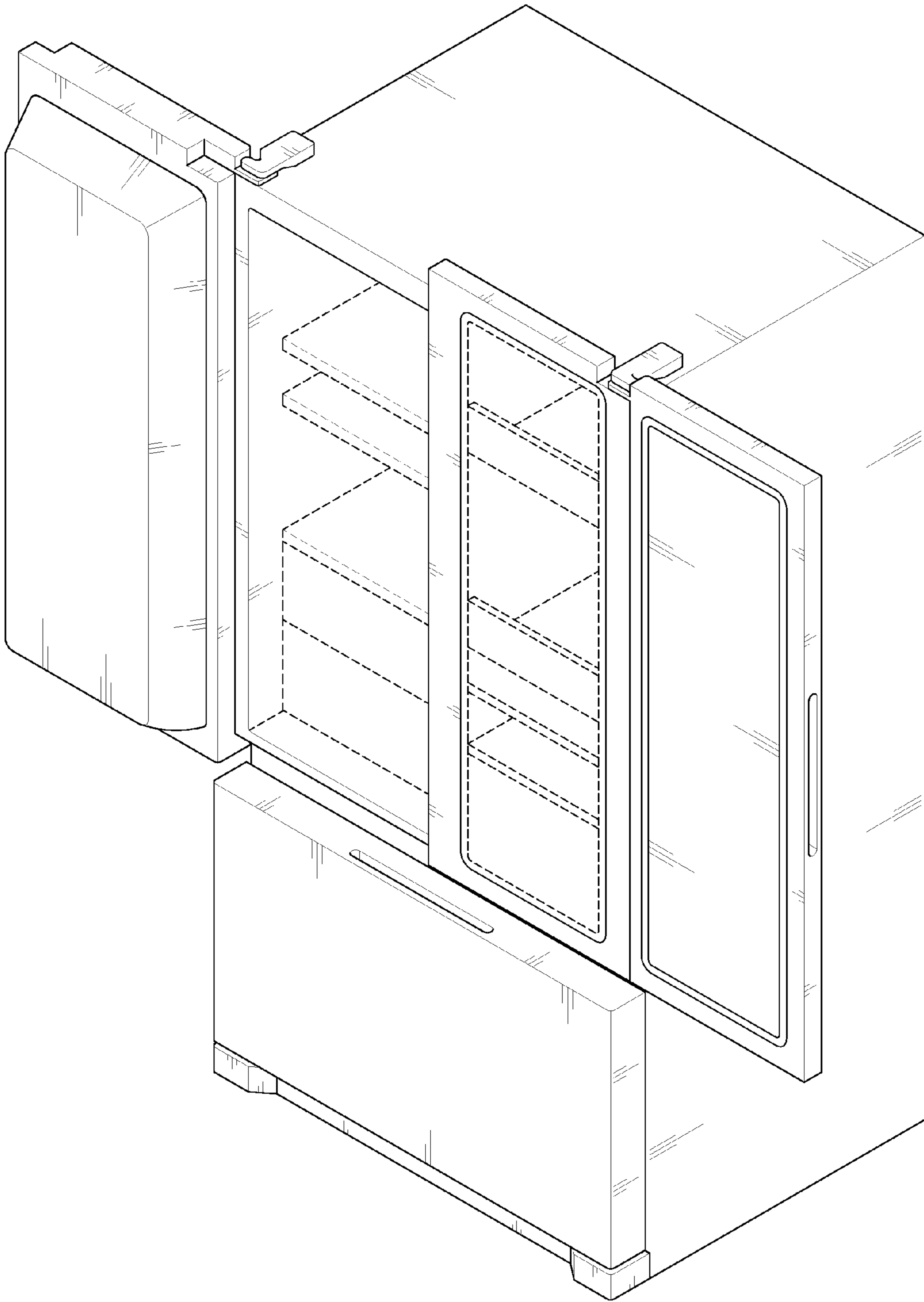


FIG. 10

