

US00D642598S

(12) **United States Design Patent**
Wikner et al.

(10) **Patent No.:** **US D642,598 S**

(45) **Date of Patent:** **** Aug. 2, 2011**

(54) **ENGINE ENCLOSURE**

(75) Inventors: **Aaron D. Wikner**, Cedar Falls, IA (US);
Dean A. Boyce, Waterloo, IA (US);
Brian T. Brown, Waterloo, IA (US);
Michael Deininger, Ann Arbor, MI
(US); **William E. Crookes**, Ann Arbor,
MI (US); **Bernard M. Gruman**, Harpers
Ferry, IA (US)

(73) Assignee: **Deere & Company**, Moline, IL (US)

(**) Term: **14 Years**

(21) Appl. No.: **29/383,646**

(22) Filed: **Jan. 20, 2011**

(51) **LOC (9) Cl.** **15-03**

(52) **U.S. Cl.** **D15/31**

(58) **Field of Classification Search** D15/10,
D15/11, 13-17, 28, 22-26, 31; D12/173;
56/13.3, 13.4, 15.8, 15.9, 320.1; 180/89.1,
180/89.12, 900, 69.2, 68.1, 69.1

See application file for complete search history.

(56) **References Cited**

U.S. PATENT DOCUMENTS

D246,370 S * 11/1977 Lorenz D15/31
D297,330 S * 8/1988 Monehaie et al. D15/31
D371,372 S * 7/1996 Westimayer et al. D15/31
D381,025 S * 7/1997 Bataille D15/31
D383,470 S * 9/1997 Westimayer et al. D15/31

D389,492 S * 1/1998 Schmidt et al. D15/31
5,803,198 A * 9/1998 Baxter et al. 180/69.21
D413,905 S * 9/1999 Schmidt et al. D15/31
6,167,977 B1 * 1/2001 Adamson et al. 180/69.2
D448,037 S * 9/2001 Westimayer et al. D15/31
D483,383 S * 12/2003 Crookes et al. D15/31
D488,488 S * 4/2004 Montgomery et al. D15/31
D488,489 S * 4/2004 Montgomery et al. D15/31
D554,669 S * 11/2007 Crookes et al. D15/31
D560,693 S * 1/2008 Moen et al. D15/31
D570,382 S * 6/2008 Higashikawa D15/31
D591,777 S * 5/2009 Kokitkar et al. D15/31

* cited by examiner

Primary Examiner — Mark Goodwin

(57) **CLAIM**

The ornamental design for an engine enclosure, as shown and described.

DESCRIPTION

FIG. 1 is a top left perspective view of an engine enclosure showing our new design.

FIG. 2 is a right perspective view thereof.

FIG. 3 is a front view thereof.

FIG. 4 is a rear view thereof.

FIG. 5 is a left side view thereof.

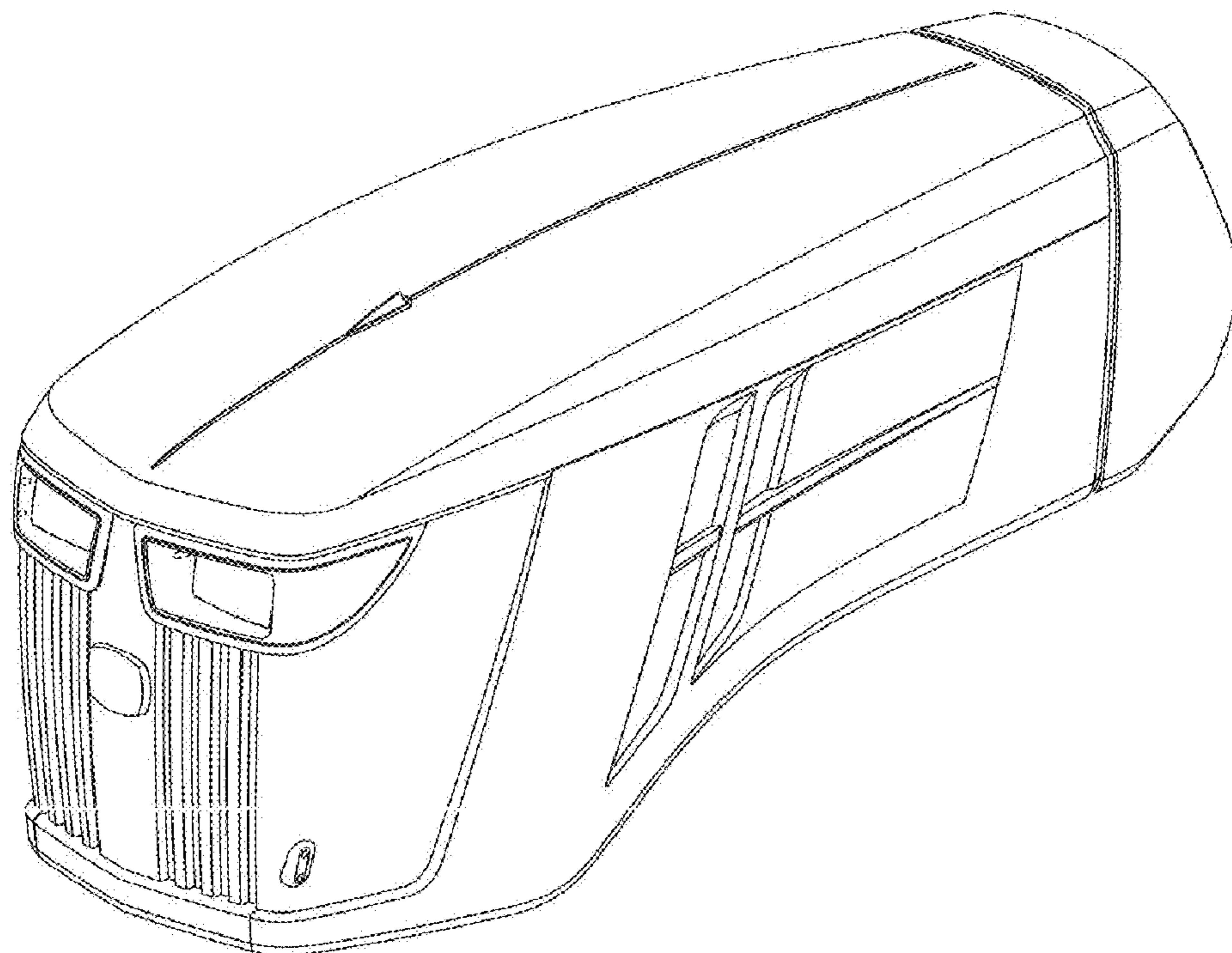
FIG. 6 is a right side view thereof.

FIG. 7 is a top plan view thereof; and,

FIG. 8 is a bottom plan view thereof.

The broken line showing of interior structure is included for the purpose of illustrating portions of an engine enclosure and forms no part of the claimed design.

1 Claim, 7 Drawing Sheets



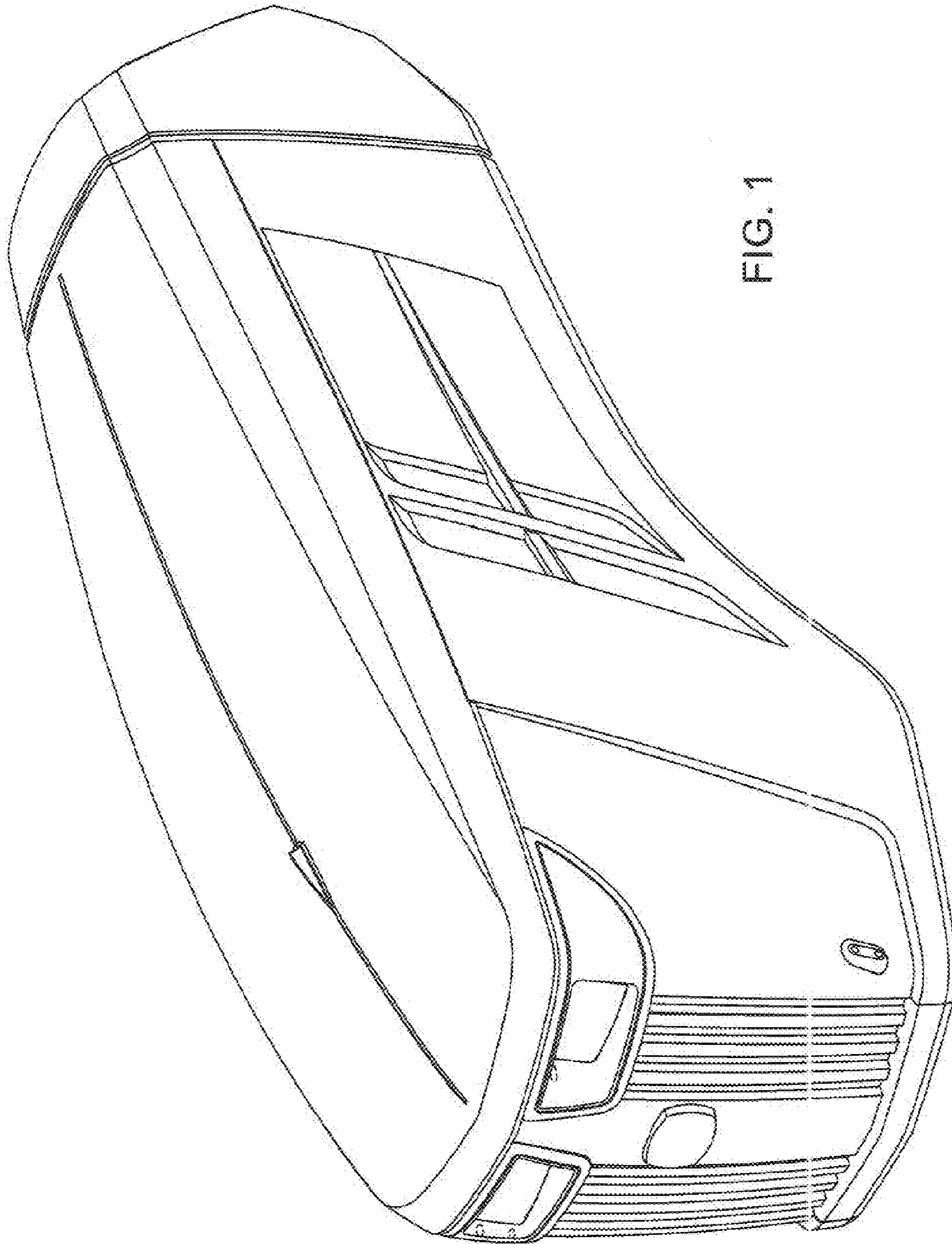


FIG. 1

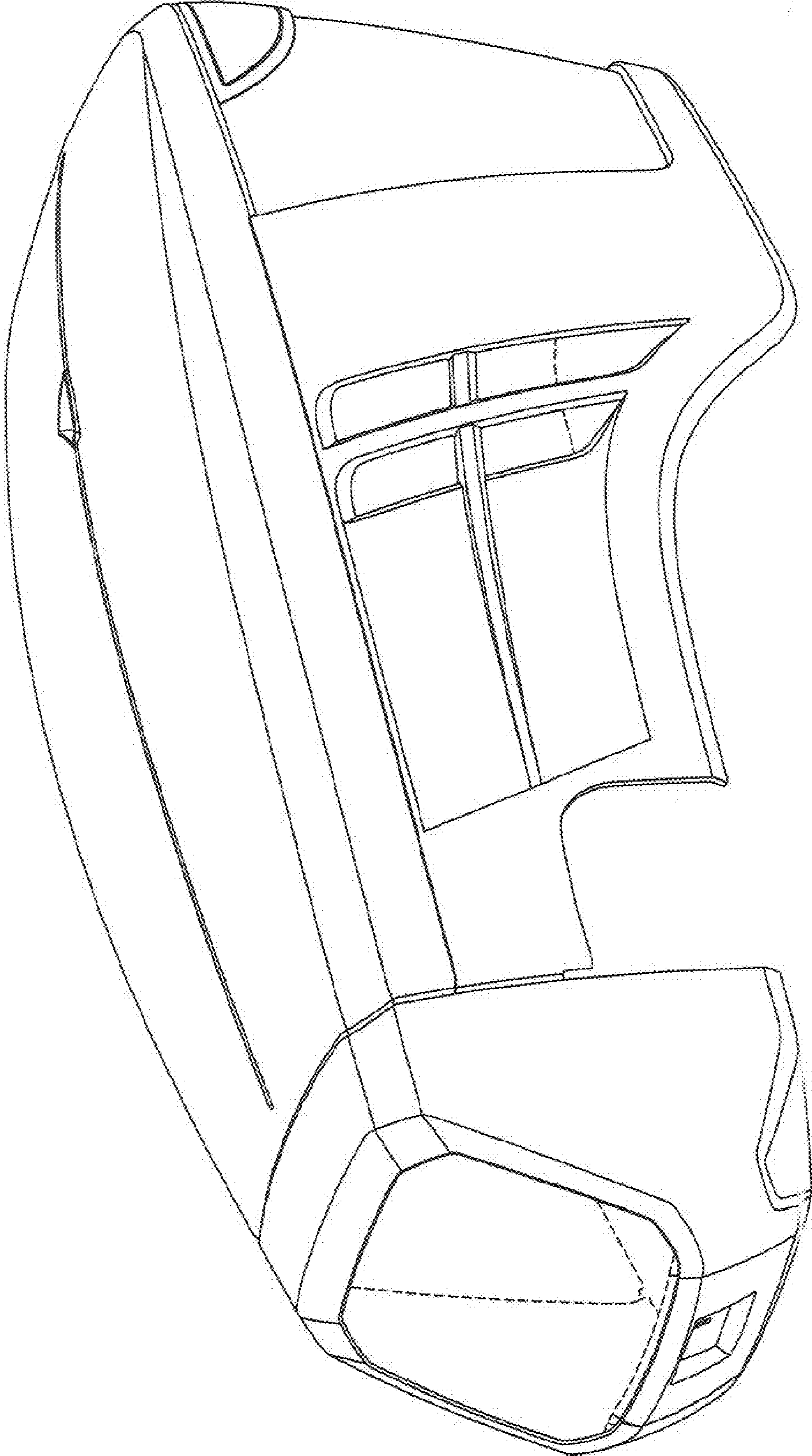


FIG. 2

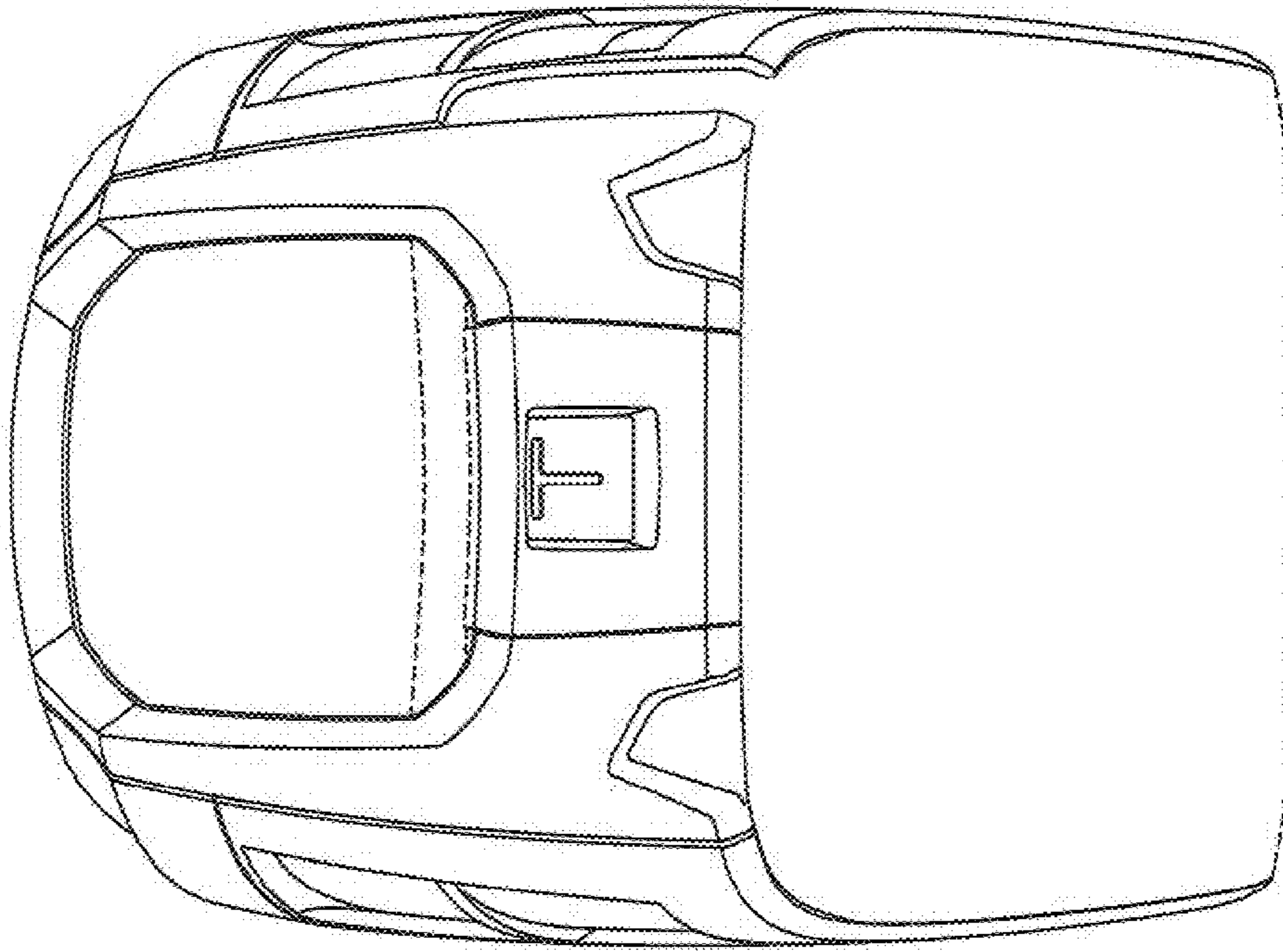


FIG. 4

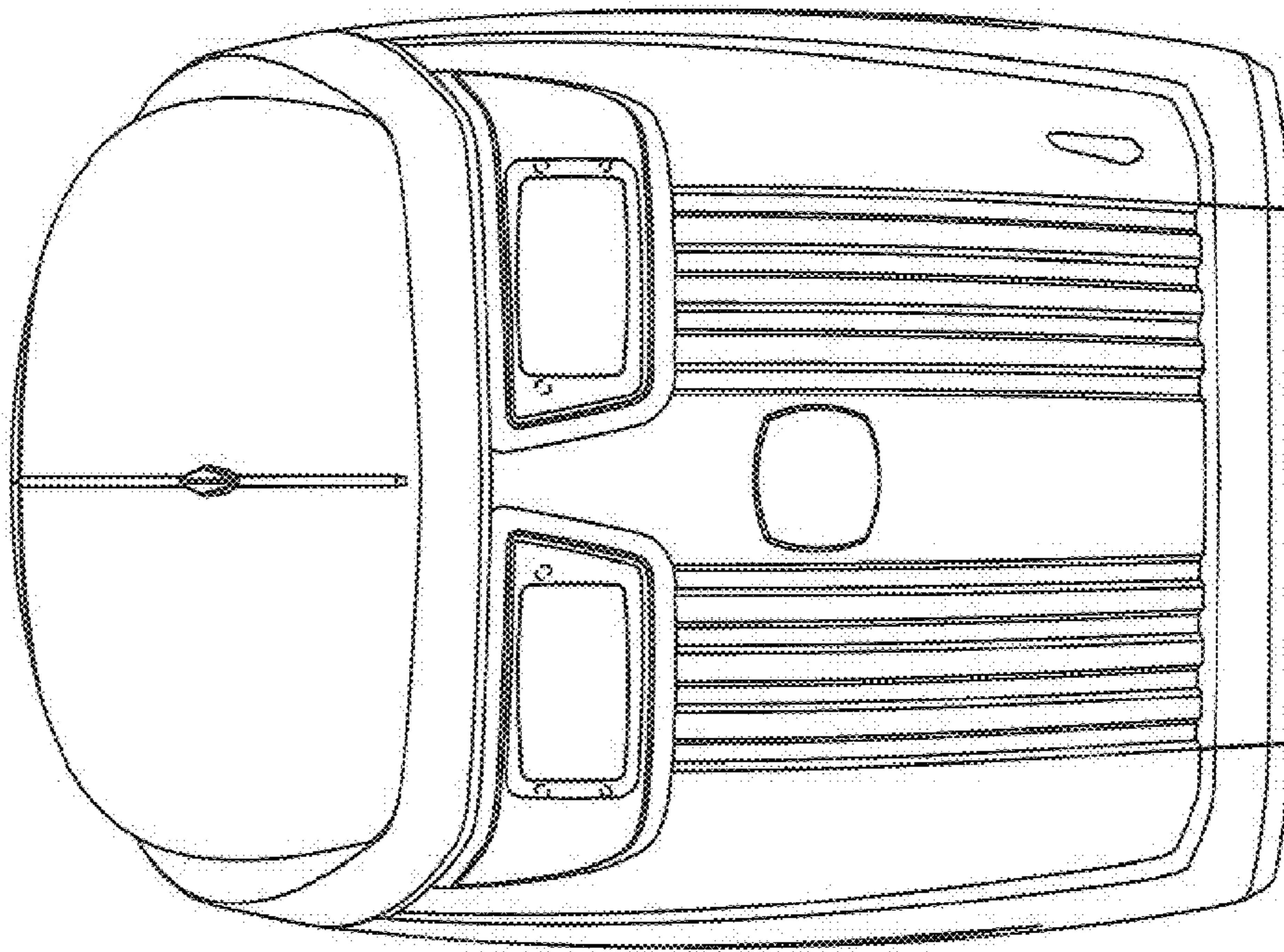


FIG. 3

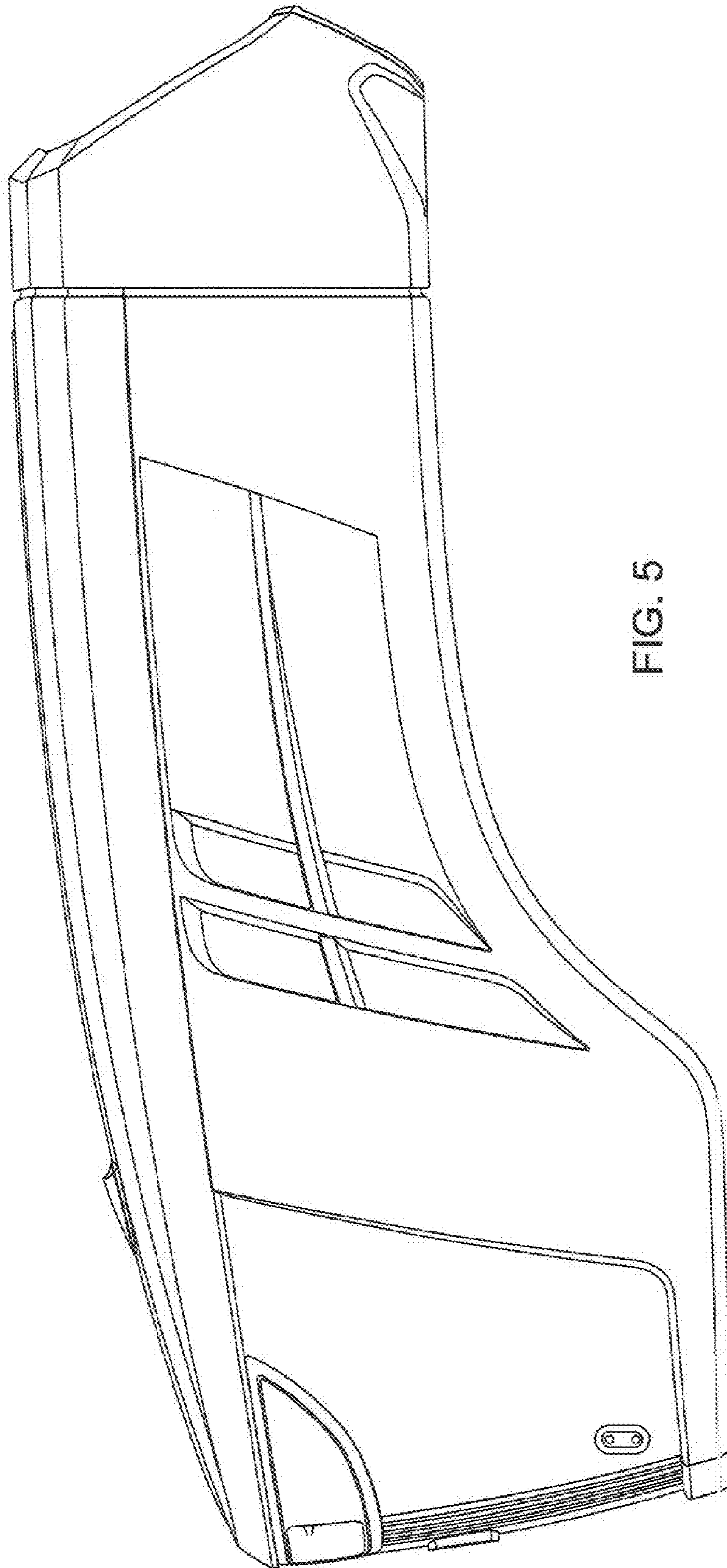


FIG. 5

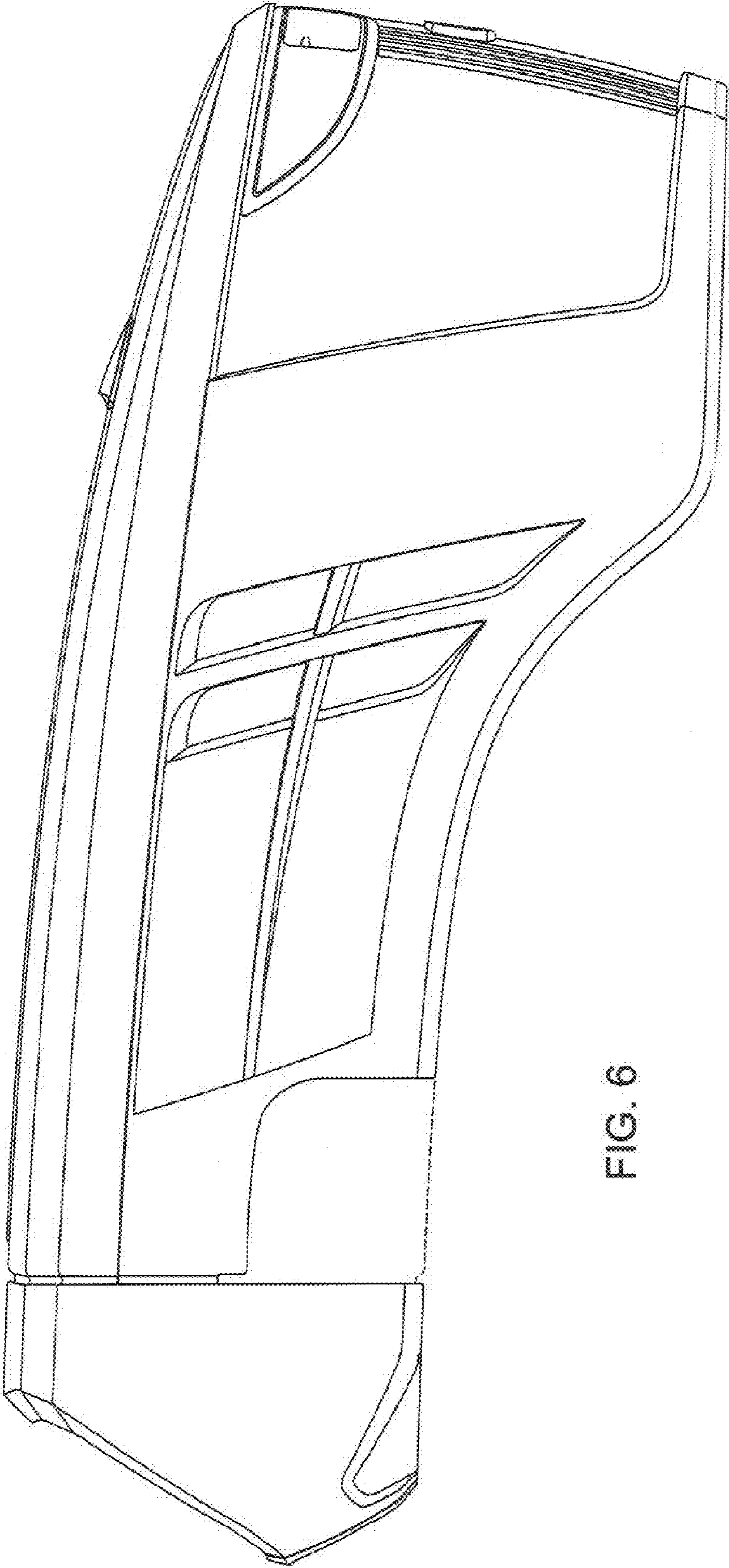


FIG. 6

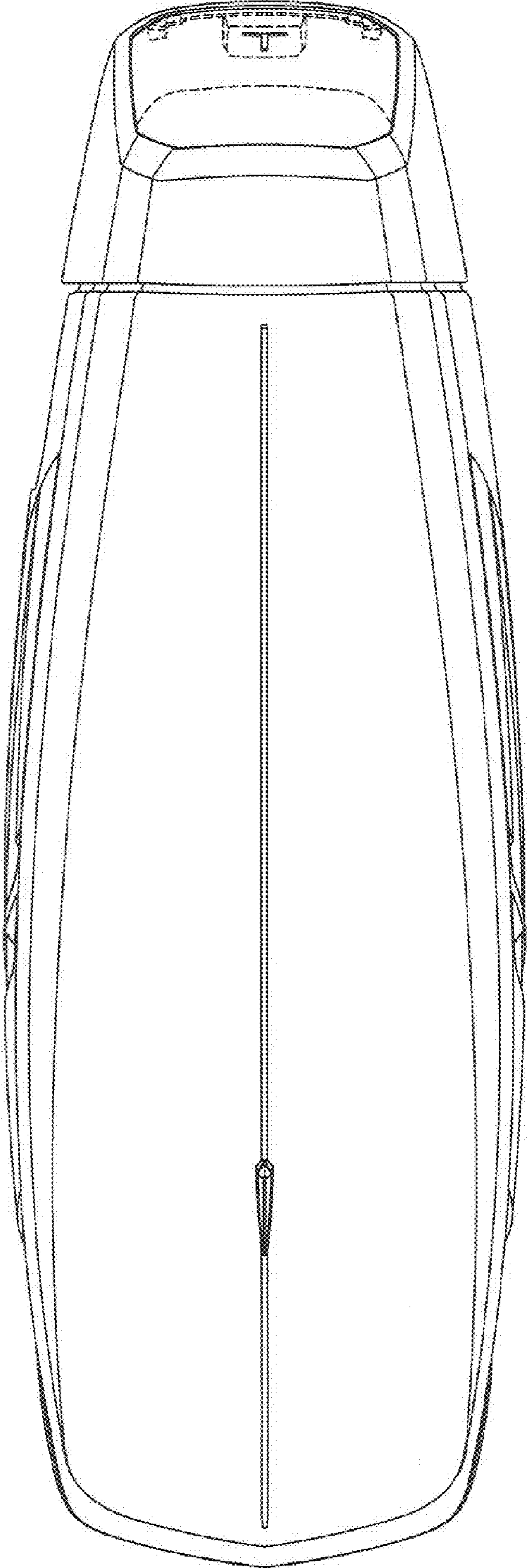


FIG. 7

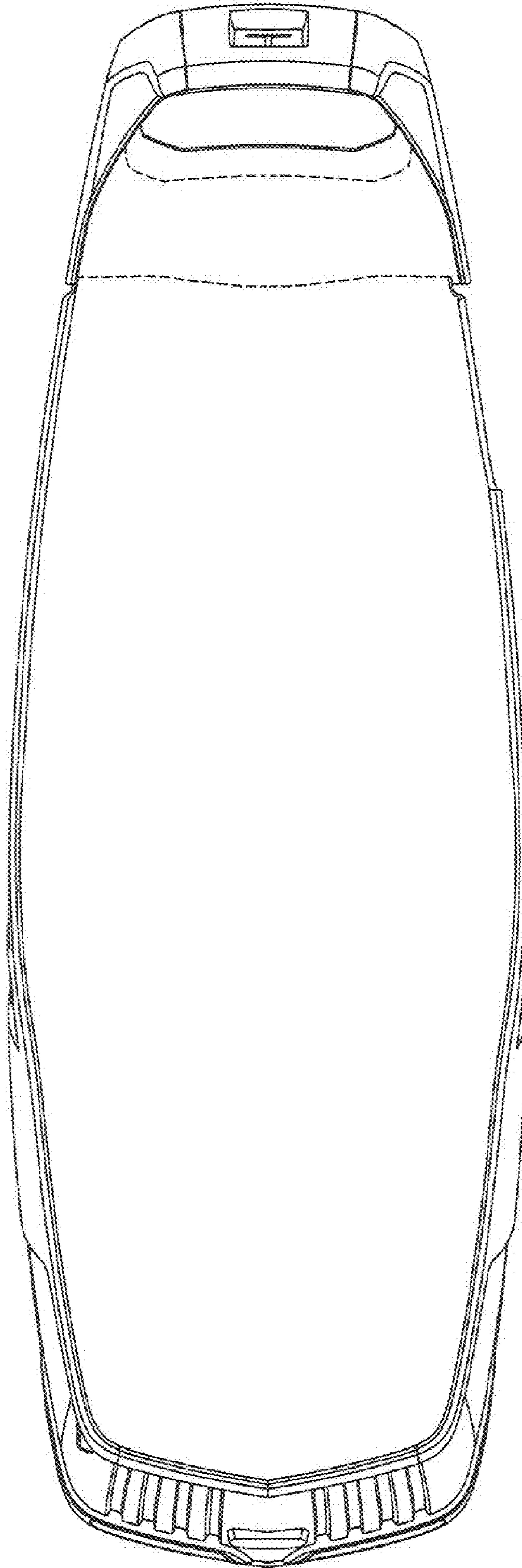


FIG. 8