



US00D642597S

(12) **United States Design Patent**  
**Krogh et al.**

(10) **Patent No.:** **US D642,597 S**

(45) **Date of Patent:** **\*\* Aug. 2, 2011**

(54) **FRONT GRILL AND LIGHTS UNIT ASSEMBLY**

(75) Inventors: **Ryan M. Krogh**, Cedar Falls, IA (US);  
**James W. Wienkes**, Dike, IA (US);  
**Matthew T. Miller**, Dike, IA (US);  
**William E. Crookes**, Ann Arbor, MI (US)

(73) Assignee: **Deere & Company**, Moline, IL (US)

(\*\*) Term: **14 Years**

(21) Appl. No.: **29/382,435**

(22) Filed: **Jan. 4, 2011**

(51) **LOC (9) Cl.** ..... **15-03**

(52) **U.S. Cl.** ..... **D15/31**

(58) **Field of Classification Search** ..... D15/10,  
D15/11, 28, 22-26, 30, 31, 33; D12/163,  
D12/166, 170-172; 56/13.3, 13.4, 15.8,  
56/15.9, 16.1, 16.7, 202; 180/89.1, 89.12,  
180/900, 68.4, 69.2; 293/115

See application file for complete search history.

(56) **References Cited**

**U.S. PATENT DOCUMENTS**

|          |   |   |         |                |       |        |
|----------|---|---|---------|----------------|-------|--------|
| D483,383 | S | * | 12/2003 | Crookes et al. | ..... | D15/31 |
| D495,344 | S | * | 8/2004  | Farlow et al.  | ..... | D15/31 |
| D495,345 | S | * | 8/2004  | Farlow et al.  | ..... | D15/31 |
| D511,175 | S | * | 11/2005 | Staines et al. | ..... | D15/31 |
| D512,079 | S | * | 11/2005 | Farlow et al.  | ..... | D15/31 |
| D512,445 | S | * | 12/2005 | Farlow et al.  | ..... | D15/31 |

|          |   |   |         |                  |       |        |
|----------|---|---|---------|------------------|-------|--------|
| D521,532 | S | * | 5/2006  | Higashikawa      | ..... | D15/31 |
| D527,742 | S | * | 9/2006  | Kuwae            | ..... | D15/31 |
| D537,090 | S | * | 2/2007  | Kuwae            | ..... | D15/31 |
| D546,351 | S | * | 7/2007  | Arthur et al.    | ..... | D15/31 |
| D560,692 | S | * | 1/2008  | Moen et al.      | ..... | D15/31 |
| D581,955 | S | * | 12/2008 | Matsumoto et al. | ..... | D15/31 |
| D586,828 | S | * | 2/2009  | Staines et al.   | ..... | D15/31 |
| D591,777 | S | * | 5/2009  | Kokitkar et al.  | ..... | D15/31 |
| D602,507 | S | * | 10/2009 | Kushita          | ..... | D15/31 |
| D605,669 | S | * | 12/2009 | Matsumoto et al. | ..... | D15/31 |
| D620,503 | S | * | 7/2010  | Krogh et al.     | ..... | D15/31 |
| D624,944 | S | * | 10/2010 | Major            | ..... | D15/31 |
| D624,945 | S | * | 10/2010 | Major            | ..... | D15/31 |
| D631,489 | S | * | 1/2011  | Booth et al.     | ..... | D15/31 |
| D632,312 | S | * | 2/2011  | Booth et al.     | ..... | D15/31 |

\* cited by examiner

*Primary Examiner* — Mark Goodwin

(57) **CLAIM**

The ornamental design for front grill and lights unit assembly, as shown and described.

**DESCRIPTION**

FIG. 1 is a top left perspective view of a front grill and lights unit assembly showing our new design.

FIG. 2 is a front view thereof.

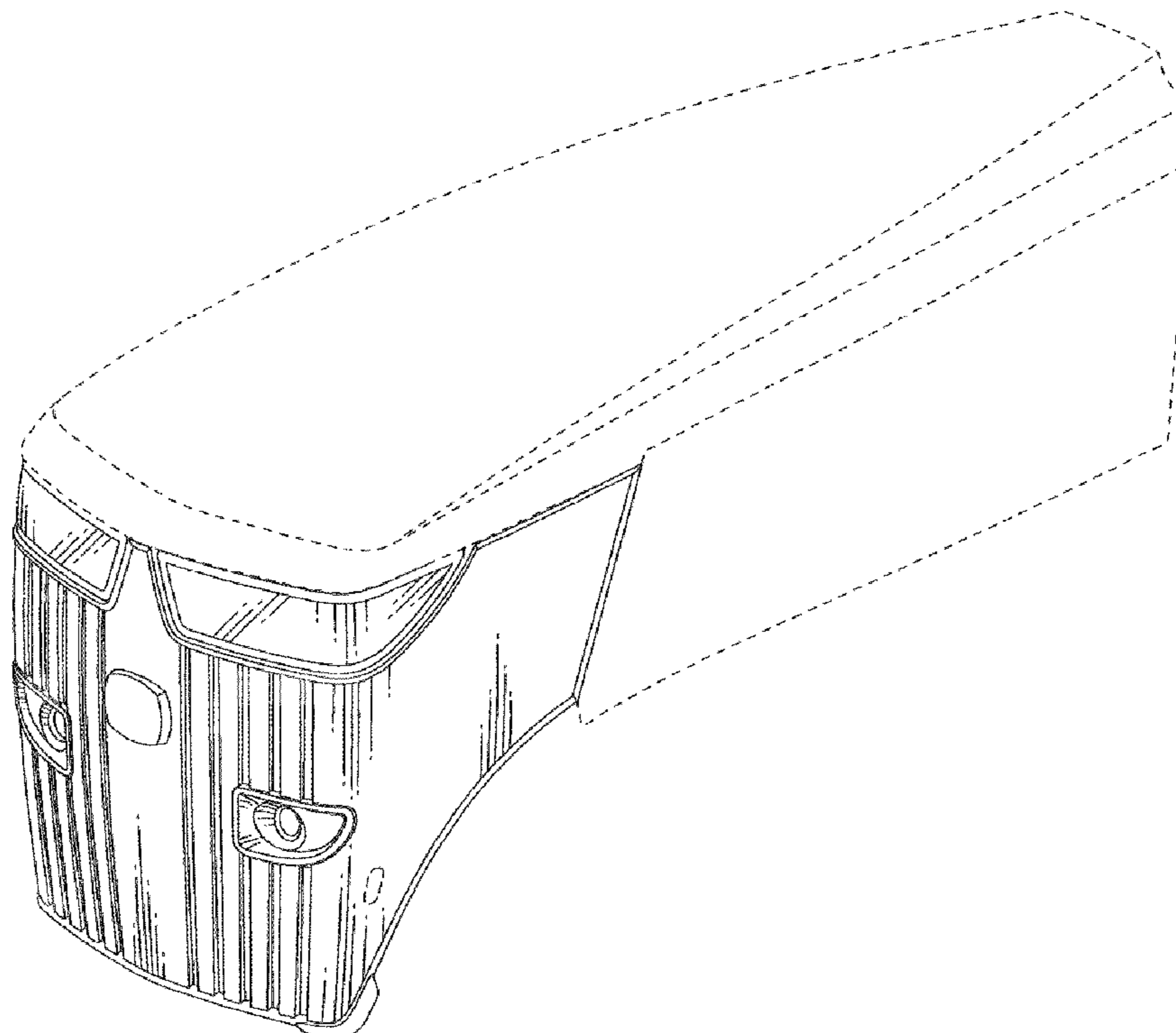
FIG. 3 is a left side view thereof.

FIG. 4 is a right side view thereof; and,

FIG. 5 is a top view thereof.

The broken line showing of a hood is included for the purpose of illustrating environmental structure only and forms no part of the claimed design.

**1 Claim, 5 Drawing Sheets**



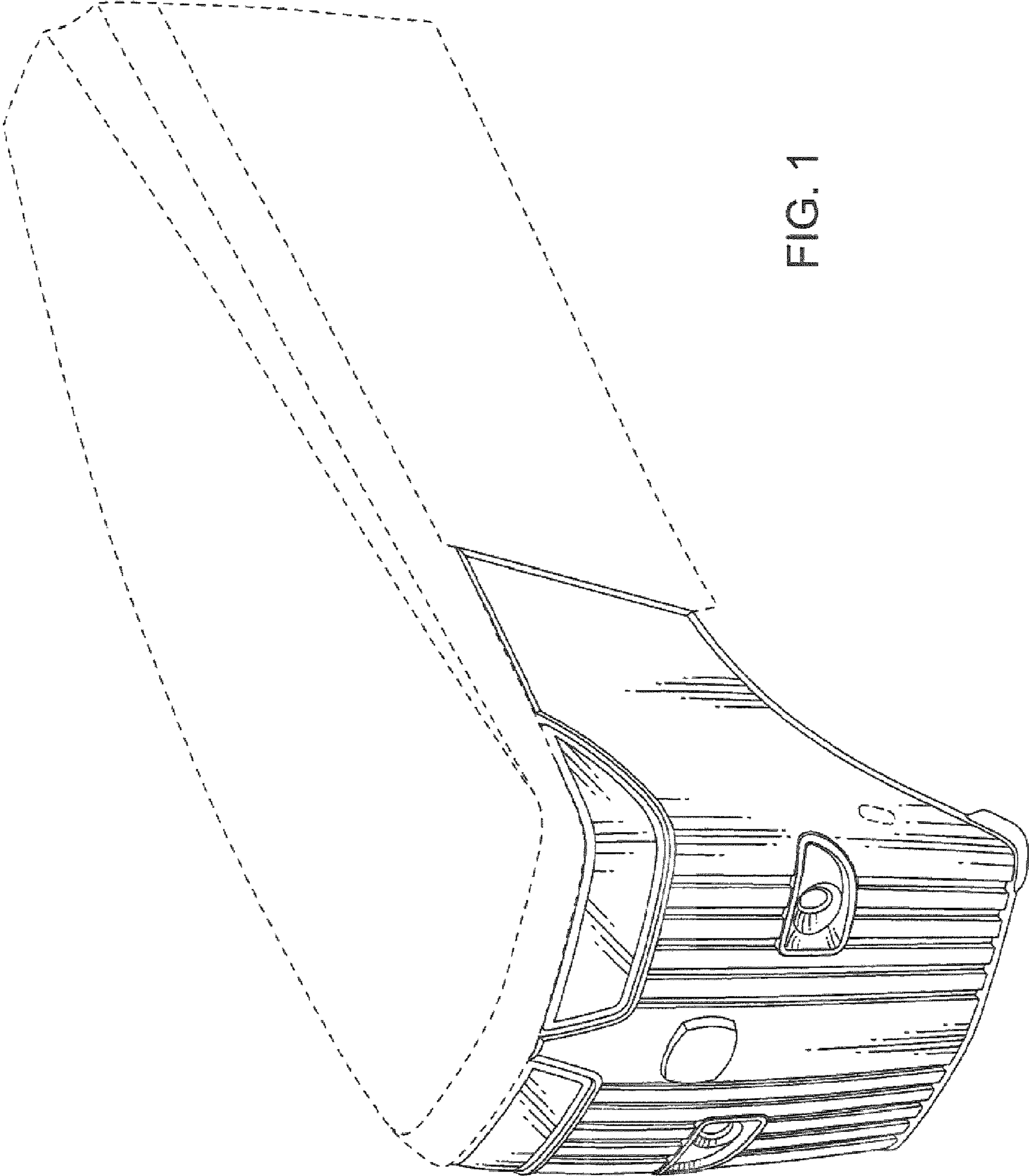


FIG. 1

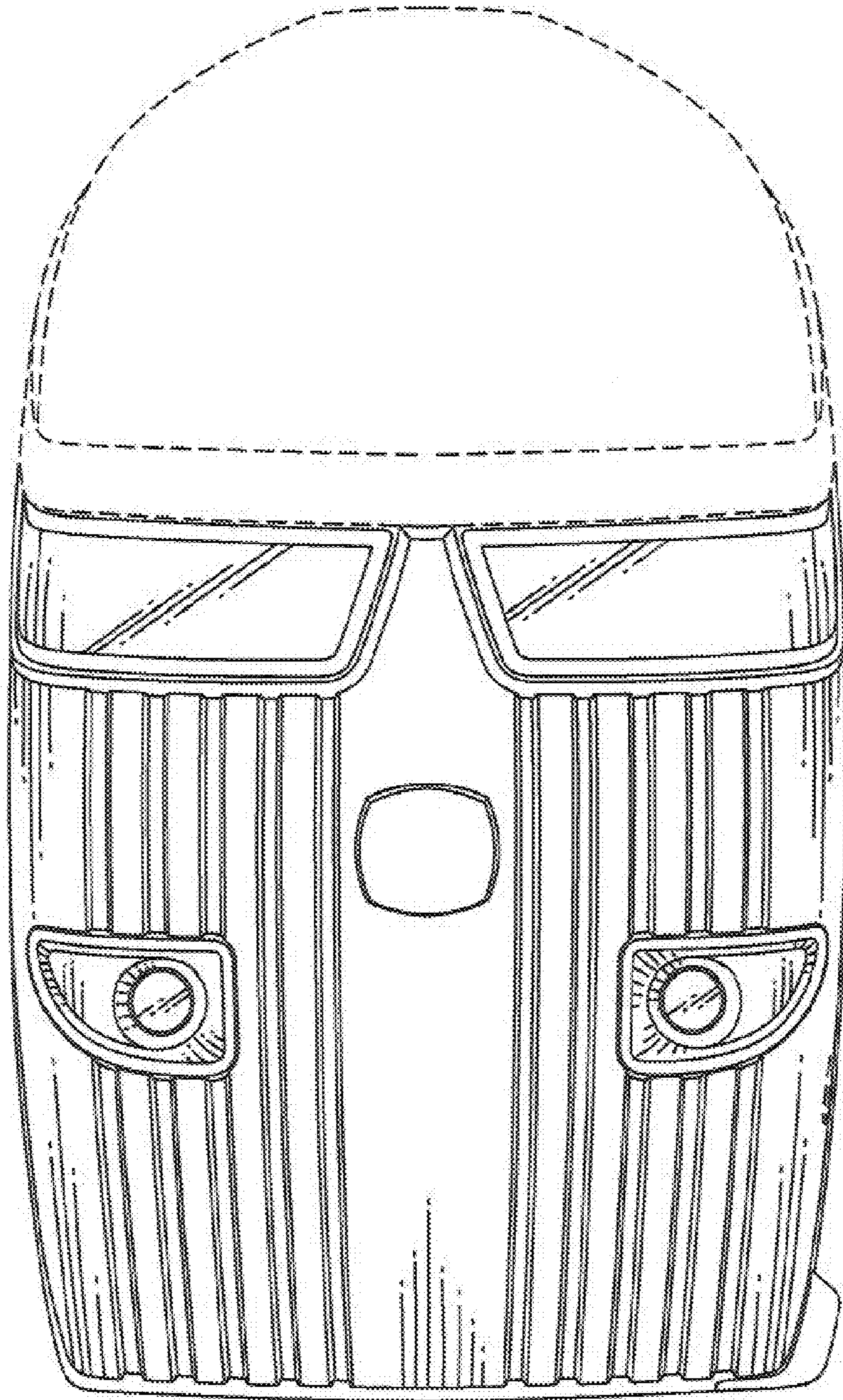


FIG. 2

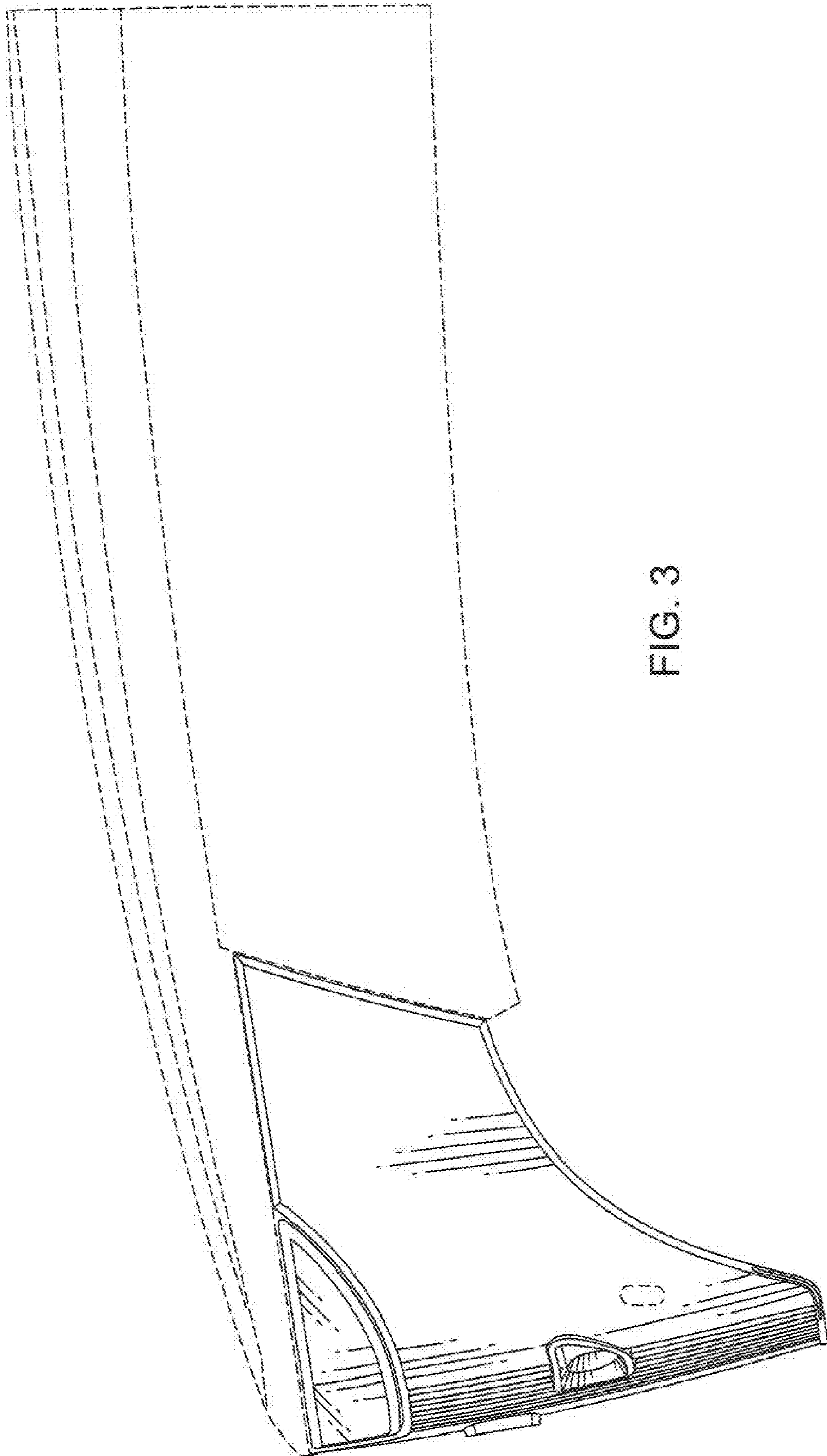


FIG. 3

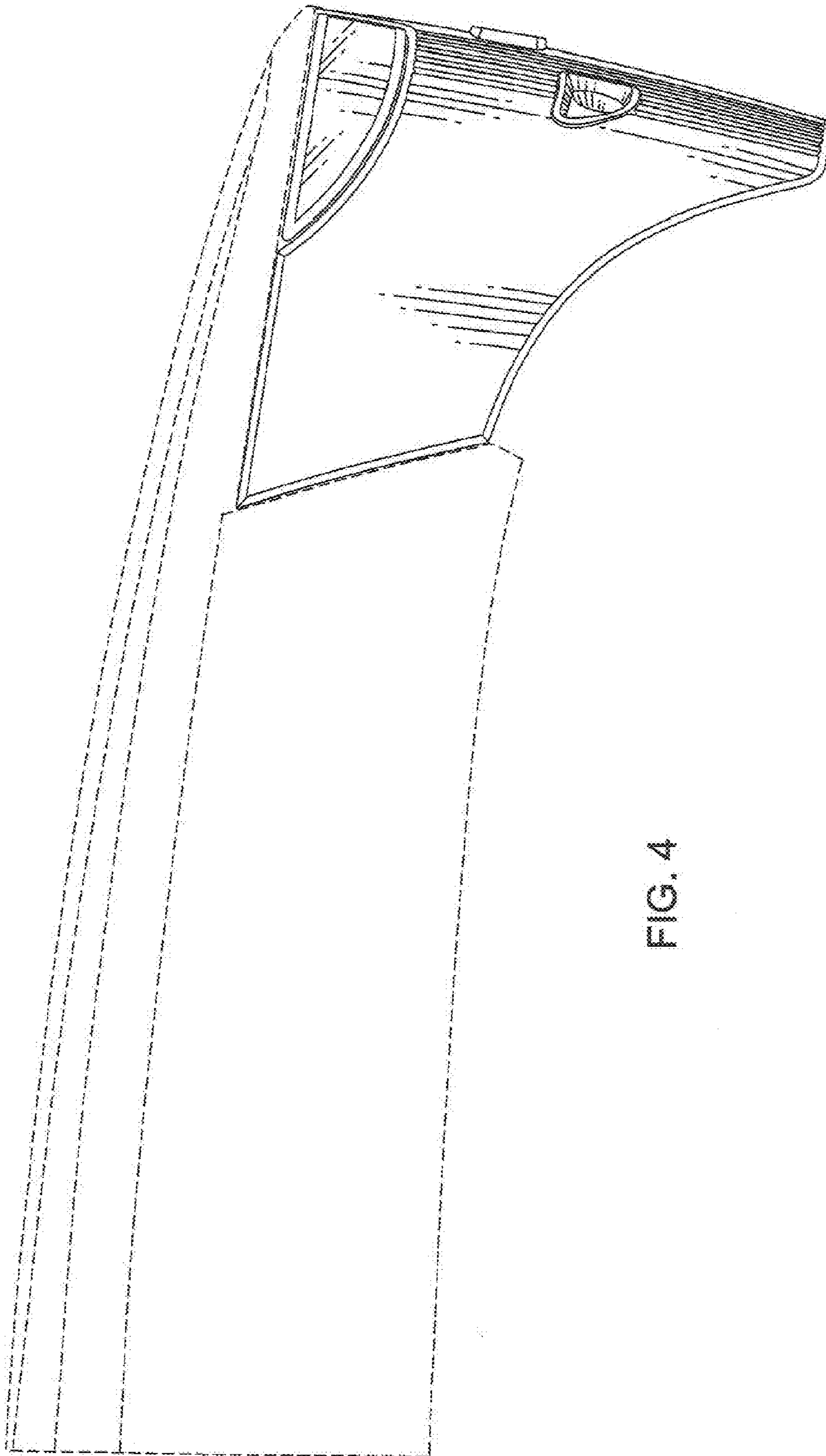


FIG. 4

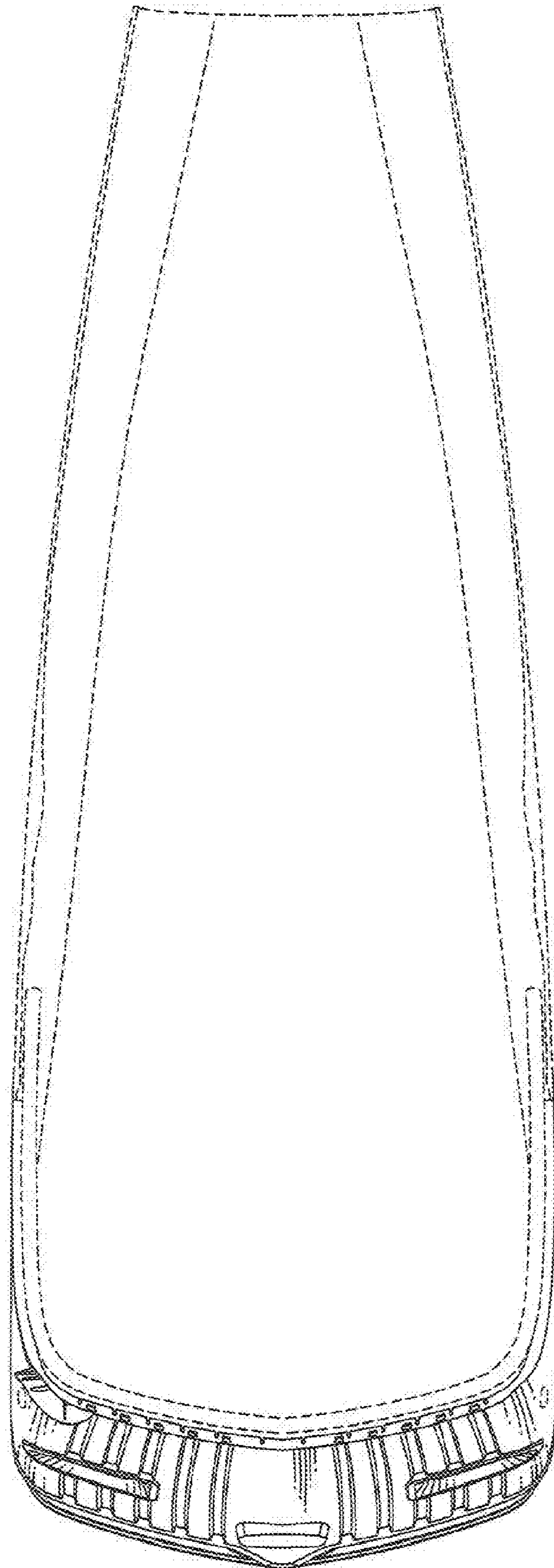


FIG. 5