



US00D642593S

(12) **United States Design Patent**
Finnie

(10) **Patent No.:** **US D642,593 S**
(45) **Date of Patent:** **** Aug. 2, 2011**

(54) **AIR CLEANER FOR A MOTORCYCLE**

(75) Inventor: **Mark Finnie**, La Palma, CA (US)

(73) Assignee: **Performance Machine, Inc.**, La Palma, CA (US)

(**) Term: **14 Years**

(21) Appl. No.: **29/384,040**

(22) Filed: **Jan. 26, 2011**

(51) **LOC (9) Cl.** **05-01**

(52) **U.S. Cl.** **D15/5; D12/114**

(58) **Field of Classification Search** D15/1-7,
D15/9; D12/110, 114, 345, 400; D23/364,
D23/365, 355; 55/306, 329, 337, 431, 488,
55/489, 521, 526, 396, DIG. 43, 522, 498,
55/DIG. 30, 506, 320, 459.1, 359, 357, 495,
55/385.3; 180/219, 220, 229; 123/53.6,
123/184.42, 184.57, 73 R, 74 A, 198 E, 184.31;
60/39.092, 605.1, 605.3

See application file for complete search history.

(56) **References Cited**

U.S. PATENT DOCUMENTS

D305,149 S *	12/1989	Stahel	D23/364
D384,141 S *	9/1997	Goodson	D23/364
6,258,144 B1 *	7/2001	Huang	55/385.3
D478,972 S *	8/2003	Hunter	D23/365
6,780,214 B2 *	8/2004	Leibold	55/385.3
D544,083 S *	6/2007	Walser	D23/365

D545,725 S *	7/2007	Zimbardo	D12/114
7,691,162 B2 *	4/2010	McCahill et al.	55/385.3
D637,205 S *	5/2011	Luxon et al.	D15/5

OTHER PUBLICATIONS

J & P Cycles 30 Years on on 2 Wheels Parts & Accessories for your Harley-Davidson® Motorcycle 2009 catalog, Forcewinder Air Cleaner Systems on p. 451 and Velocity Stacks and Air Cleaners on p. 452.*

Mitchel, Doug. Choppers and Custom Motorcycles. Illinois, Publications International, Ltd, © 2005. Air cleaner on the Suicide Softail, shown and described on pp. 174 and 175.*

* cited by examiner

Primary Examiner — Susan M Lee

Assistant Examiner — Linda G. Brooks

(74) *Attorney, Agent, or Firm* — David Pressman

(57) **CLAIM**

The ornamental design for an air cleaner for a motorcycle, as shown and described.

DESCRIPTION

FIG. 1 is an isometric front view of my air cleaner for a motorcycle.

FIG. 2 is a isometric back view.

FIG. 3 is a front view.

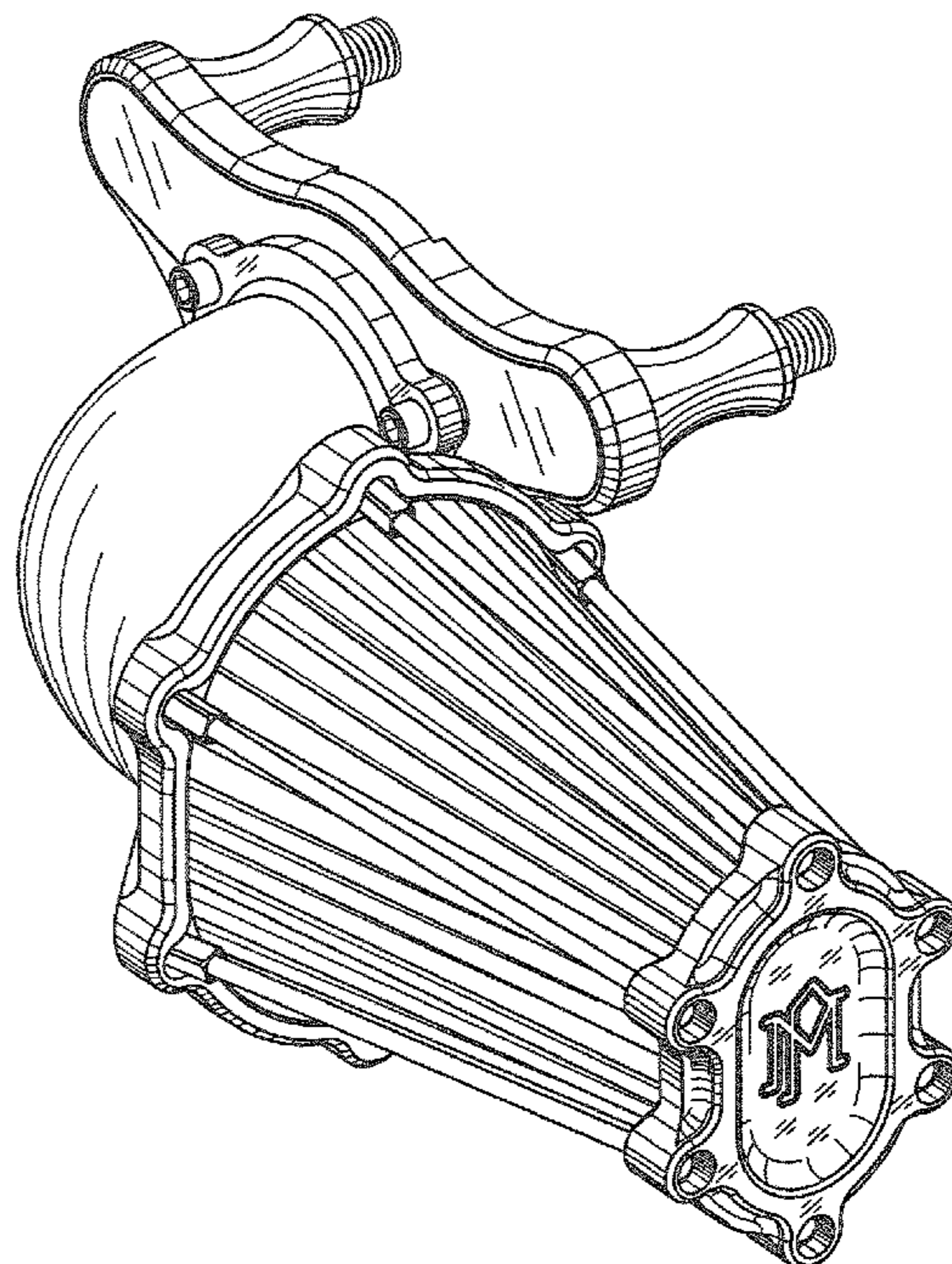
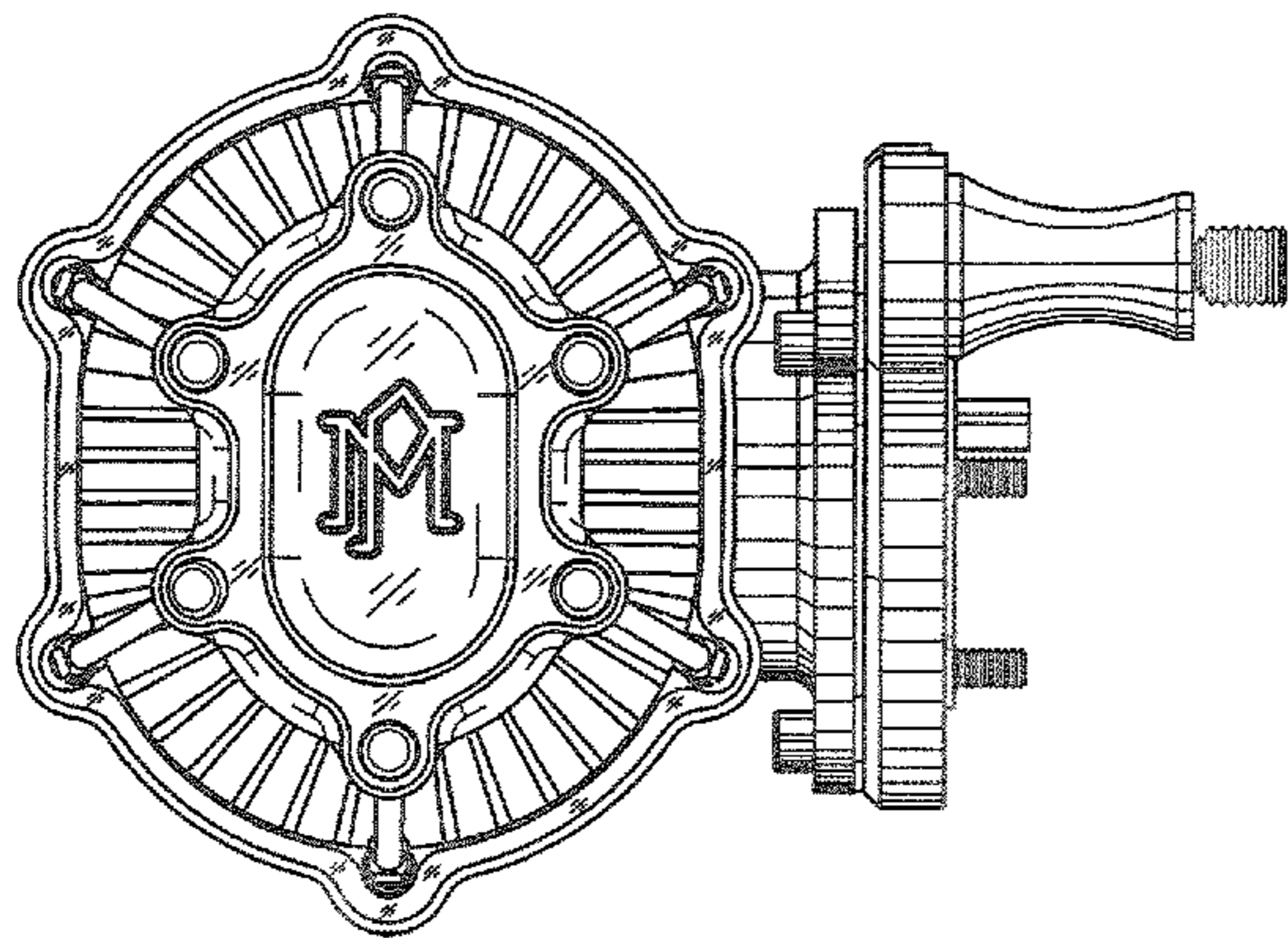
FIG. 4 is a top view.

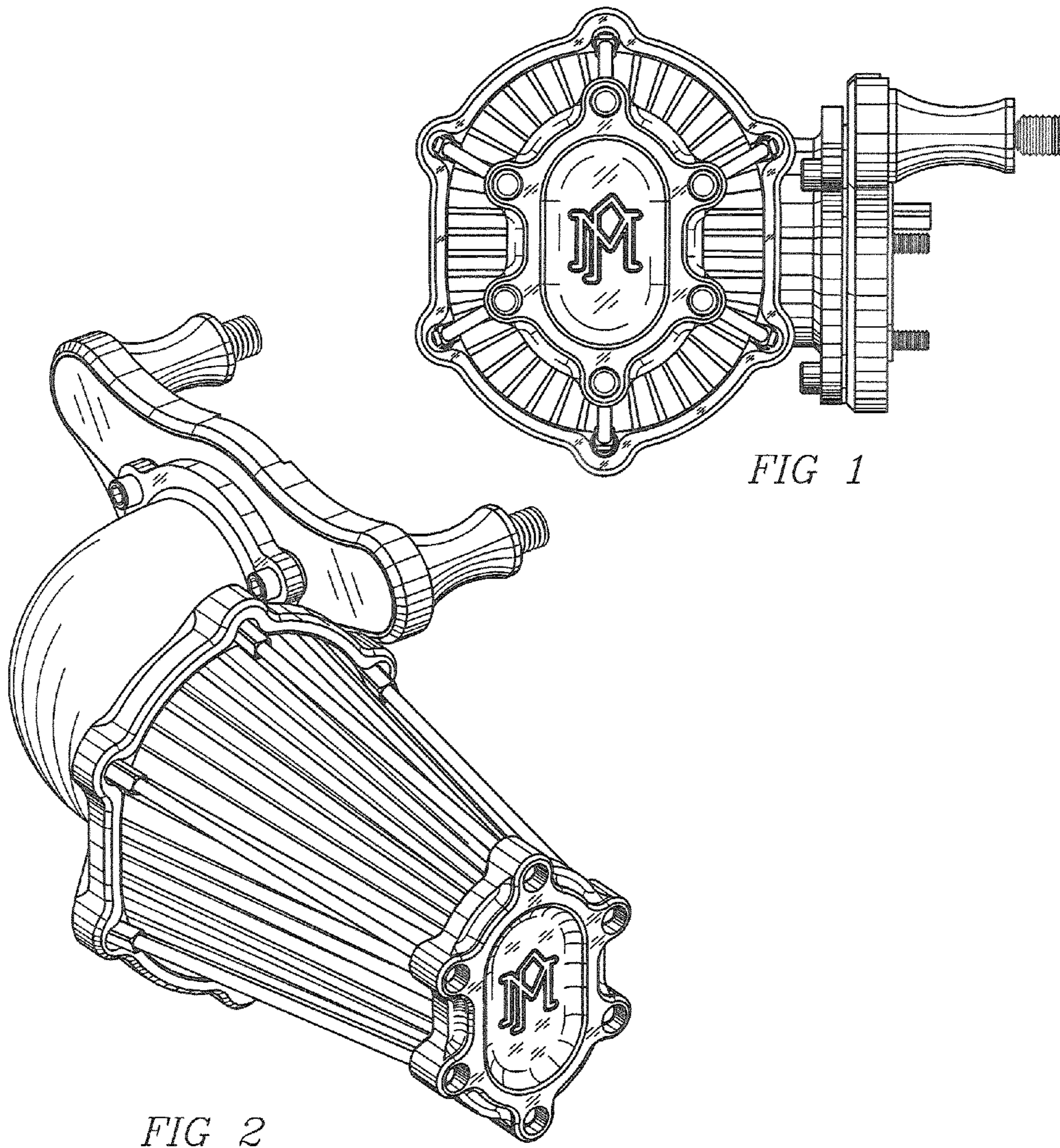
FIG. 5 is a bottom view.

FIG. 6 is a right-side view; and,

FIG. 7 is a left-side view.

1 Claim, 5 Drawing Sheets





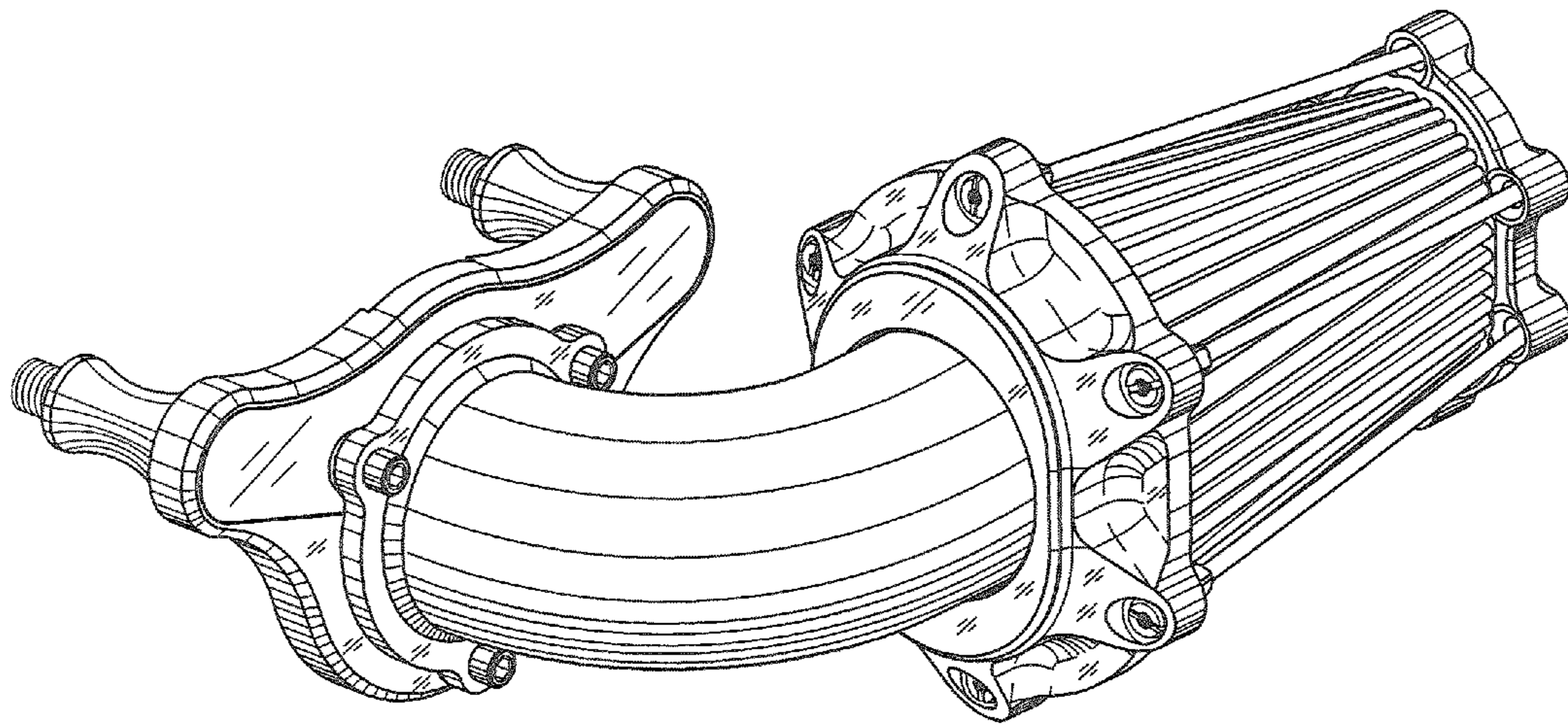
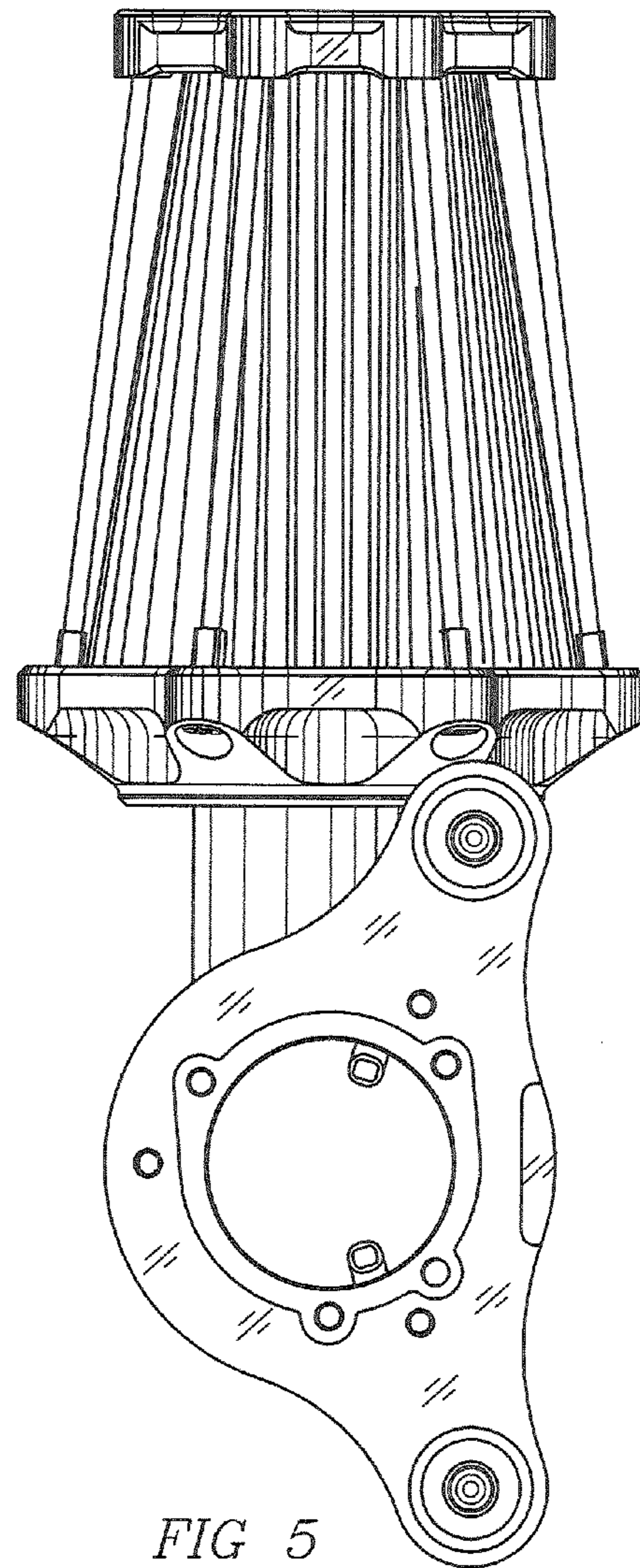
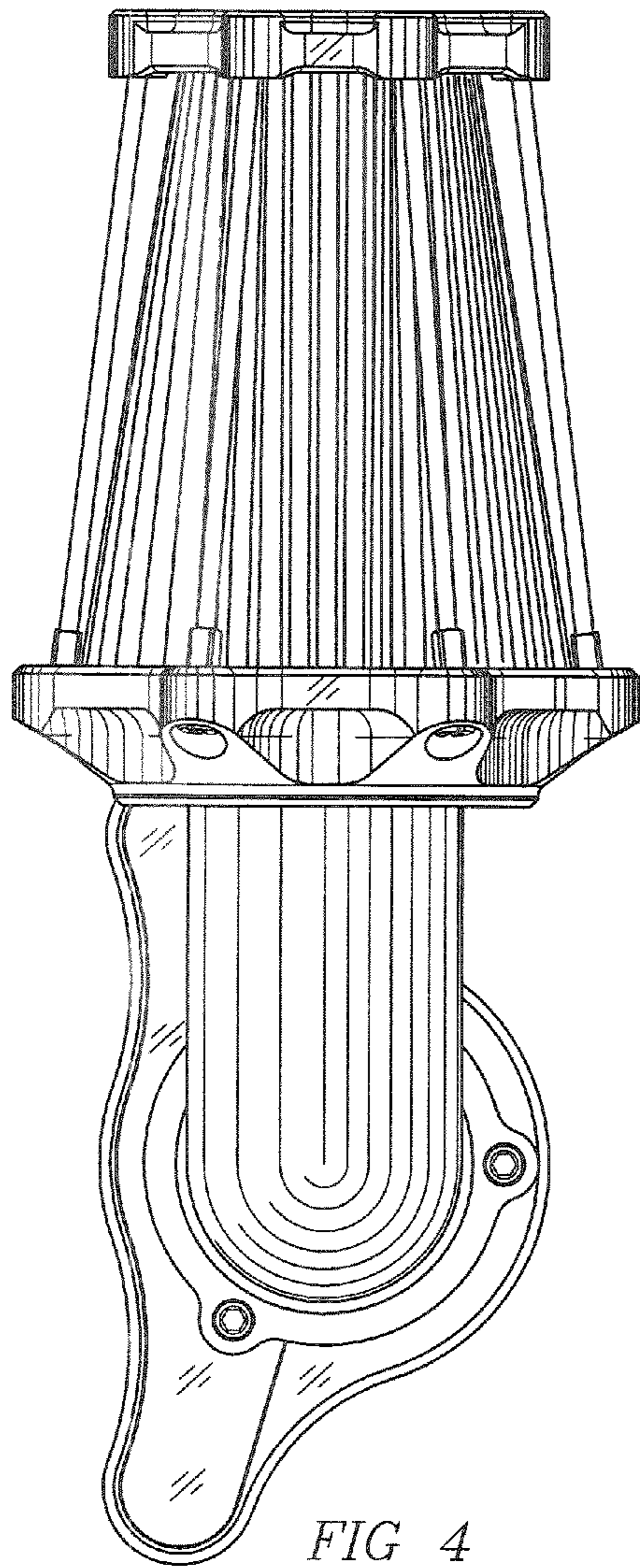
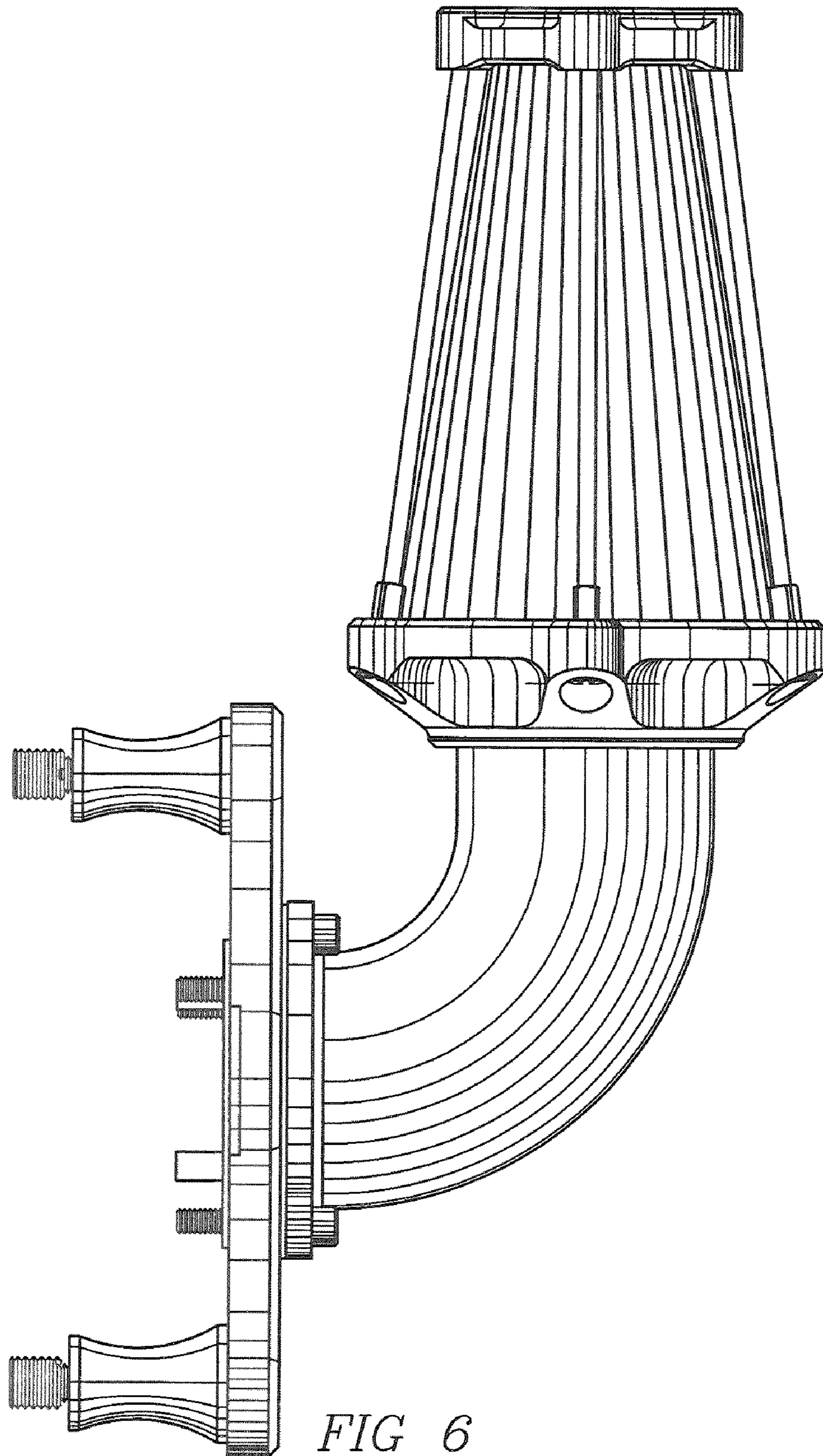


FIG 3





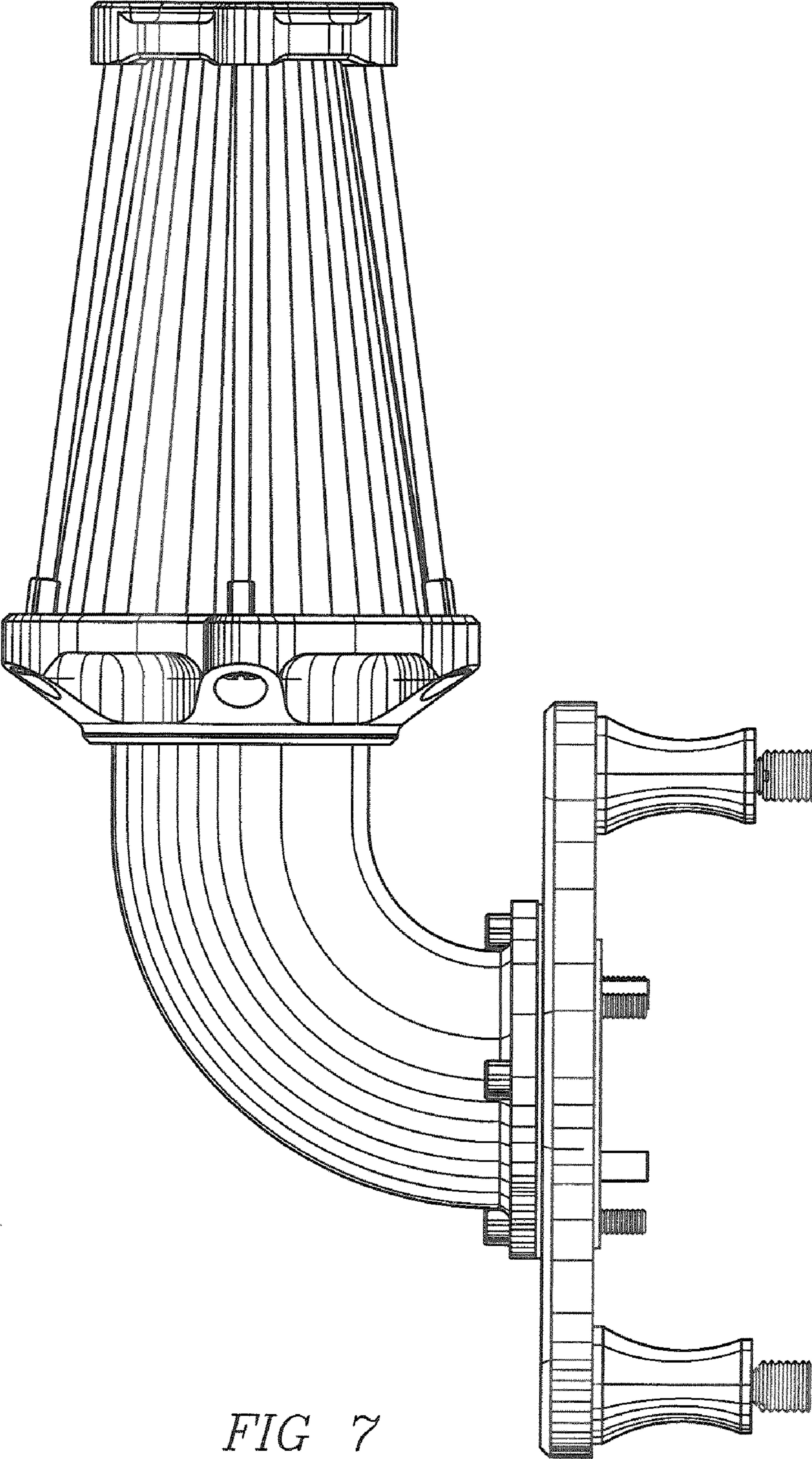


FIG 7