



US00D642584S

(12) **United States Design Patent**
Wong et al.

(10) **Patent No.:** **US D642,584 S**
(45) **Date of Patent:** **** Aug. 2, 2011**

(54) **USB STORAGE DEVICE**

(75) Inventors: **Kwok Fong Wong**, New Territories (CN); **Pui Yi Ching**, New Territories (CN)

(73) Assignee: **Shining Union Limited**, Tsuen Wan, New Territories, Hong Kong (CN)

(**) Term: **14 Years**

(21) Appl. No.: **29/364,886**

(22) Filed: **Jun. 30, 2010**

(30) **Foreign Application Priority Data**

Jan. 7, 2010 (HK) 1000028

(51) **LOC (9) Cl.** **14-02**

(52) **U.S. Cl.** **D14/480.4; D14/480.6**

(58) **Field of Classification Search** D14/411, D14/433, 435.1, 436, 480.1–480.7, 484.1, D14/137, 155, 203.1–203.8, 240; D3/201, D3/273; D13/107, 108, 133, 154, 184; 710/300, 710/301; 439/131, 135–147; 361/379.31, 361/679.33, 679.4, 752; 711/100, 115
See application file for complete search history.

(56) **References Cited**

U.S. PATENT DOCUMENTS

| | | | | | | |
|----------|---|---|--------|-----------------|-------|-----------|
| D291,888 | S | * | 9/1987 | Fong et al. | | D14/155 |
| D344,358 | S | * | 2/1994 | Yuen | | D26/38 |
| D347,630 | S | * | 6/1994 | DiPrizio et al. | | D14/435 |
| D443,859 | S | * | 6/2001 | Hogan | | D13/133 |
| D486,829 | S | * | 2/2004 | Wang et al. | | D14/480.5 |
| D488,158 | S | * | 4/2004 | Chen et al. | | D14/480.5 |
| D488,464 | S | * | 4/2004 | Lin et al. | | D14/480.5 |
| D572,248 | S | * | 7/2008 | Jen | | D14/480.5 |

| | | | | | | |
|--------------|----|---|--------|--------------------|-------|-----------|
| D572,249 | S | * | 7/2008 | Yang | | D14/435.1 |
| D607,886 | S | * | 1/2010 | Bolotin et al. | | D14/480.1 |
| D618,227 | S | * | 6/2010 | Han | | D14/242 |
| D624,012 | S | * | 9/2010 | de Medeiros et al. | | D13/103 |
| 2006/0082963 | A1 | * | 4/2006 | Chen | | 361/684 |
| 2009/0004898 | A1 | * | 1/2009 | Hsu | | 439/135 |
| 2009/0124104 | A1 | * | 5/2009 | Zhu et al. | | 439/131 |

OTHER PUBLICATIONS

World Wide Touch Technology (Holdings) Limited, [online], [retrieved on Mar. 22, 2011]. Retrieved from the Internet <URL: <http://www.wwtt.hk/public/INTE/FIDE/index.php?version=en>>* CES Flash Memory USB Flash Drives, [online] posted Jan. 6, 2009 [retrieved on Mar. 11, 2009]. Retrieved from the Internet <URL: <http://www.ces-show.com/flashmemory/usbflashdrive/>>* USB—SlashGear: The key to safer data storage? [online] posted on Jan. 29, 2007 [retrieved on Nov. 14, 2007]. Retrieved from the Internet <URL: <http://www.slashgear.com/tags/USB/page/14>>.*

* cited by examiner

Primary Examiner — Cathron Brooks

Assistant Examiner — Karen E Kearney

(74) *Attorney, Agent, or Firm* — Alix, Yale & Ristas, LLP

(57) **CLAIM**

The ornamental design for a USB storage device, as shown and described.

DESCRIPTION

FIG. 1 is a front view of a USB storage device showing our new design;

FIG. 2 is a rear view thereof;

FIG. 3 is a left side view thereof;

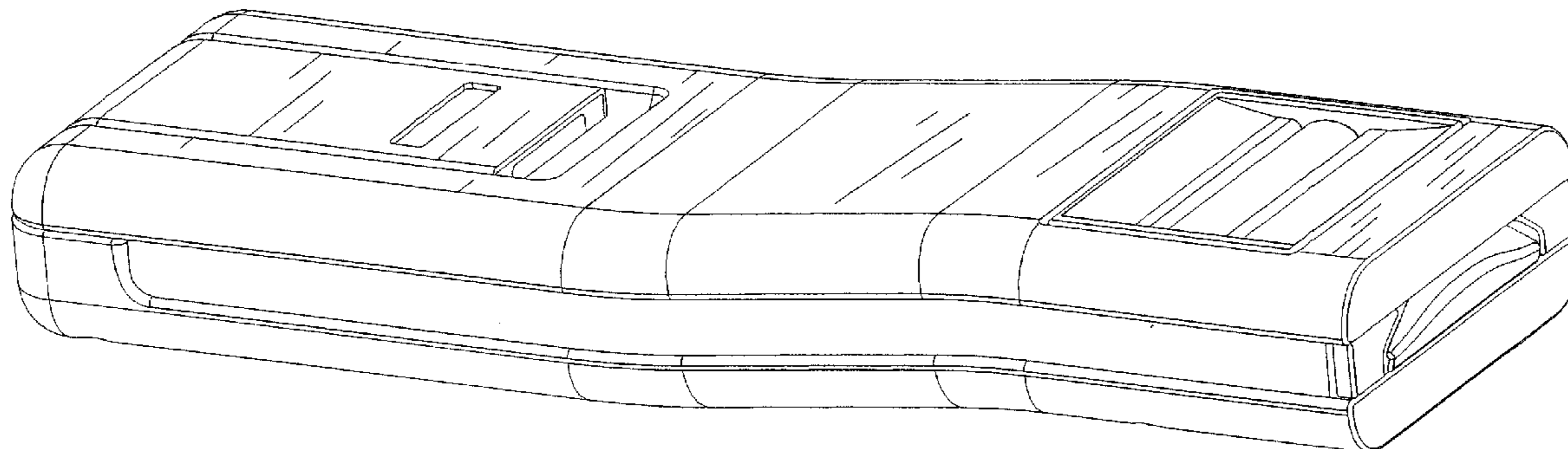
FIG. 4 is a right side view thereof;

FIG. 5 is a top plan view thereof;

FIG. 6 is a bottom plan view thereof; and,

FIG. 7 is a perspective view thereof.

1 Claim, 7 Drawing Sheets



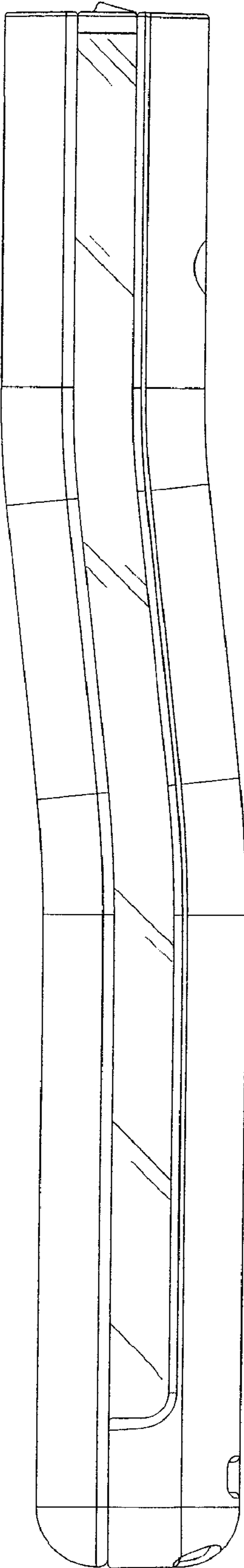


Fig. 1

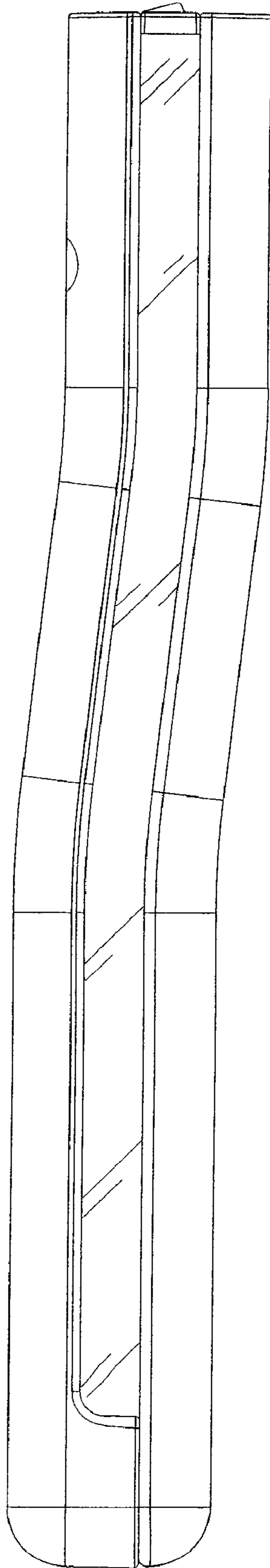


Fig. 2

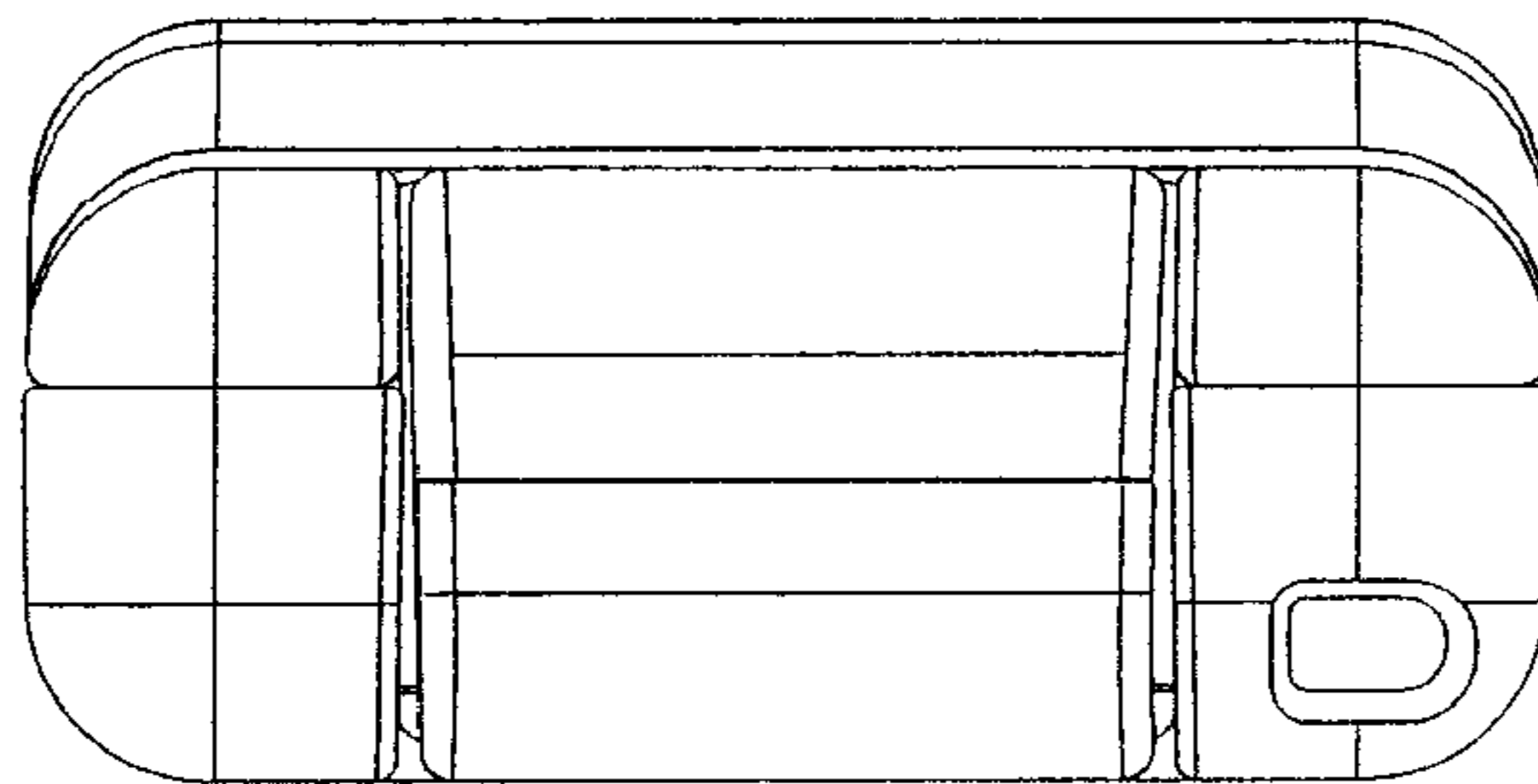


Fig. 3

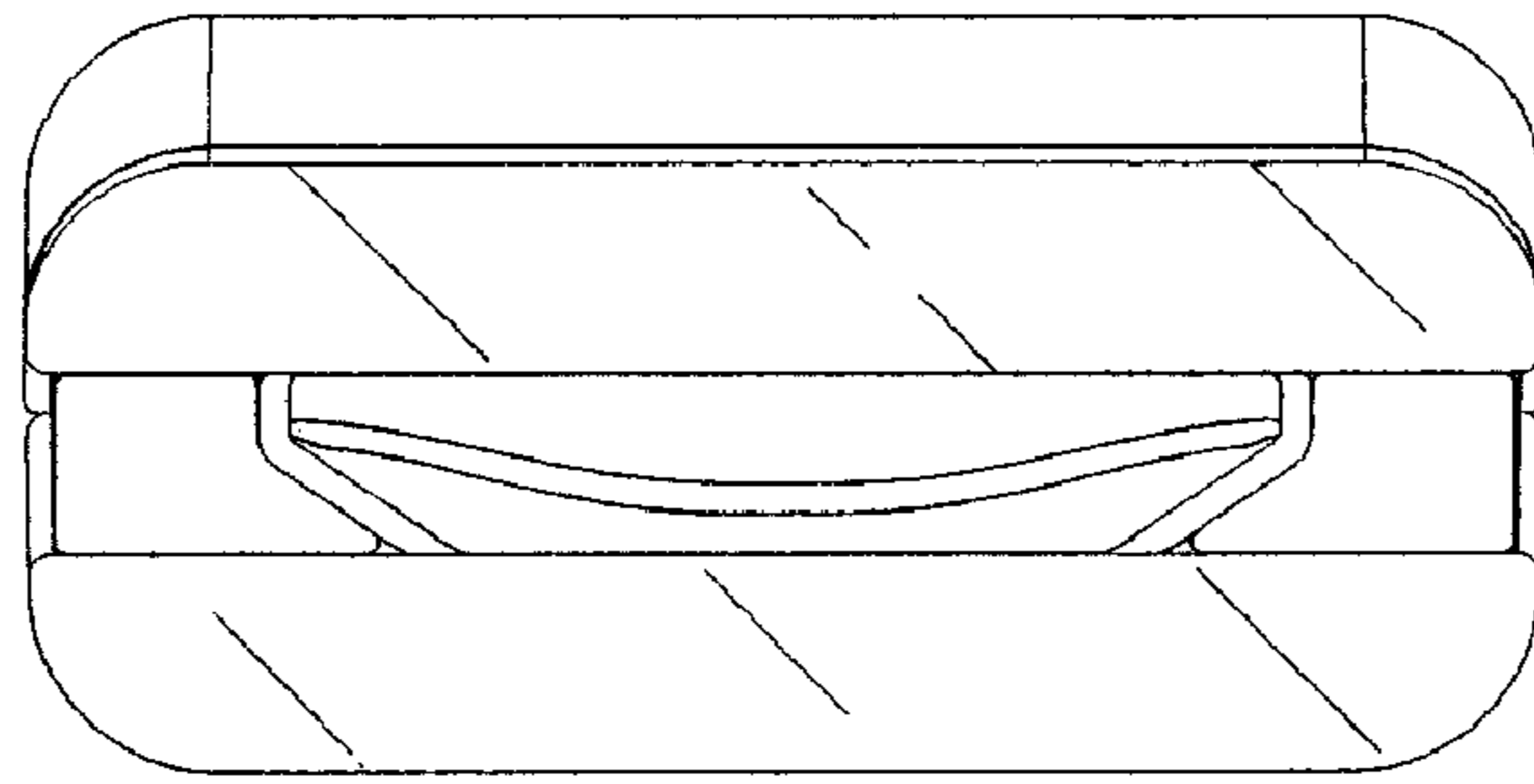


Fig. 4

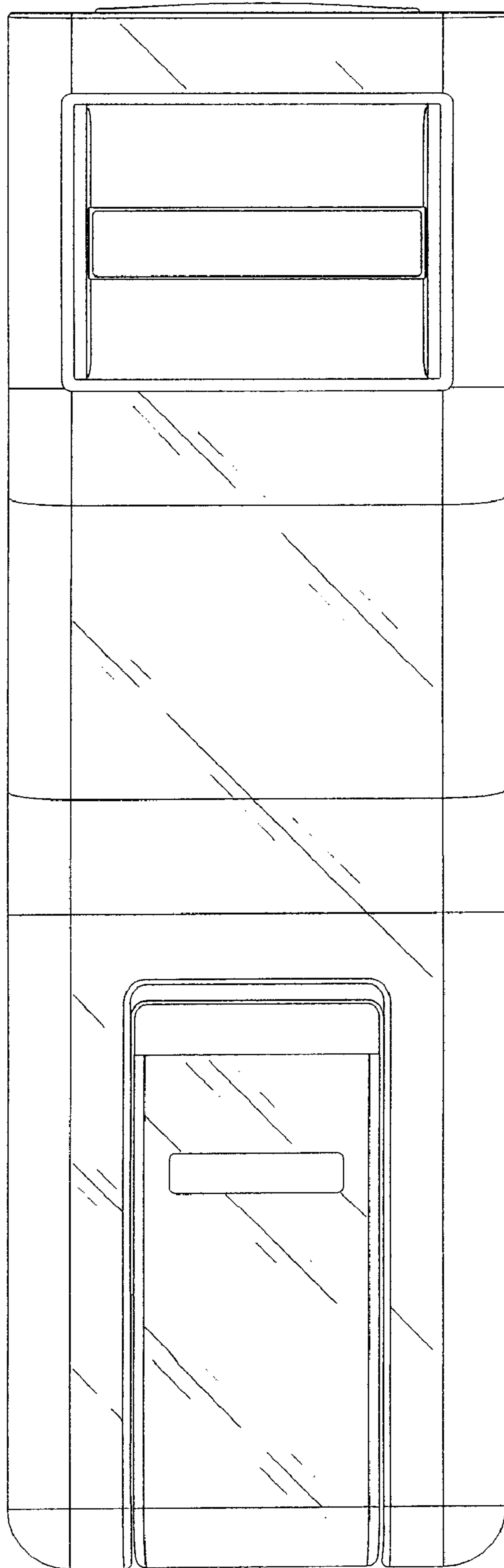


Fig. 5

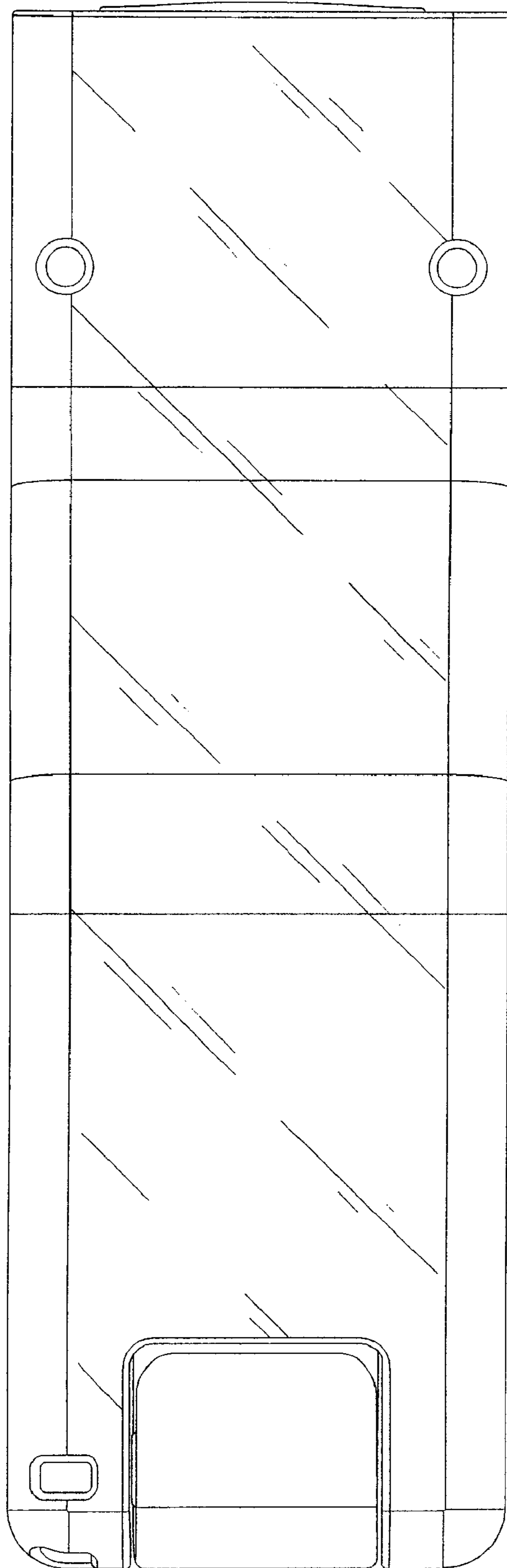


Fig. 6

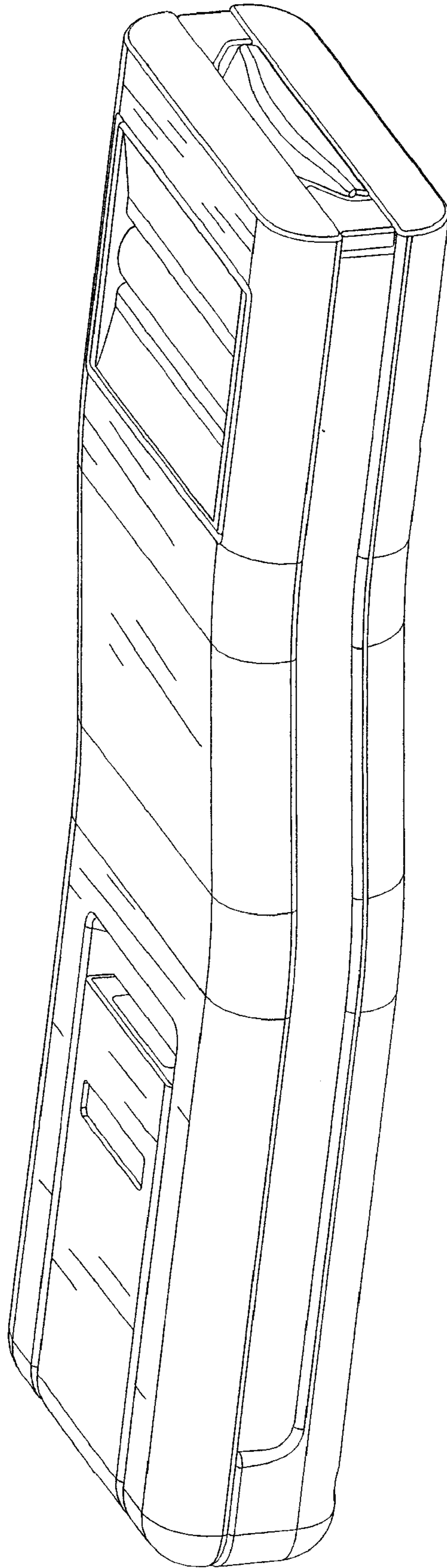


Fig. 7