



US00D642582S

(12) **United States Design Patent**
Largy

(10) **Patent No.:** **US D642,582 S**

(45) **Date of Patent:** **** Aug. 2, 2011**

(54) **IDENTIFICATION LIFT FOR COMPUTER
LAPTOP OR LAPTOP TABLET**

(76) Inventor: **Dawn Largy**, Greenville, NH (US)

(**) Term: **14 Years**

(21) Appl. No.: **29/382,114**

(22) Filed: **Dec. 29, 2010**

(51) **LOC (9) Cl.** **08-07**

(52) **U.S. Cl.** **D14/447**

(58) **Field of Classification Search** D14/447,
D14/451, 452, 448, 457, 432, 434, 440, 217,
D14/250, 251, 253, 239, 238.1, 373; D3/218;
D6/406.3, 406.4, 406.5, 406.6, 474, 601;
D8/363, 373, 380; 248/917-924, 139, 149,
248/150, 155.2, 371, 415, 176.3, 324, 687,
248/688, 441.1, 447, 454, 455, 456, 457,
248/460; 361/679.04, 679.05, 679.06, 679.02,
361/679.07, 679.09, 679.21, 679.26, 679.3,
361/379.55, 679.56

See application file for complete search history.

(56) **References Cited**

U.S. PATENT DOCUMENTS

D115,104 S *	6/1939	Erickson	D6/473
2,528,838 A *	11/1950	Martino	108/101
D207,564 S *	5/1967	Hartford	D6/468
4,025,137 A *	5/1977	Wyler	312/114
D365,461 S *	12/1995	Falter	D6/406.4

D414,166 S *	9/1999	De Paris	D14/447
D442,603 S *	5/2001	Lam	D14/458
D507,431 S *	7/2005	Goth	D6/474
D524,577 S *	7/2006	Gusdorf et al.	D6/474
D541,082 S *	4/2007	Nomoto	D6/474
D555,936 S *	11/2007	King	D6/469
D579,455 S *	10/2008	Chu	D14/447
D598,920 S *	8/2009	Fujino et al.	D14/447

* cited by examiner

Primary Examiner — Angela Lee

(74) *Attorney, Agent, or Firm* — Gary E. Lambert; David J. Connaughton

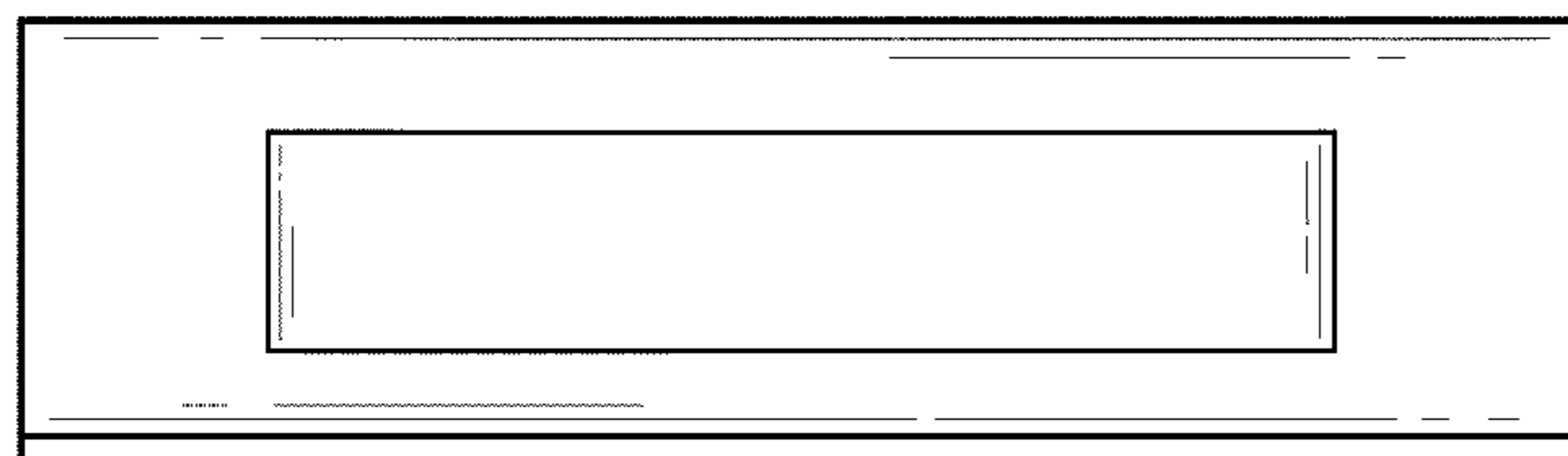
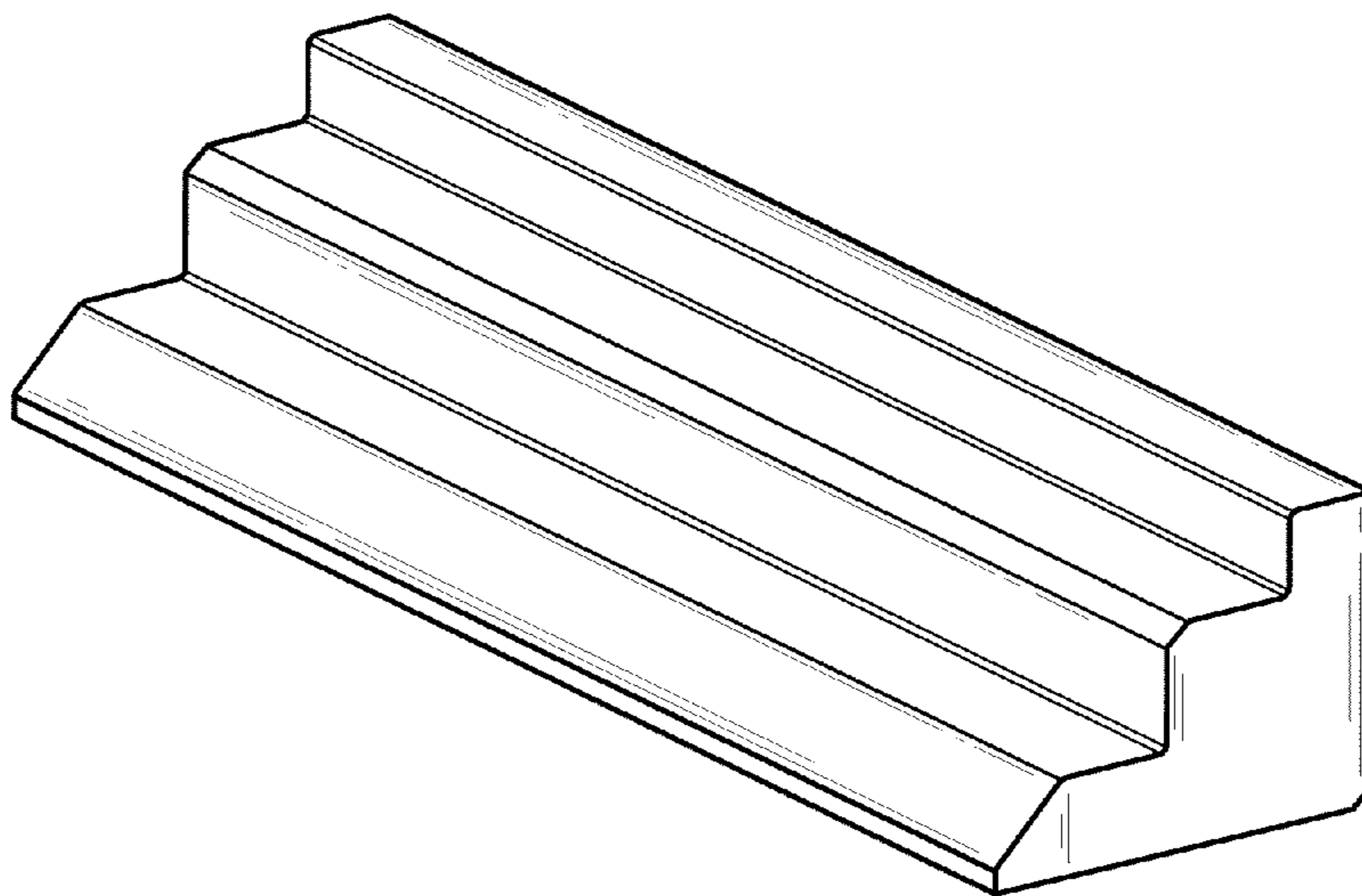
(57) **CLAIM**

The ornamental design for an identification lift for computer laptop or laptop tablet, as shown and described.

DESCRIPTION

FIG. 1 is a isometric view of the identification lift for computer laptop or laptop tablet, which embodies my design; FIG. 2 is a rear view of the identification lift for computer laptop or laptop tablet; FIG. 3 is a front plan view of the identification lift for computer laptop or laptop tablet; FIG. 4 is a right side view of the identification lift for computer laptop or laptop tablet; FIG. 5 is a left side view of the identification lift for computer laptop or laptop tablet; FIG. 6 is a top view of the identification lift for computer laptop or laptop tablet; and, FIG. 7 is a bottom view of the identification lift for computer laptop or laptop tablet.

1 Claim, 2 Drawing Sheets



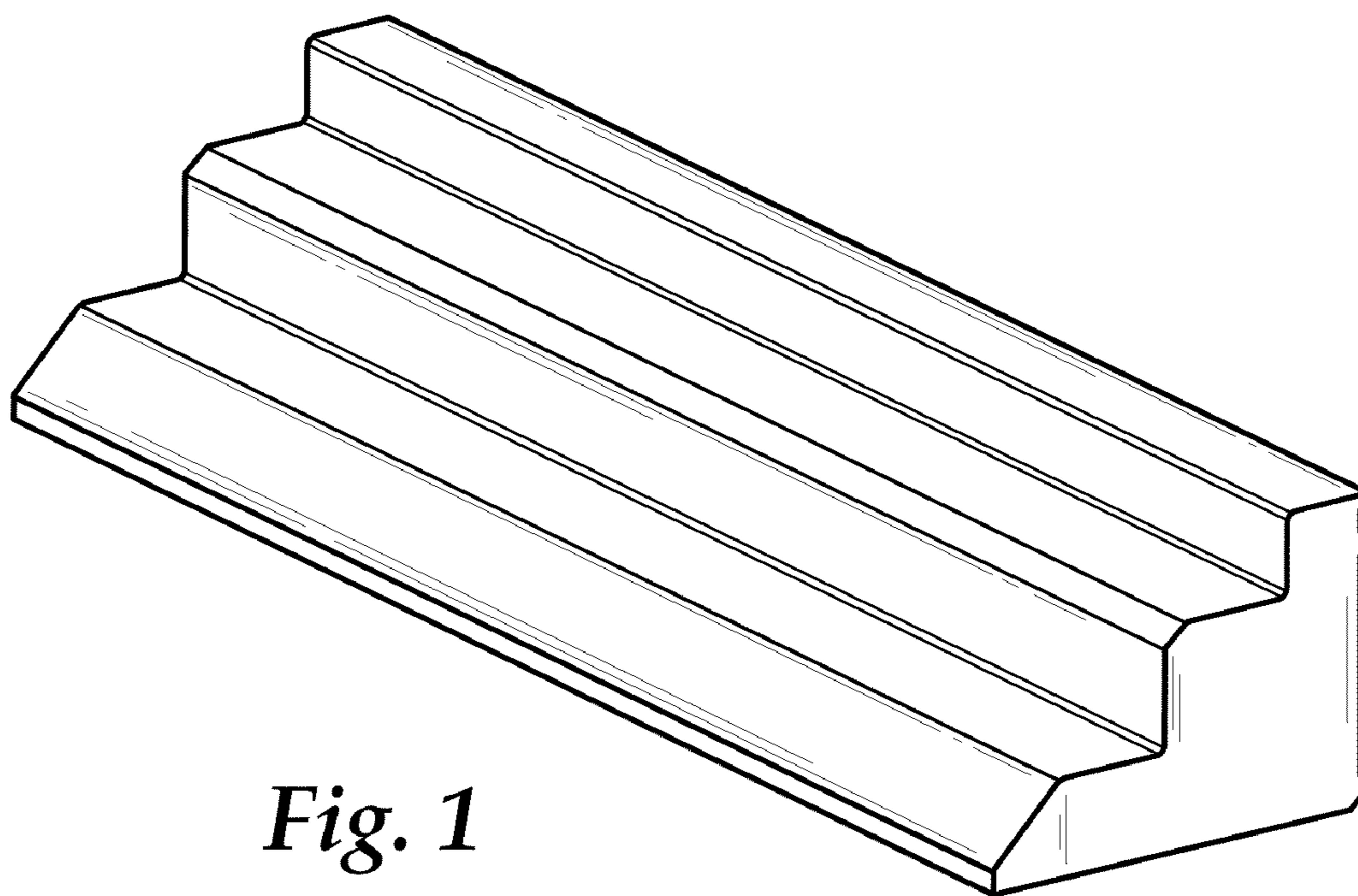


Fig. 1

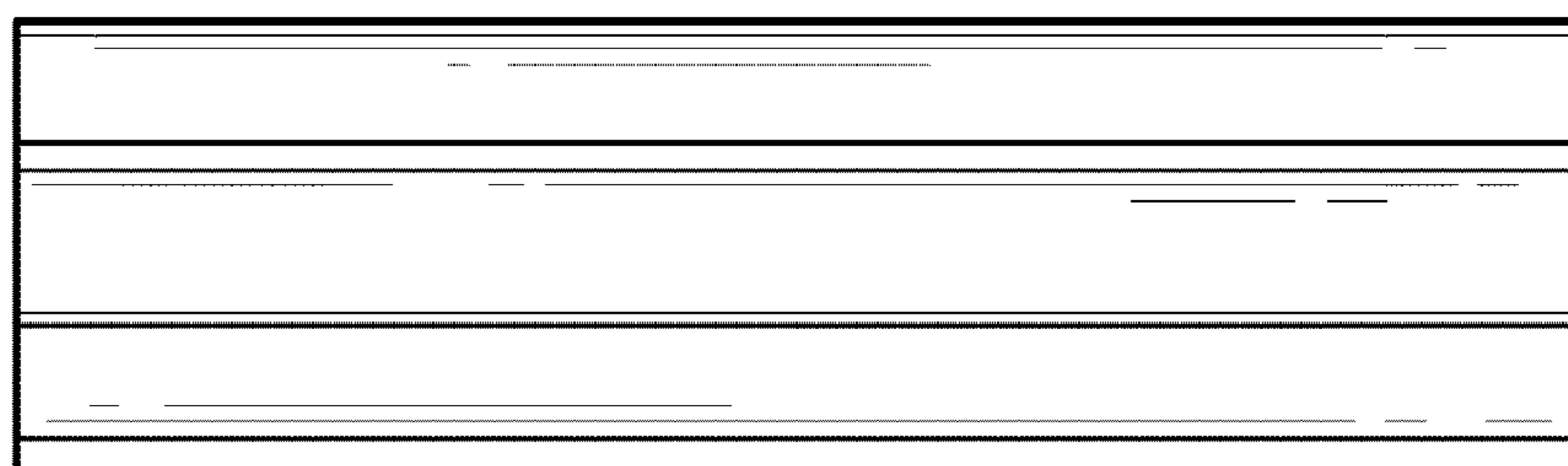


Fig. 2

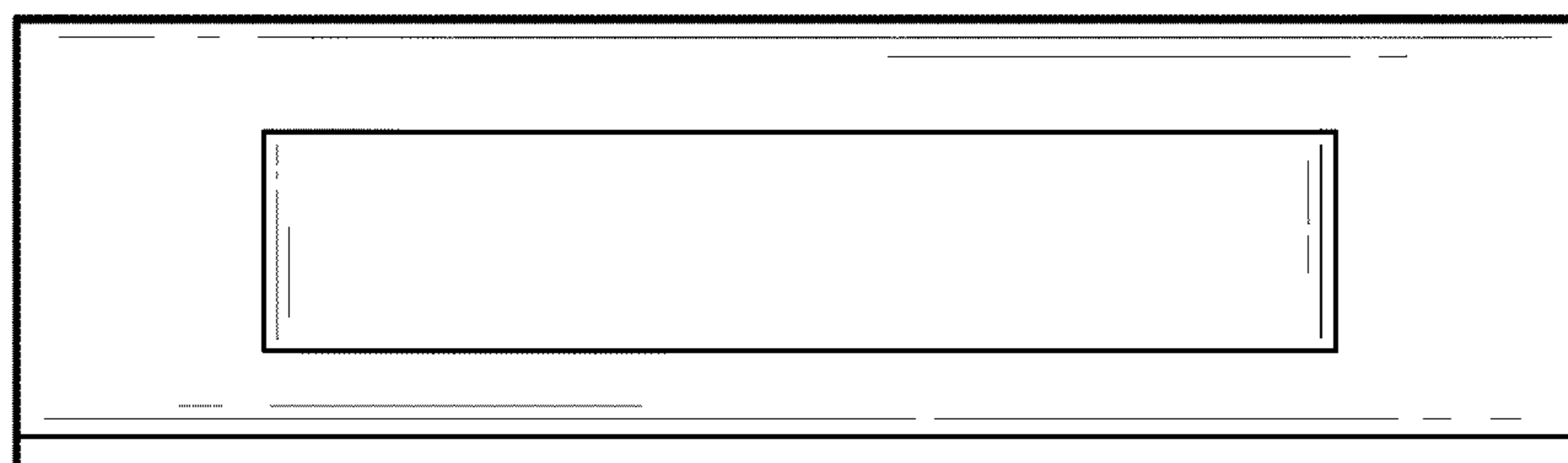


Fig. 3

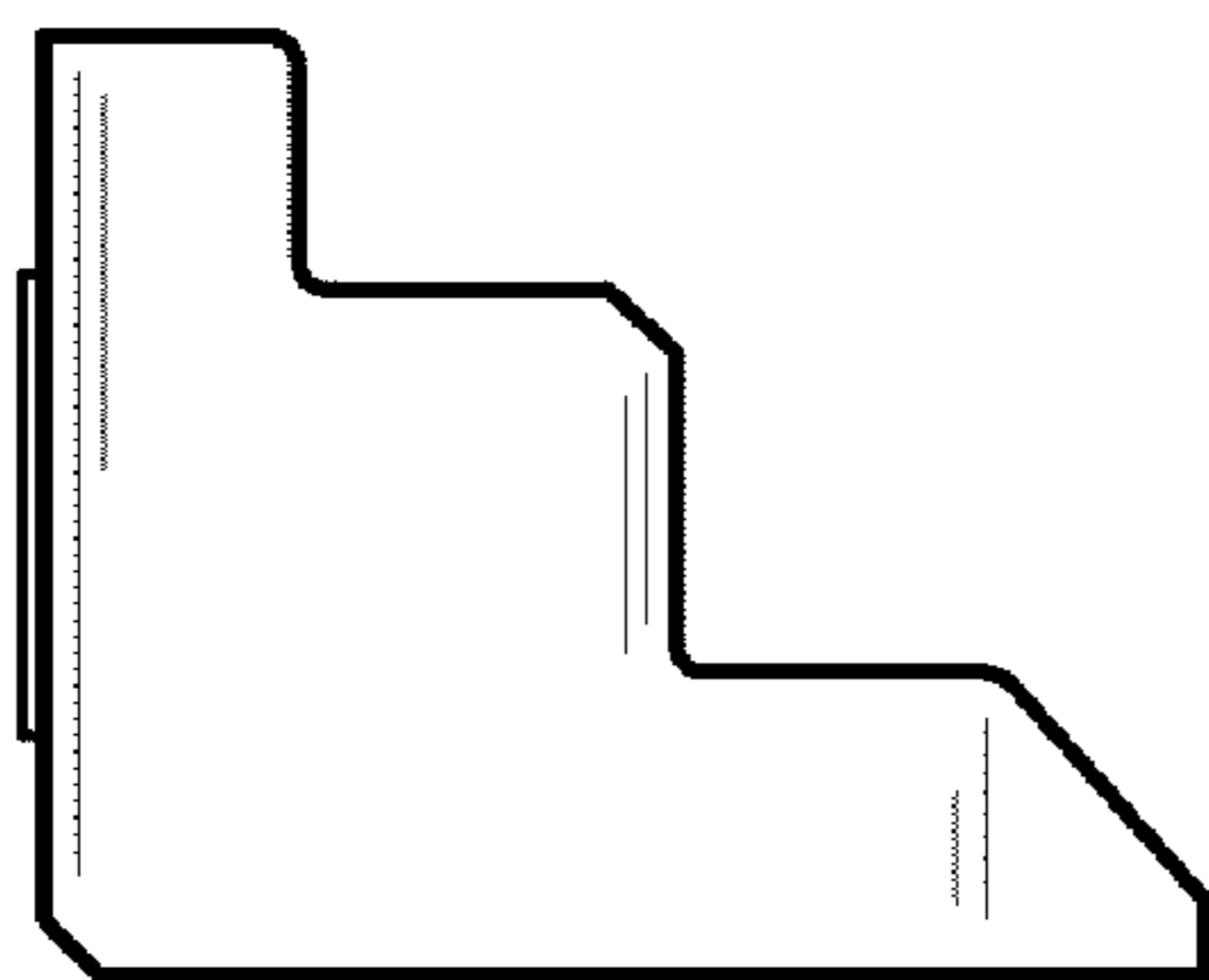


Fig. 4

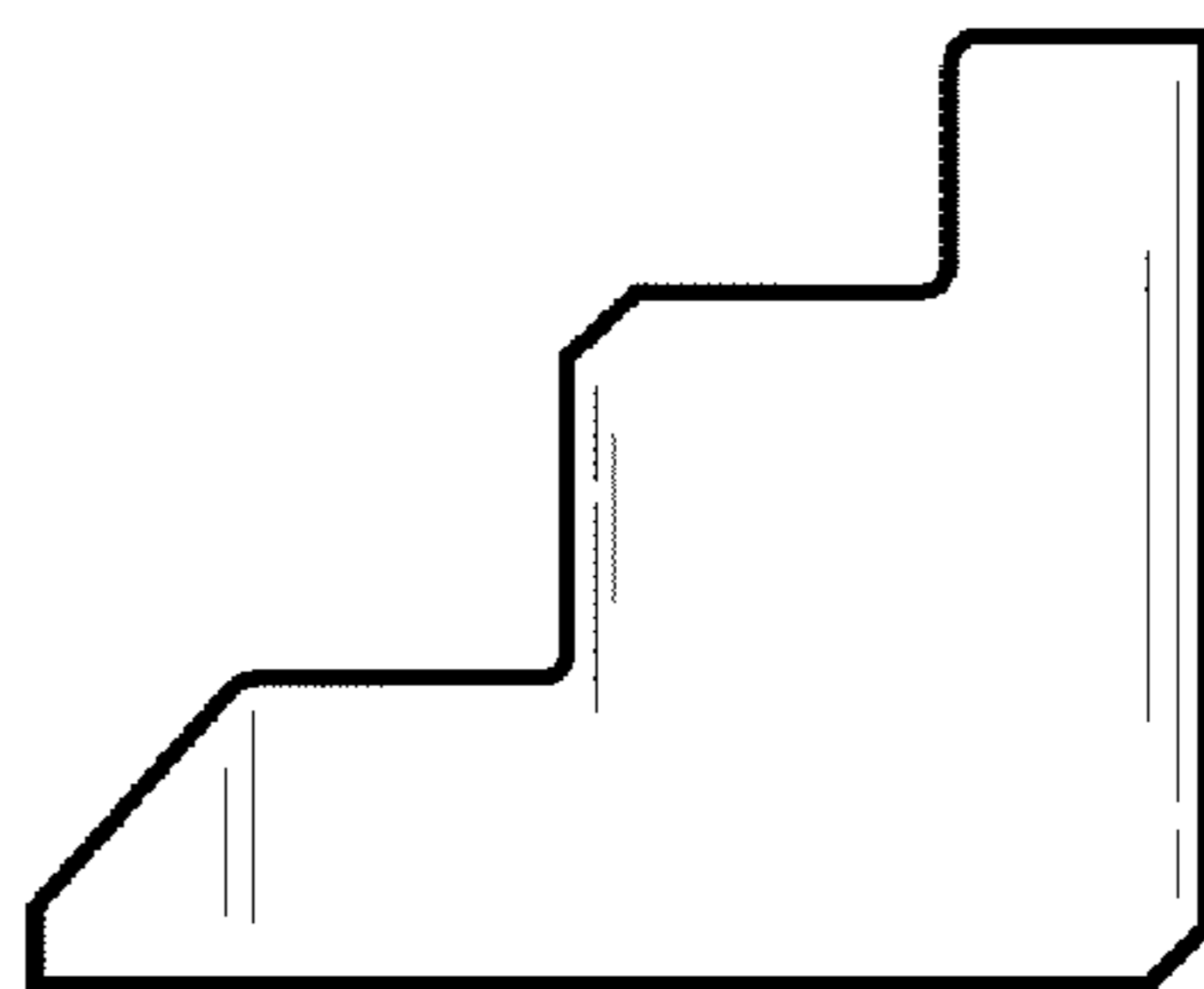


Fig. 5

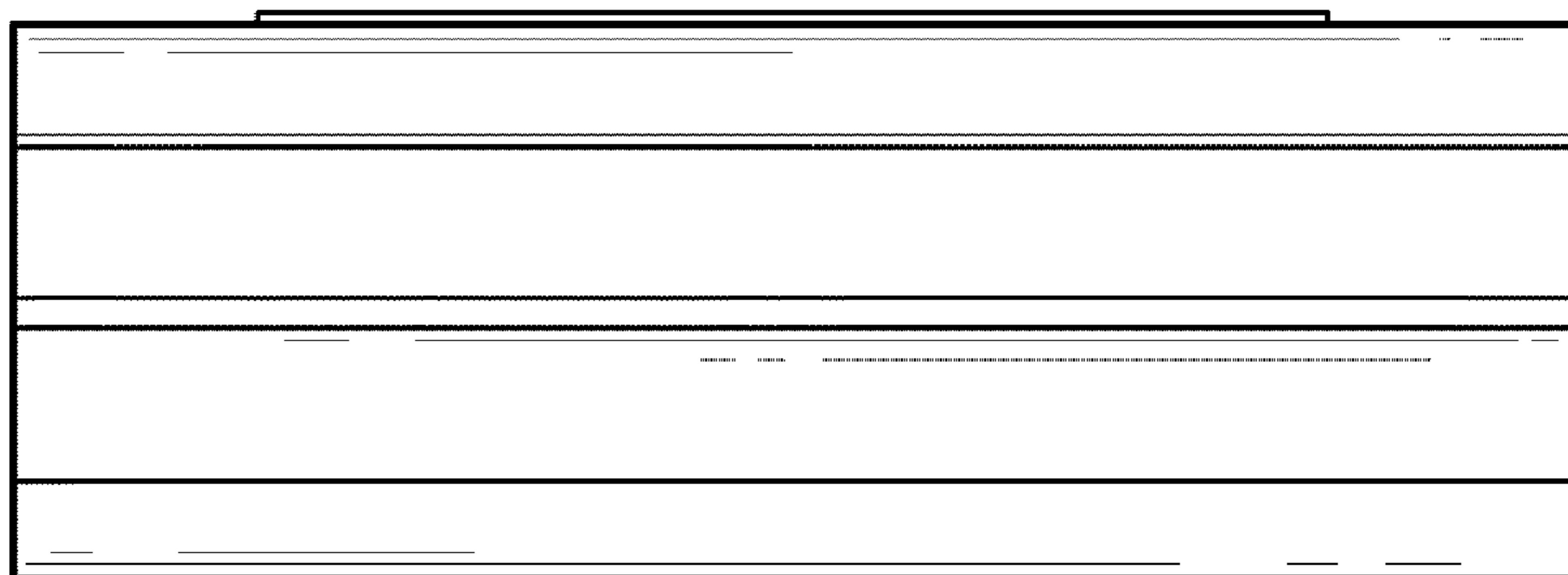


Fig. 6

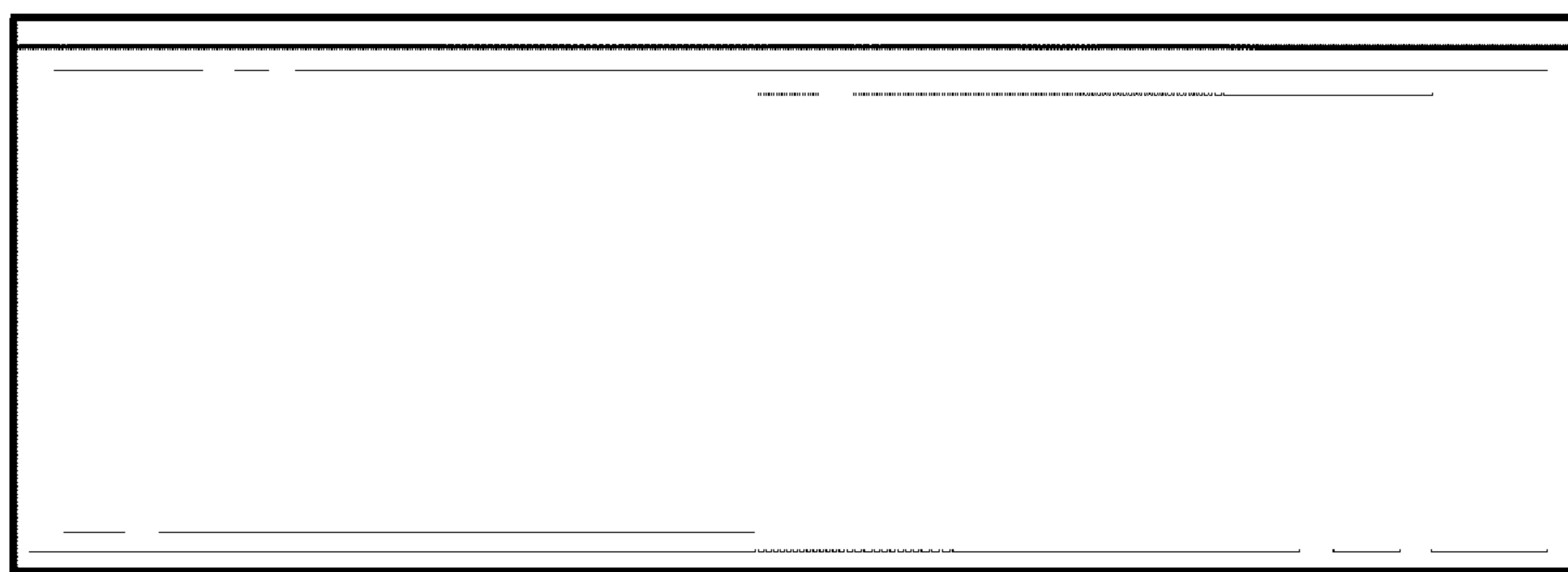


Fig. 7