



US00D642578S

(12) **United States Design Patent**
Aoki

(10) **Patent No.:** **US D642,578 S**
(45) **Date of Patent:** **** Aug. 2, 2011**

(54) **MEMORY CARD ADAPTER**

(75) Inventor: **Yoshitaka Aoki**, Tokyo (JP)

(73) Assignee: **Sony Corporation**, Tokyo (JP)

(**) Term: **14 Years**

(21) Appl. No.: **29/356,575**

(22) Filed: **Feb. 26, 2010**

(30) **Foreign Application Priority Data**

Sep. 30, 2009 (CN) 2009 3 0237165
Sep. 30, 2009 (CN) 2009 3 0237166

(51) **LOC (9) Cl.** **14-02**

(52) **U.S. Cl.** **D14/436; D14/435**

(58) **Field of Classification Search** D14/435-438,
D14/478-483, 474, 475, 335, 496, 125, 188,
D14/192, 204, 217, 265, 433, 432, 242; 235/441,
235/443, 487, 492, 493, 495, 486, 451, 479,
235/453; 361/737, 679, 752, 736, 728, 796,
361/797, 729, 730, 725-727, 740, 747, 759,
361/801, 816, 738, 766, 799, 807, 829; 257/678,
257/679, 693, E23.064; 439/946, 948, 159,
439/628, 638, 630, 267, 260, 945, 95, 140,
439/101, 67, 76.1, 108, 147, 148; 174/250,
174/260, 52.1, 52.2, 35 R, 51; 710/300-303,
710/62, 74; 438/121; D21/332, 333; 455/344-351;
369/1, 4, 6-12; 381/119, 120; 700/94; 345/156,
345/184; 312/233.2; 206/706, 701; 360/129,
360/132, 133, 135; D13/182

See application file for complete search history.

(56) **References Cited**

U.S. PATENT DOCUMENTS

D188,104 S * 6/1960 Brogden D13/182
D248,470 S * 7/1978 Talesfore D14/435
D252,753 S * 8/1979 Thompson et al. D14/438

D257,345 S * 10/1980 Levy D14/435
D263,469 S * 3/1982 Lee D14/435
D274,731 S * 7/1984 Girardi et al. D14/435
D275,095 S * 8/1984 Fang D14/435
D299,475 S * 1/1989 Munnik D19/78
D304,448 S * 11/1989 De La Cruz et al. D14/436
D305,886 S * 2/1990 Banjo et al. D14/436
D311,391 S * 10/1990 Ueshin et al. D14/438
D315,903 S * 4/1991 Nakauma D14/435
D333,464 S * 2/1993 Yoshida D14/435
D345,705 S * 4/1994 Nesbitt et al. D10/80
D350,115 S * 8/1994 Iftikar et al. D14/479
5,361,061 A * 11/1994 Mays et al. 340/7.54
D355,894 S * 2/1995 Yeomans D13/182
5,402,095 A * 3/1995 Janniere 235/441
5,502,620 A * 3/1996 Funck et al. 361/753
5,546,278 A * 8/1996 Bethurum 361/737
5,563,771 A * 10/1996 Bethurum 361/737
D376,133 S * 12/1996 Kerklaan D13/182

(Continued)

Primary Examiner — Susan Moon Lee

(74) *Attorney, Agent, or Firm* — Rader, Fishman & Grauer
PLLC

(57) **CLAIM**

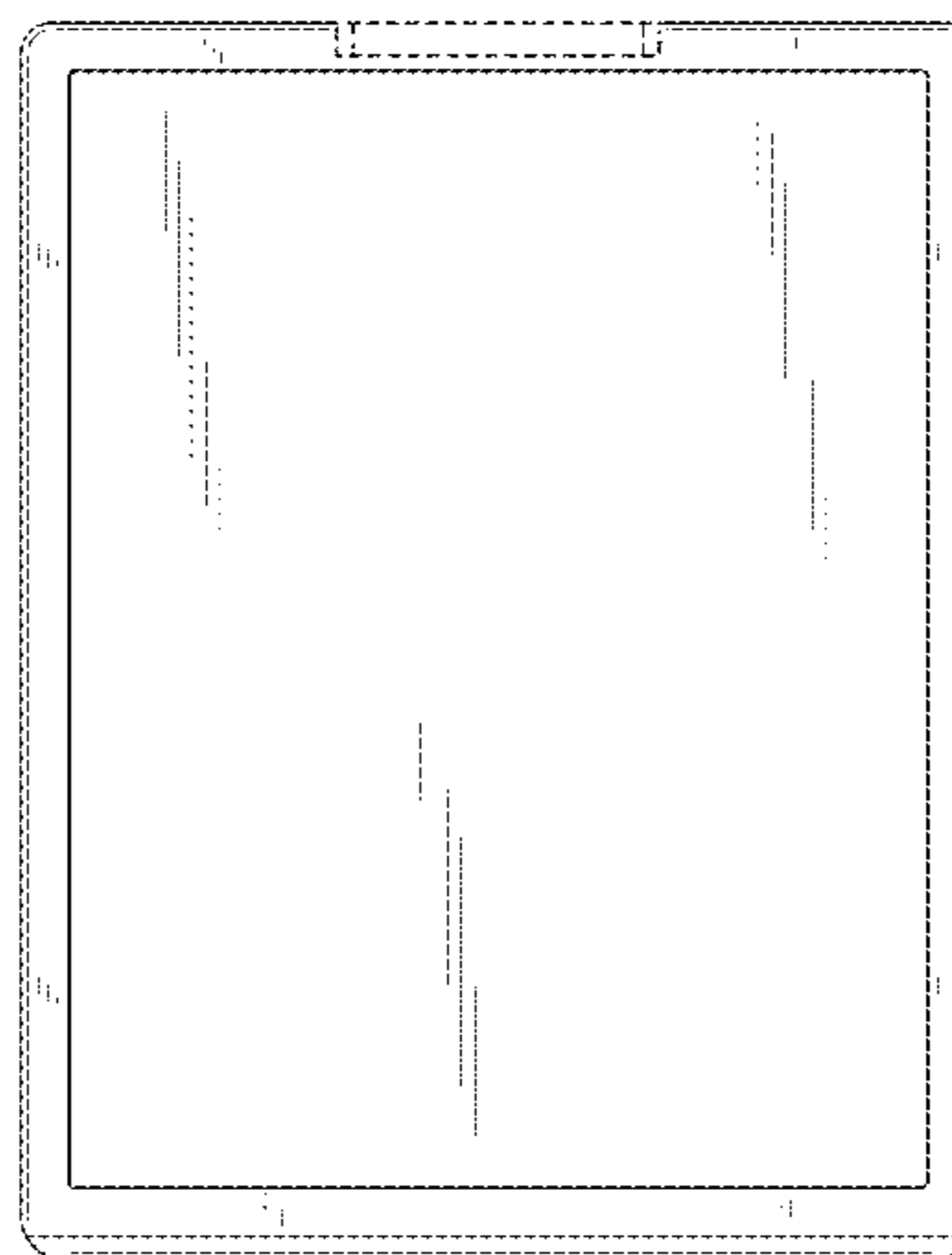
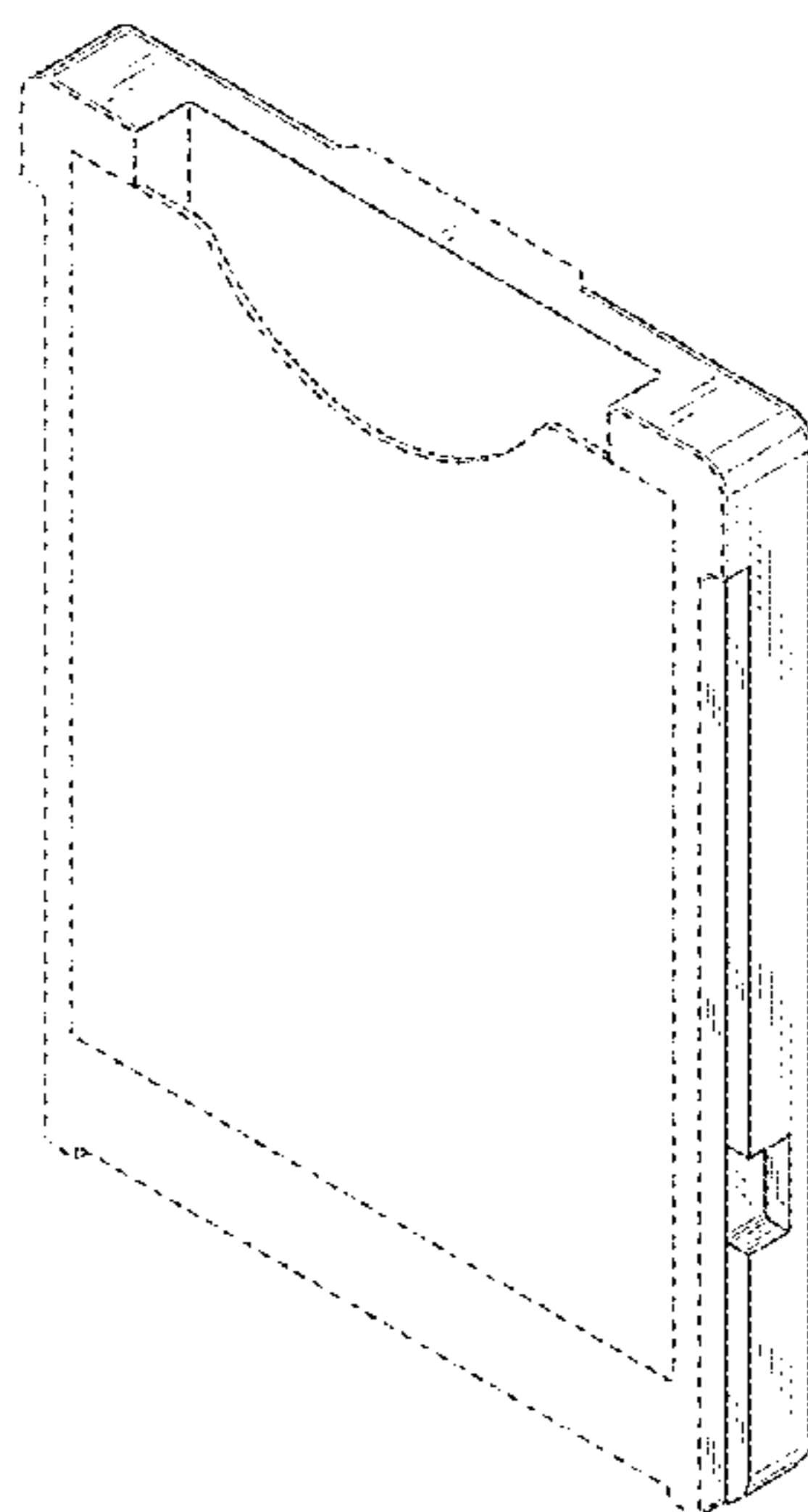
The ornamental design for a memory card adapter, as shown
and described.

DESCRIPTION

FIG. 1 is a perspective view of a first embodiment of a
memory card adapter showing my new design;
FIG. 2 is a front elevational view thereof;
FIG. 3 is a rear elevational view thereof;
FIG. 4 is a left side elevational view thereof;
FIG. 5 is a right side elevational view thereof;
FIG. 6 is a top plan view thereof; and,
FIG. 7 is a bottom plan view thereof.

Portions in broken lines are for illustrative purposes only and
form no part of claimed design. Dot-dash broken lines define
boundaries of, but are not included in, the claimed design.

1 Claim, 5 Drawing Sheets



US D642,578 S

U.S. PATENT DOCUMENTS

| | | | | | | | | | |
|-----------|------|---------|----------------------|------------|--------------|------|---------|----------------------|------------|
| D378,085 | S * | 2/1997 | Kerklaan et al. | D14/436 | D474,473 | S * | 5/2003 | Fischer et al. | D14/437 |
| D379,350 | S * | 5/1997 | Kerklaan | D13/182 | 6,611,424 | B2 * | 8/2003 | Huang | 361/679.39 |
| D382,868 | S * | 8/1997 | Ashida | D14/435 | 6,628,524 | B1 * | 9/2003 | Washino et al. | 361/737 |
| 5,653,596 | A * | 8/1997 | Banakis et al. | 439/64 | 6,632,097 | B2 * | 10/2003 | Chang | 439/76.1 |
| 5,673,181 | A * | 9/1997 | Hsu | 361/760 | 6,655,972 | B2 * | 12/2003 | Sato | 439/159 |
| 5,681,002 | A * | 10/1997 | Kikuchi | 242/347 | 6,669,095 | B2 * | 12/2003 | Kiryu et al. | 235/487 |
| 5,716,221 | A * | 2/1998 | Kantner | 439/64 | D486,830 | S | 2/2004 | Kadonaga | |
| D392,630 | S * | 3/1998 | Fussell | D14/433 | 6,699,053 | B2 * | 3/2004 | Kuroda | 439/218 |
| 5,726,867 | A * | 3/1998 | Zarrei | 361/818 | 6,705,878 | B2 * | 3/2004 | Liang | 439/76.1 |
| 5,739,500 | A * | 4/1998 | Van Beers | 219/117.1 | D492,687 | S * | 7/2004 | Yu et al. | D14/436 |
| 5,747,735 | A * | 5/1998 | Chang et al. | 174/51 | D495,335 | S | 8/2004 | Masamitsu et al. | |
| 5,752,857 | A * | 5/1998 | Knights | 439/638 | 6,783,399 | B2 * | 8/2004 | Joung | 439/630 |
| 5,768,110 | A * | 6/1998 | Frommer et al. | 361/755 | 6,786,415 | B2 * | 9/2004 | Yiu | 235/486 |
| RE35,873 | E * | 8/1998 | Simmons et al. | 361/818 | D498,760 | S * | 11/2004 | Chiang et al. | D14/436 |
| 5,833,473 | A * | 11/1998 | Betker et al. | 439/76.1 | 6,832,920 | B2 * | 12/2004 | Glad et al. | 439/131 |
| 5,839,907 | A * | 11/1998 | Kuo | 439/76.1 | D503,172 | S | 3/2005 | Izumi | |
| 5,861,602 | A * | 1/1999 | Cox et al. | 219/121.64 | D503,691 | S * | 4/2005 | Standing et al. | D13/182 |
| 5,868,338 | A * | 2/1999 | Martin et al. | 242/348 | 6,928,302 | B1 * | 8/2005 | Kinney et al. | 455/558 |
| 5,879,170 | A * | 3/1999 | Nogami | 439/76.1 | 7,012,804 | B2 * | 3/2006 | Yokote et al. | 361/679.33 |
| 5,886,402 | A * | 3/1999 | Onoda et al. | 257/679 | 7,033,221 | B2 * | 4/2006 | Bricaud et al. | 439/630 |
| 5,896,274 | A * | 4/1999 | Ishida | 361/737 | D522,068 | S * | 5/2006 | Man-tat | D21/332 |
| 5,940,275 | A * | 8/1999 | Laity | 361/737 | D523,859 | S * | 6/2006 | Deckers | D14/435 |
| D416,885 | S * | 11/1999 | Hirai et al. | D14/436 | D529,029 | S | 9/2006 | Sekine | |
| D416,886 | S * | 11/1999 | Hirai et al. | D14/436 | 7,106,337 | B2 * | 9/2006 | Lu | 345/536 |
| 6,031,278 | A * | 2/2000 | Onoda et al. | 257/679 | D530,341 | S * | 10/2006 | Maruyama et al. | D14/356 |
| D425,072 | S * | 5/2000 | Dosch et al. | D14/242 | 7,144,276 | B1 * | 12/2006 | Yang | 439/630 |
| D434,042 | S * | 11/2000 | Yasufuku et al. | D14/436 | 7,153,165 | B2 * | 12/2006 | Lai et al. | 439/630 |
| 6,144,563 | A * | 11/2000 | Feldman et al. | 361/829 | D543,206 | S * | 5/2007 | Maruyama et al. | D14/435 |
| 6,151,219 | A * | 11/2000 | Dye | 361/737 | D551,669 | S | 9/2007 | Kadonaga | |
| D435,256 | S | 12/2000 | Hibino | | D556,202 | S | 11/2007 | Kadonaga | |
| D442,964 | S * | 5/2001 | Ohtani | D14/436 | 7,309,152 | B2 * | 12/2007 | Huang | 362/612 |
| D444,789 | S | 7/2001 | Obata | | D563,430 | S * | 3/2008 | Deguchi et al. | D14/496 |
| D445,797 | S * | 7/2001 | Lee et al. | D14/436 | D563,995 | S * | 3/2008 | Deguchi et al. | D14/496 |
| 6,266,017 | B1 * | 7/2001 | Aldous | 343/702 | D591,752 | S | 5/2009 | Aoki | |
| 6,295,031 | B1 * | 9/2001 | Wallace et al. | 343/702 | D608,743 | S * | 1/2010 | Tiner | D13/182 |
| 6,313,400 | B1 * | 11/2001 | Mosquera et al. | 174/363 | D627,786 | S * | 11/2010 | Hsia | D14/435 |
| D452,243 | S * | 12/2001 | Wallace | D14/436 | D632,297 | S * | 2/2011 | Berntsen | D14/435 |
| 6,330,163 | B1 * | 12/2001 | Bates et al. | 361/737 | D632,695 | S * | 2/2011 | Berntsen | D14/435 |
| D453,934 | S * | 2/2002 | Wallace et al. | D14/436 | D633,879 | S * | 3/2011 | Heng et al. | D13/182 |
| D458,610 | S | 6/2002 | Kadonaga | | 2003/0011978 | A1 * | 1/2003 | Moore | 361/685 |
| 6,399,906 | B1 * | 6/2002 | Sato et al. | 200/61.59 | 2003/0054694 | A1 * | 3/2003 | Takamori et al. | 439/630 |
| D460,453 | S * | 7/2002 | Homma et al. | D14/435 | 2003/0235040 | A1 * | 12/2003 | Liu et al. | 361/737 |
| 6,424,542 | B1 * | 7/2002 | Benson | 361/798 | 2004/0026516 | A1 * | 2/2004 | Liu et al. | 235/492 |
| 6,524,137 | B1 * | 2/2003 | Liu et al. | 439/638 | 2004/0179345 | A1 * | 9/2004 | Yokote et al. | 361/797 |
| 6,527,188 | B1 * | 3/2003 | Shobara et al. | 235/486 | 2005/0020137 | A1 * | 1/2005 | Tanaka et al. | 439/630 |
| 6,540,560 | B1 * | 4/2003 | Ito et al. | 439/633 | 2005/0094364 | A1 * | 5/2005 | Chang et al. | 361/685 |

* cited by examiner

FIG. 1

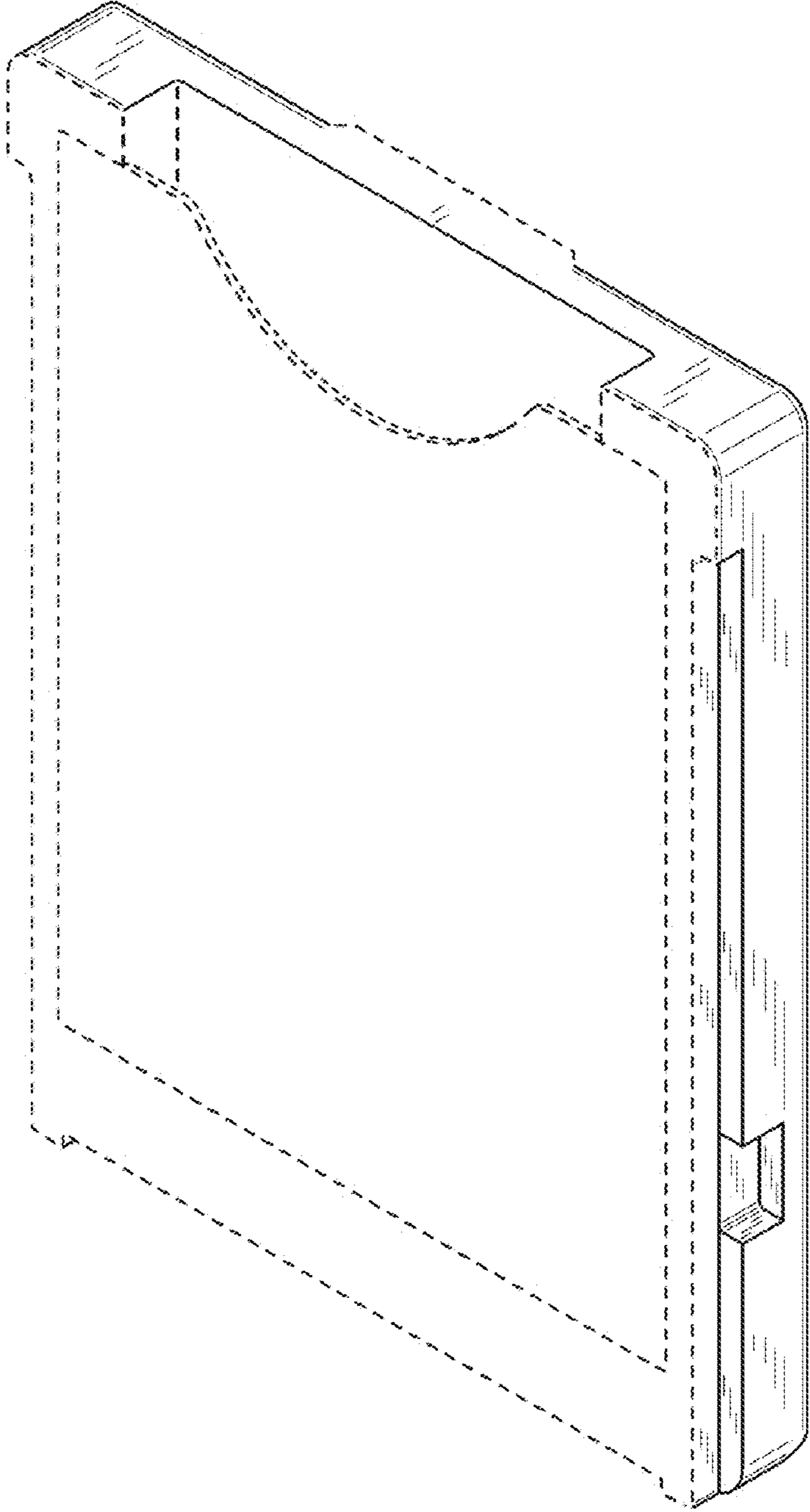


FIG.2

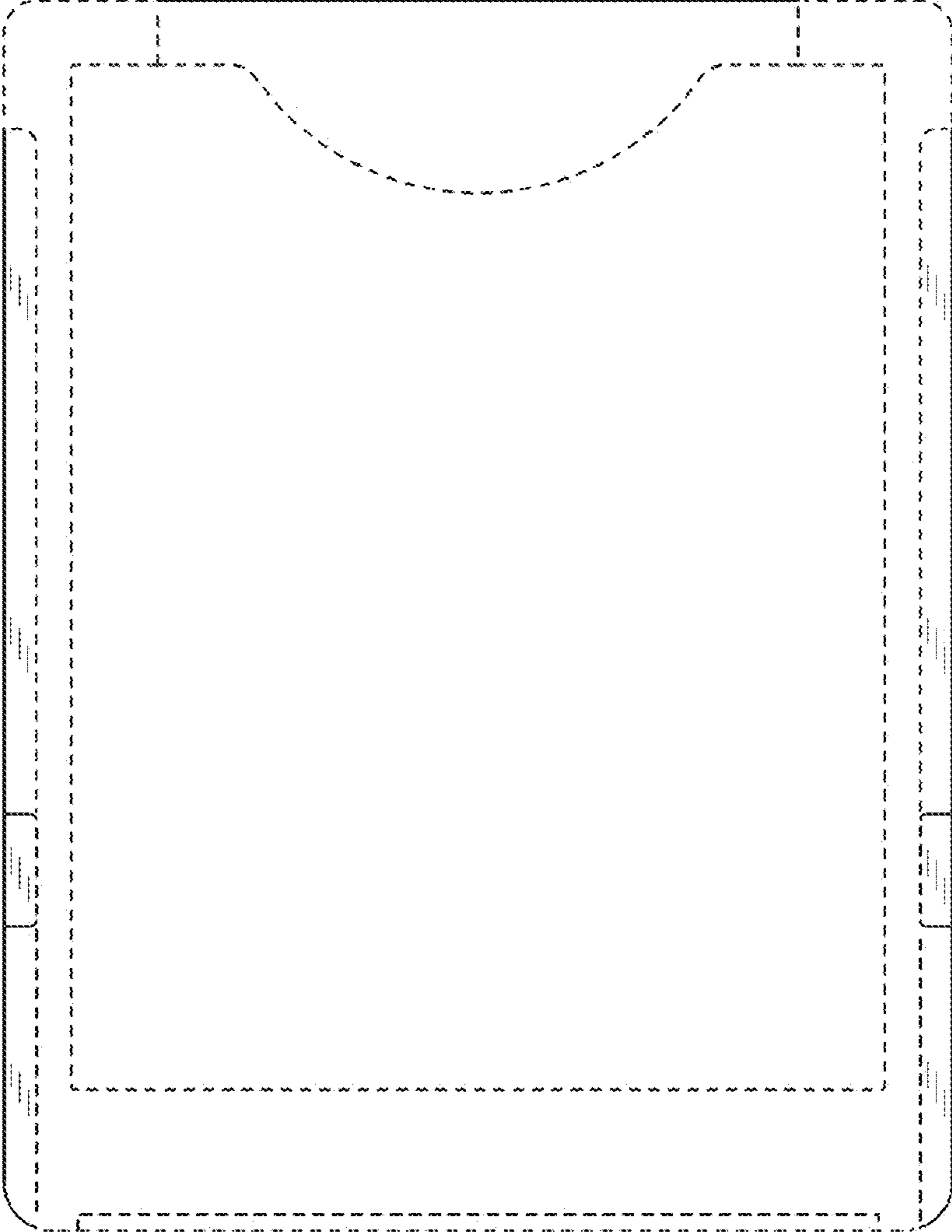


FIG. 3

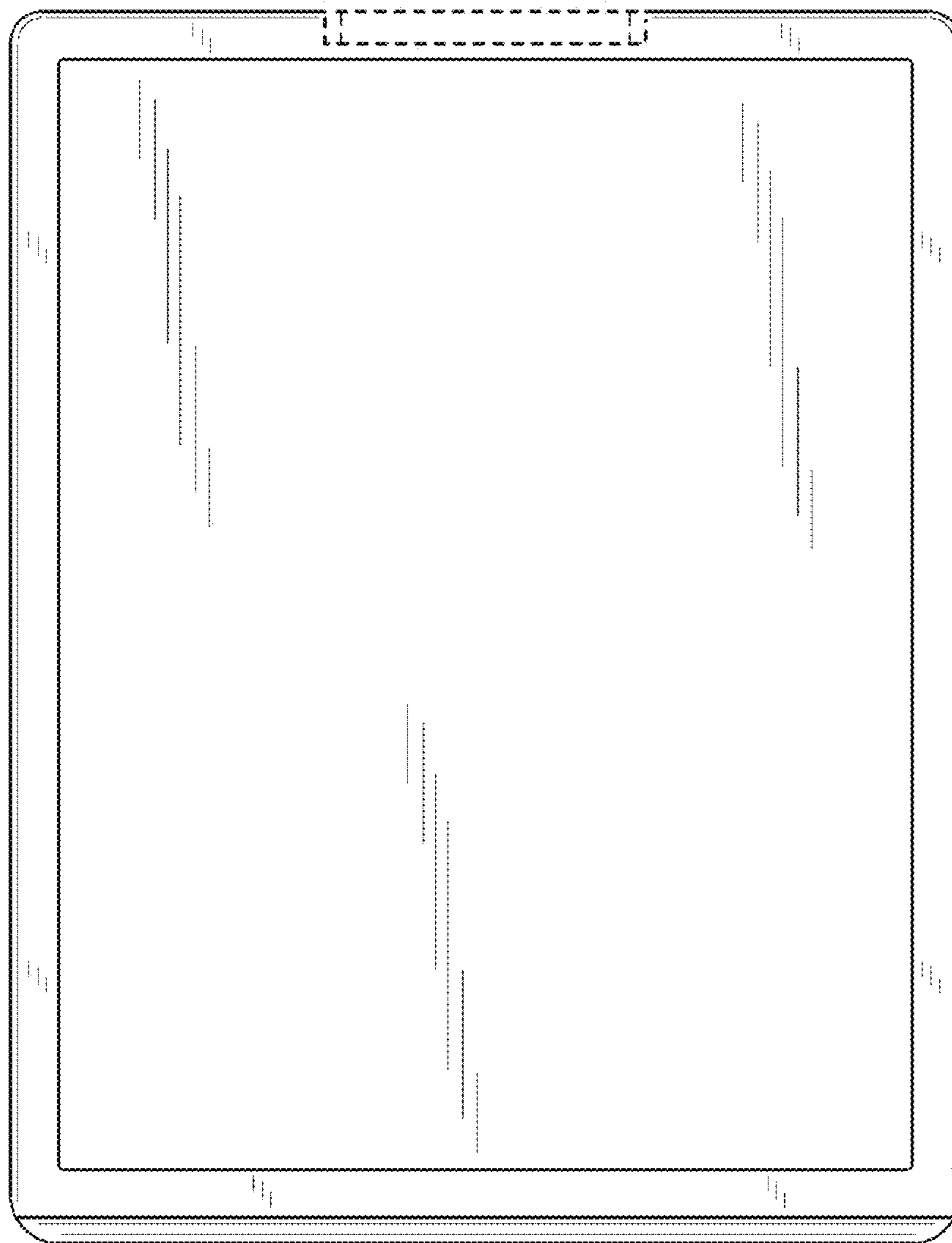


FIG. 4

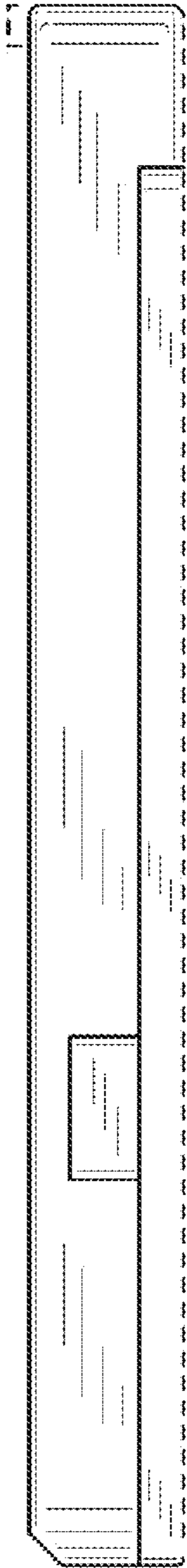


FIG. 5

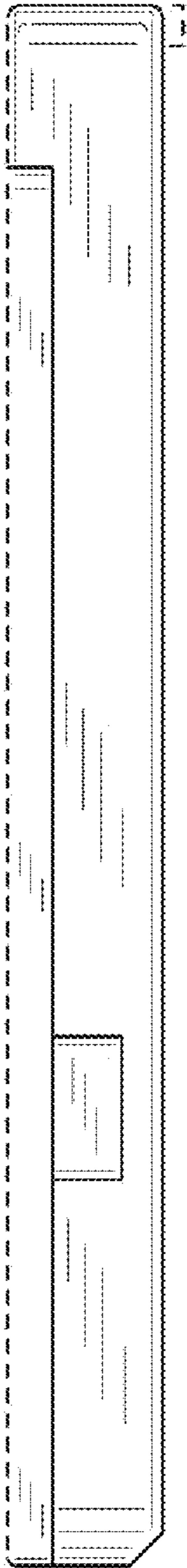


FIG. 6

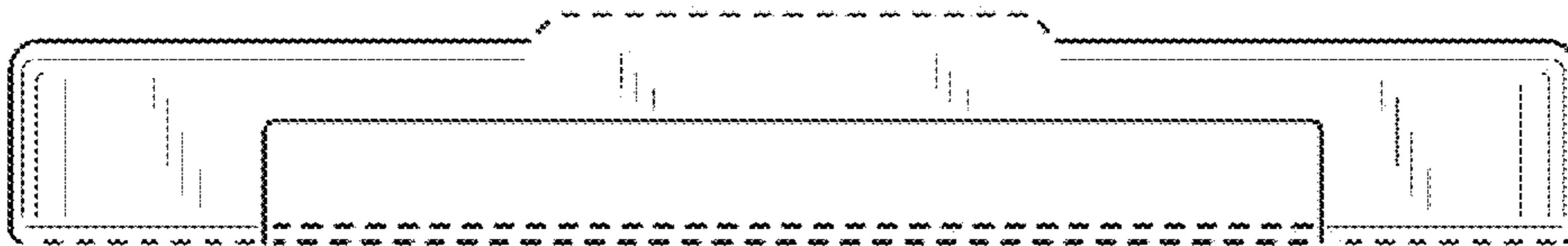


FIG. 7

