



US00D642570S

(12) **United States Design Patent**  
**Kujawski**

(10) **Patent No.:** **US D642,570 S**

(45) **Date of Patent:** **\*\* Aug. 2, 2011**

(54) **ELECTRONIC MOUSE WITH ELONGATED RAISED RIDGE**

(75) Inventor: **Christopher Kujawski**, Seattle, WA (US)

(73) Assignee: **Microsoft Corporation**, Redmond, WA (US)

(\*\*) Term: **14 Years**

(21) Appl. No.: **29/385,835**

(22) Filed: **Feb. 21, 2011**

(51) **LOC (9) Cl.** ..... **14-02**

(52) **U.S. Cl.** ..... **D14/402**

(58) **Field of Classification Search** ..... D14/402-411,  
D14/356, 388, 389, 383-385, 417, 426;  
345/156-167; 463/36-38; 358/471, 473;  
273/148 B

See application file for complete search history.

(56) **References Cited**

**U.S. PATENT DOCUMENTS**

D443,616 S *	6/2001	Fisher et al.	.....	D14/402
D543,545 S *	5/2007	Fisher	.....	D14/402
D560,663 S *	1/2008	Chatterjee	.....	D14/409
D580,938 S *	11/2008	Simonian et al.	.....	D14/402
D581,416 S *	11/2008	Simonian et al.	.....	D14/402
D592,665 S *	5/2009	Andre et al.	.....	D14/402
D616,443 S	5/2010	Chatterjee et al.		

**FOREIGN PATENT DOCUMENTS**

EM	001193999	4/2010
EM	001230627	9/2010

**OTHER PUBLICATIONS**

“Design and Evaluation of Interaction Models for Multi-touch Mice”. In Proceedings of Graphics Interface 2010. pp. 253-260, dated 2010.

Belkin Washable Mouse, <http://www.gadgetgrid.com/2008/04/16/belkin-washable-mouse/> dated Apr. 16, 2008, accessed Feb. 21, 2011.

\* cited by examiner

*Primary Examiner* — Austin Murphy

(74) *Attorney, Agent, or Firm* — Banner & Witcoff, Ltd.

(57) **CLAIM**

The ornamental design for an electronic mouse with elongated raised ridge, as shown and described.

**DESCRIPTION**

FIG. 1 is a perspective view of an electronic mouse with elongated raised ridge showing the new design;

FIG. 2 is a front view thereof;

FIG. 3 is a top view thereof;

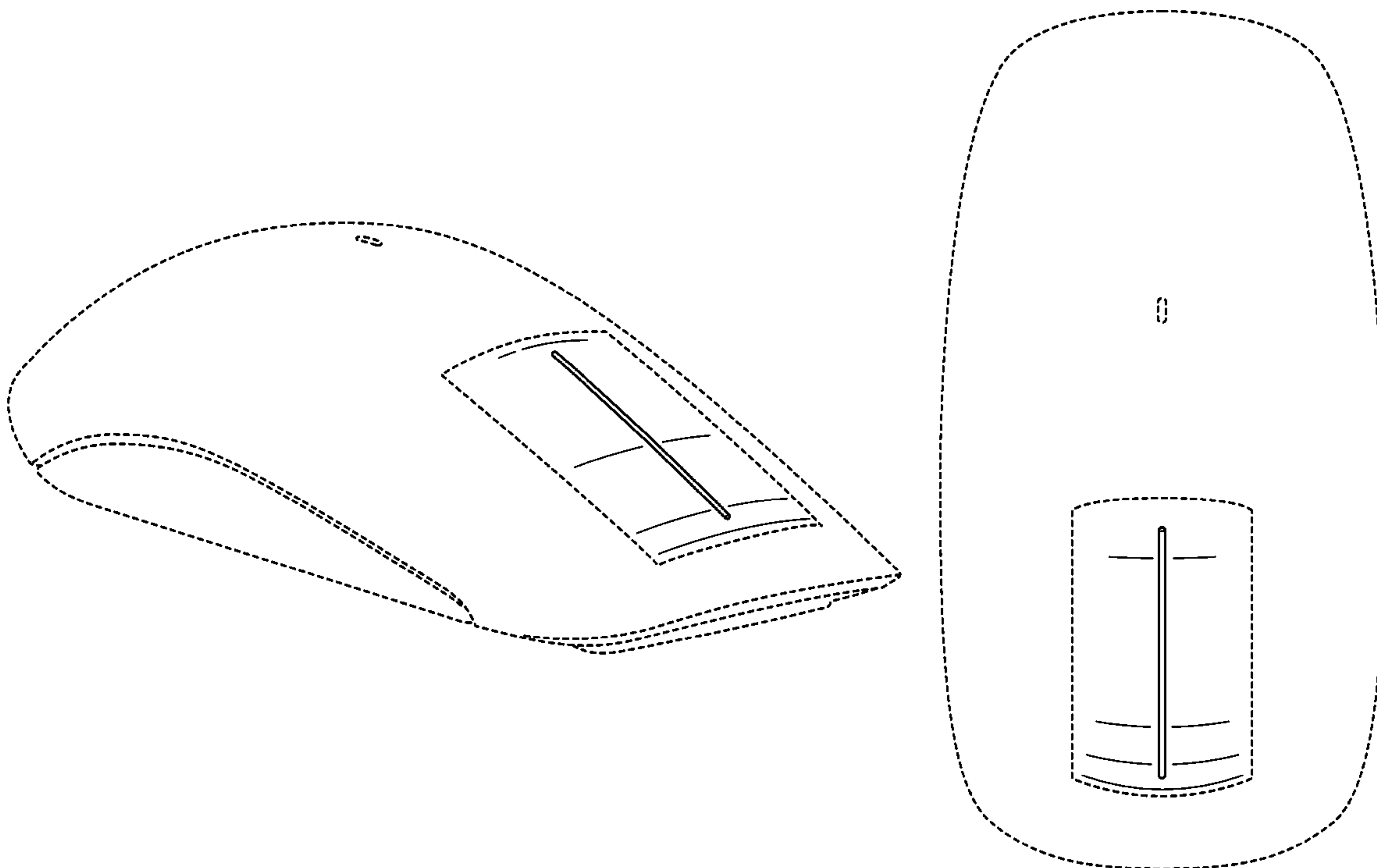
FIG. 4 is a left side view thereof;

FIG. 5 is a right side view thereof; and,

FIG. 6 is an enlarged perspective view of the claimed region.

The broken lines shown in the drawings represent portions of the electronic mouse with elongated raised ridge that form no part of the claimed design.

**1 Claim, 5 Drawing Sheets**



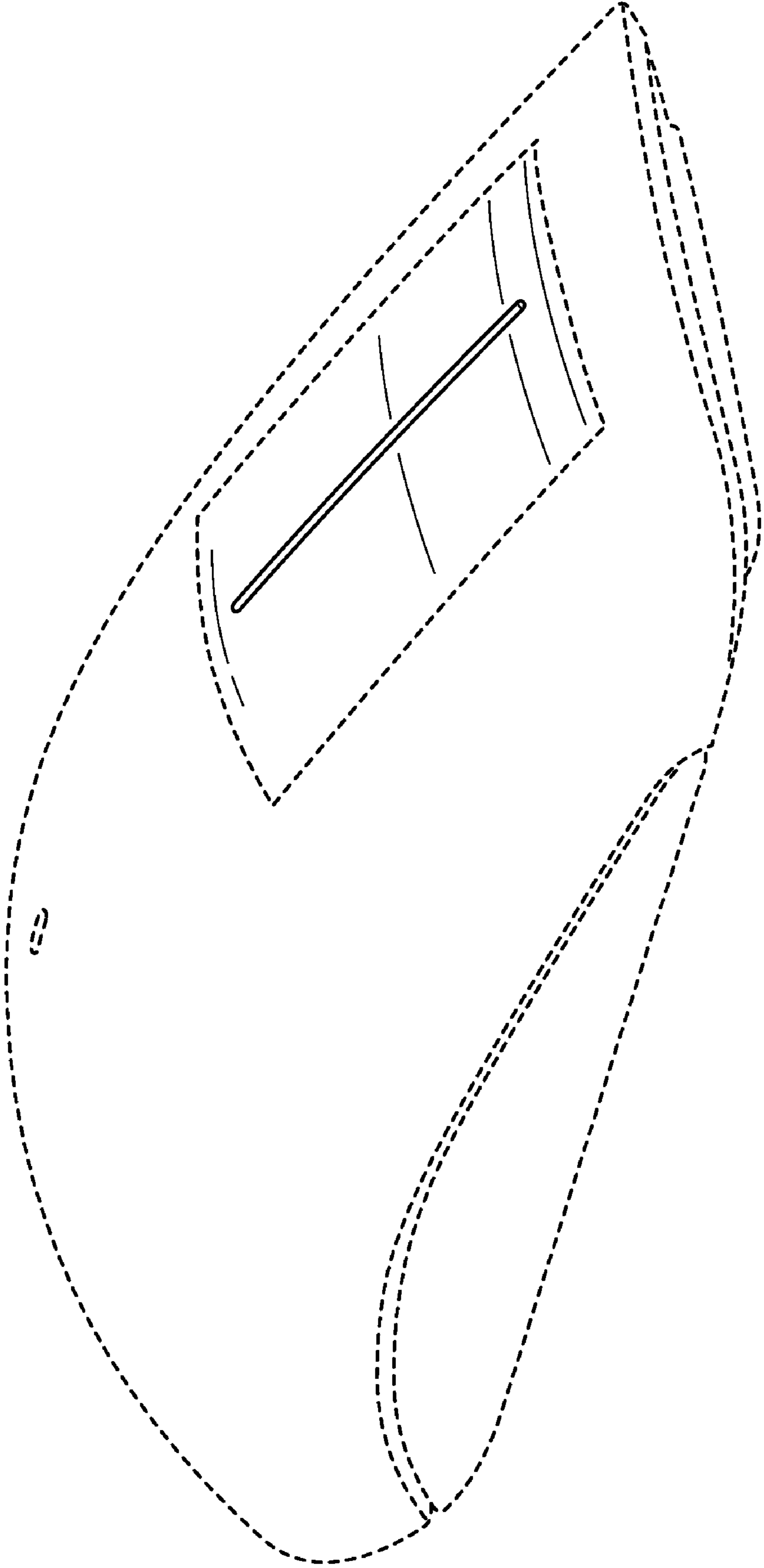


FIG. 1

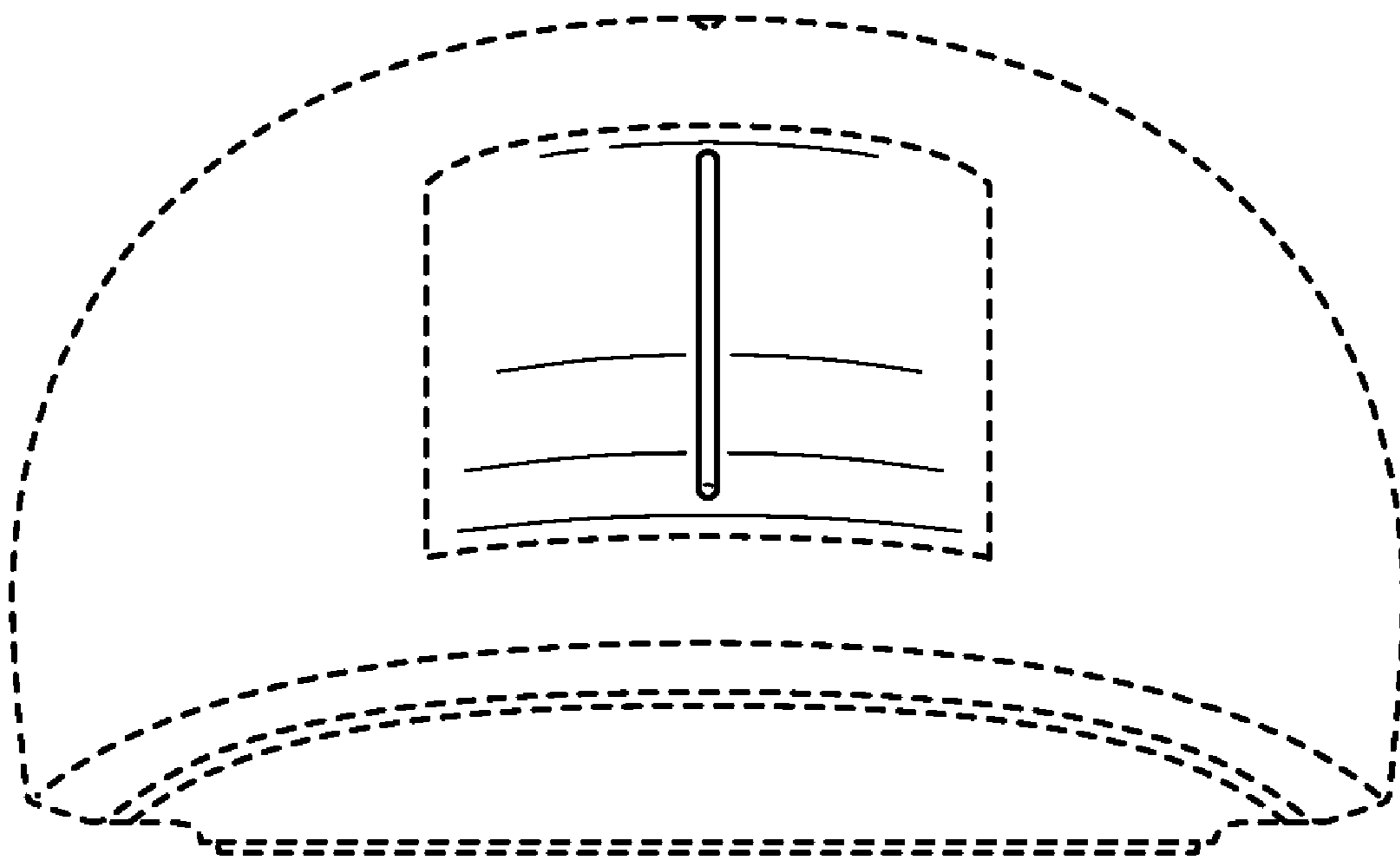


FIG. 2

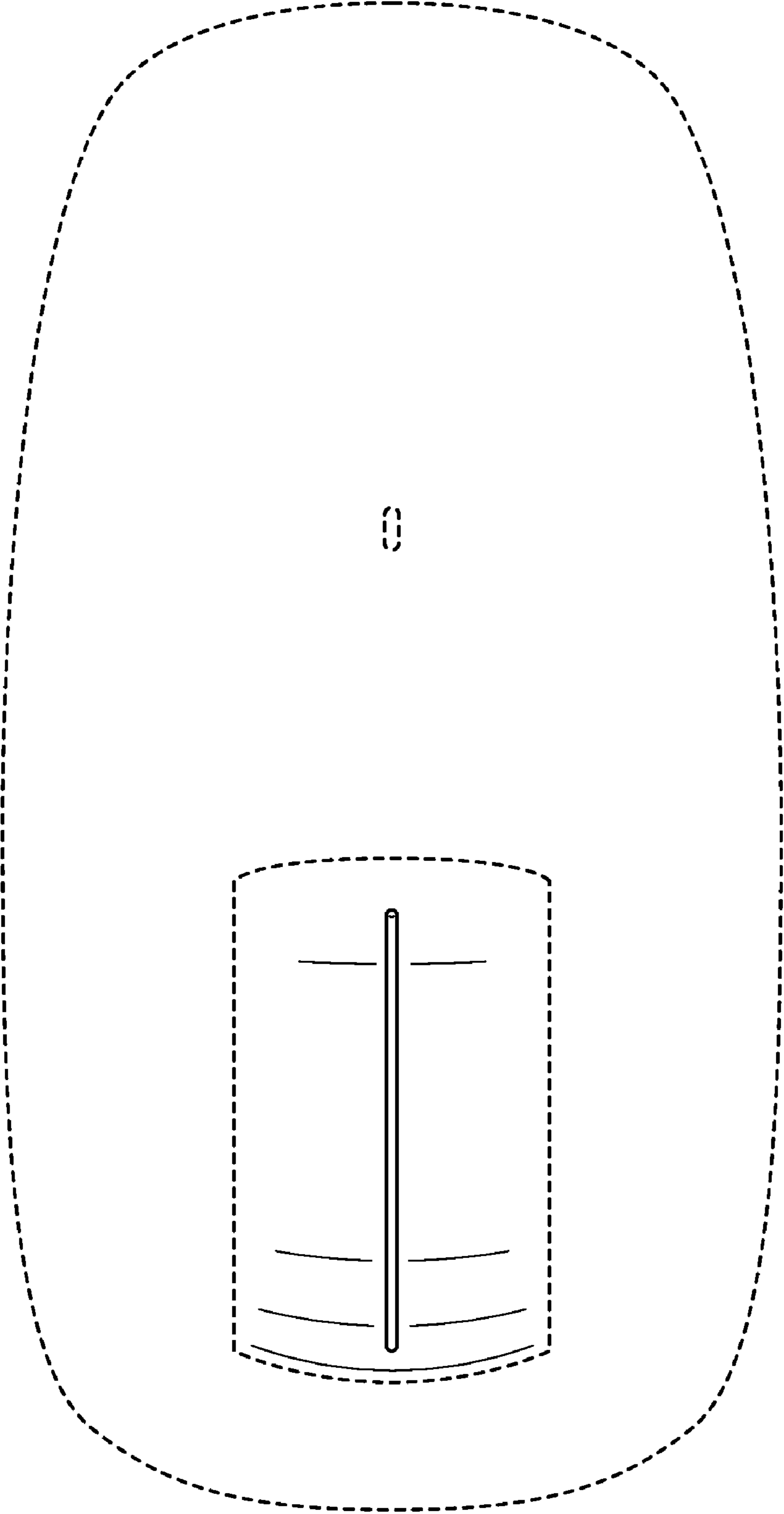


FIG. 3

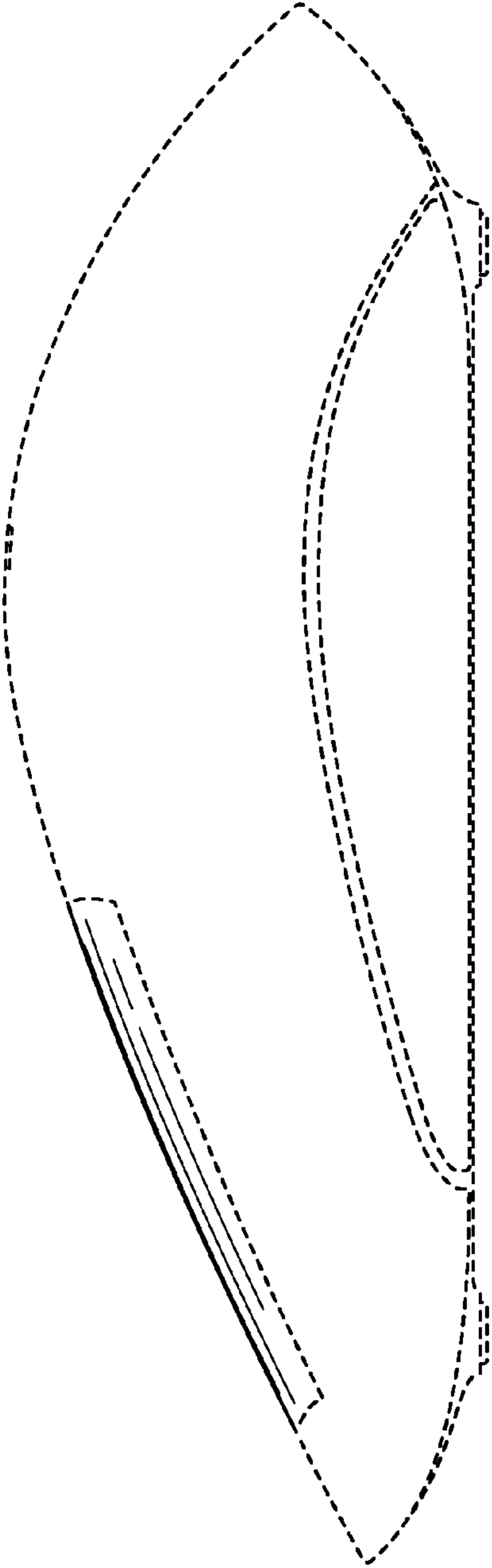


FIG. 4

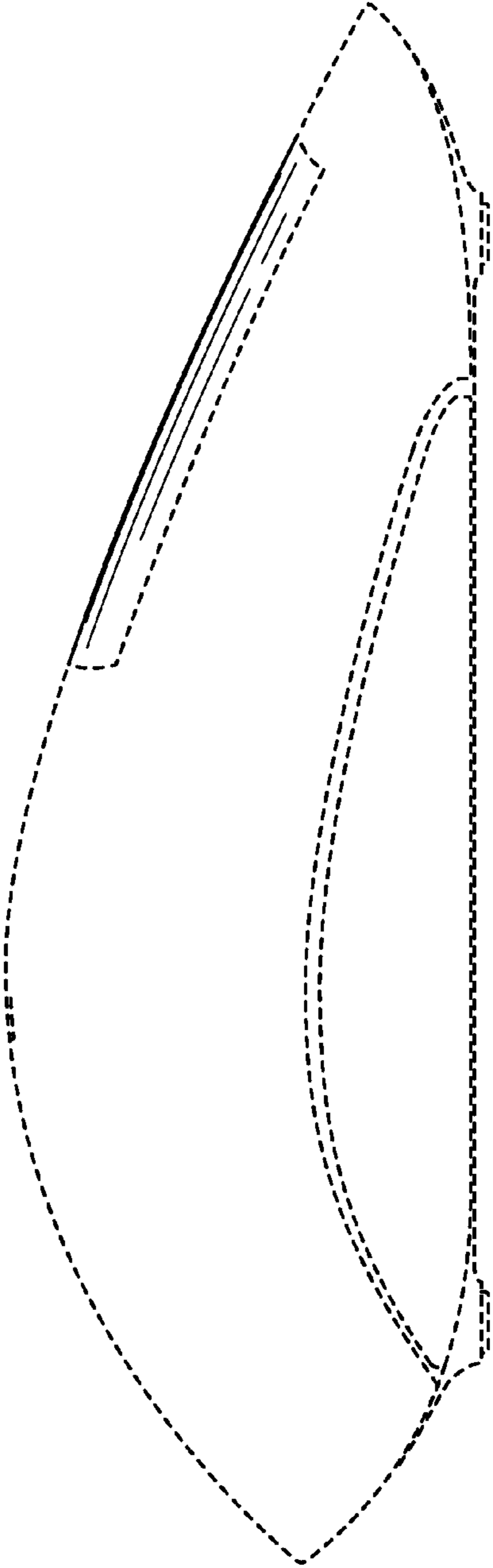


FIG. 5

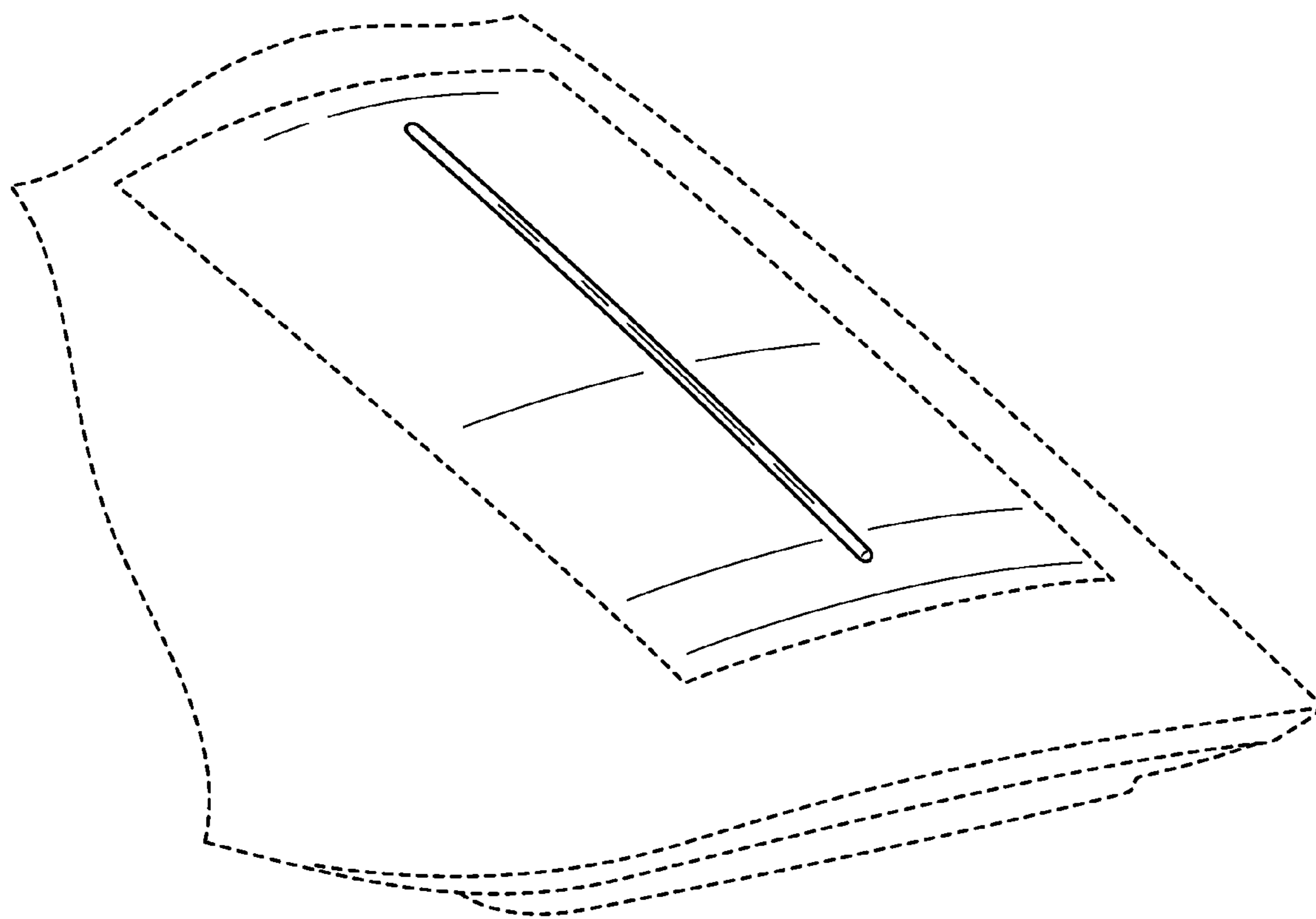


FIG. 6