

US00D642568S

(12) **United States Design Patent**
Kujawski

(10) **Patent No.:** **US D642,568 S**

(45) **Date of Patent:** **** Aug. 2, 2011**

(54) **ELECTRONIC MOUSE**

(75) Inventor: **Christopher Kujawski**, Seattle, WA
(US)

(73) Assignee: **Microsoft Corporation**, Redmond, WA
(US)

(**) Term: **14 Years**

(21) Appl. No.: **29/385,832**

(22) Filed: **Feb. 21, 2011**

(51) **LOC (9) Cl.** **14-02**

(52) **U.S. Cl.** **D14/402**

(58) **Field of Classification Search** D14/402-411,
D14/356, 388, 389, 383-385, 417, 426;
345/156-167; 463/36-38; 358/471, 473;
273/148 B

See application file for complete search history.

(56) **References Cited**

U.S. PATENT DOCUMENTS

D479,843 S *	9/2003	Mori	D14/408
D580,938 S *	11/2008	Simonian et al.	D14/402
D581,416 S *	11/2008	Simonian et al.	D14/402
D591,748 S *	5/2009	Hu et al.	D14/402
D593,096 S *	5/2009	Bolotin et al.	D14/402
D595,296 S *	6/2009	Chatterjee et al.	D14/402
D596,181 S *	7/2009	Bolotin et al.	D14/406
D607,455 S *	1/2010	Reed et al.	D14/408
D607,456 S *	1/2010	Reed et al.	D14/408
D616,443 S	5/2010	Chatterjee et al.	
D616,444 S *	5/2010	Lacotta et al.	D14/402
D616,887 S *	6/2010	Le Guen et al.	D14/407
D617,324 S *	6/2010	Fang et al.	D14/402
D629,804 S *	12/2010	Hoehn et al.	D14/408

FOREIGN PATENT DOCUMENTS

EM	001193999	4/2010
EM	001230627	9/2010

OTHER PUBLICATIONS

“Design and Evaluation of Interaction Models for Multi-touch Mice”. In Proceedings of Graphics Interface 2010. pp. 253-260, dated 2010.

Belkin Washable Mouse, <http://www.gadgetgrid.com/2008/04/16/belkin-washable-mouse/> dated Apr. 16, 2008, accessed Feb. 21, 2011.

* cited by examiner

Primary Examiner — Austin Murphy

(74) *Attorney, Agent, or Firm* — Banner & Witcoff, Ltd.

(57) **CLAIM**

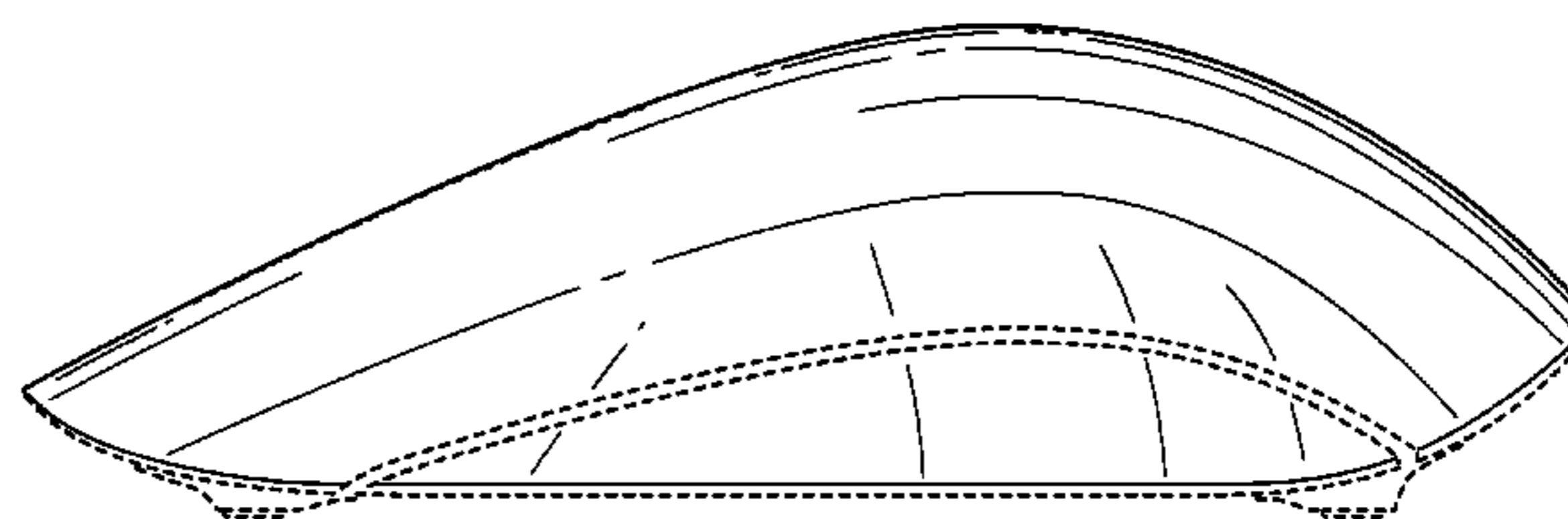
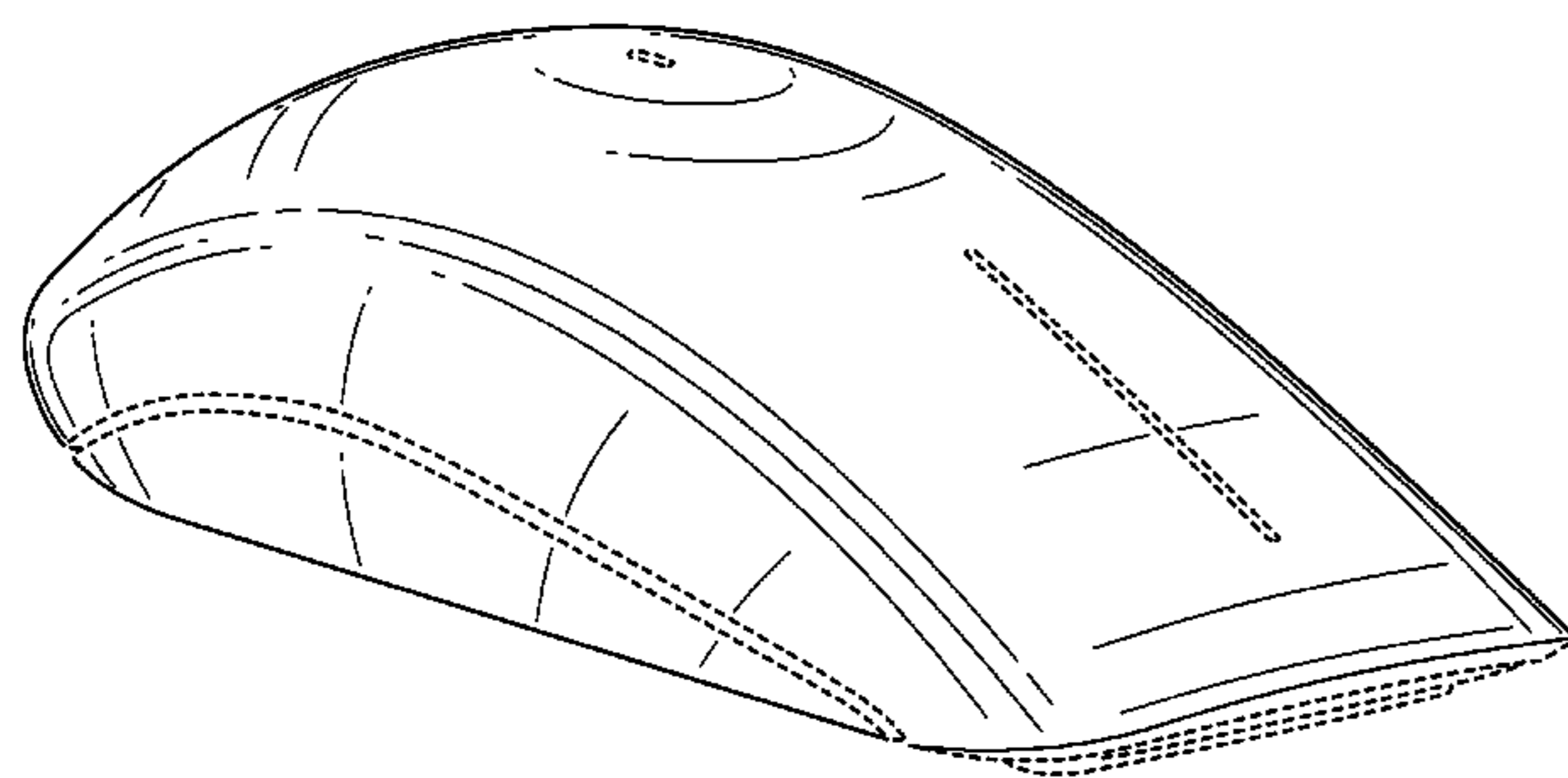
The ornamental design for an electronic mouse, as shown and described.

DESCRIPTION

FIG. 1 is a perspective view of an electronic mouse showing the new design;
FIG. 2 is a top view thereof;
FIG. 3 is a left side view thereof;
FIG. 4 is a right side view thereof;
FIG. 5 is a front view thereof;
FIG. 6 is a rear view thereof; and,
FIG. 7 is a bottom view thereof.

The broken lines shown in the drawings represent portions of the electronic mouse that form no part of the claimed design.

1 Claim, 5 Drawing Sheets



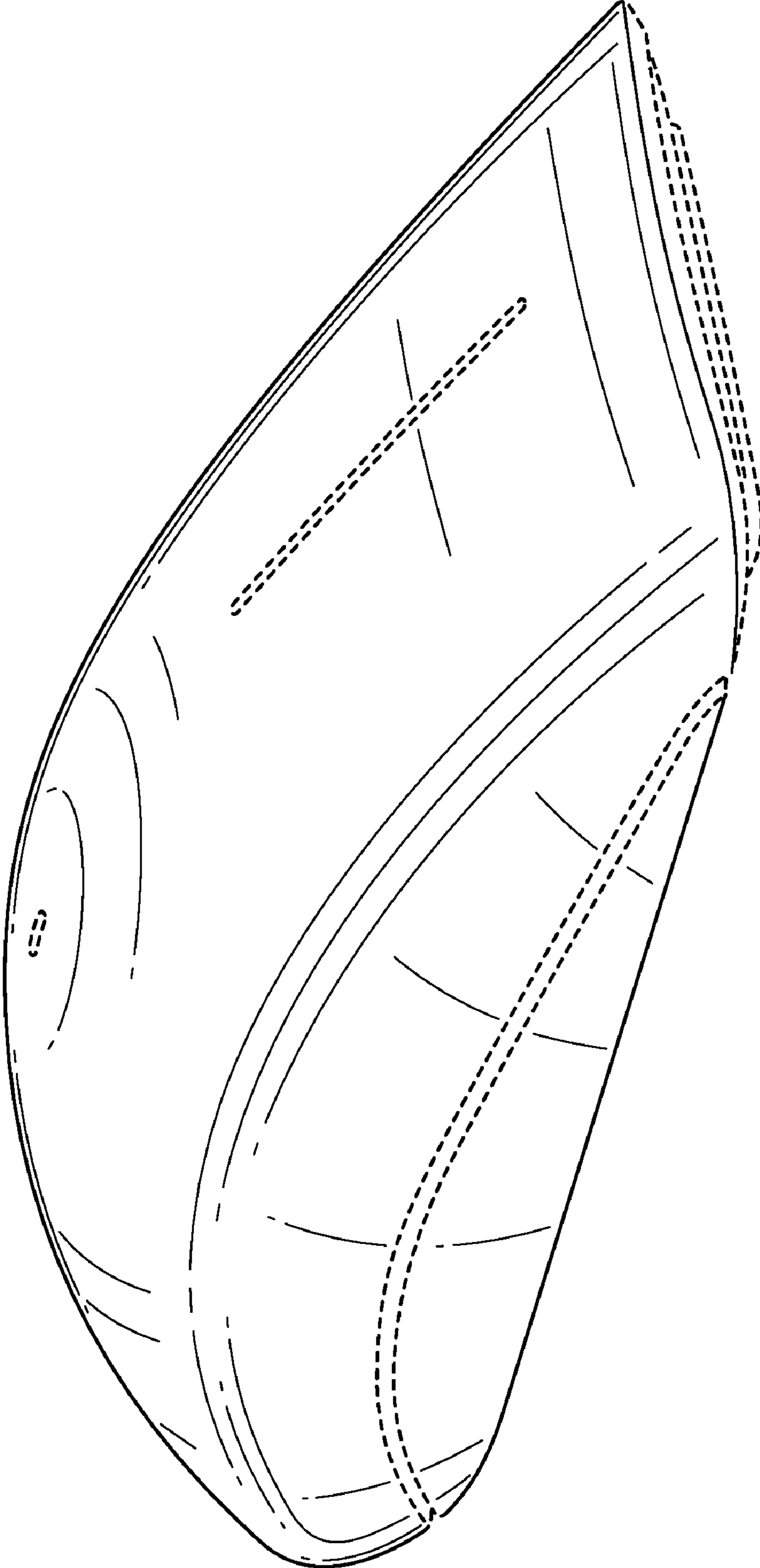


FIG. 1

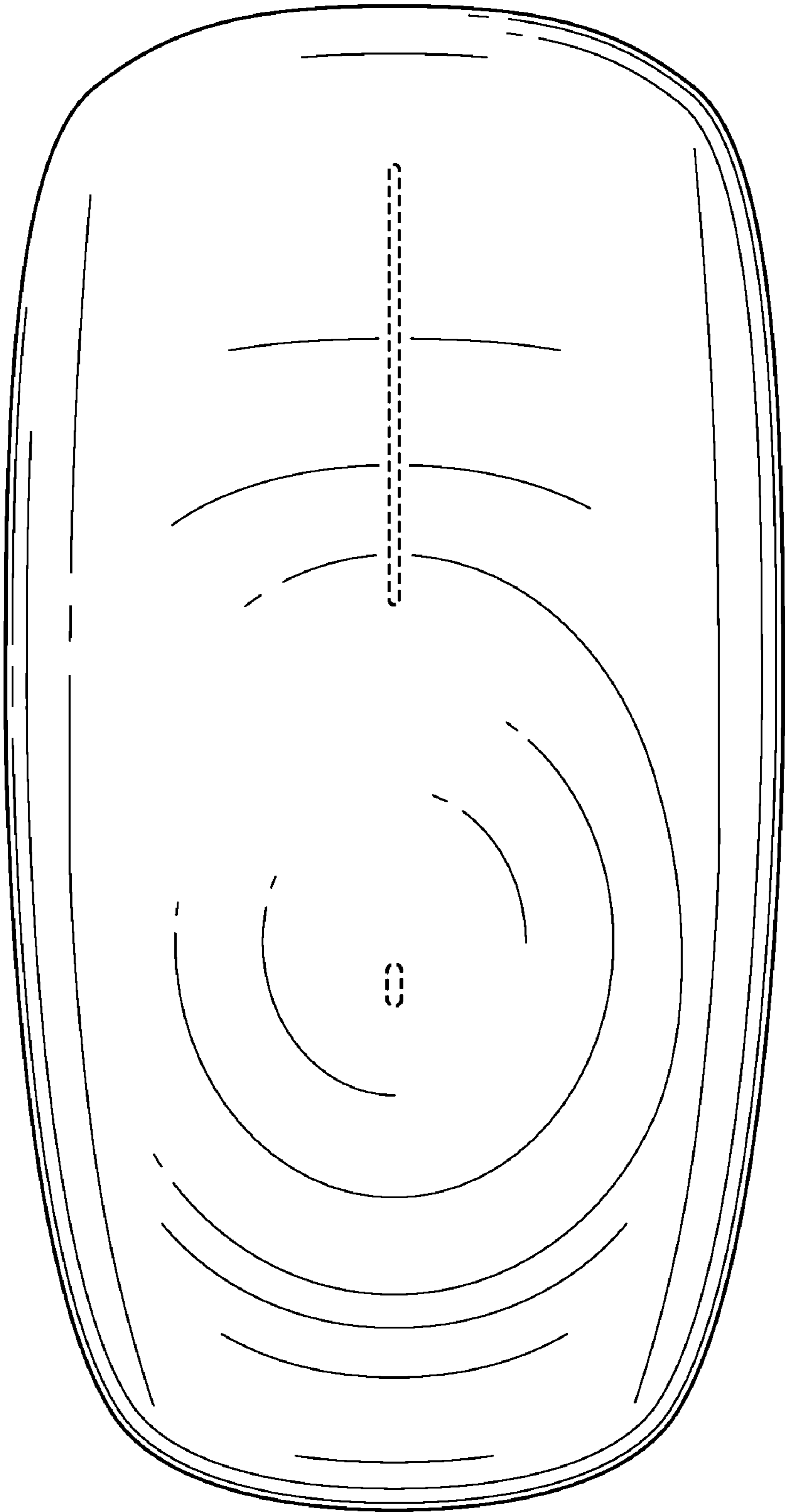


FIG. 2

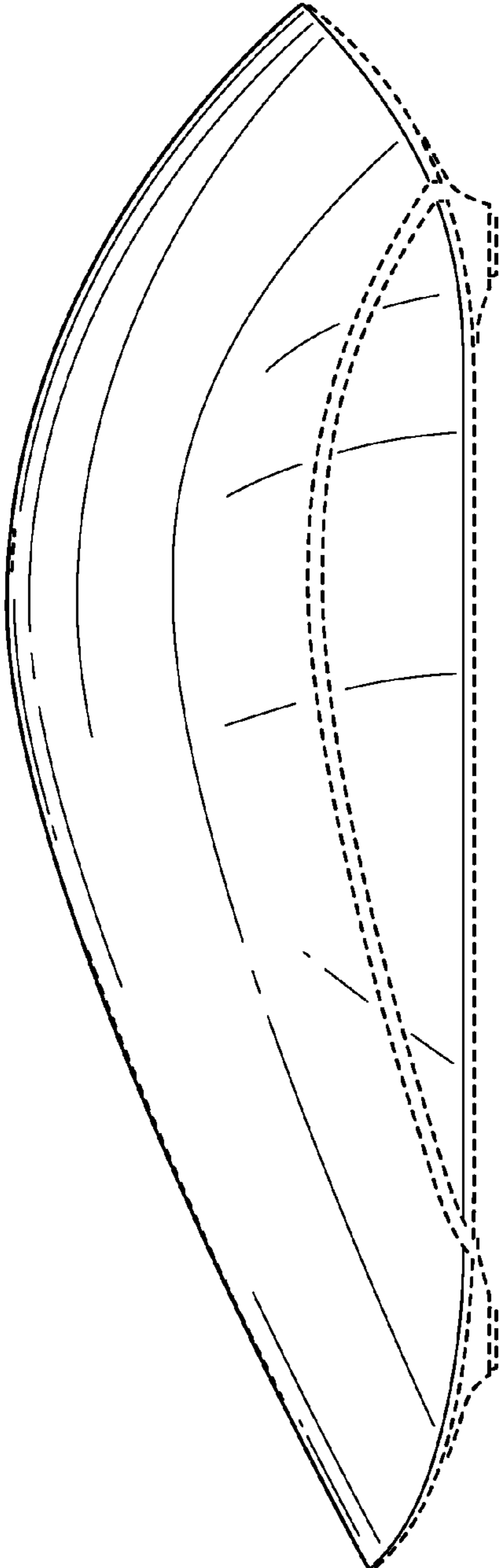


FIG. 3

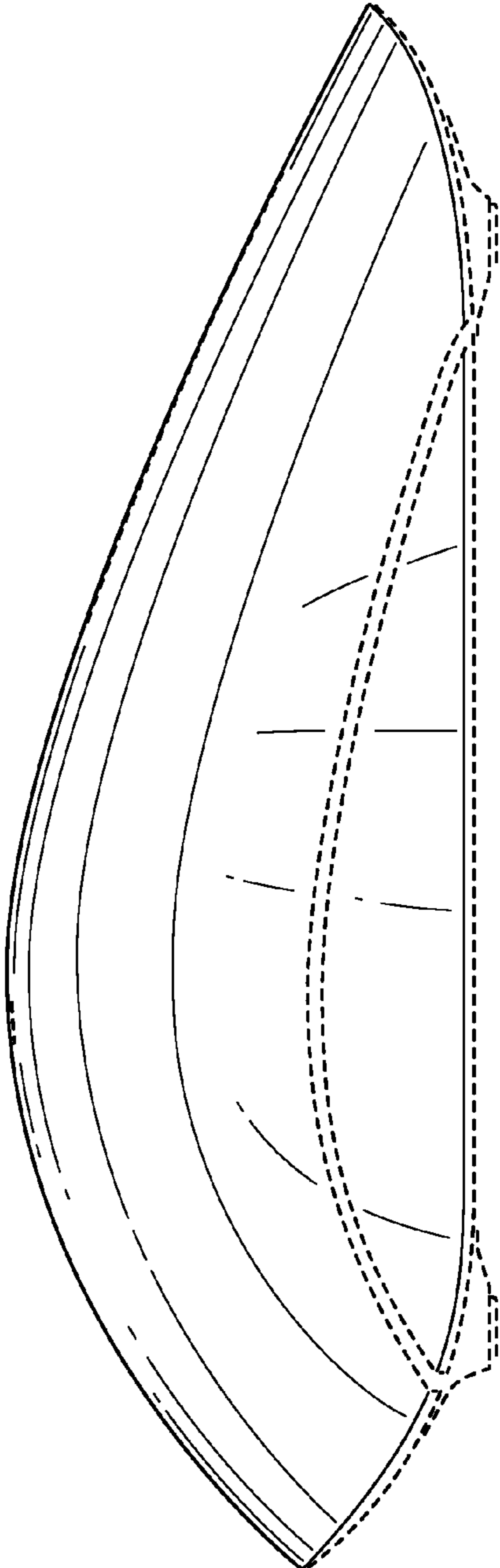


FIG. 4

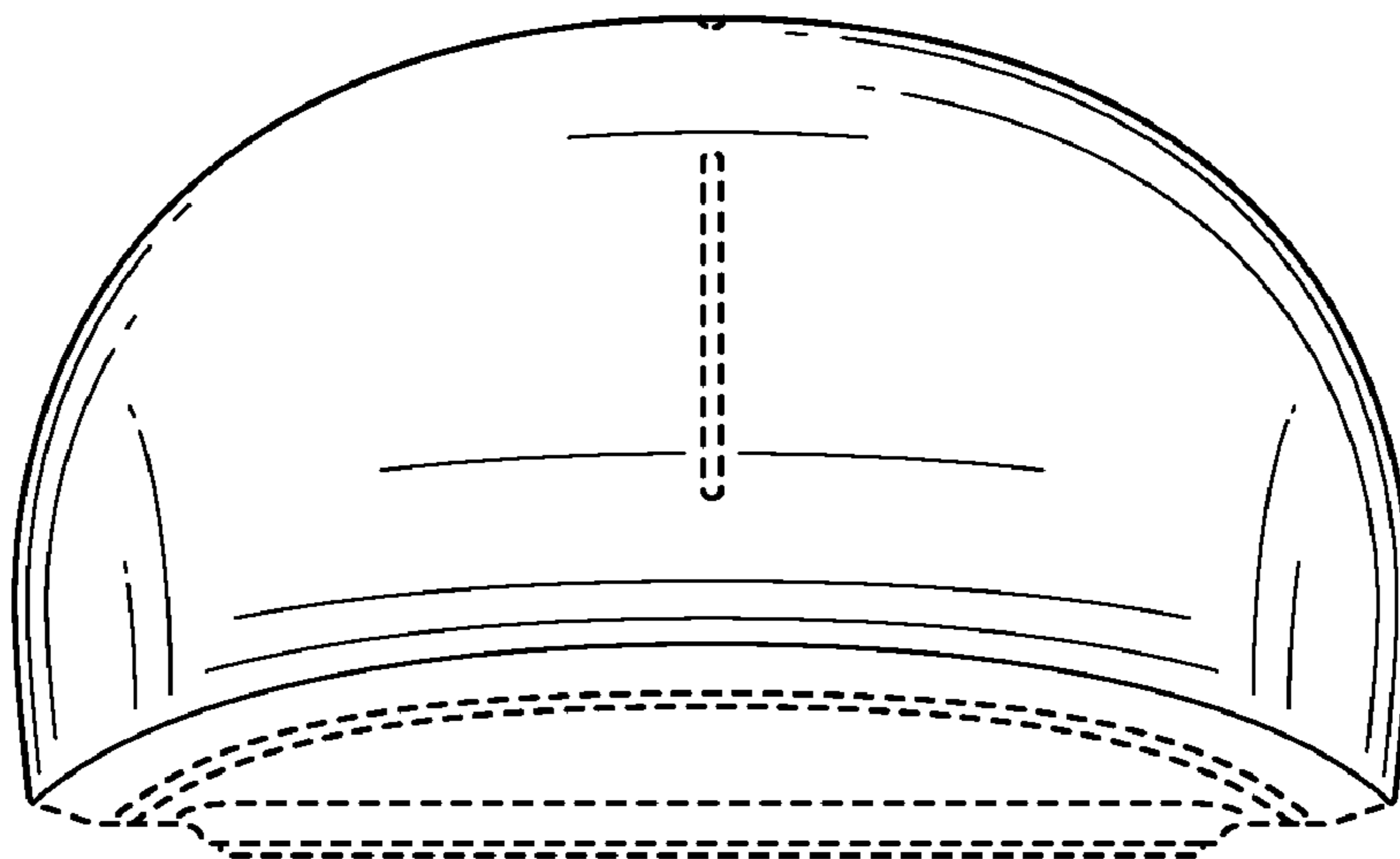


FIG. 5

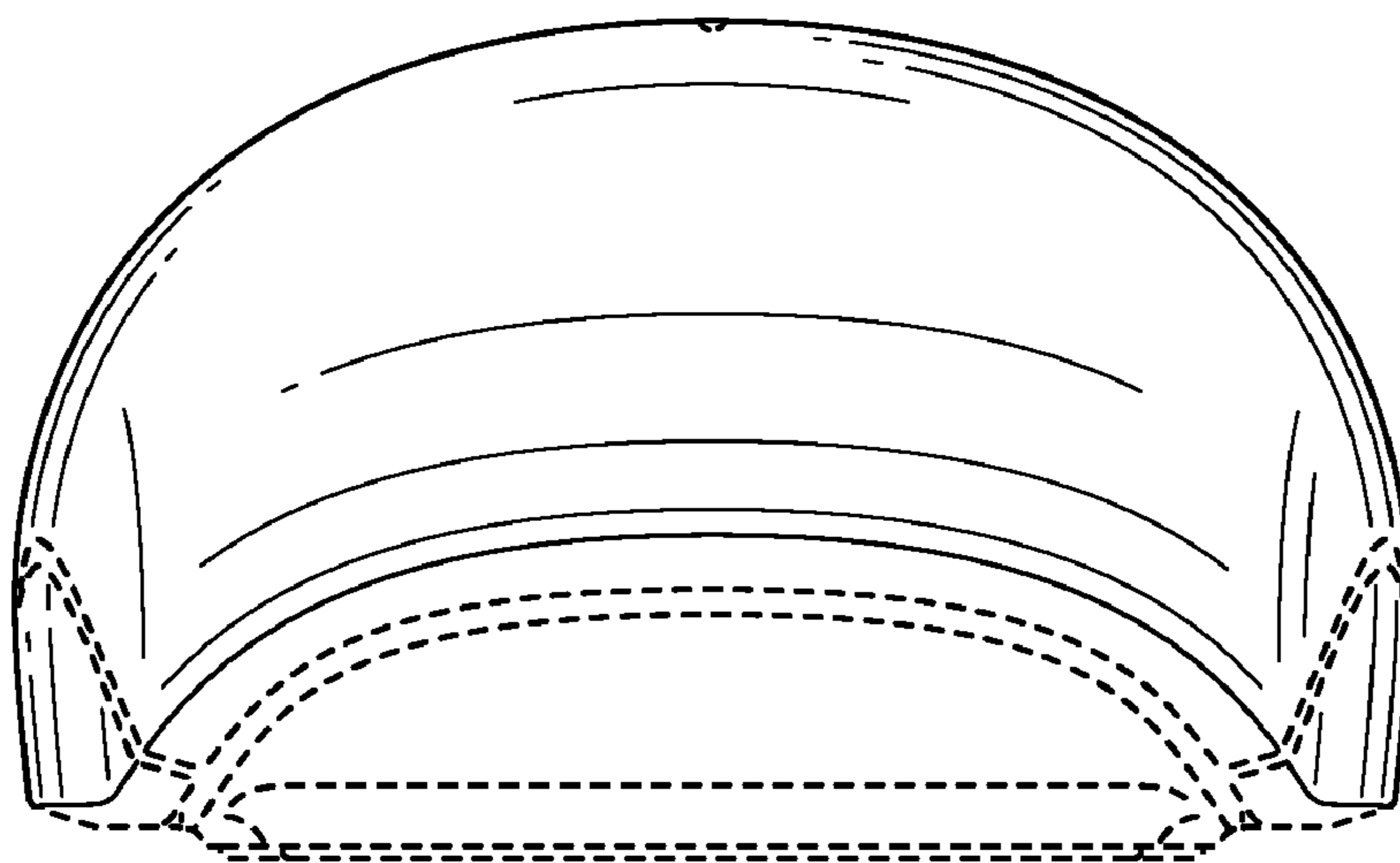


FIG. 6

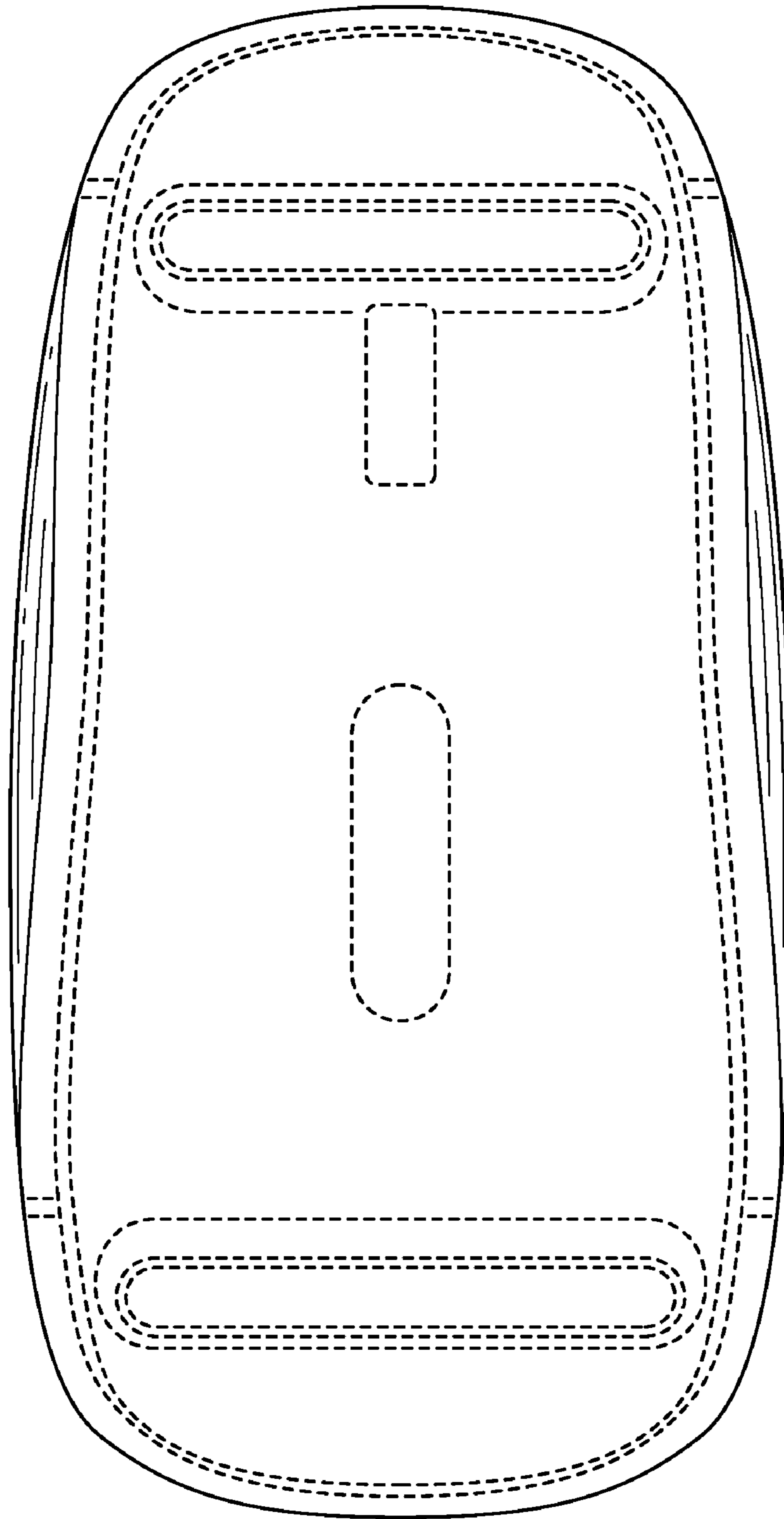


FIG. 7