



US00D642564S

(12) **United States Design Patent**  
**Busri et al.**

(10) **Patent No.:** **US D642,564 S**

(45) **Date of Patent:** **\*\* Aug. 2, 2011**

(54) **SENSOR MOTE**

(75) Inventors: **Saharudin Busri**, Kuala Lumpur (MY);  
**Choong Soo Li**, Kuala Lumpur (MY);  
**Mohd Fauzi Yahaya**, Kuala Lumpur  
(MY); **Sheikh M Shahrizal**, Kuala  
Lumpur (MY); **Nuzairi Yasin**, Kuala  
Lumpur (MY); **Muhamad Ruzi Shuib**,  
Kuala Lumpur (MY)

(73) Assignee: **Mimos Berhad**, Kuala Lumpur (MY)

(\*\*) Term: **14 Years**

(21) Appl. No.: **29/346,846**

(22) Filed: **Nov. 6, 2009**

(30) **Foreign Application Priority Data**

May 7, 2009 (MY) ..... 09-00437-0101

(51) **LOC (9) Cl.** ..... **14-02**

(52) **U.S. Cl.** ..... **D14/358; D10/78**

(58) **Field of Classification Search** ..... D14/356-358,  
D14/411, 433, 435.1, 436, 480.1-480.7, 484.1,  
D14/137, 155, 167, 168, 203.1-203.8, 240,  
D14/242, 299; D3/201, 273; D13/107, 108,  
D13/149, 184; 710/300, 301; 439/131, 135-147;  
361/679.02, 679.55, 679.56, 736, 737; D10/65,  
D10/75, 78

See application file for complete search history.

(56) **References Cited**

**U.S. PATENT DOCUMENTS**

D209,053 S \* 10/1967 Link, Jr. .... D10/80  
D322,064 S \* 12/1991 Chowdhree et al. .... D14/411  
D331,750 S \* 12/1992 Yang ..... D14/411  
D332,446 S \* 1/1993 Lin ..... D14/411  
D349,490 S \* 8/1994 Barrett ..... D14/411  
5,936,525 A \* 8/1999 Leyden et al. .... 340/568.2  
5,963,132 A \* 10/1999 Yoakum ..... 340/572.1  
D436,879 S \* 1/2001 Deguchi et al. .... D10/104  
D461,132 S \* 8/2002 Woolston et al. .... D10/46

D462,952 S \* 9/2002 Anderson et al. .... D14/299  
D474,161 S \* 5/2003 Månsson et al. .... D13/199  
D508,904 S \* 8/2005 Schwald ..... D14/155  
D511,700 S \* 11/2005 Janky et al. .... D10/78  
D530,233 S \* 10/2006 Janky ..... D10/78  
7,161,578 B1 \* 1/2007 Schneider ..... 345/156  
D553,030 S \* 10/2007 Botte ..... D10/78  
D568,313 S \* 5/2008 Leung ..... D14/480.3  
D576,674 S \* 9/2008 Tseng ..... D19/36  
D582,915 S \* 12/2008 Leung ..... D14/480.3  
D600,575 S \* 9/2009 Janky ..... D10/78  
D609,246 S \* 2/2010 Wahl ..... D14/496  
D625,211 S \* 10/2010 Chun ..... D10/78

\* cited by examiner

*Primary Examiner* — Cathron C Brooks

*Assistant Examiner* — Karen E Kearney

(74) *Attorney, Agent, or Firm* — Butzel Long

(57) **CLAIM**

The ornamental design for the sensor mote, as shown and described.

**DESCRIPTION**

FIG. 1 is a perspective view, taken from the top, of a sensor mote according to an exemplary embodiment of the present invention;

FIG. 2 is a perspective view, taken from the bottom, of the sensor mote of the embodiment of FIG. 1;

FIG. 3 is a top plan view of the sensor mote of the embodiment of FIG. 1;

FIG. 4 is a front elevational view of the sensor mote of the embodiment of FIG. 1;

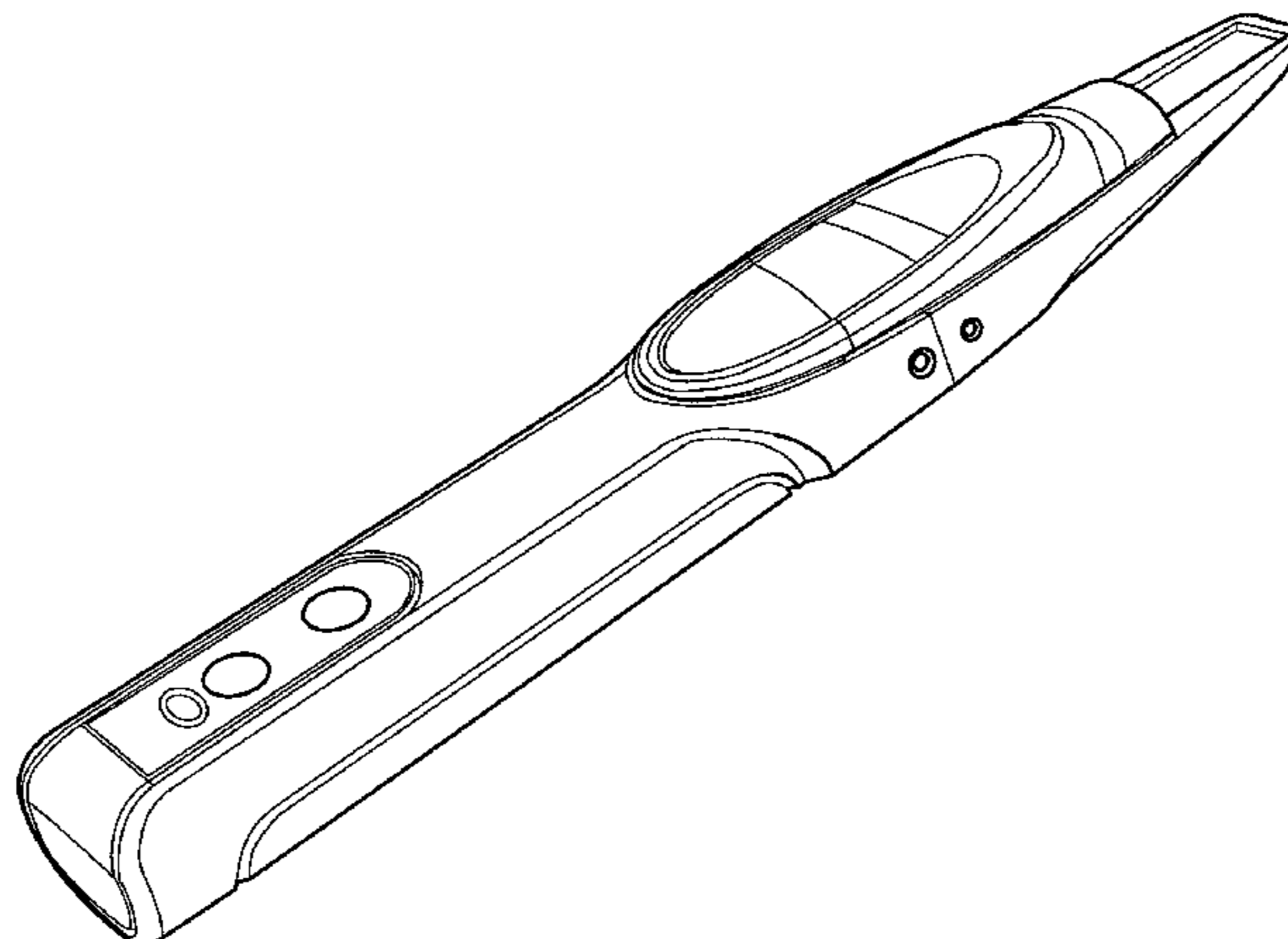
FIG. 5 is a rear elevational view of the sensor mote of the embodiment of FIG. 1;

FIG. 6 is a right-side elevational view of the sensor mote of the embodiment of FIG. 1;

FIG. 7 is a left-side elevational view of the sensor mote of the embodiment of FIG. 1; and,

FIG. 8 is a bottom plan view of the sensor mote of the embodiment of FIG. 1.

**1 Claim, 3 Drawing Sheets**



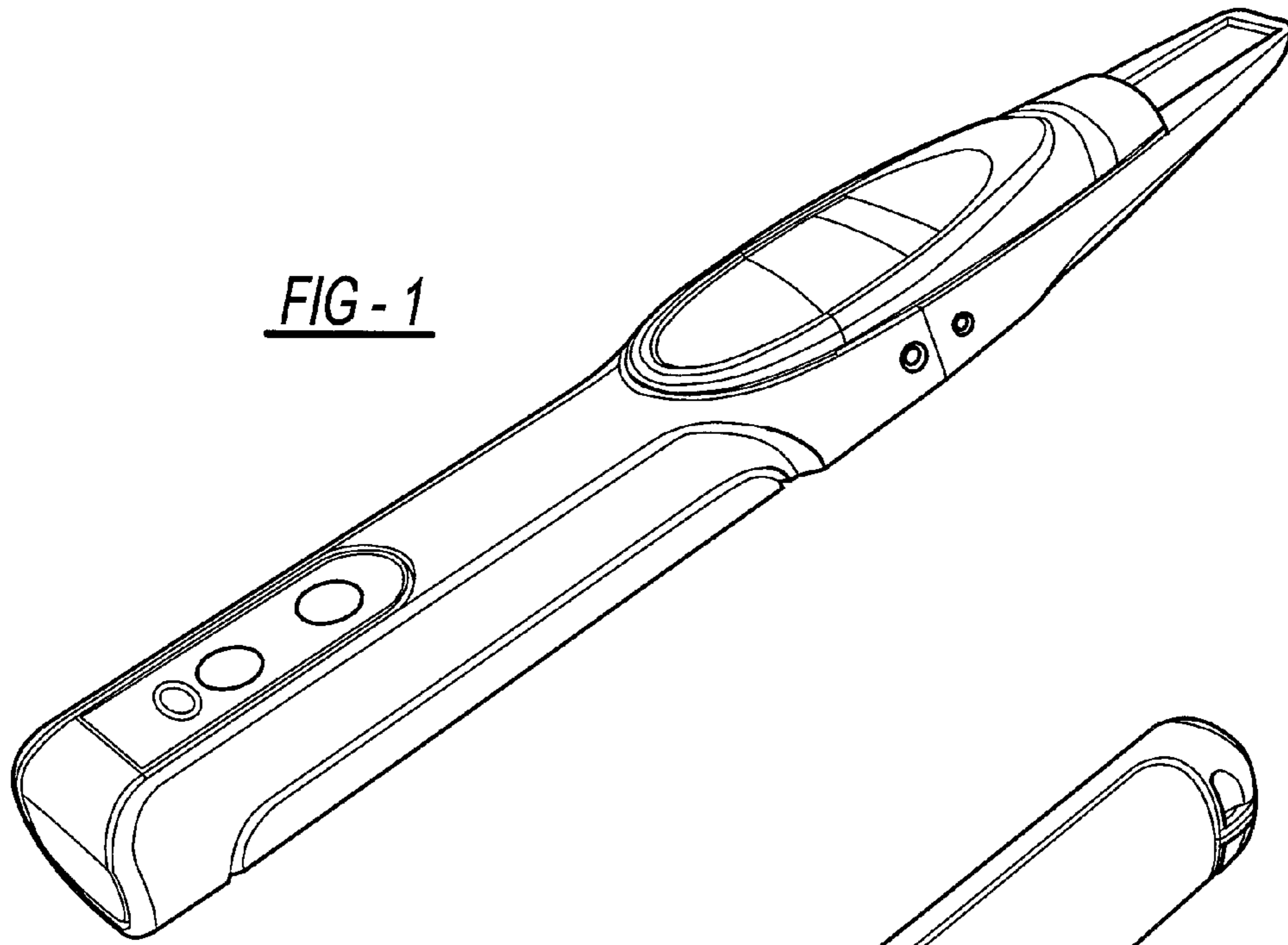


FIG - 1

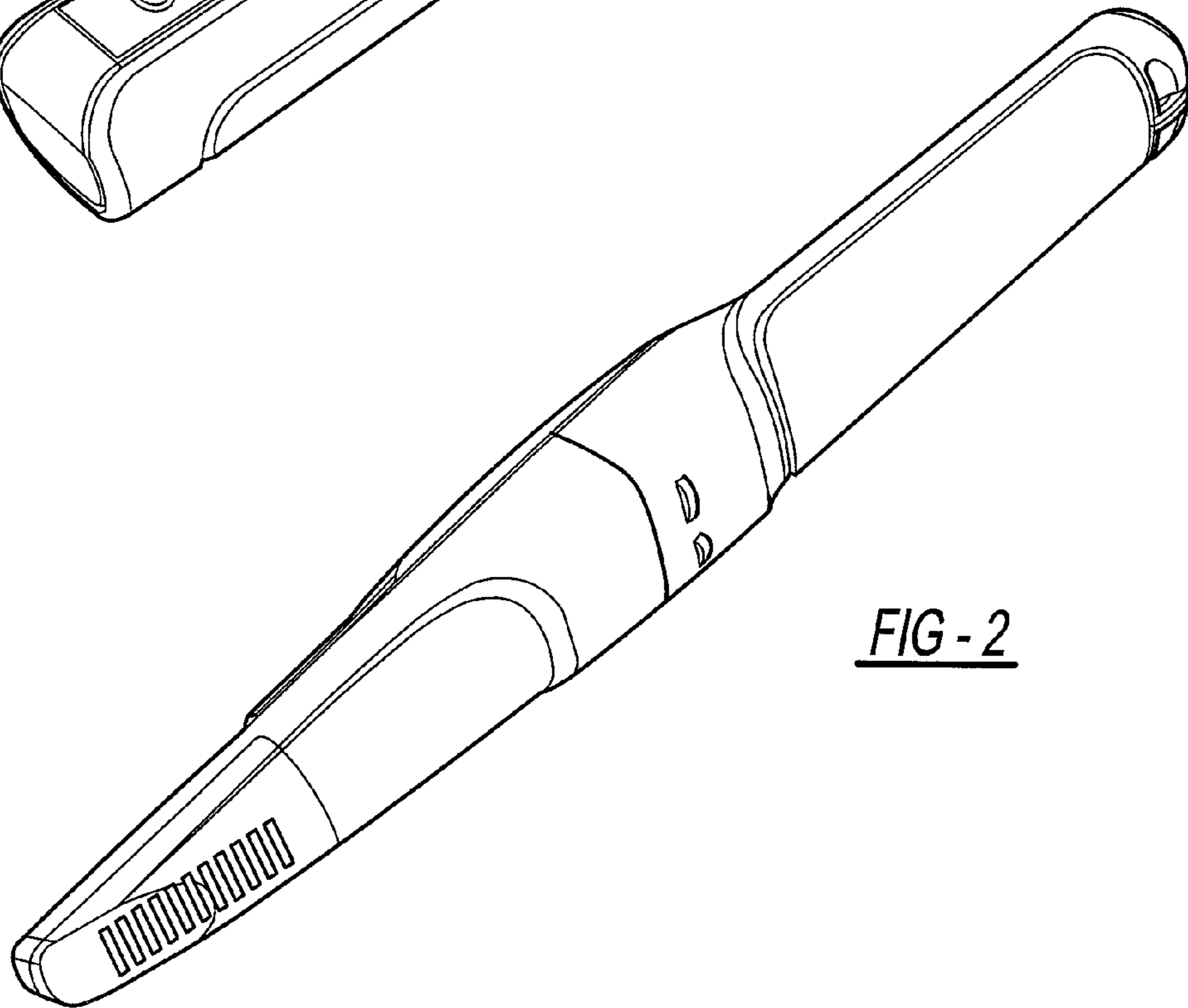


FIG - 2

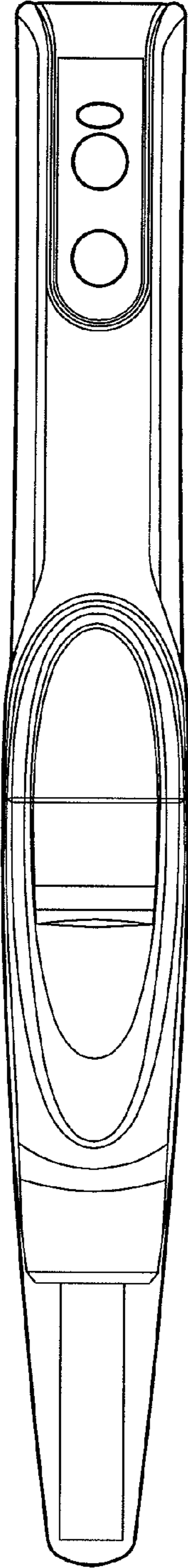


FIG - 3

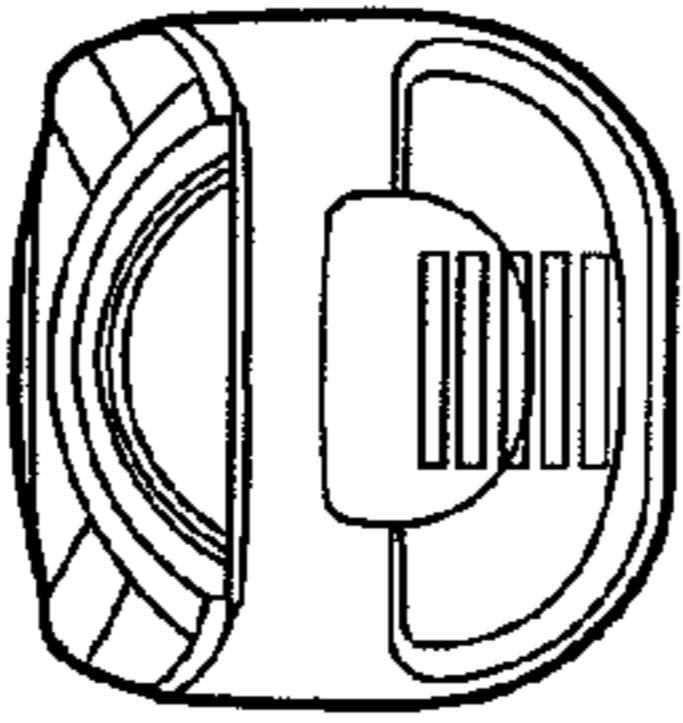


FIG - 4

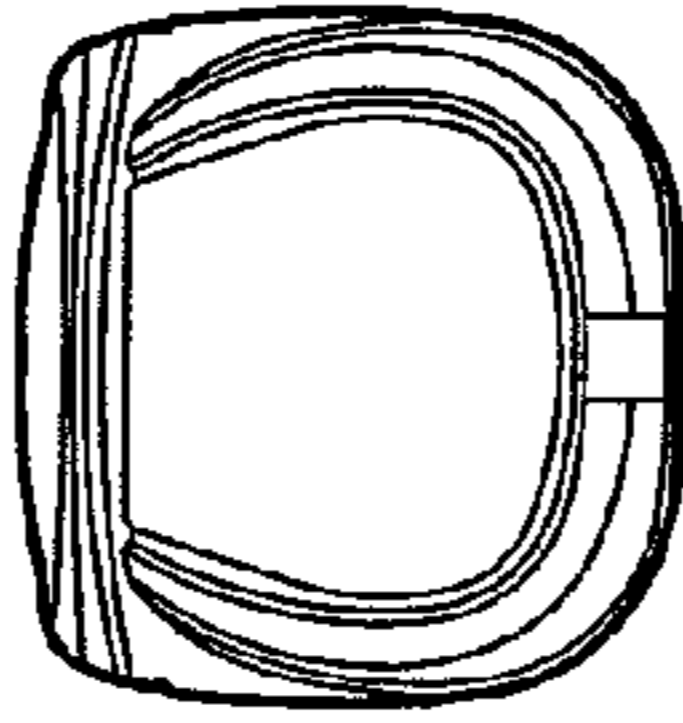


FIG - 5



FIG - 6

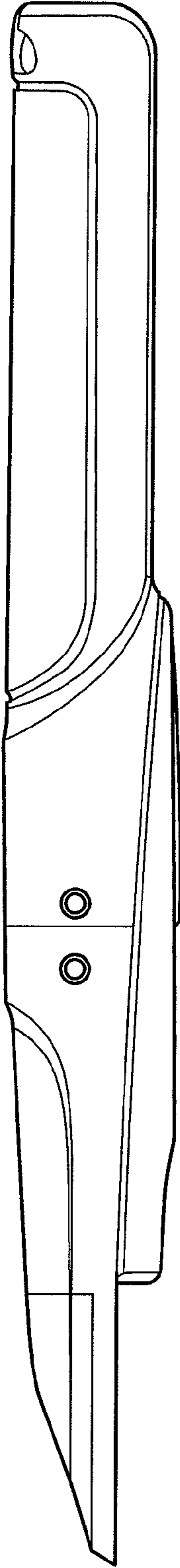


FIG-7

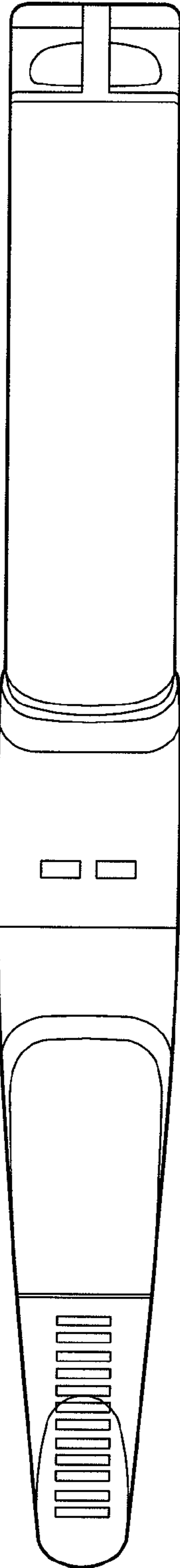


FIG-8