



US00D642563S

(12) **United States Design Patent**
Akana et al.

(10) **Patent No.:** **US D642,563 S**

(45) **Date of Patent:** **** Aug. 2, 2011**

(54) **ELECTRONIC DEVICE**

(75) Inventors: **Jody Akana**, San Francisco, CA (US);
Bartley K. Andre, Menlo Park, CA
(US); **Jeremy Bataillou**, San Francisco,
CA (US); **Daniel J. Coster**, San
Francisco, CA (US); **Daniele De Iuliis**,
San Francisco, CA (US); **Evans**
Hankey, San Francisco, CA (US);
Richard P. Howarth, San Francisco, CA
(US); **Jonathan P Ive**, San Francisco,
CA (US); **Steve Jobs**, Palo Alto, CA
(US); **Duncan Robert Kerr**, San
Francisco, CA (US); **Shin Nishibori**,
Portola Valley, CA (US); **Matthew Dean**
Rohrbach, San Francisco, CA (US);
Peter Russell-Clarke, San Francisco,
CA (US); **Christopher J. Stringer**,
Woodside, CA (US); **Eugene Antony**
Whang, San Francisco, CA (US); **Rico**
Zorkendorfer, San Francisco, CA (US)

(73) Assignee: **Apple Inc.**, Cupertino, CA (US)

(**) Term: **14 Years**

(21) Appl. No.: **29/367,997**

(22) Filed: **Aug. 16, 2010**

(51) **LOC (9) Cl.** **14-02**

(52) **U.S. Cl.** **D14/341**

(58) **Field of Classification Search** D14/341-347,
D14/137, 138, 138.1, 138 AA, 138 R, 138 AB,
D14/138 AC, 138 AD, 138 C, 138 G, 496,
D14/203.1, 203.3, 203.4, 203.5, 203.6, 203.7,
D14/426, 427, 428, 432, 429, 129, 130, 420,
D14/439-441, 448, 125, 147, 156, 218, 247-248,
D14/250, 389, 336; D10/65, 104; D18/6-7;
D21/29, 686, 33, 324, 329, 330; D6/596,
D6/601, 605; D19/60; 345/169, 901, 905;
348/169; 361/814; 341/122; 346/173; 379/433.04,
379/433.07, 433.11, 433.12, 433.13, 910,
379/916, 433.01, 433.06

See application file for complete search history.

(56) **References Cited**

U.S. PATENT DOCUMENTS

D337,569 S * 7/1993 Kando D14/341
D504,889 S 5/2005 Andre et al.
D558,757 S * 1/2008 Andre et al. D14/341
D561,782 S * 2/2008 Kim D14/496

(Continued)

OTHER PUBLICATIONS

U.S. Appl. No. 29/384,861, Andre et al., "Electronic Device", filed
Feb. 4, 2011.

Primary Examiner — Cathron Brooks

Assistant Examiner — Barbara Fox

(74) *Attorney, Agent, or Firm* — Sterne, Kessler, Goldstein
& Fox PLLC

(57) **CLAIM**

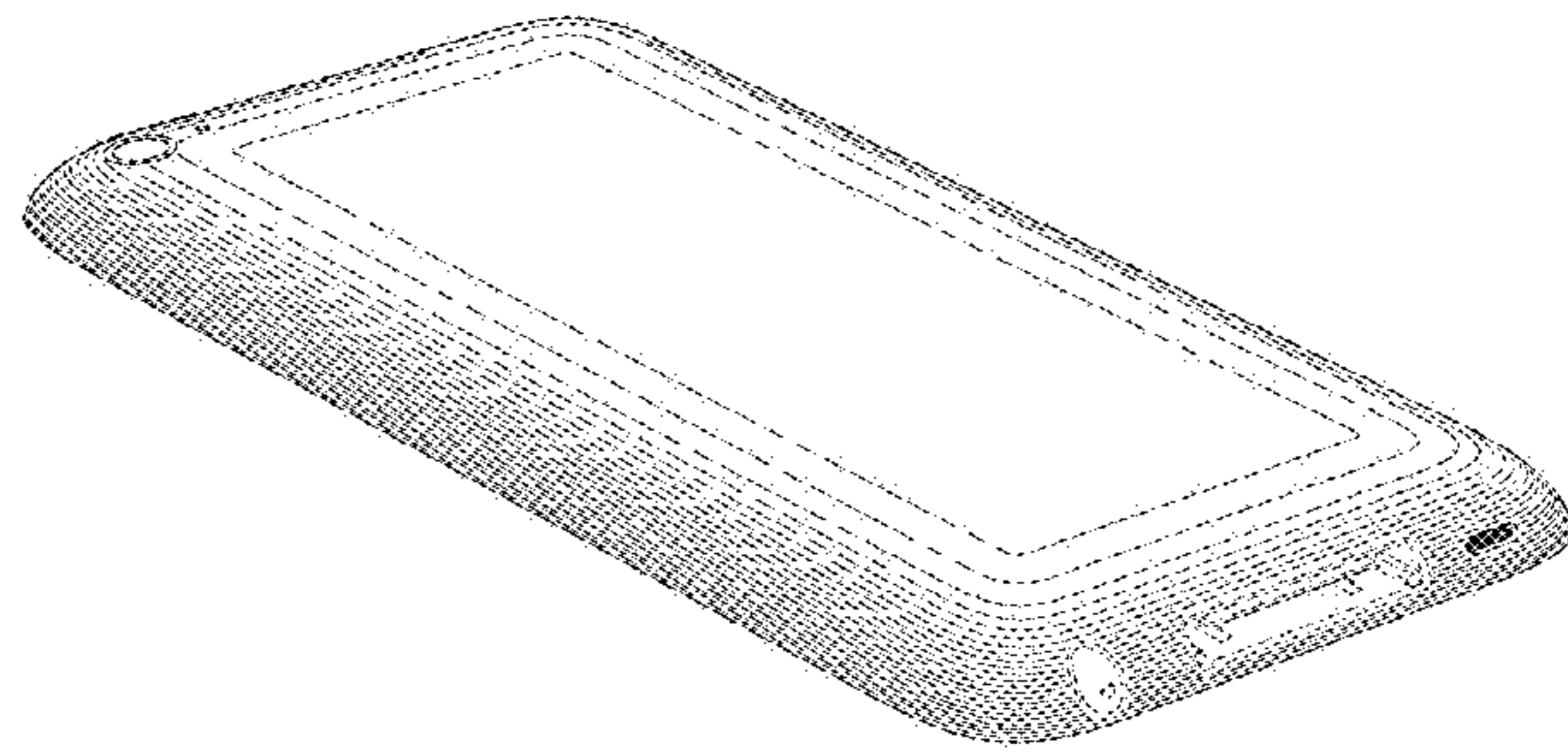
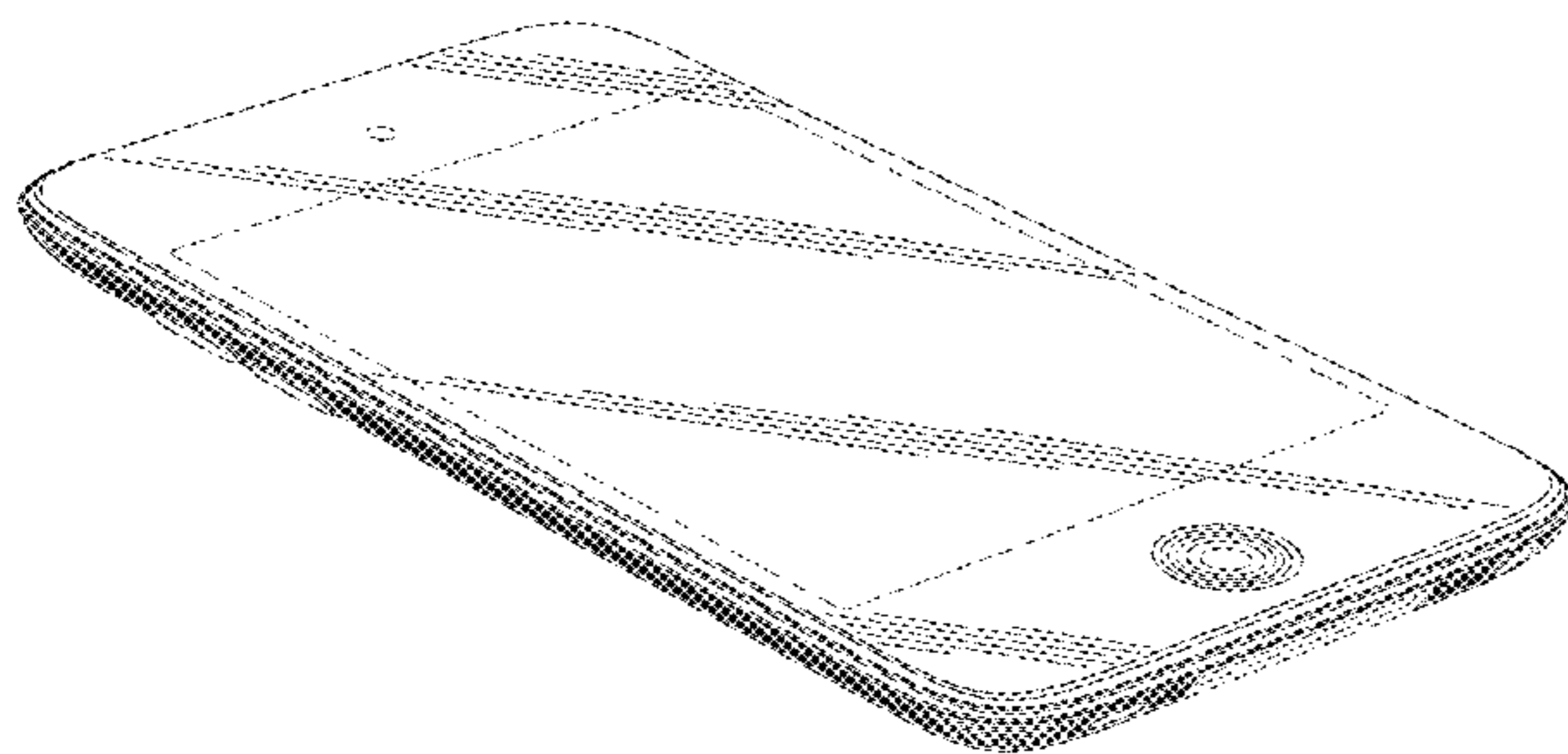
The ornamental design for an electronic device, as shown and
described.

DESCRIPTION

FIG. 1 is a front bottom perspective view of an electronic
device showing our new design;
FIG. 2 is a rear bottom perspective view thereof;
FIG. 3 is a rear top perspective view thereof;
FIG. 4 is a front top perspective view thereof;
FIG. 5 is a front view thereof;
FIG. 6 is a rear view thereof;
FIG. 7 is a side view thereof;
FIG. 8 is another side view thereof;
FIG. 9 is a top view thereof;
FIG. 10 is bottom view thereof; and,
FIG. 11 is an enlarged view of a portion of the electronic
device taken in FIG. 10.

The broken lines shown in the Figures show unclaimed por-
tions of the electronic device and form no part of the claimed
design.

1 Claim, 8 Drawing Sheets



US D642,563 S

Page 2

U.S. PATENT DOCUMENTS

D565,596 S *	4/2008	Kim	D14/496	D604,297 S *	11/2009	Andre et al.	D14/341
D580,387 S *	11/2008	Andre et al.	D14/138 G	D613,735 S *	4/2010	Andre et al.	D14/341
D583,346 S	12/2008	Jung et al.			D613,736 S	4/2010	Andre et al.		
D584,738 S *	1/2009	Kim et al.	D14/496	D615,083 S *	5/2010	Andre et al.	D14/341
D586,800 S *	2/2009	Andre et al.	D14/341	D618,204 S	6/2010	Andre et al.		
D593,087 S *	5/2009	Andre et al.	D14/341	D622,720 S	8/2010	Andre et al.		
D599,342 S *	9/2009	Andre et al.	D14/341	D624,536 S	9/2010	Andre et al.		
D600,241 S *	9/2009	Andre et al.	D14/341	D626,937 S	11/2010	Yeo et al.		
D601,558 S *	10/2009	Andre et al.	D14/341	D630,630 S	1/2011	Andre et al.		
D602,014 S *	10/2009	Andre et al.	D14/341	D633,091 S	2/2011	Andre et al.		
D602,015 S *	10/2009	Andre et al.	D14/341	D634,742 S	3/2011	Andre et al.		
D602,016 S *	10/2009	Andre et al.	D14/341	2008/0316121 A1 *	12/2008	Hobson et al.	343/702
D602,017 S *	10/2009	Andre et al.	D14/341	2009/0067141 A1 *	3/2009	Dabov et al.	361/753
D602,486 S *	10/2009	Andre et al.	D14/341	2009/0245564 A1 *	10/2009	Mittleman et al.	381/361
D602,488 S *	10/2009	Jiang et al.	D14/341					

* cited by examiner

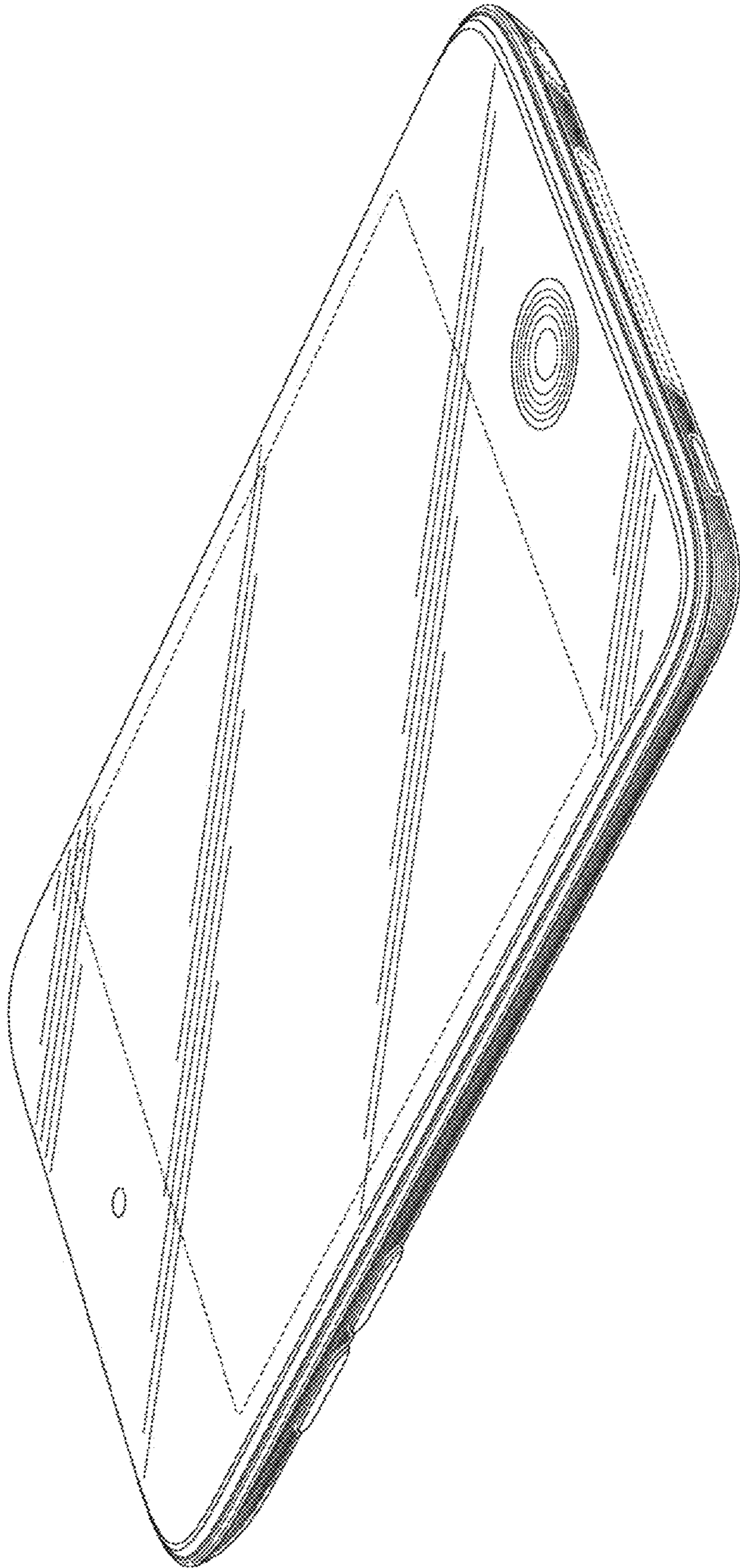


FIG. 1

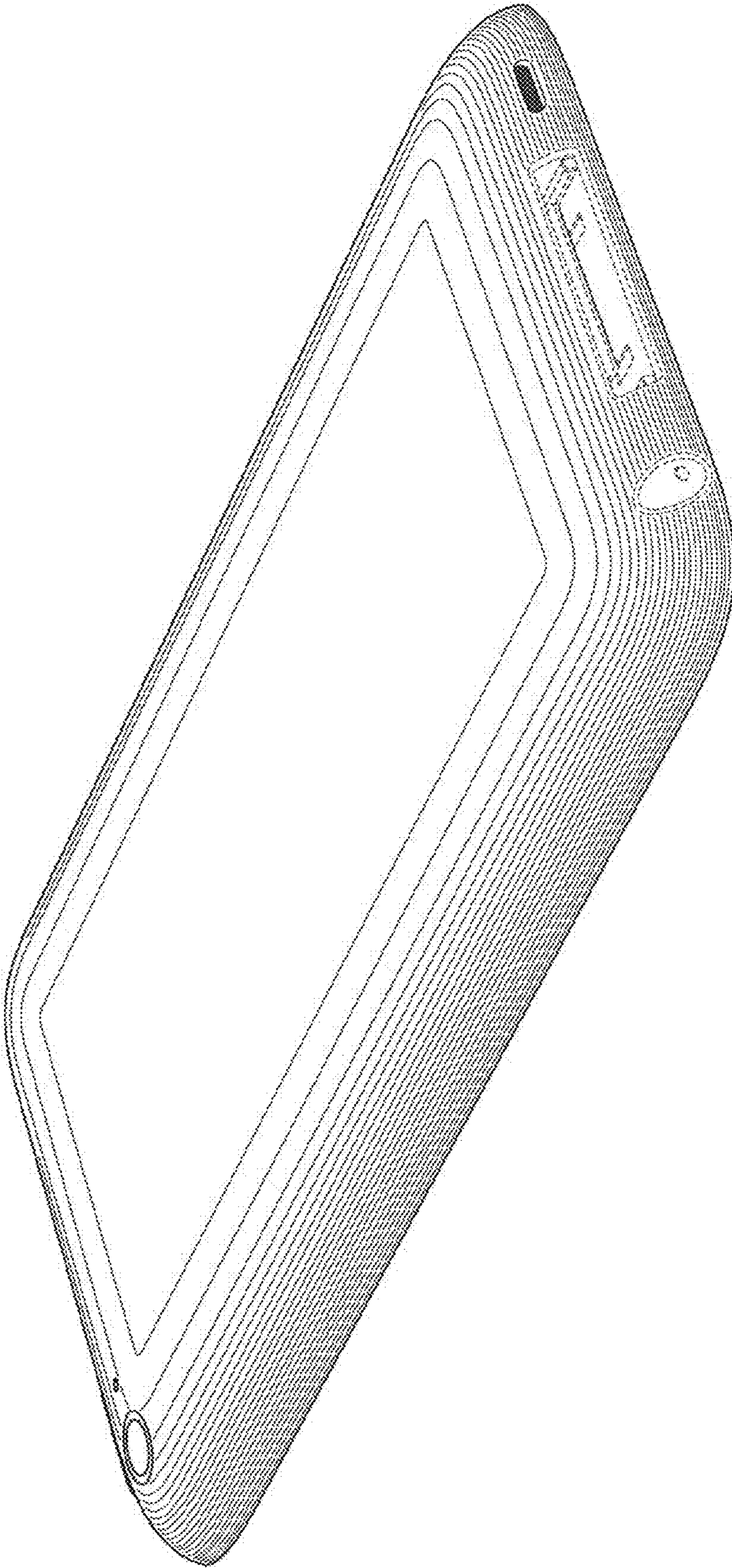


FIG. 2

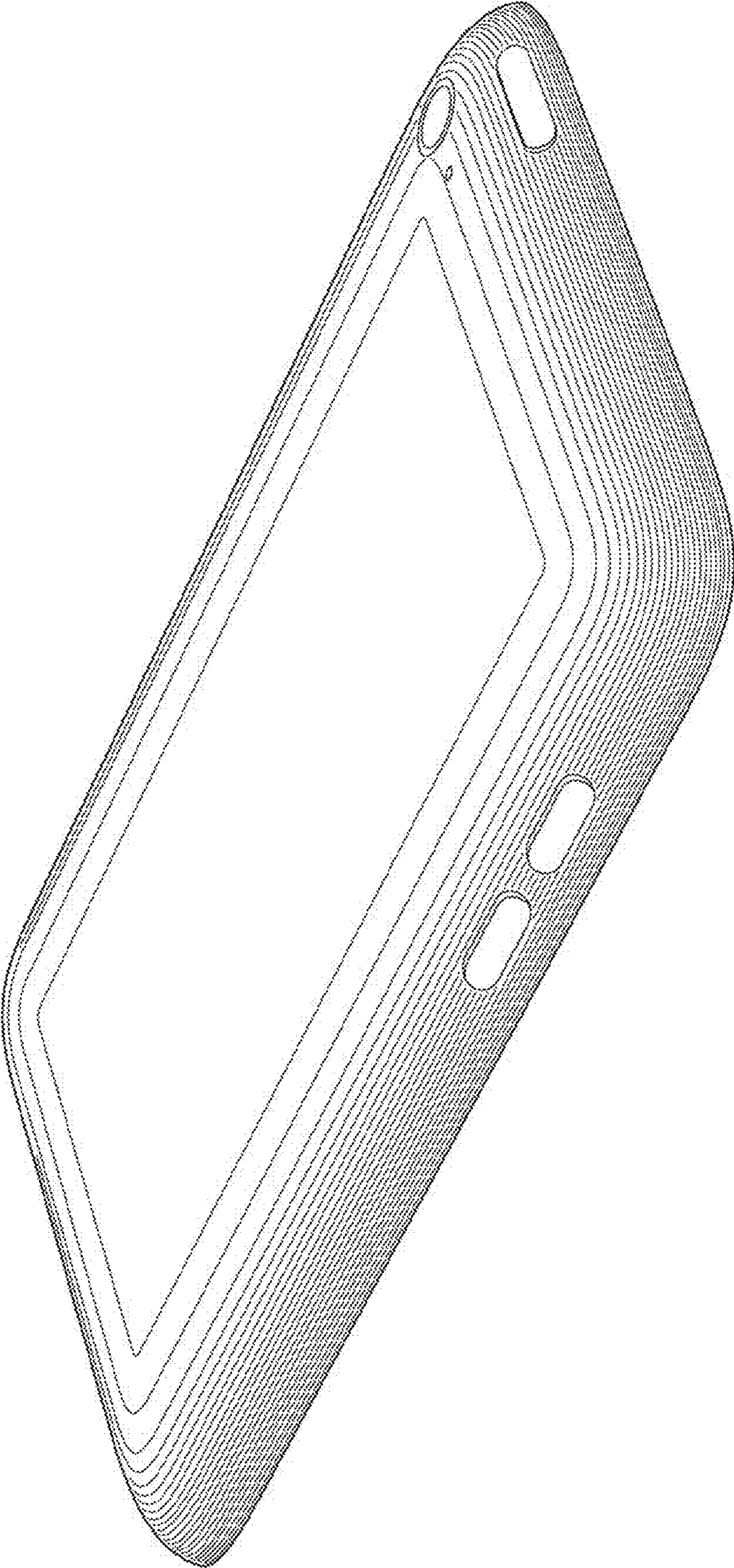


FIG. 3

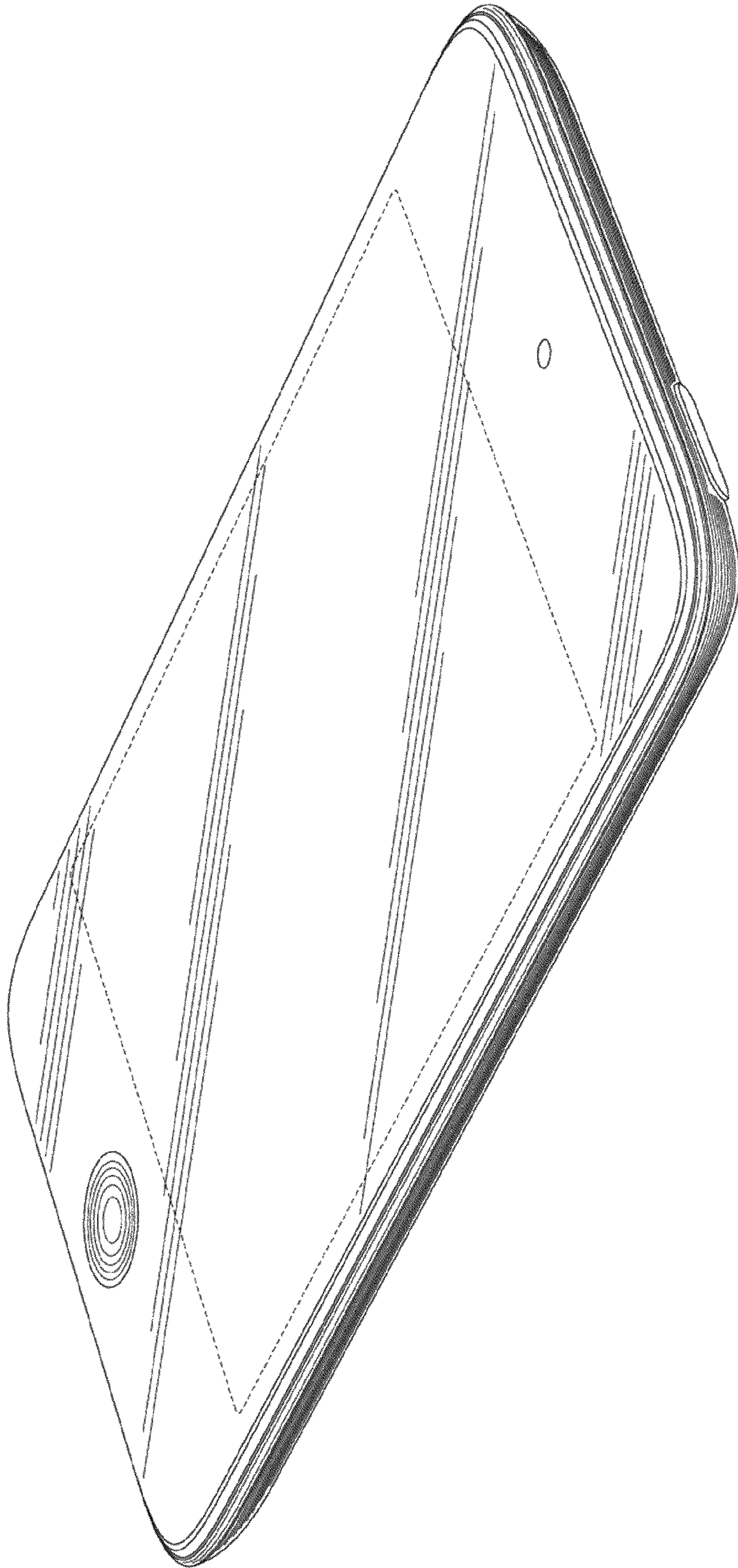


FIG. 4

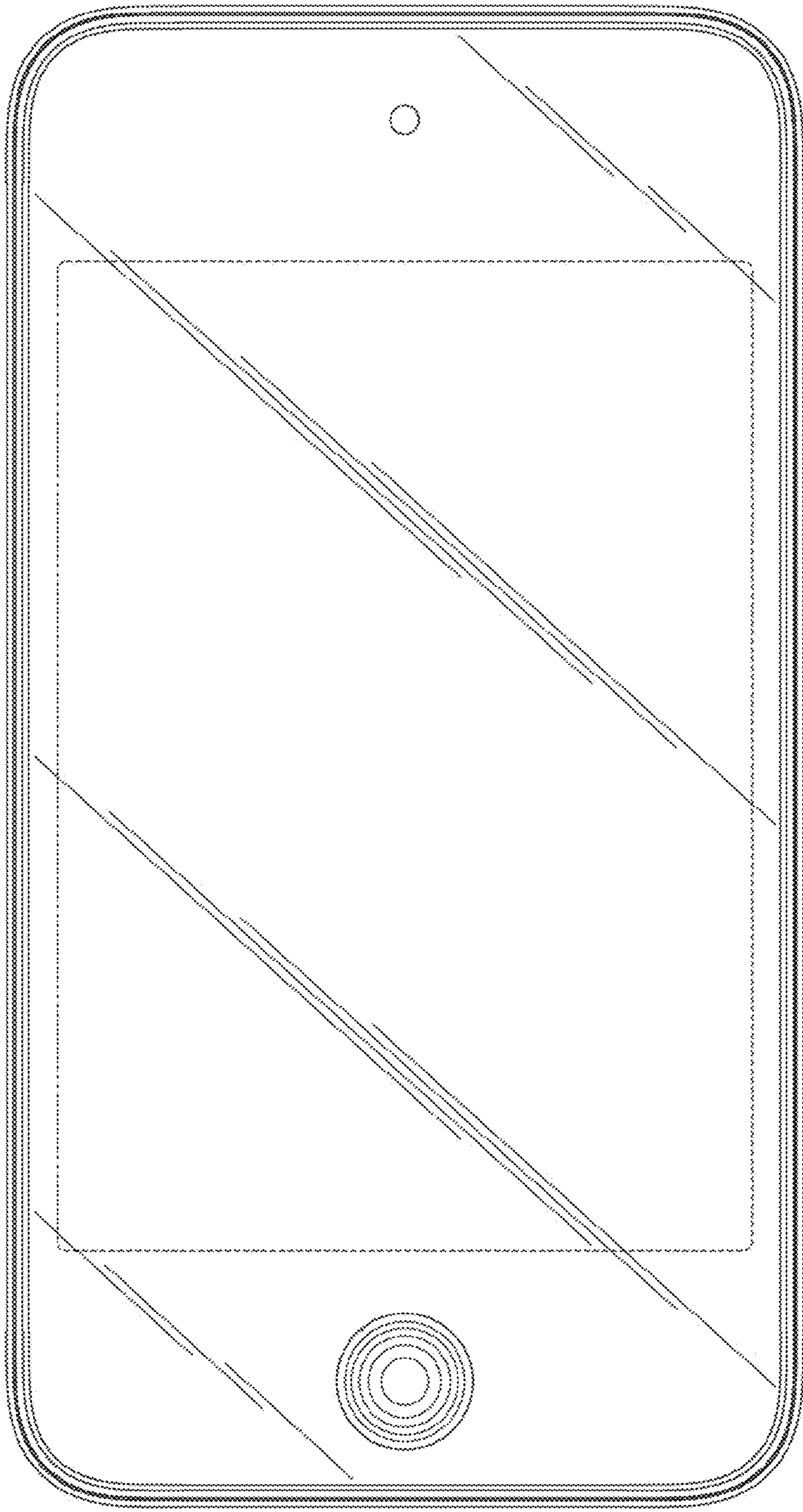


FIG. 5

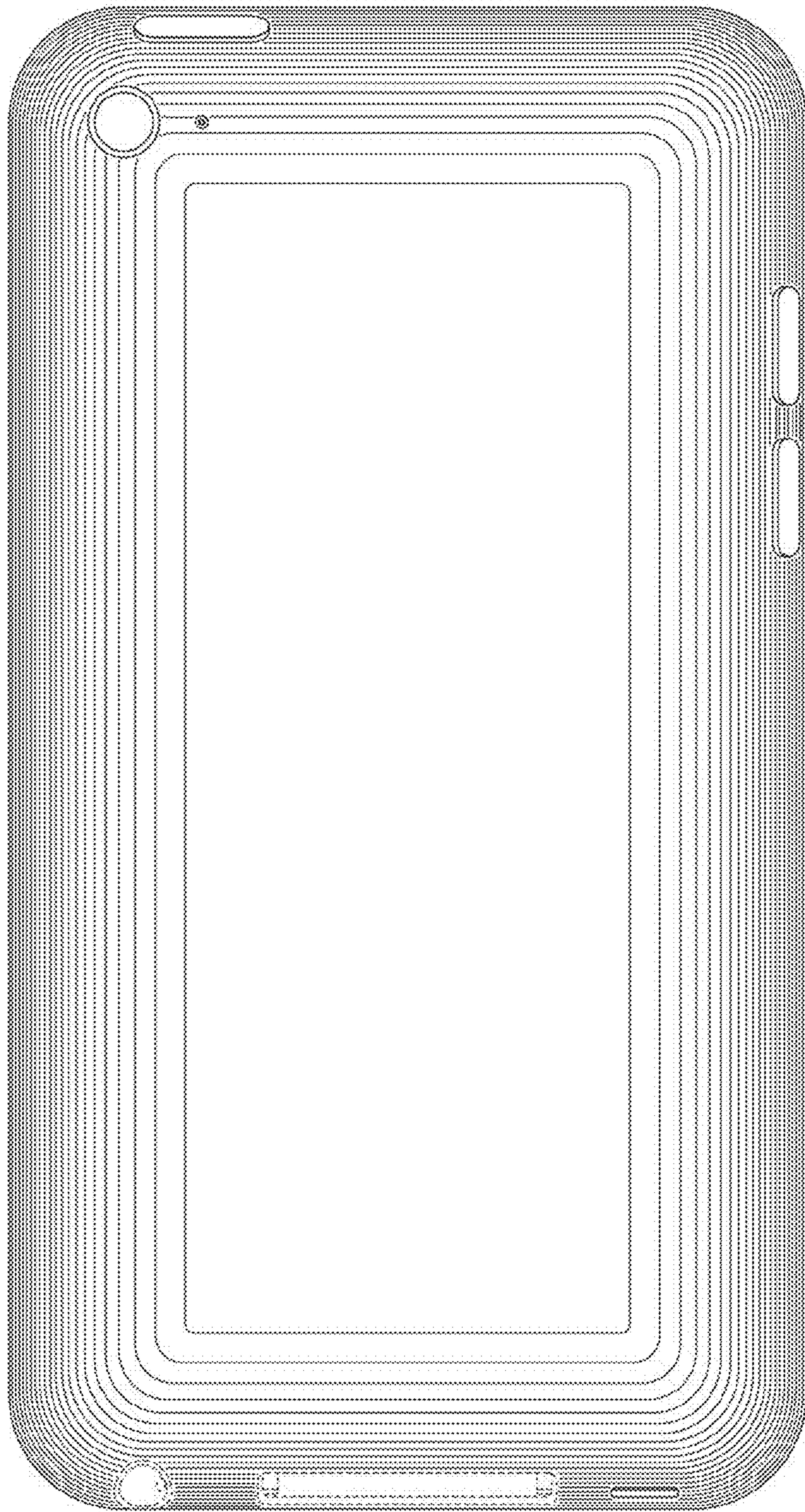


FIG. 6

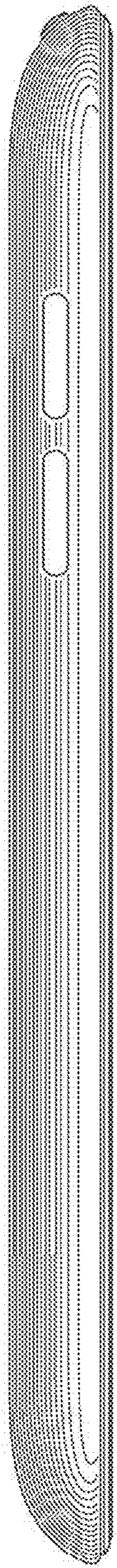


FIG. 7

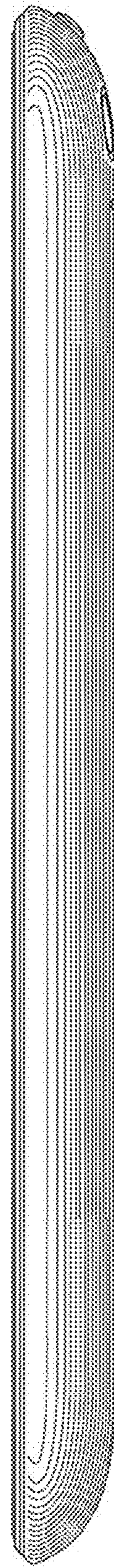


FIG. 8

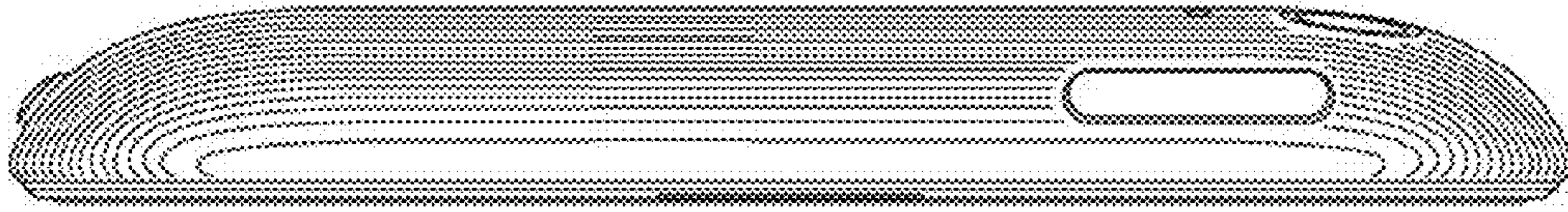


FIG. 9

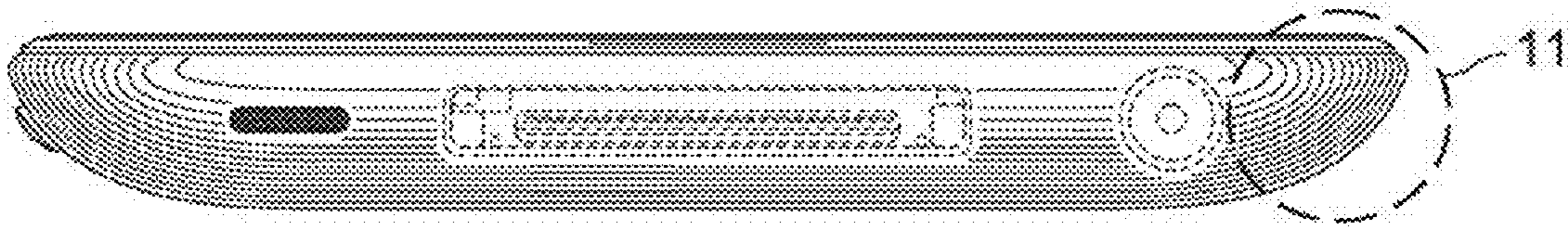


FIG. 10

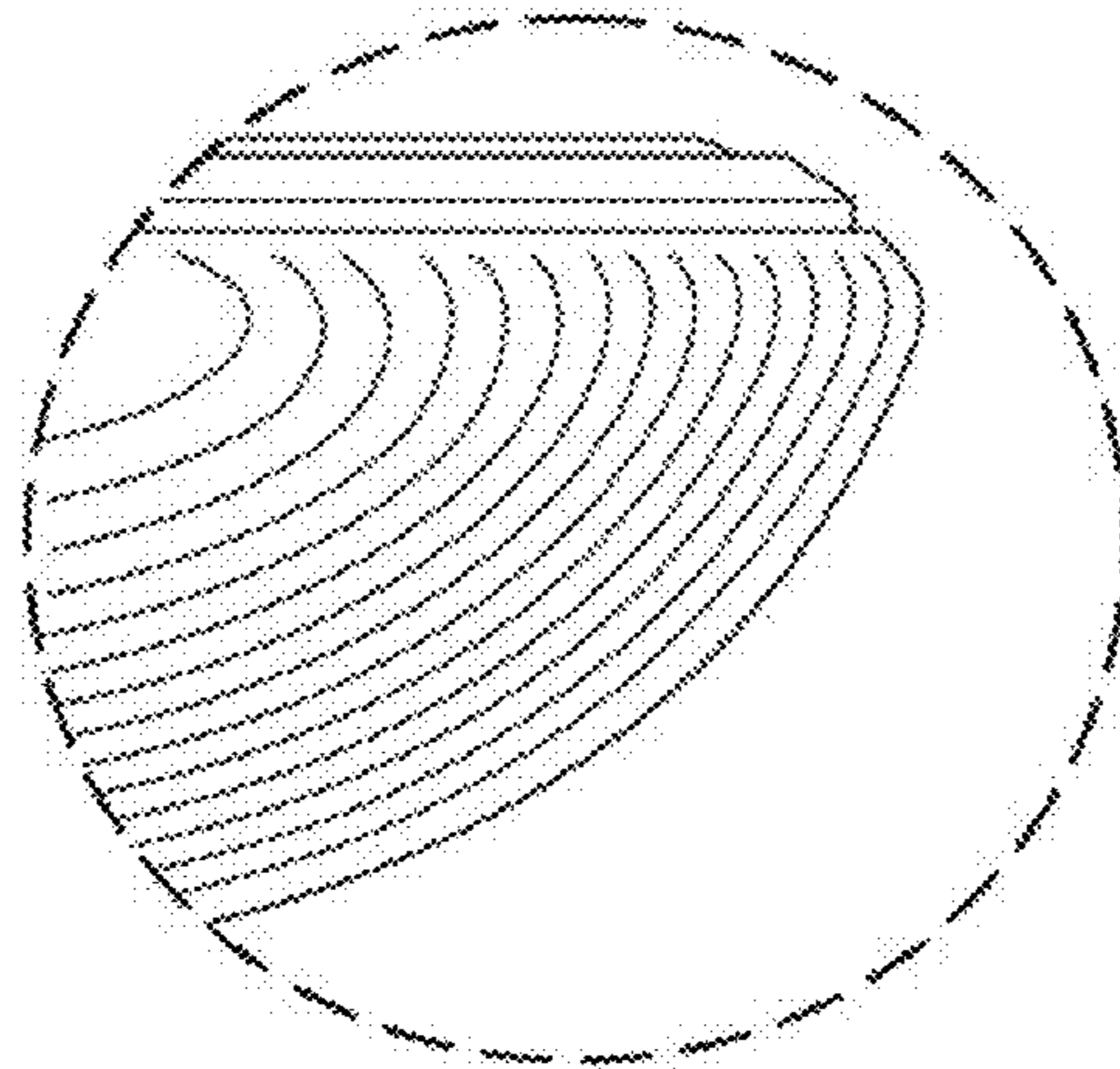


FIG. 11