

US00D642562S

(12) **United States Design Patent**
Kato

(10) **Patent No.:** **US D642,562 S**

(45) **Date of Patent:** **** Aug. 2, 2011**

(54) **TABLET**

(75) **Inventor:** **Tetsuro Kato**, Aichi (JP)

(73) **Assignee:** **Elmo Co., Ltd.**, Aichi (JP)

(**) **Term:** **14 Years**

(21) **Appl. No.:** **29/347,761**

(22) **Filed:** **May 20, 2010**

(30) **Foreign Application Priority Data**

Jan. 12, 2010 (JP) 2010-000529

(51) **LOC (9) Cl.** **14-02**

(52) **U.S. Cl.** **D14/341**

(58) **Field of Classification Search** D14/341-347,
D14/137, 138, 138.1, 138 AA, 138 R, 138 AB,
D14/138 G, 138 A, 496, 426, 429, 129, 130,
D14/420, 439-441, 448, 125, 147, 156, 218,
D14/250, 336, 203.1, 203.3, 203.4, 203.7,
D14/315, 388-390; D21/324, 329, 330;
D10/65, 104; D18/6-7; 345/169, 901, 905,
345/156, 157, 168, 173; 361/680, 686, 679.27,
361/679.3; 379/433.04, 433.07, 433.11,
379/916, 433.01, 433.06

See application file for complete search history.

(56) **References Cited**

U.S. PATENT DOCUMENTS

D373,118 S * 8/1996 Naruki D14/342
D379,090 S * 5/1997 Maekawa et al. D14/374

5,657,459 A * 8/1997 Yanagisawa et al. 361/679.21
D385,857 S * 11/1997 Cohen et al. D14/390
D400,192 S * 10/1998 Shimizu D14/374
7,053,883 B1 * 5/2006 Kwok et al. 345/156
7,263,270 B1 * 8/2007 Lapstun et al. 386/291
D589,961 S * 4/2009 Hackenberg et al. D14/388
7,533,816 B2 * 5/2009 Lapstun et al. 235/454
D602,022 S * 10/2009 Heck et al. D14/388
D616,436 S * 5/2010 Busri D14/341

* cited by examiner

Primary Examiner — Cathron Brooks

Assistant Examiner — Barbara Fox

(74) *Attorney, Agent, or Firm* — Posz Law Group, PLC

(57) **CLAIM**

The ornamental design for a tablet, as shown and described.

DESCRIPTION

FIG. 1 a front, bottom and right side perspective view of a tablet showing the new design.

FIG. 2 is a front view of the tablet.

FIG. 3 is a rear view of the tablet.

FIG. 4 is a right side view of the tablet.

FIG. 5 is a left side view of the tablet.

FIG. 6 is a plane view of the tablet.

FIG. 7 is a bottom view of the tablet; and,

FIG. 8 is reference drawing of the tablet.

The broken lines shown in the drawings are for the purpose of illustrating environment and unclaimed portions of the tablet and form no part of the claimed design.

1 Claim, 8 Drawing Sheets

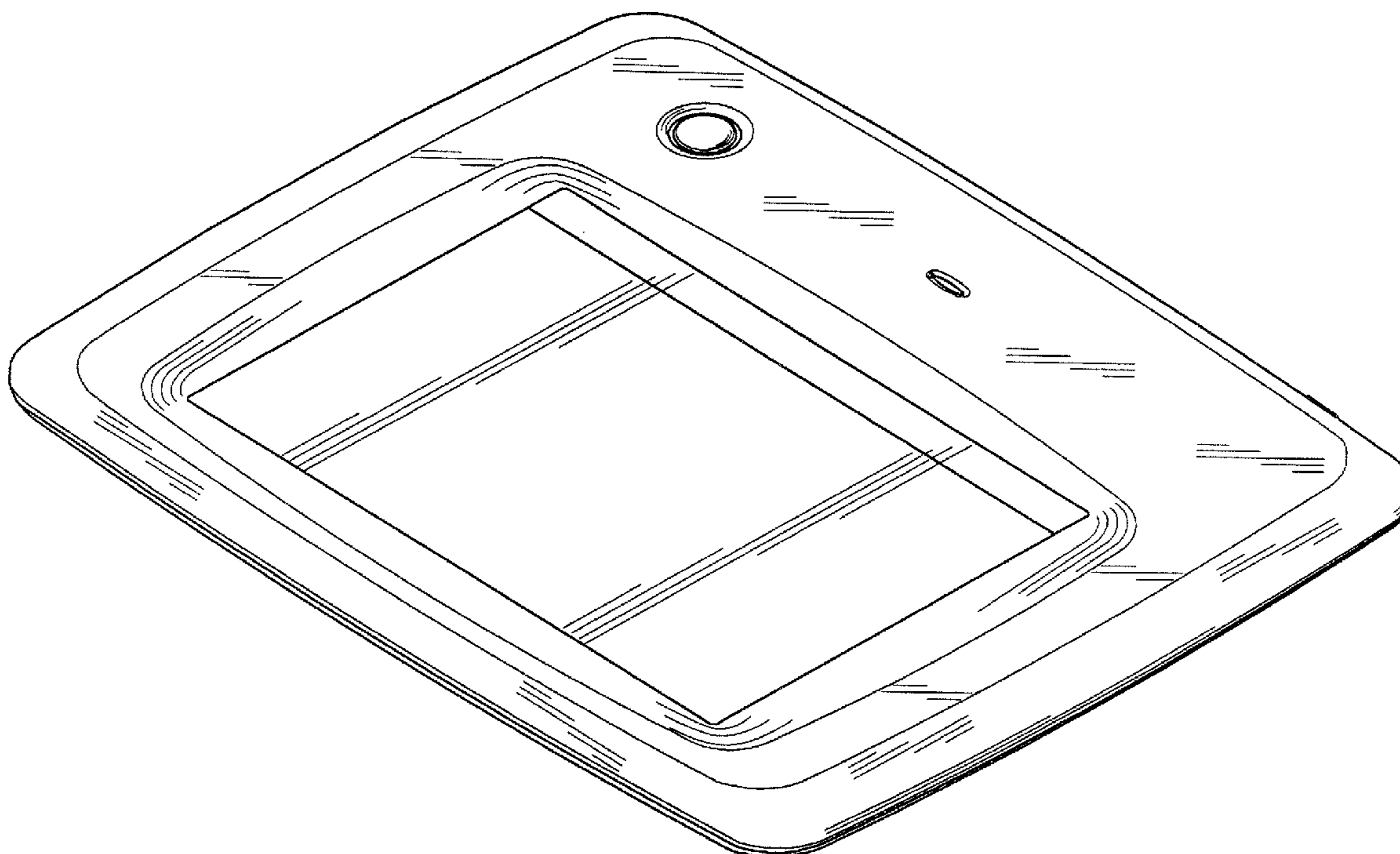


FIG. 1

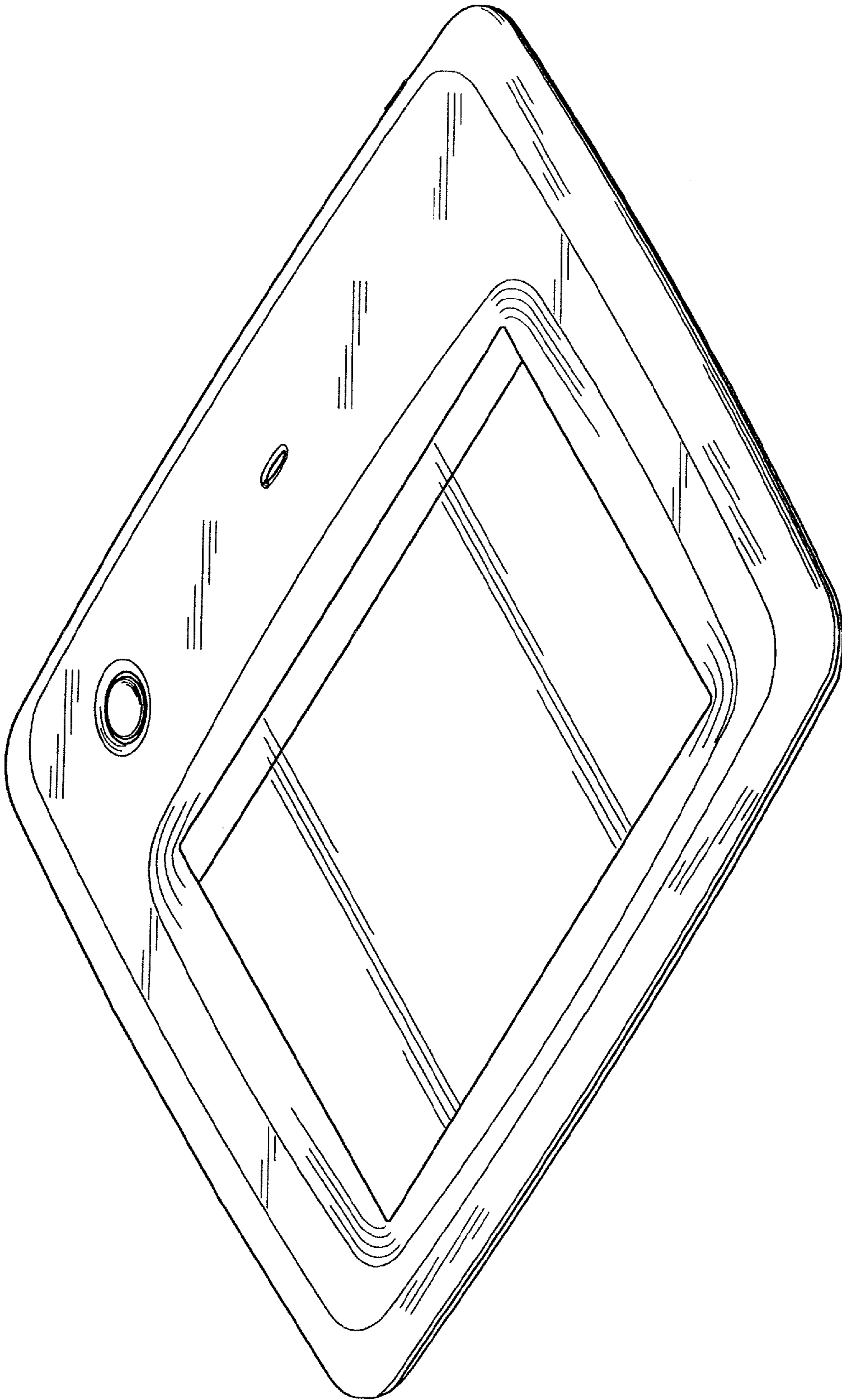


FIG. 2

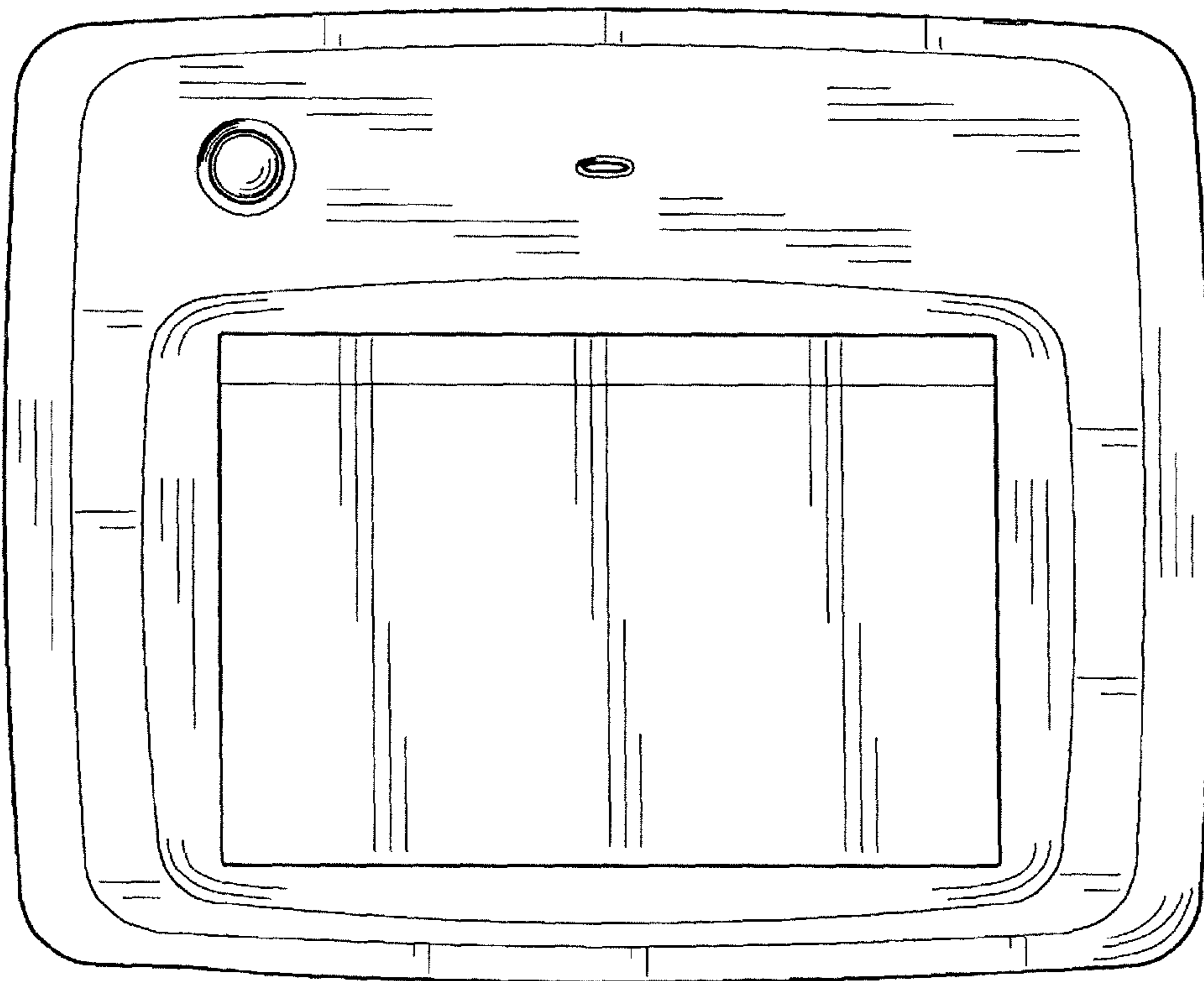


FIG. 3

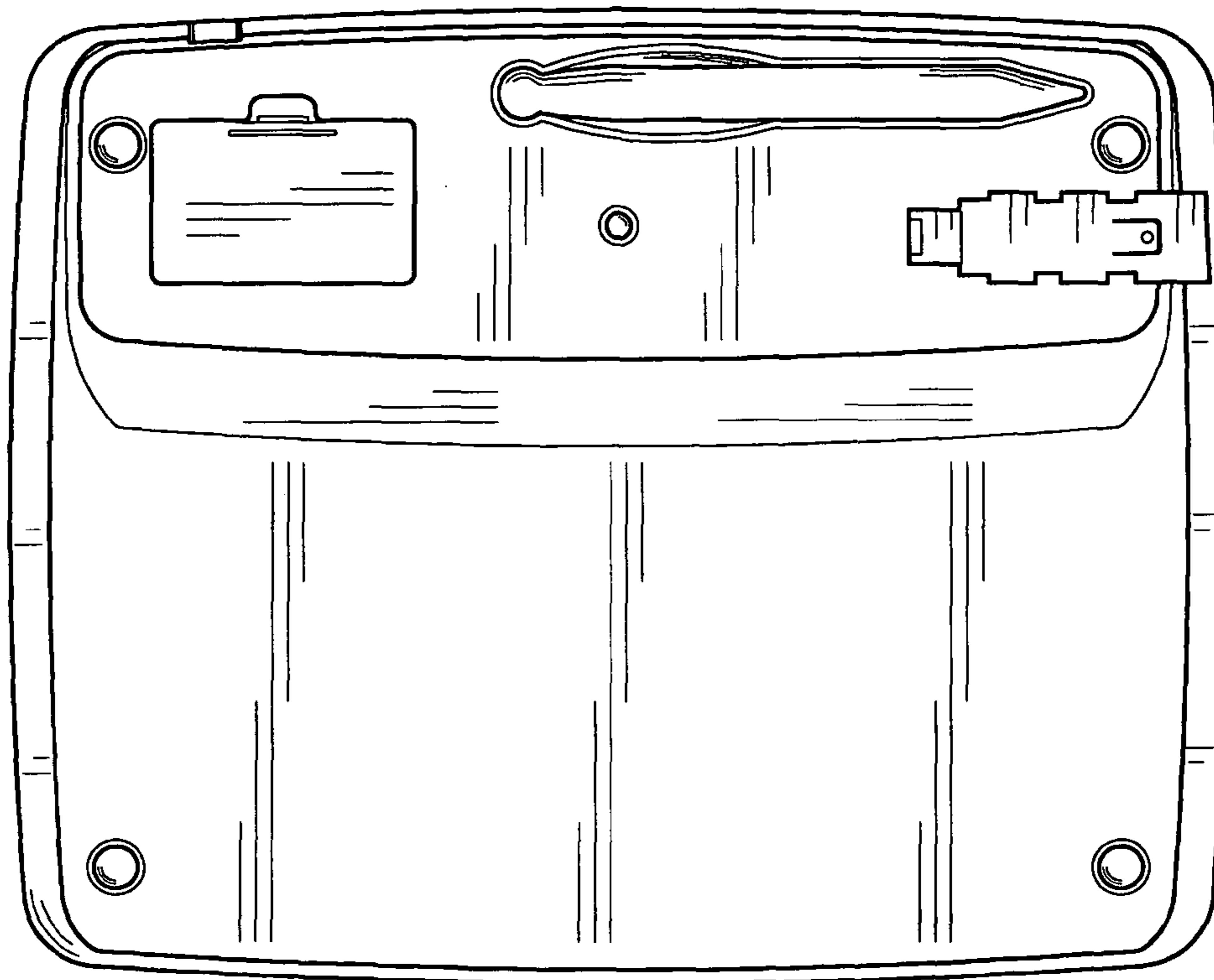


FIG. 4



FIG. 5



FIG. 6

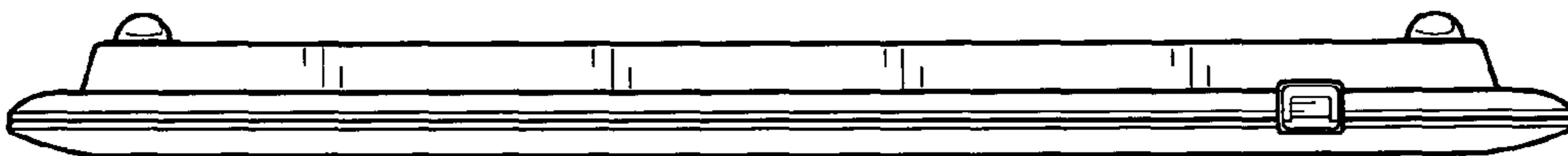


FIG. 7

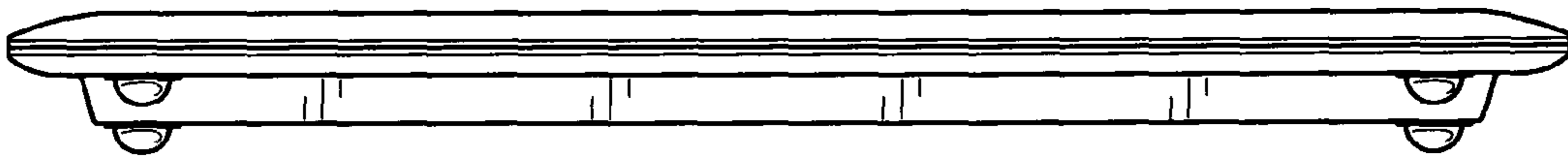


FIG. 8

