



US00D642561S

(12) **United States Design Patent**
Tang et al.

(10) **Patent No.:** **US D642,561 S**

(45) **Date of Patent:** **** Aug. 2, 2011**

(54) **TABLET PERSONAL COMPUTER**

(75) Inventors: **Chiang-Kuo Tang**, Taipei Hsien (TW);
Yu-Hou Chyan, Taipei Hsien (TW)

(73) Assignee: **Hon Hai Precision Industry Co., Ltd.**,
Tu-Cheng, New Taipei (TW)

(**) Term: **14 Years**

(21) Appl. No.: **29/375,946**

(22) Filed: **Sep. 30, 2010**

(51) **LOC (9) Cl.** **14-02**

(52) **U.S. Cl.** **D14/336; D14/341**

(58) **Field of Classification Search** D14/371-376,
D14/125-129, 336, 337, 341, 331; D6/308,
D6/311; 341/12; 345/104, 156, 173, 174,
345/901-905; 348/180, 184, 325, 739; 361/679.08,
361/679.23; 349/1, 2, 11, 58; 248/917-924;
D19/59, 60

See application file for complete search history.

(56) **References Cited**

U.S. PATENT DOCUMENTS

D424,034 S * 5/2000 Li D14/374
D498,217 S * 11/2004 Kim et al. D14/126
D538,800 S * 3/2007 Zhang et al. D14/331
D579,930 S * 11/2008 Maskatia D14/341

D580,431 S * 11/2008 Morita D14/341
D586,811 S * 2/2009 Kim et al. D14/374
D608,778 S * 1/2010 Lee et al. D14/336
D621,375 S * 8/2010 Nagase D14/126
D624,070 S * 9/2010 Lee et al. D14/336
2006/0038795 A1* 2/2006 Lee 345/173

* cited by examiner

Primary Examiner — Freda Nunn

(74) *Attorney, Agent, or Firm* — Zhigang Ma

(57) **CLAIM**

The ornamental design for a tablet personal computer, as shown and described.

DESCRIPTION

FIG. 1 is a perspective view of the design for a tablet personal computer;

FIG. 2 is a front elevational view thereof;

FIG. 3 is a rear elevational view thereof;

FIG. 4 is a left side elevational view thereof;

FIG. 5 is a right side elevational view thereof;

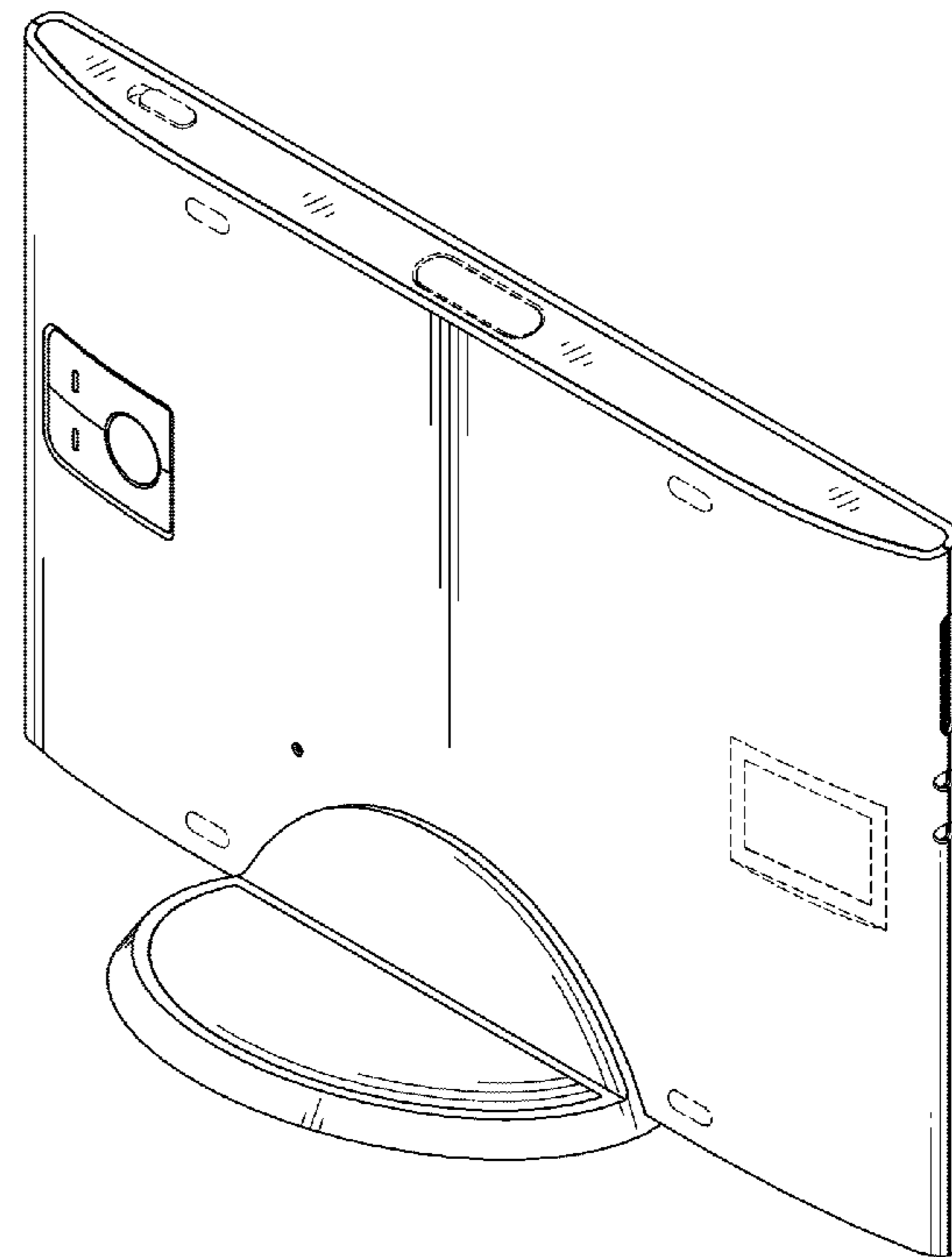
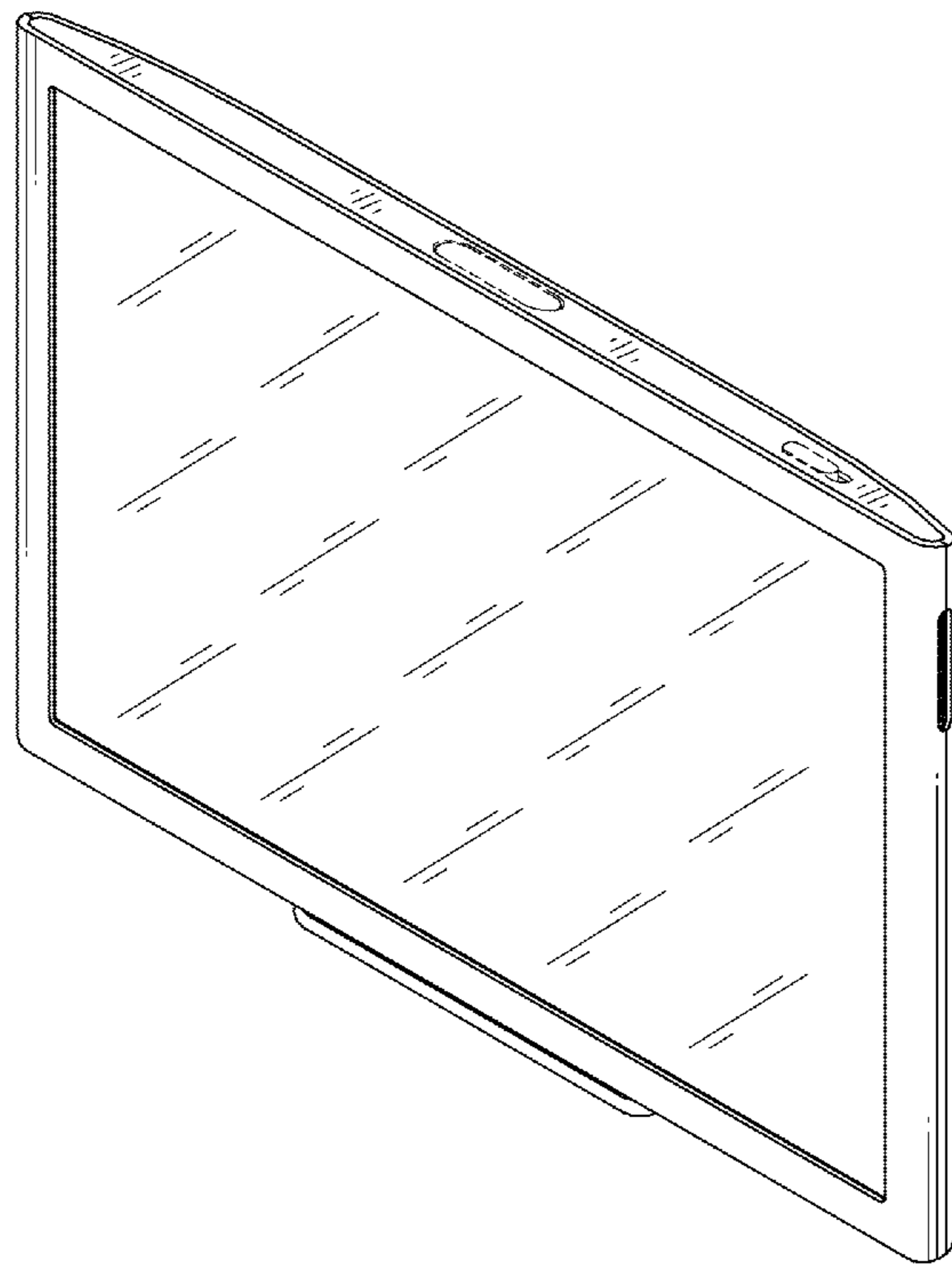
FIG. 6 is a top plan view thereof;

FIG. 7 is a bottom plan view thereof; and,

FIG. 8 is a rear perspective view of FIG. 1.

The broken lines are environmental only and form no part of the claimed design.

1 Claim, 8 Drawing Sheets



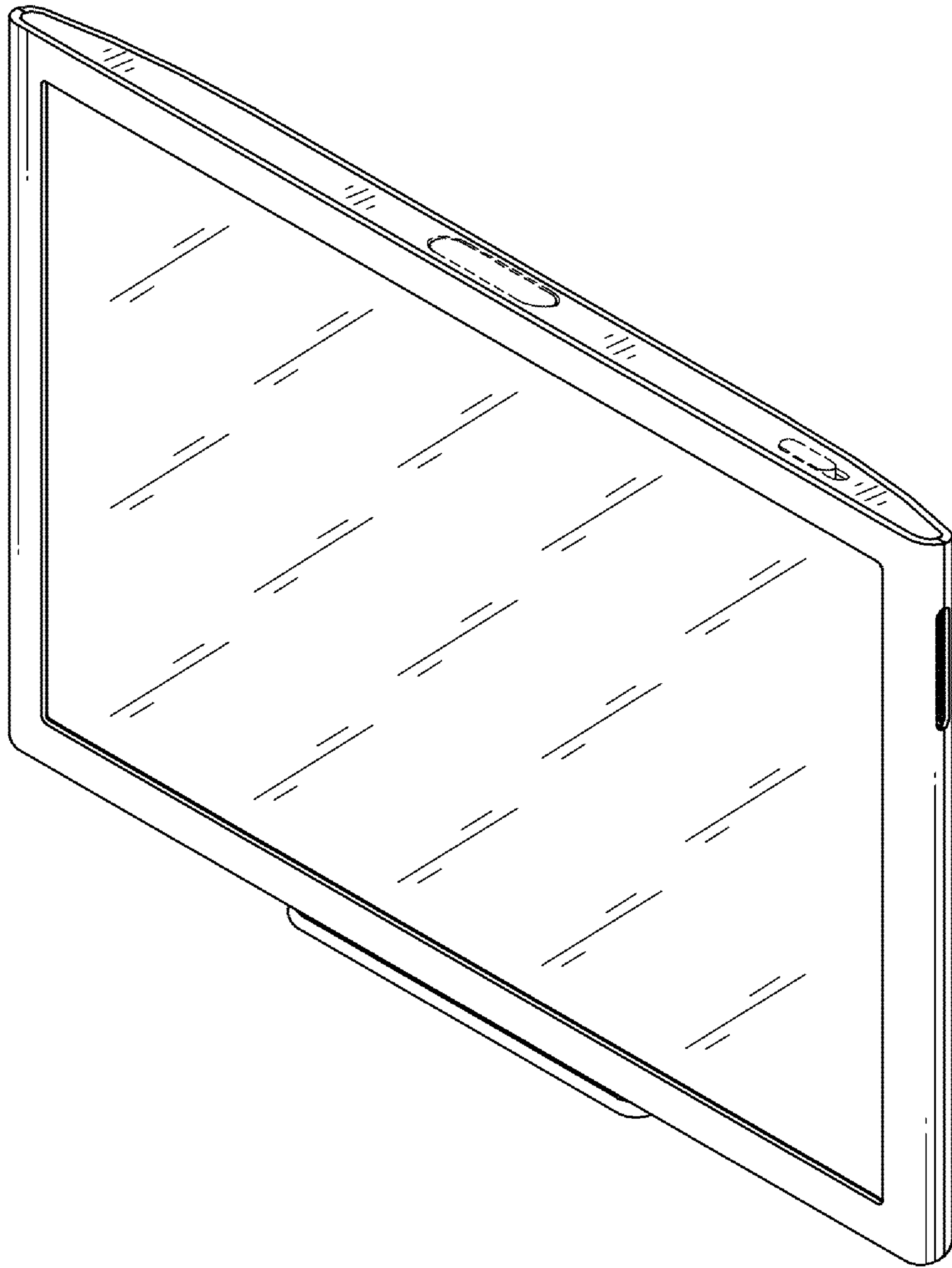


FIG. 1

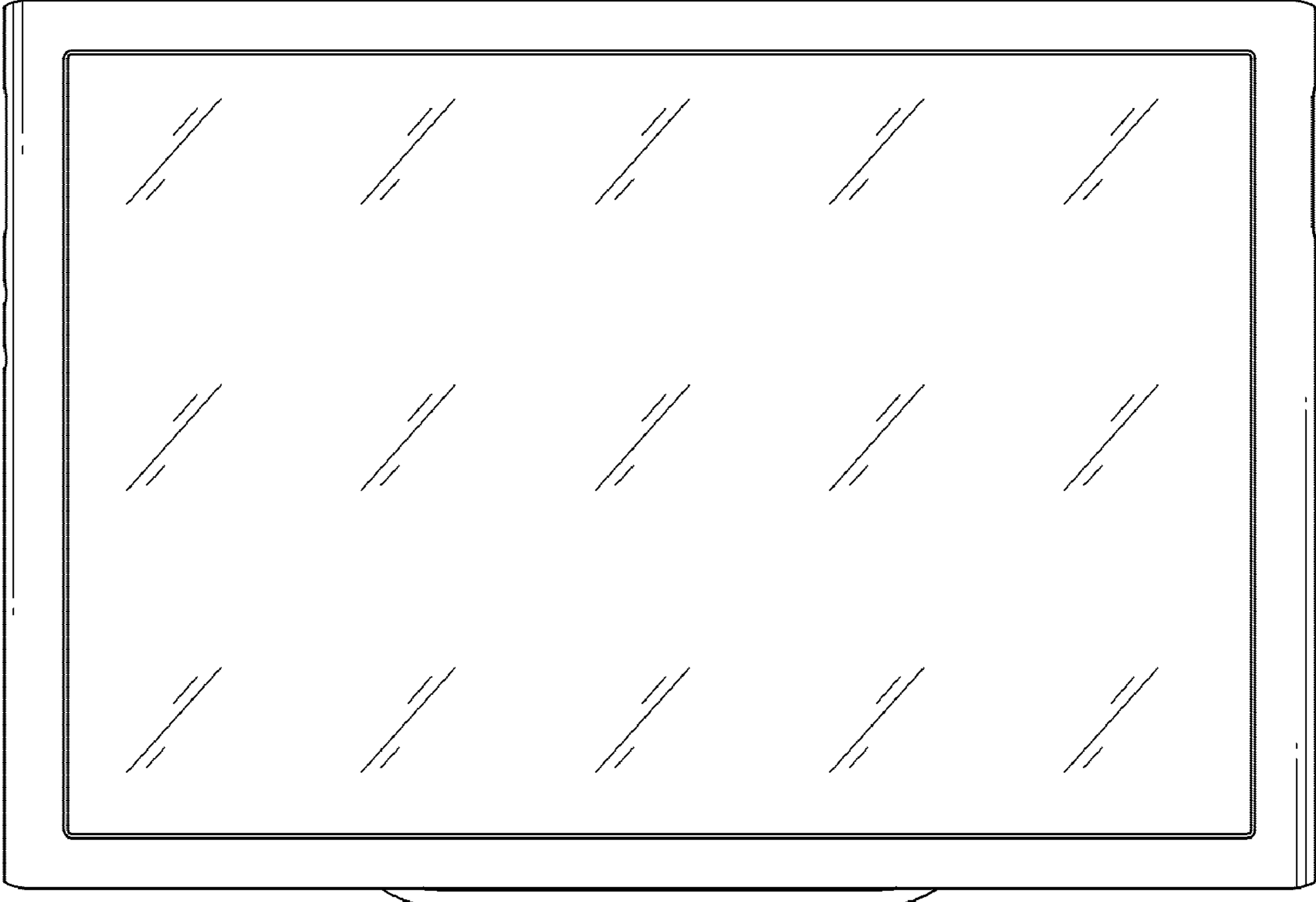


FIG. 2

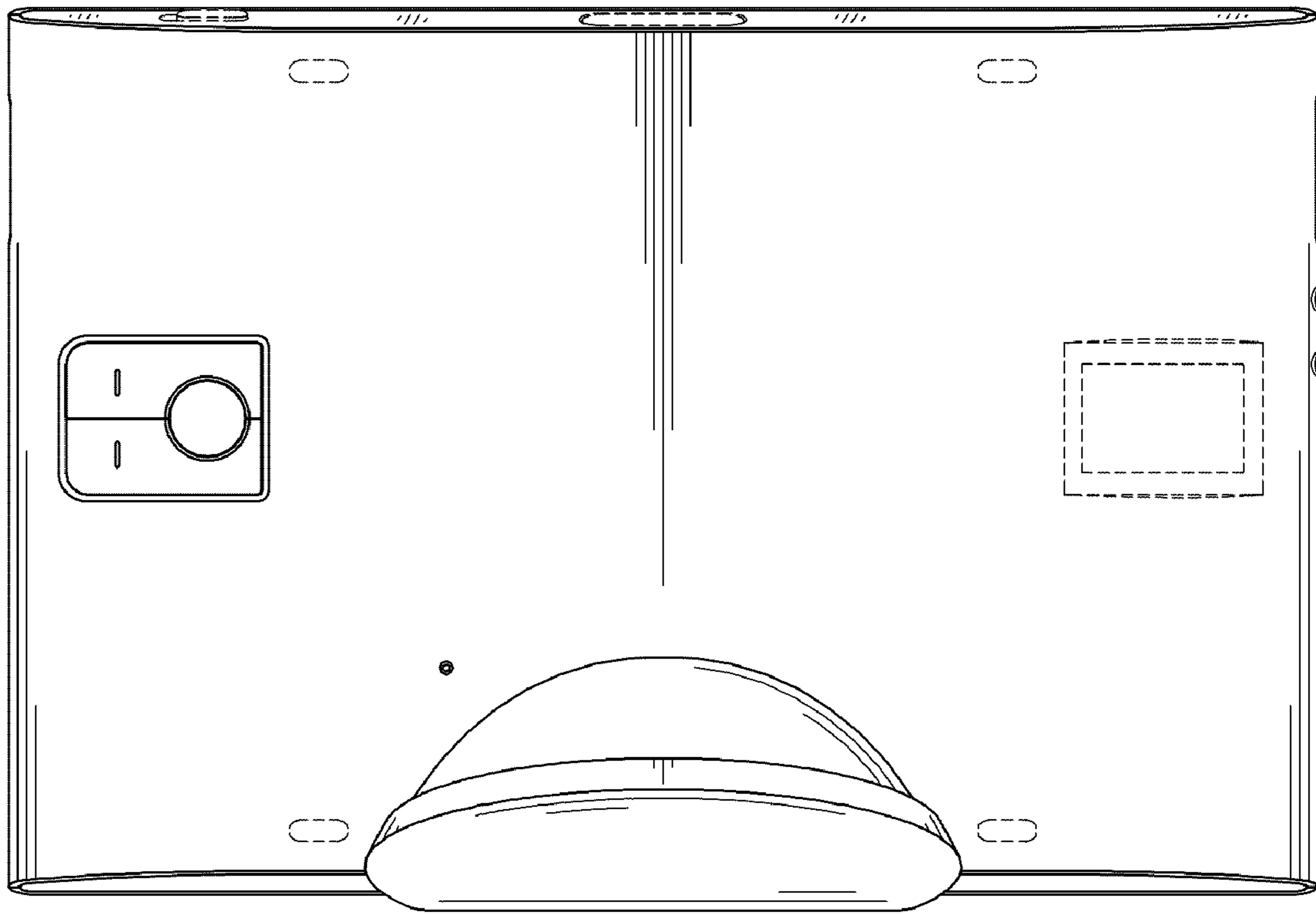


FIG. 3

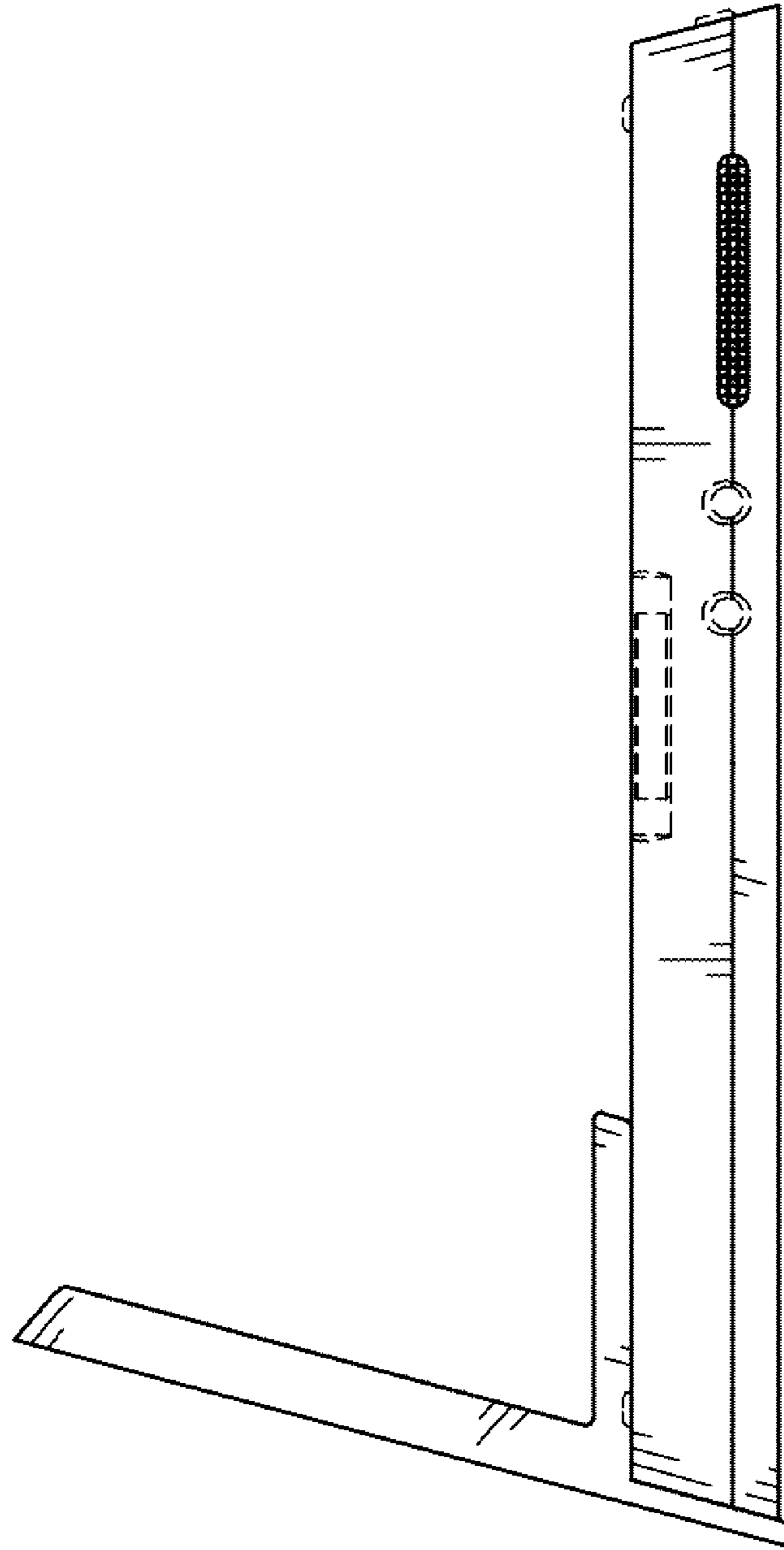


FIG. 4

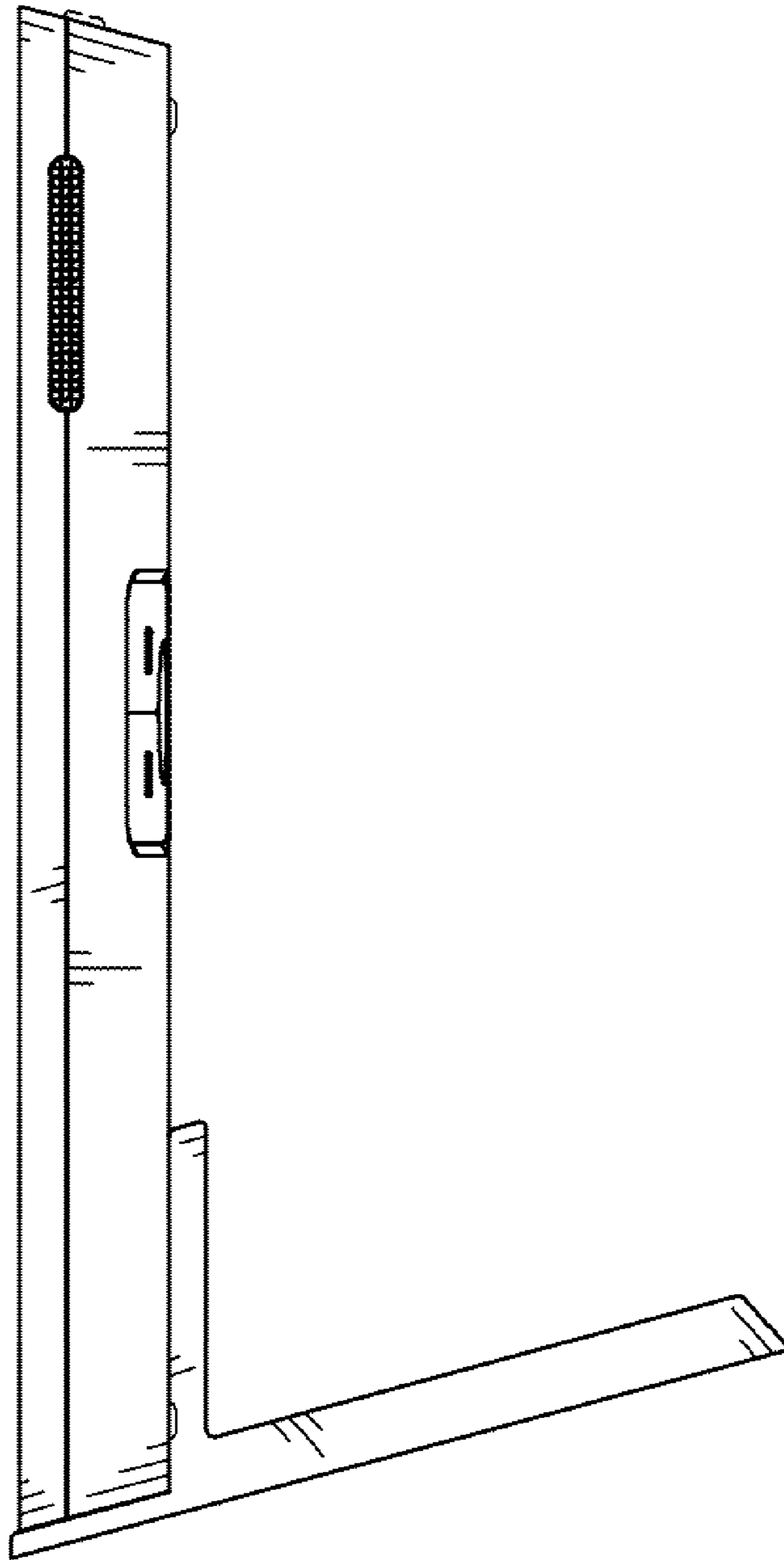


FIG. 5

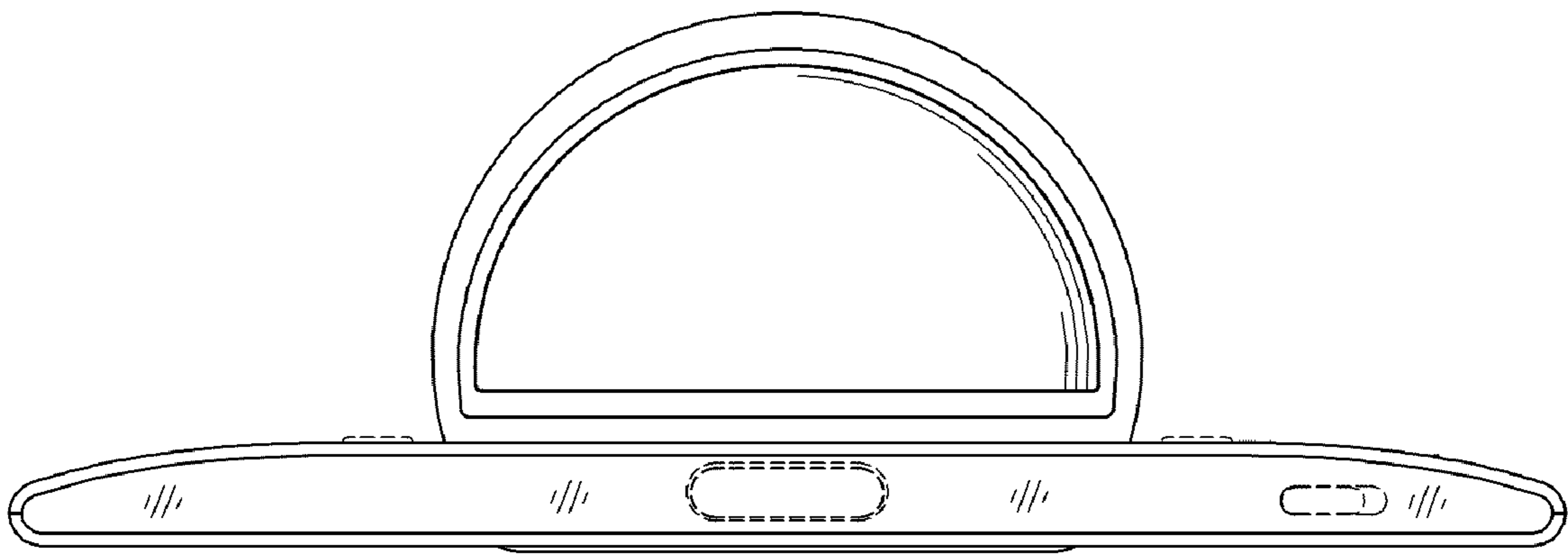


FIG. 6

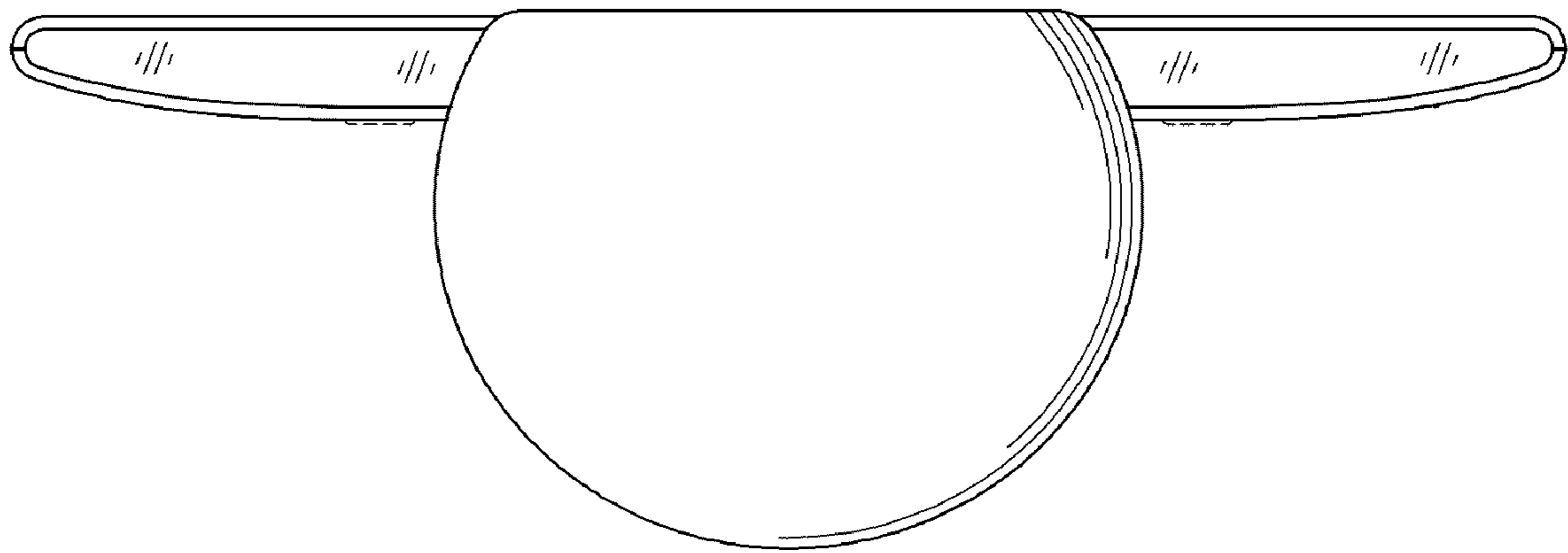


FIG. 7

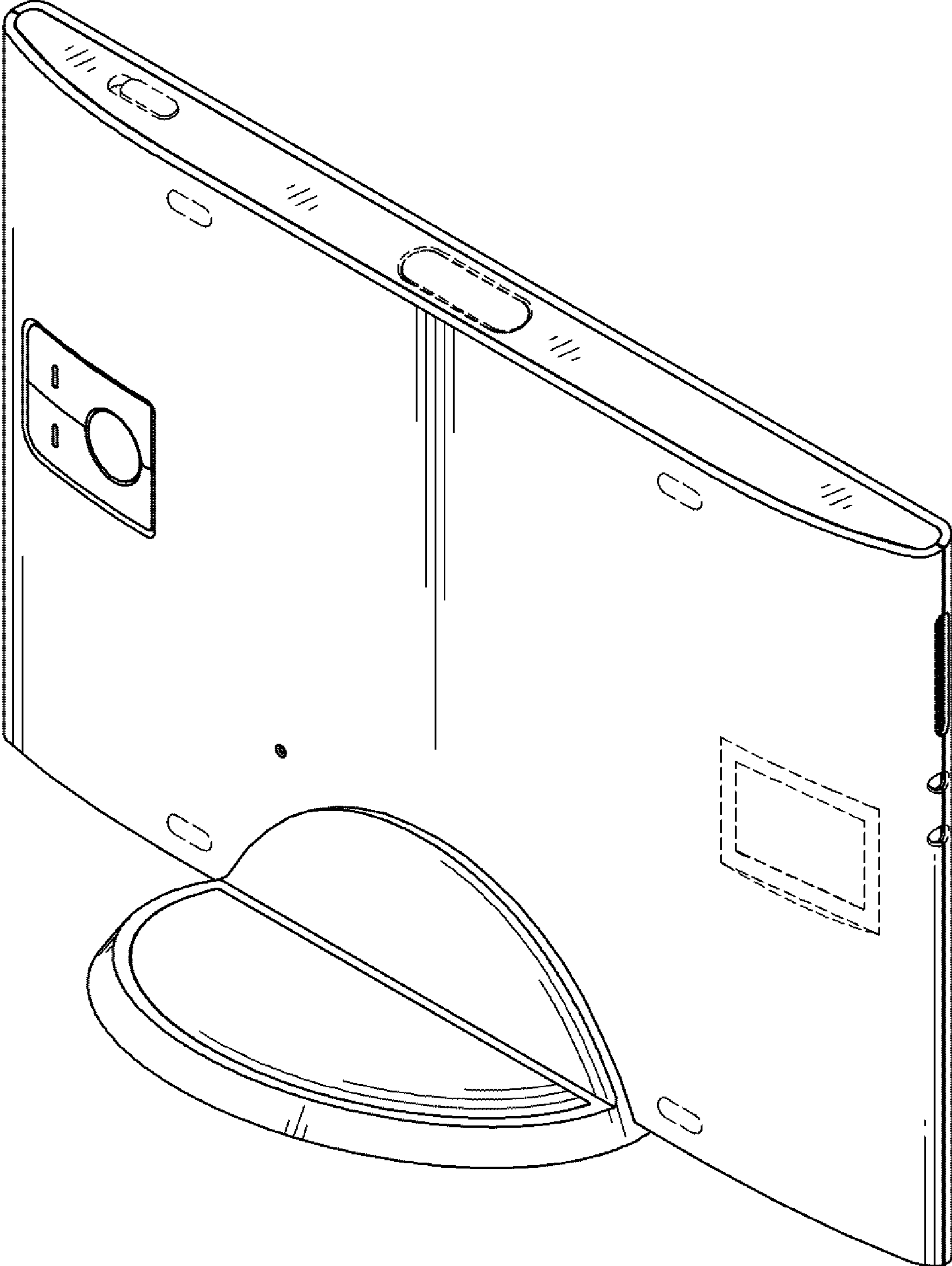


FIG. 8