



US00D642559S

(12) **United States Design Patent**
Goetzen et al.

(10) **Patent No.:** **US D642,559 S**

(45) **Date of Patent:** **** Aug. 2, 2011**

(54) **COMBINED AUDIO PLAYER AND RECORDER**

(75) Inventors: **Mirko Goetzen**, Surrey (GB); **Hiroaki Yokota**, Tokyo (JP)

(73) Assignee: **Sony Corporation**, Tokyo (JP)

(**) Term: **14 Years**

(21) Appl. No.: **29/347,894**

(22) Filed: **Jul. 15, 2010**

(30) **Foreign Application Priority Data**

Jan. 19, 2010 (JP) D2010-001073

(51) **LOC (9) Cl.** **14-01**

(52) **U.S. Cl.** **D14/257**

(58) **Field of Classification Search** D13/177,
D13/182; D14/168, 157, 188, 197-198,
D14/257-258, 496, 498-511, 348, 356, 365,
D14/367-368; 360/99.02; 369/75.11, 75.21,
369/77.11, 77.21; 455/344, 347-351

See application file for complete search history.

(56) **References Cited**

U.S. PATENT DOCUMENTS

D373,589 S * 9/1996 Peterson et al. D14/257
D418,136 S * 12/1999 Kizawa D14/188
D427,987 S 7/2000 Tanaka et al.
D428,611 S 7/2000 Takahashi et al.
D428,872 S 8/2000 Kizawa
D431,814 S 10/2000 Sasago

D434,014 S 11/2000 Sasago
D461,788 S 8/2002 Oka
D475,357 S 6/2003 Tejima
D476,651 S * 7/2003 Clark et al. D14/257
D563,942 S 3/2008 Tejima
D564,477 S 3/2008 Tejima
D569,840 S * 5/2008 Tejima D14/188
D570,330 S 6/2008 Tejima
D599,747 S * 9/2009 Vigil D13/177
D613,732 S 4/2010 Uchiyama et al.

FOREIGN PATENT DOCUMENTS

JP D1278173 S 8/2006

* cited by examiner

Primary Examiner — Nanda Bondade

(74) *Attorney, Agent, or Firm* — Rader, Fishman & Grauer PLLC

(57) **CLAIM**

The ornamental design for a combined audio player and recorder, as shown and described.

DESCRIPTION

FIG. 1 is a perspective view of a combined audio player and recorder showing our new design;

FIG. 2 is a front elevational view thereof;

FIG. 3 is a left side elevational view thereof;

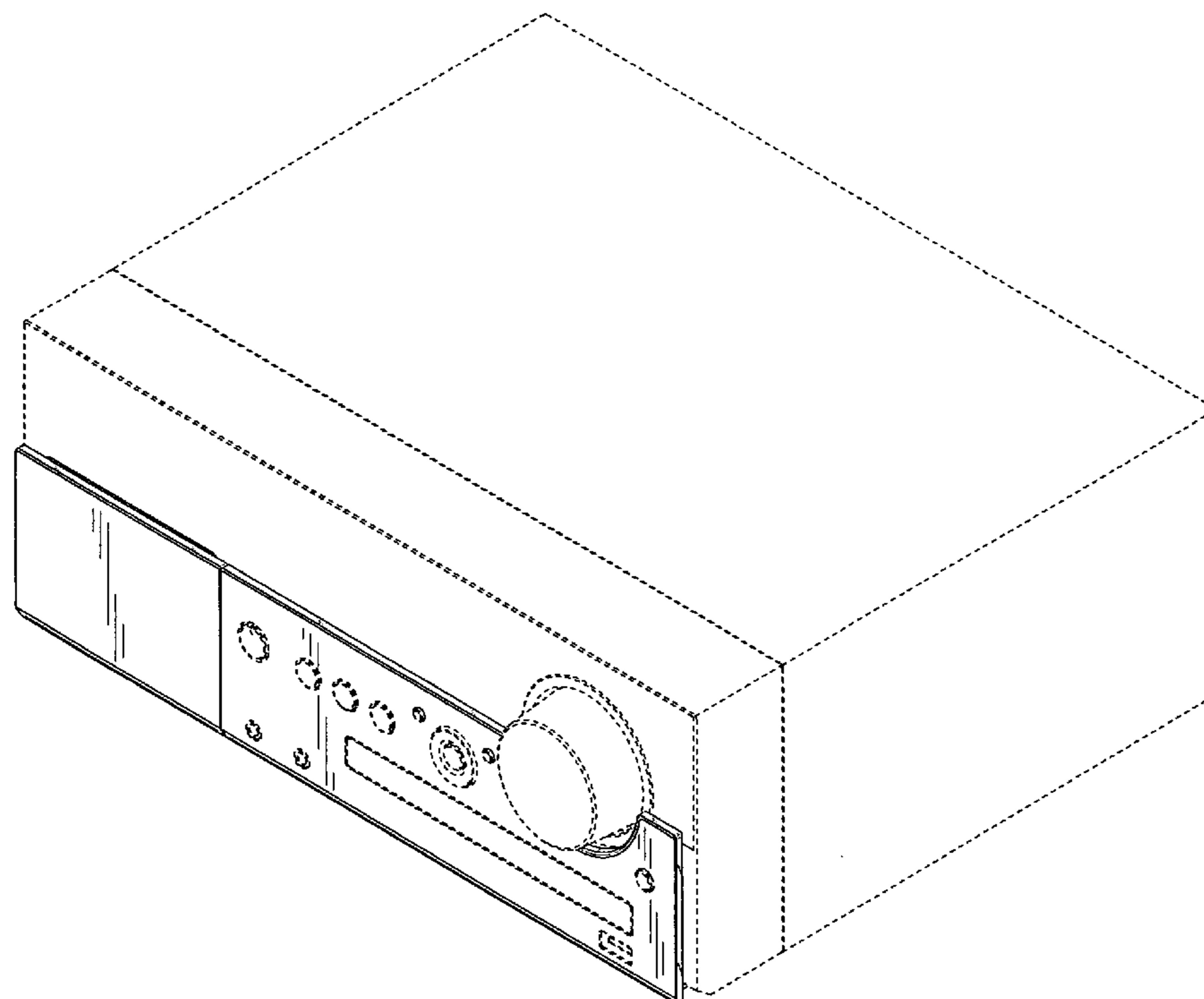
FIG. 4 is a right side elevational view thereof;

FIG. 5 is a top plan view thereof; and,

FIG. 6 is a bottom plan view thereof.

Portions in broken lines are for illustrative purposes only and form no part of claimed design.

1 Claim, 6 Drawing Sheets



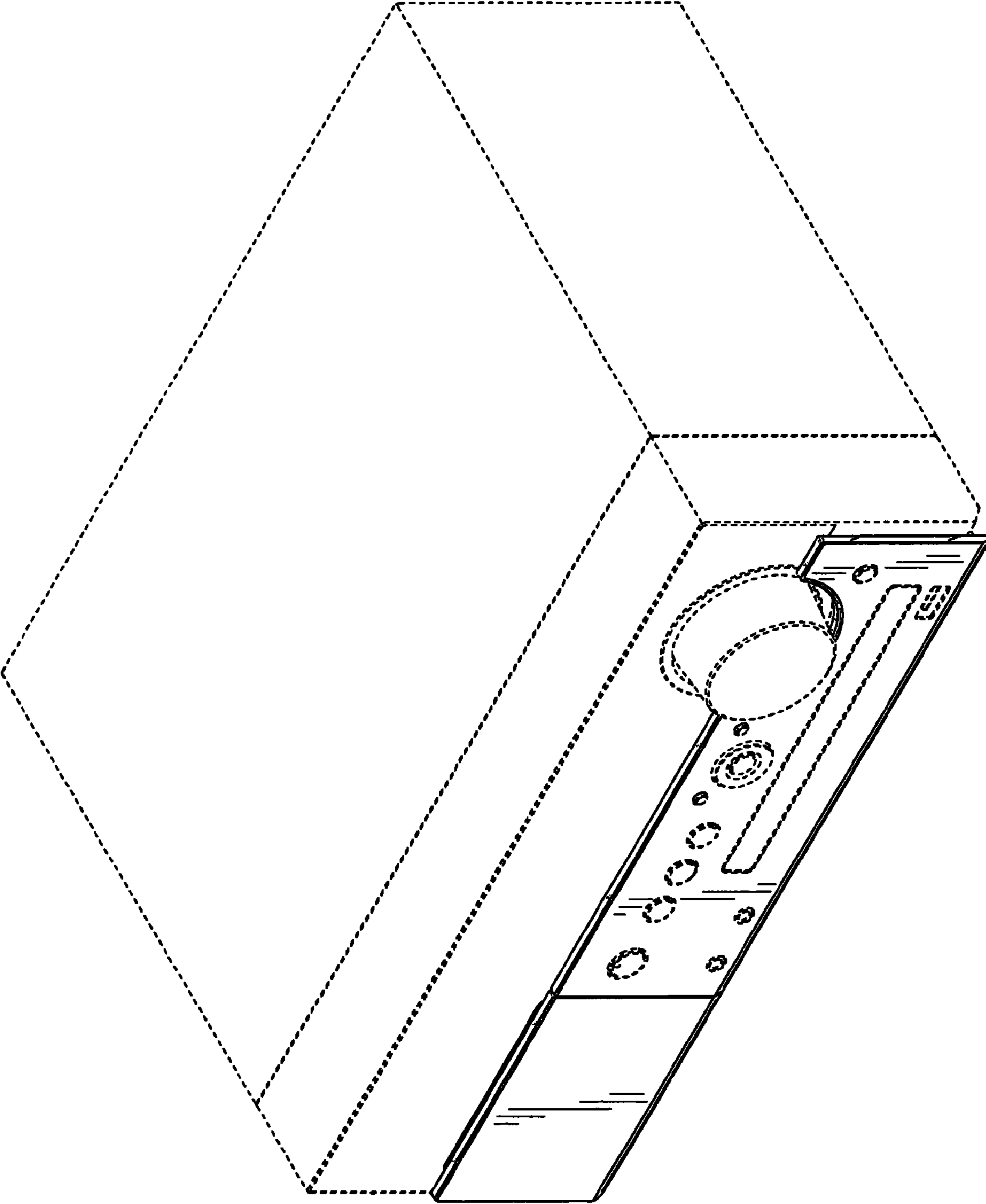


FIG.1

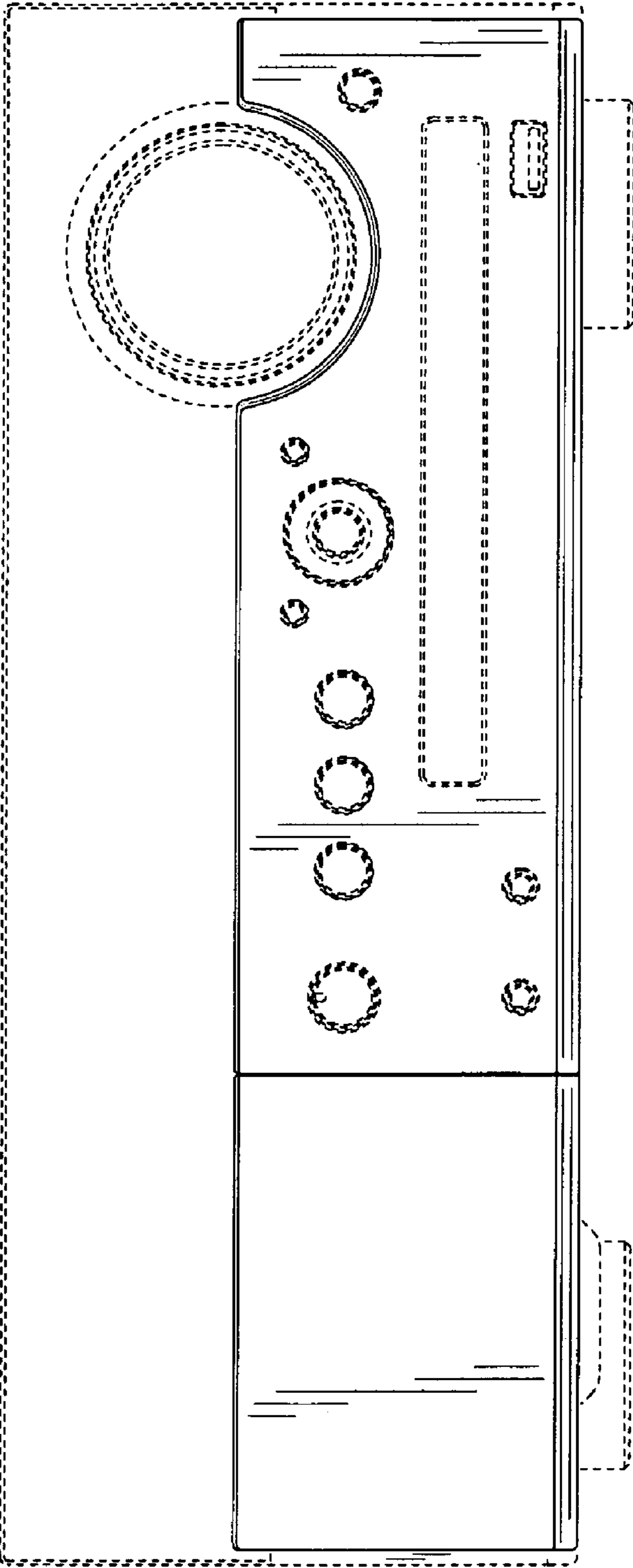


FIG.2

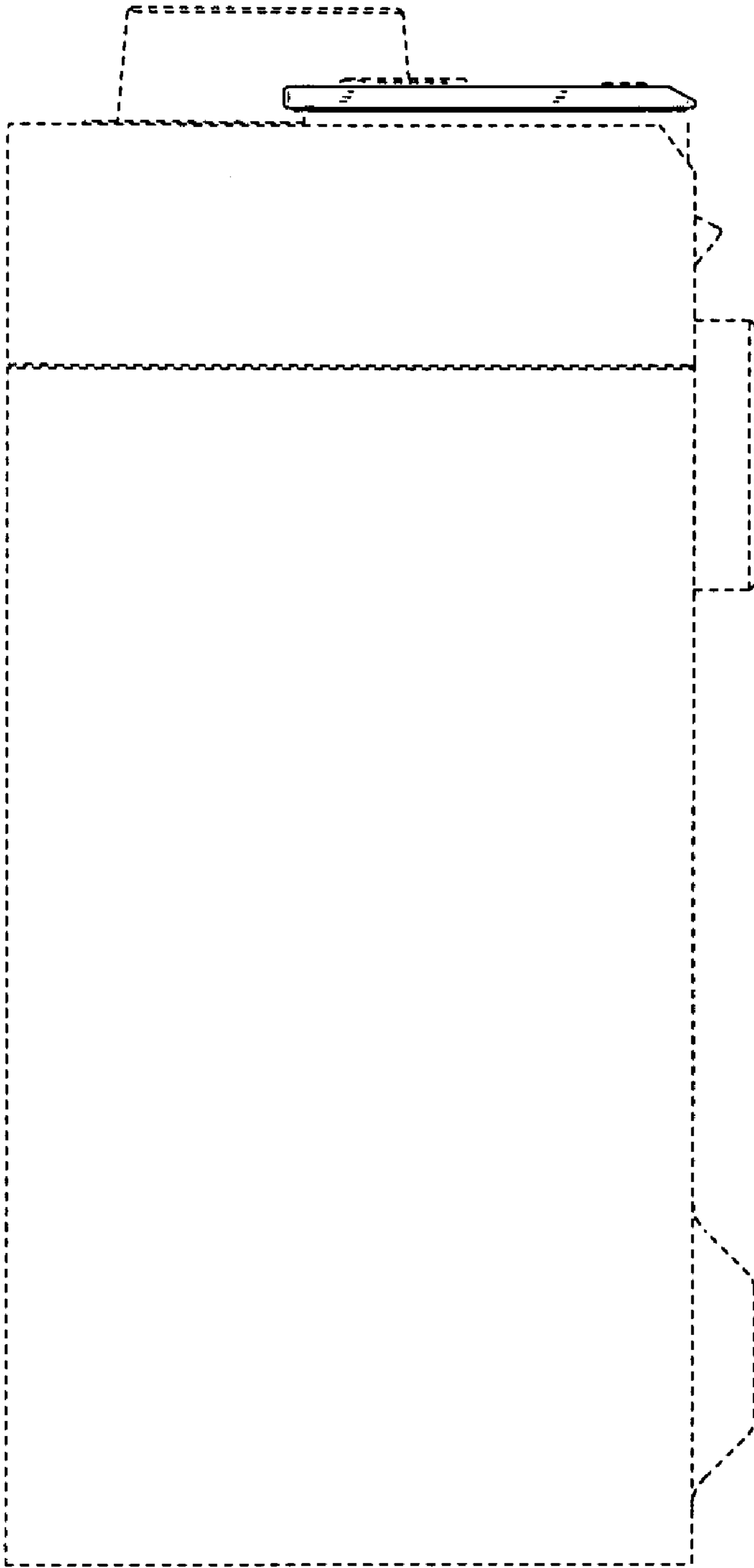


FIG. 3

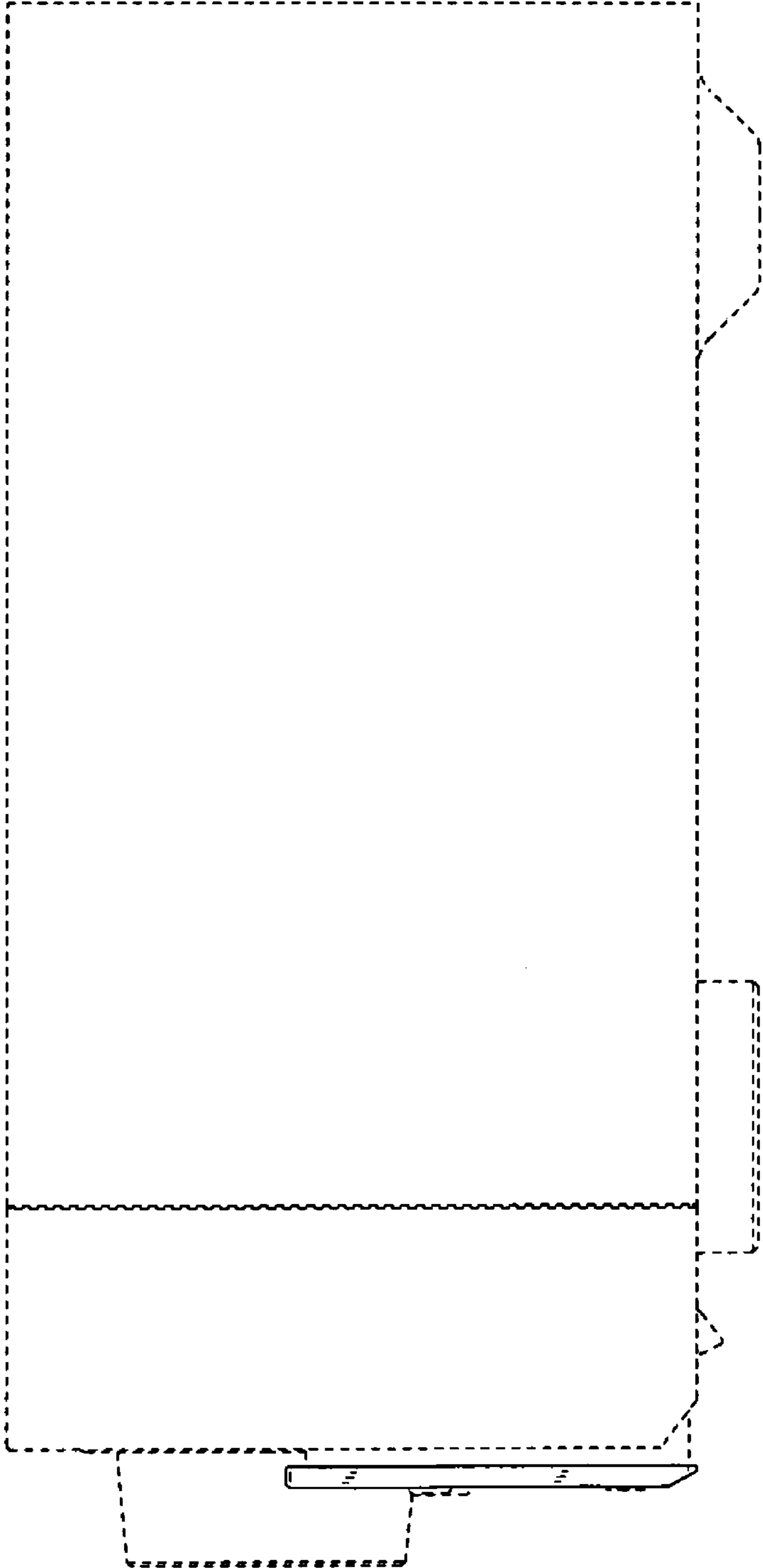


FIG. 4

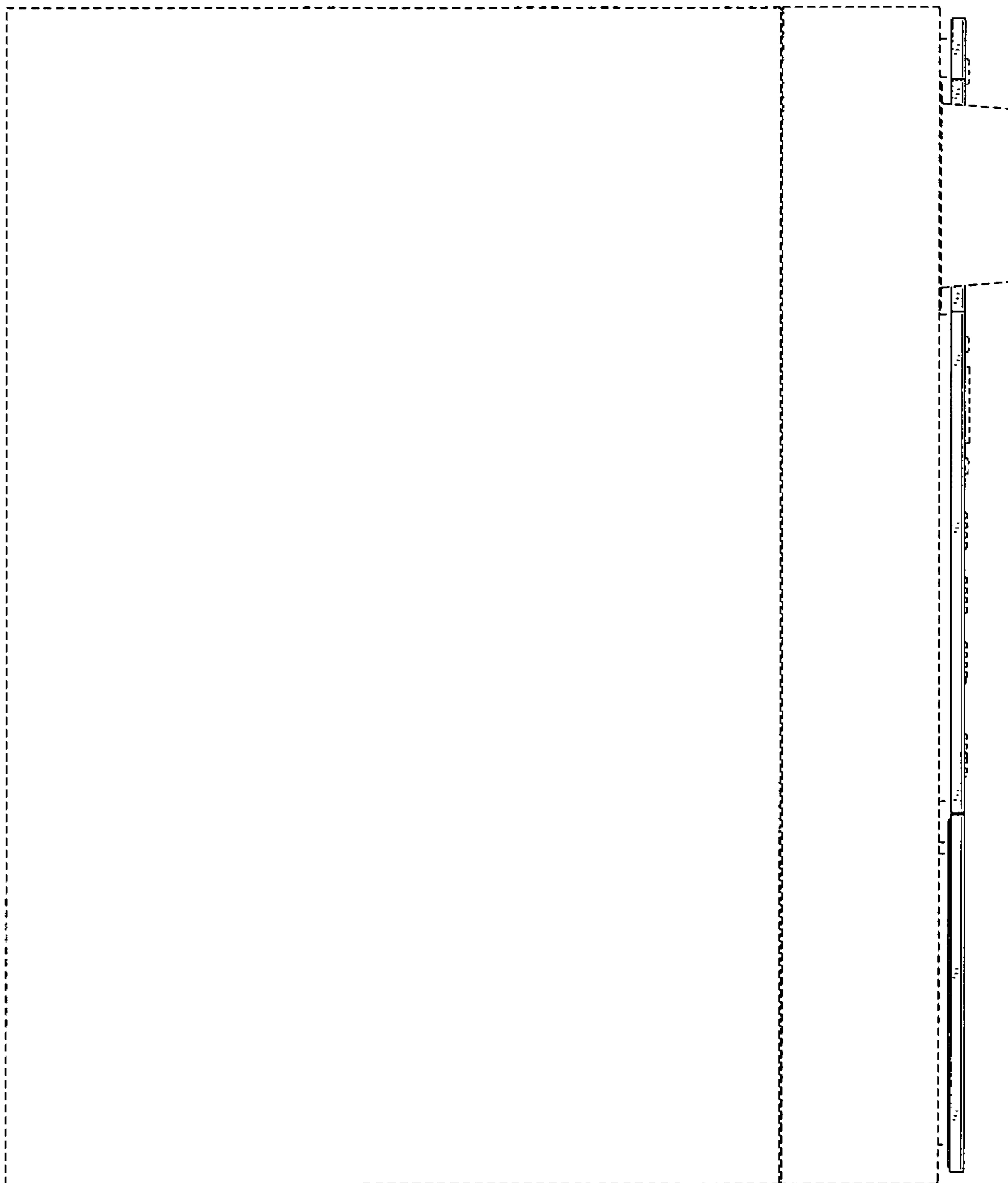


FIG. 5

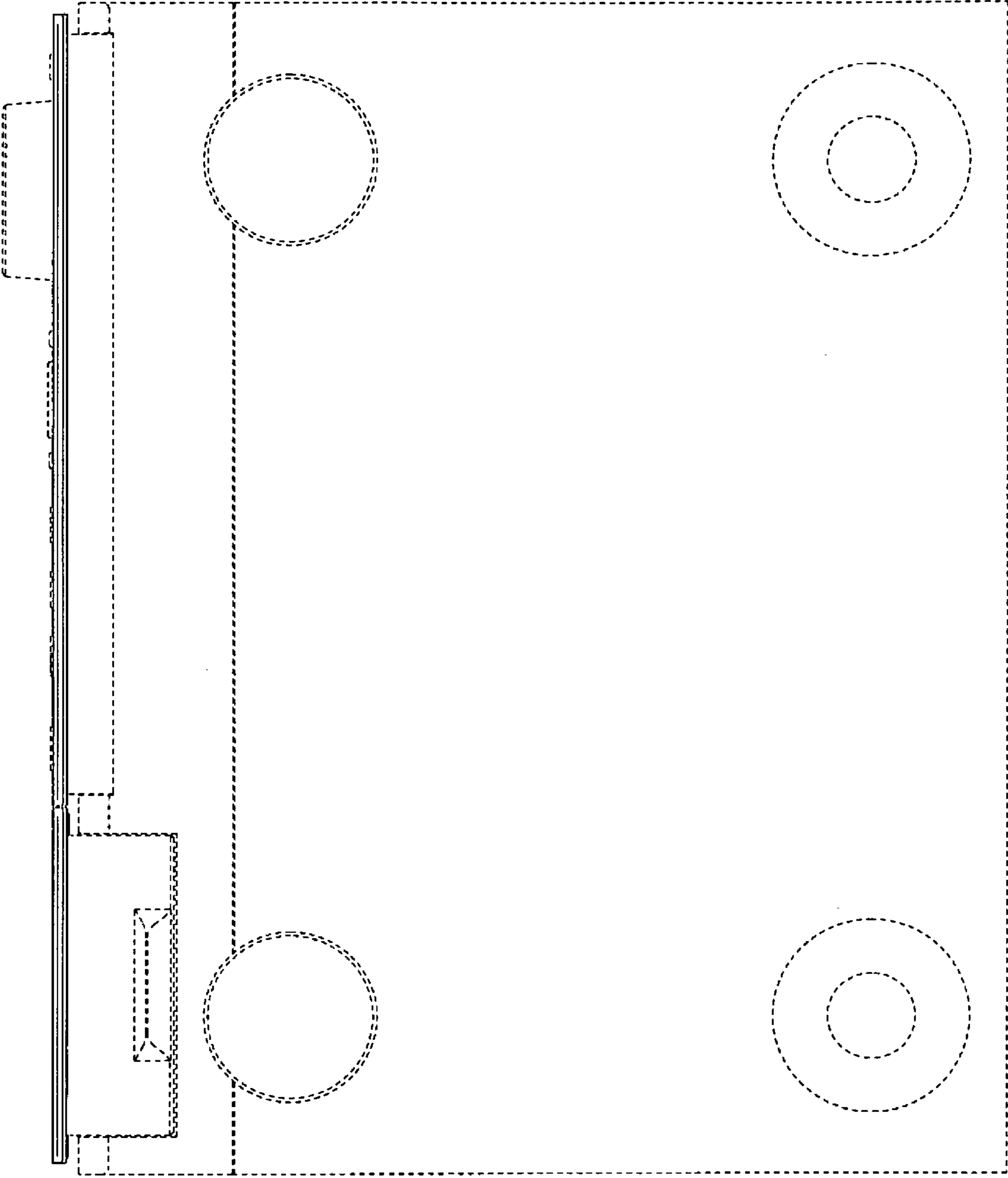


FIG.6