



US00D642556S

(12) **United States Design Patent**
Lee

(10) **Patent No.:** **US D642,556 S**
(45) **Date of Patent:** **** Aug. 2, 2011**

(54) **DOCKING STATION FOR ELECTRONIC DEVICE**

(75) Inventor: **Chuen-Wah Lee, Hong Kong (CN)**

(73) Assignee: **Clipsal Australia Pty Limited, Sydney (AU)**

(**) Term: **14 Years**

(21) Appl. No.: **29/314,369**

(22) Filed: **Mar. 24, 2009**

(30) **Foreign Application Priority Data**

Sep. 25, 2008 (HK) 0802352.5M002

(51) **LOC (9) Cl.** **14-03**

(52) **U.S. Cl.** **D14/217; D13/108**

(58) **Field of Classification Search** D14/142, D14/149, 155, 157, 188, 191-193, 203.1-203.8, D14/217, 251, 253, 432-435.1, 447, 451, D14/496, 474, 480.1-480.7; D13/107, 108, D13/118; D3/218; 248/221.11, 309.1; 320/107, 320/110, 113-115; 361/600; 439/529, 534; 455/556.1-556.2, 557

See application file for complete search history.

(56) **References Cited**

U.S. PATENT DOCUMENTS

D402,625 S * 12/1998 Smith D13/108
D412,162 S * 7/1999 Tal et al. D14/447

D529,489 S *	10/2006	Sbordon, Jr.	D14/253
D540,816 S *	4/2007	Kim	D14/496
D549,171 S *	8/2007	Sbordon, Jr.	D13/108
D579,025 S *	10/2008	Liu	D14/496
D581,899 S *	12/2008	Skurdal	D14/171
D590,184 S *	4/2009	Barabas et al.	D6/466
D590,369 S *	4/2009	Gonser et al.	D14/149
D608,351 S *	1/2010	Song	D14/217
D609,697 S *	2/2010	Legrand et al.	D14/217
D609,707 S *	2/2010	Lee	D14/434
D610,567 S *	2/2010	Townsend	D14/149

* cited by examiner

Primary Examiner — Stella Reid

Assistant Examiner — Keli L Hill

(74) *Attorney, Agent, or Firm* — Alix, Yale & Ristas, LLP

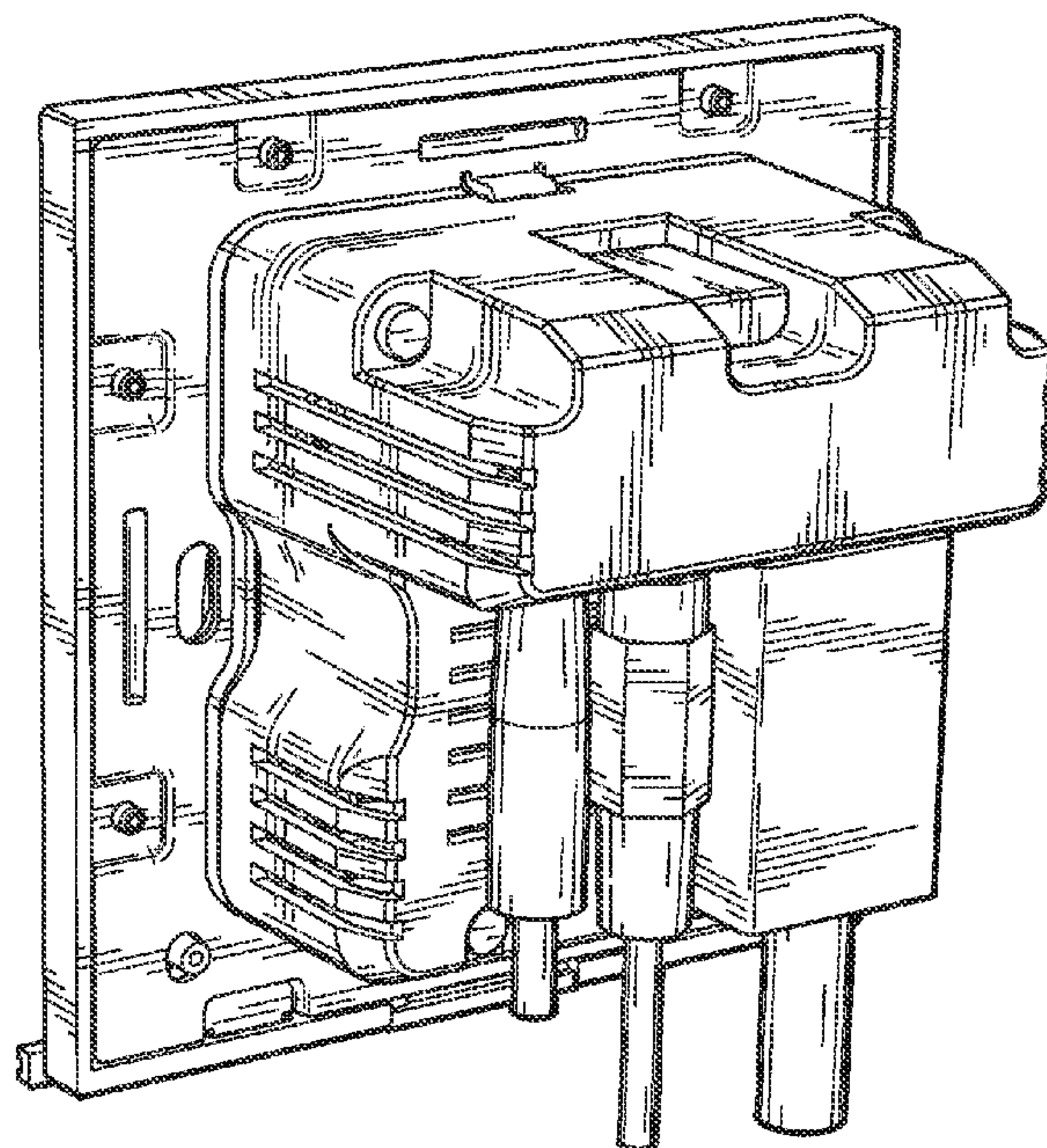
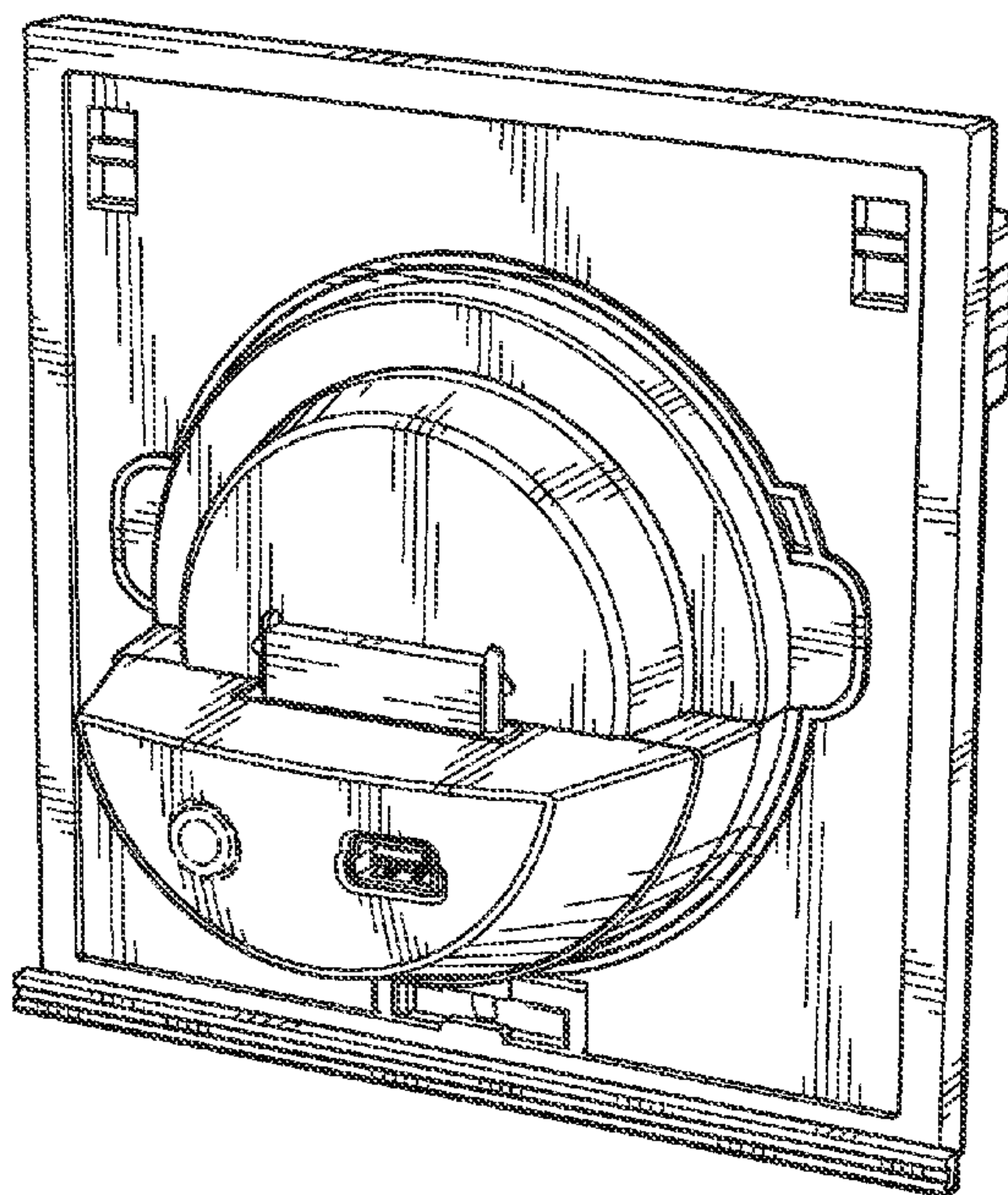
(57) **CLAIM**

The ornamental design for a docking station for electronic device, as shown and described.

DESCRIPTION

FIG. 1 is a front perspective view of a docking station for electronic device showing my new design; FIG. 2 is a rear perspective view thereof; FIG. 3 is a top plan view thereof; FIG. 4 is a front elevational view thereof. FIG. 5 is a rear elevational view thereof; FIG. 6 is a bottom plan view thereof; FIG. 7 is a left side elevational view thereof; and, FIG. 8 is a right side elevational view thereof. The portions shown in broken lines form no part of the claimed design.

1 Claim, 4 Drawing Sheets



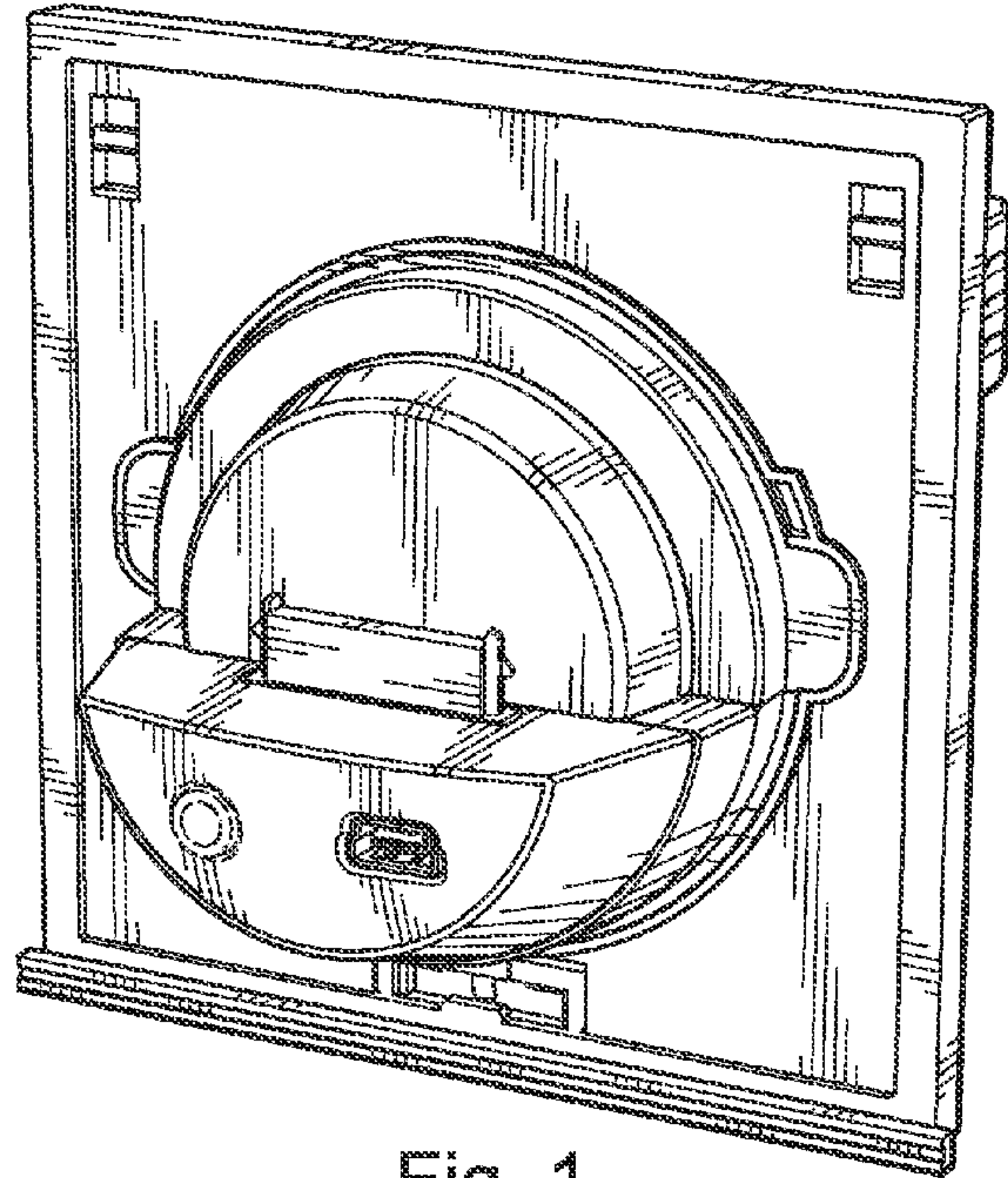


Fig. 1

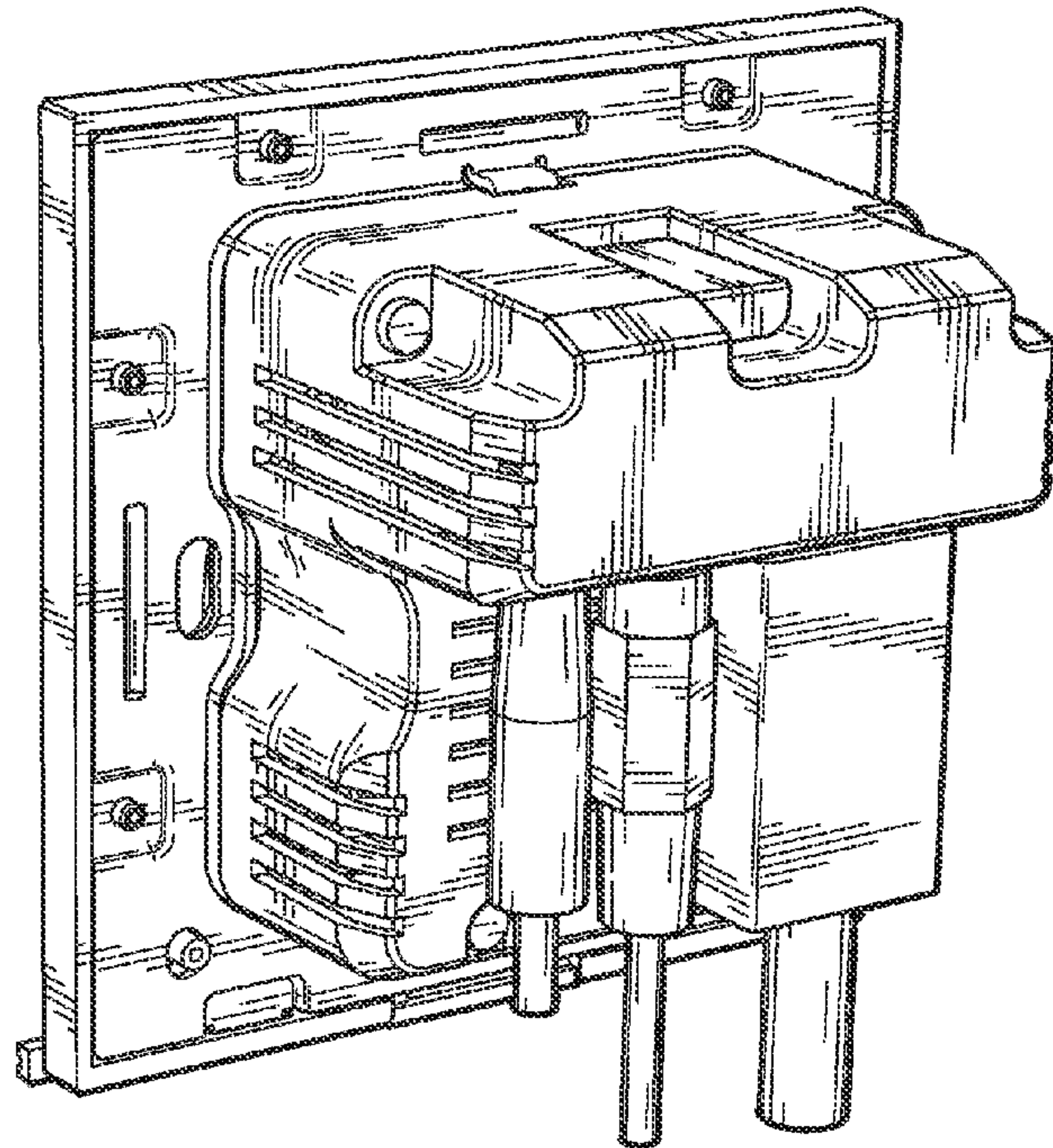


Fig. 2

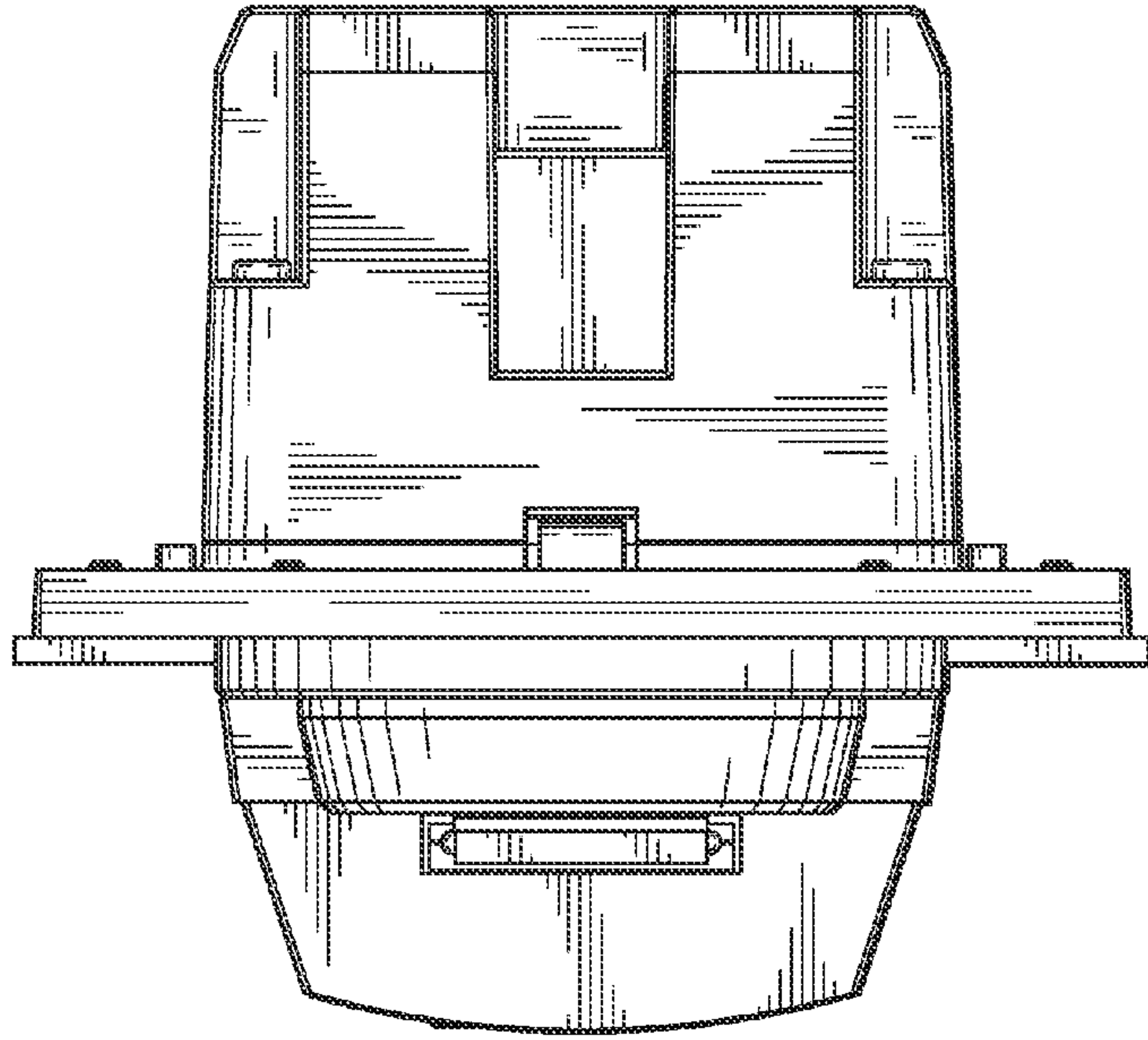


Fig. 3

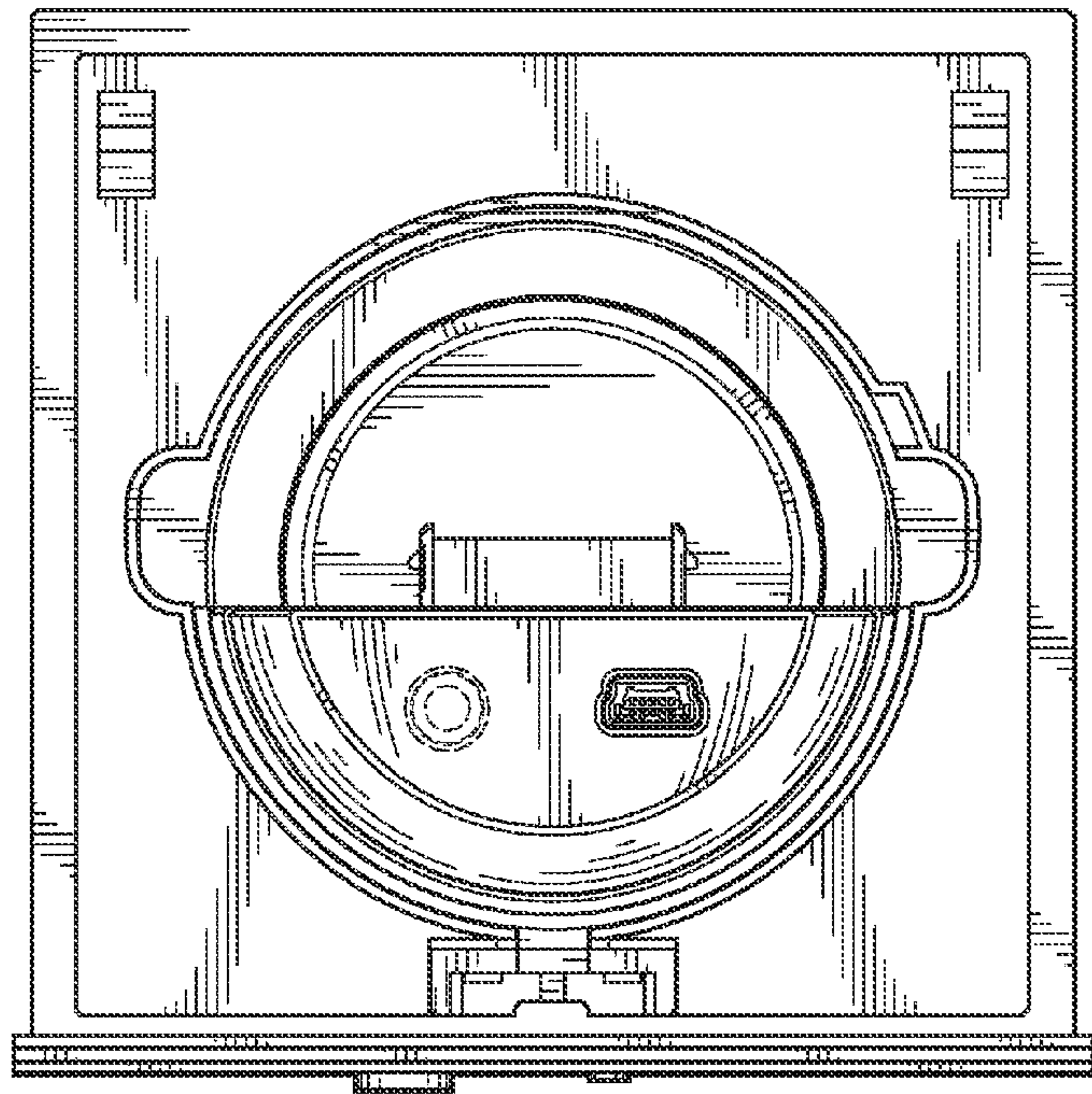


Fig. 4

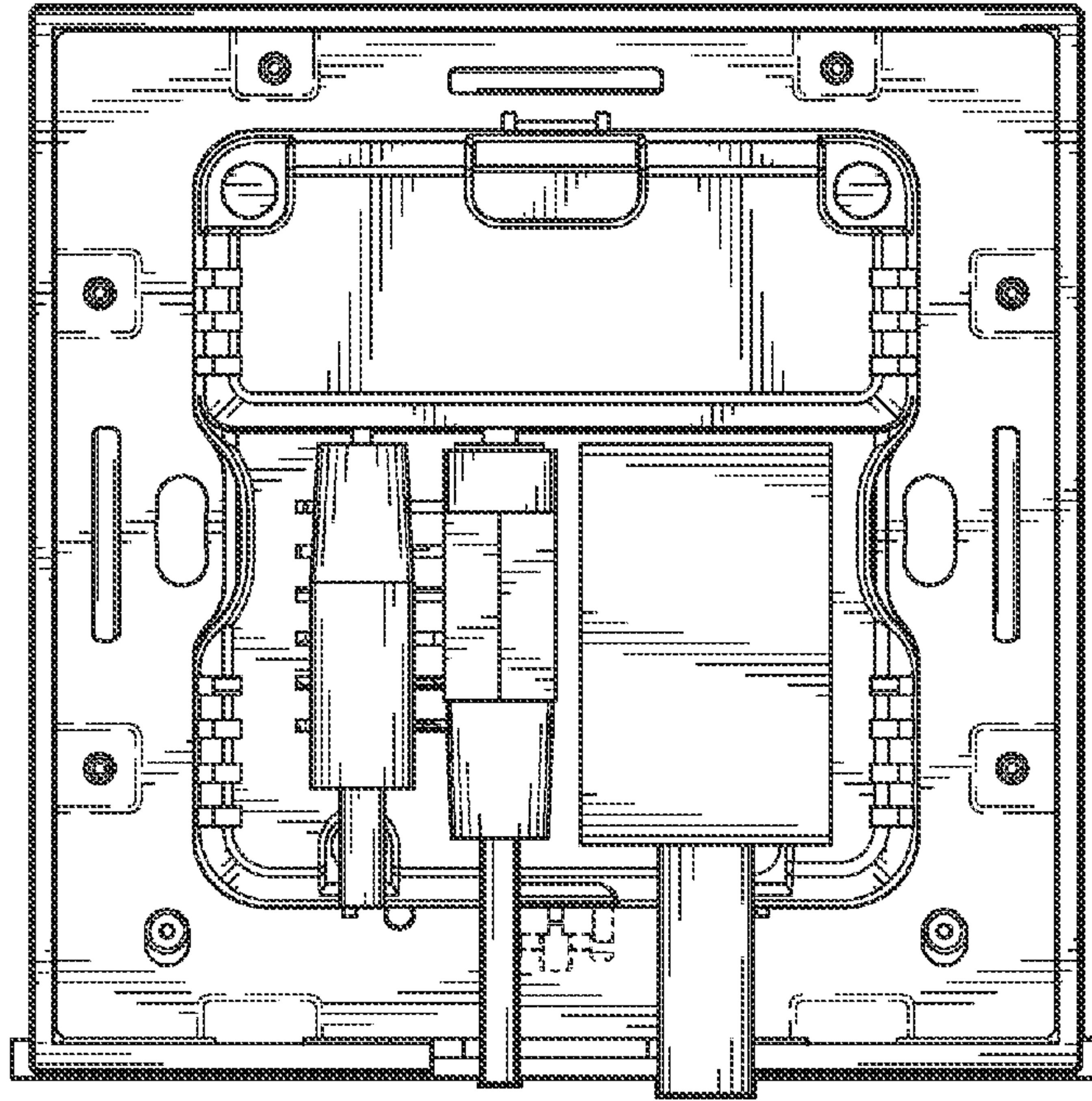


Fig.5

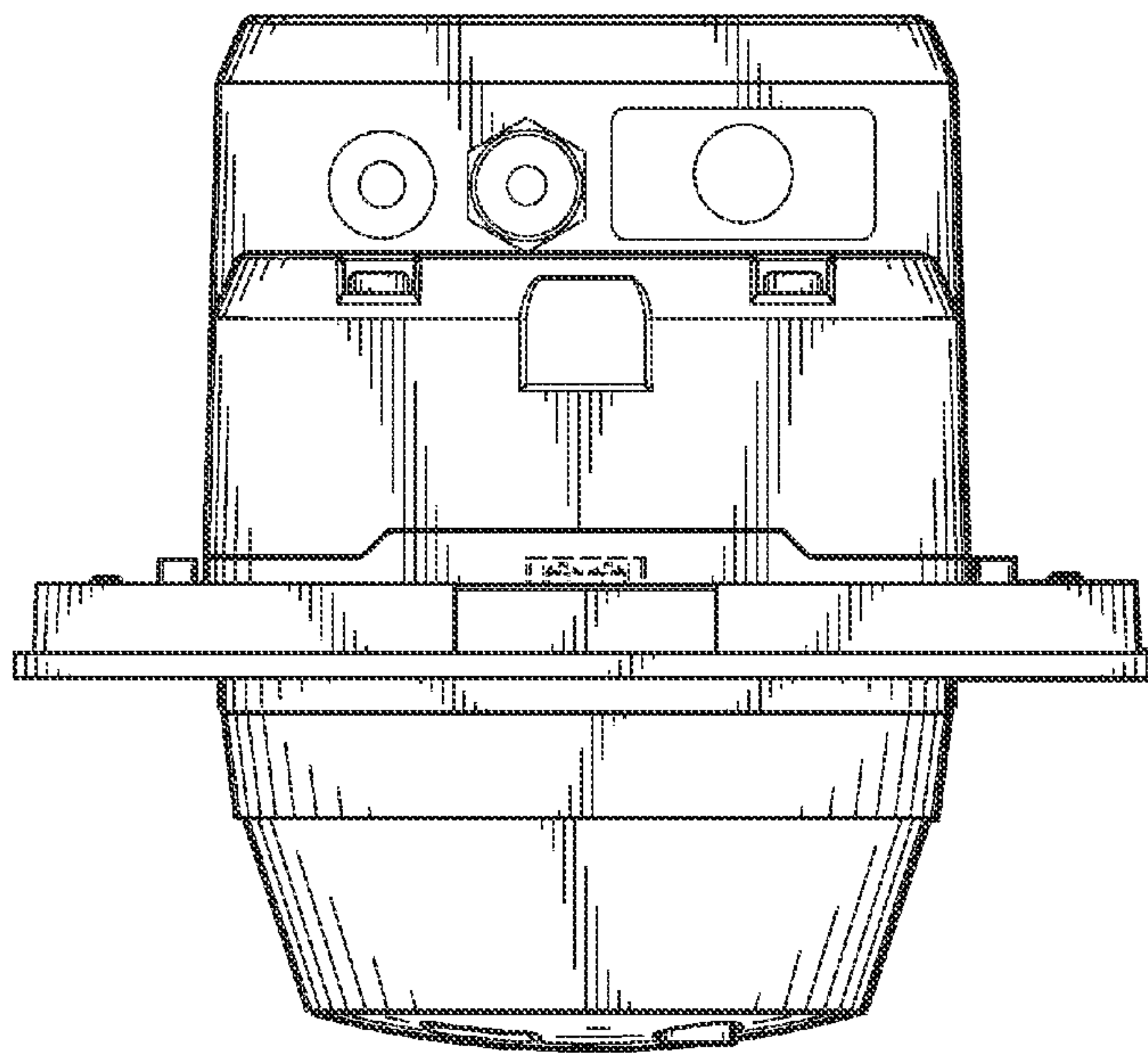


Fig.6

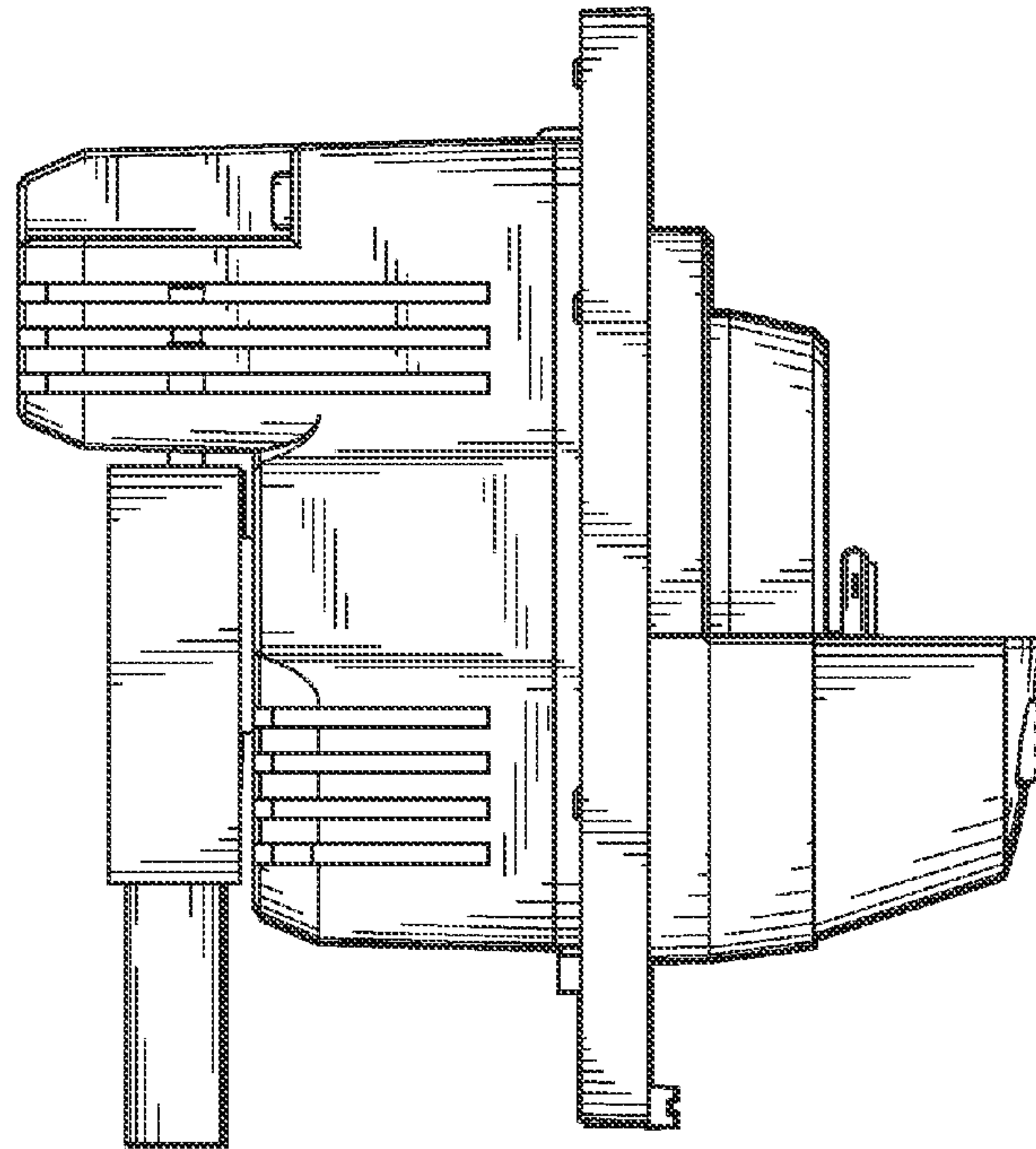


Fig. 7

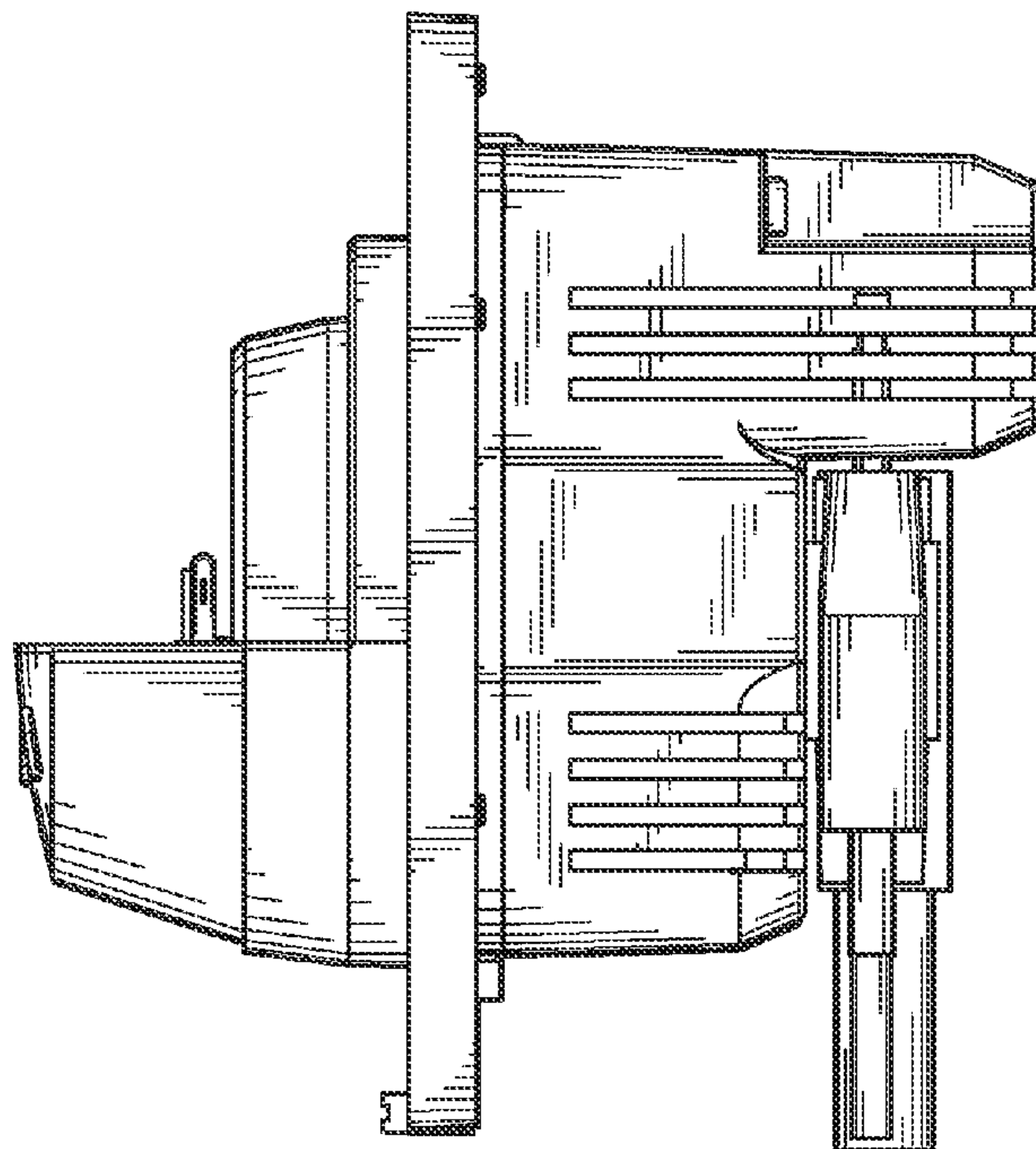


Fig. 8