



US00D642555S

(12) **United States Design Patent**
Hawkins et al.

(10) **Patent No.:** **US D642,555 S**

(45) **Date of Patent:** **** Aug. 2, 2011**

(54) **LOUDSPEAKER**

(75) Inventors: **Bernard Francis Hawkins**, Long Beach, CA (US); **Jason H. Delarm**, Huntington Beach, CA (US); **Joseph Chavez**, Irvine, CA (US); **Yasushi Shimabukuro**, Mission Viejo, CA (US); **Justin A. O'Connor**, Fountain Valley, CA (US)

(73) Assignee: **QSC Audio Products, LLC**, Costa Mesa, CA (US)

(**) Term: **14 Years**

(21) Appl. No.: **29/384,482**

(22) Filed: **Jan. 31, 2011**

Related U.S. Application Data

(62) Division of application No. 29/357,997, filed on Mar. 19, 2010.

(51) **LOC (9) Cl.** **14-01**

(52) **U.S. Cl.** **D14/214**

(58) **Field of Classification Search** D14/204, D14/210-214, 172; 181/143-144, 147-148, 181/150-153, 157, 198-199; 381/300-303, 381/306, 332-333, 336, 345, 361-364, 386-388
See application file for complete search history.

(56) **References Cited**

U.S. PATENT DOCUMENTS

D163,700 S 6/1951 Klipsch
4,805,730 A * 2/1989 O'Neill et al. 181/148

D439,238 S * 3/2001 Mackie et al. D14/214
D496,352 S * 9/2004 Crook et al. D14/214
D565,549 S * 4/2008 Sawhney et al. D14/214
D591,724 S * 5/2009 Davies et al. D14/214

* cited by examiner

Primary Examiner — Nanda Bondade

(74) *Attorney, Agent, or Firm* — Dickstein Shapiro LLP

(57) **CLAIM**

The ornamental design for a loudspeaker, as shown and described.

DESCRIPTION

FIG. 1 is a perspective view of a loudspeaker comprising a first embodiment of the ornamental design of the present invention;

FIG. 2 is a front view of the loudspeaker of FIG. 1;

FIG. 3 is a side view of the loudspeaker of FIG. 1;

FIG. 4 is a rear view of the loudspeaker of FIG. 1;

FIG. 5 is an opposite side view of the loudspeaker of FIG. 1;

FIG. 6 is a top view of the loudspeaker of FIG. 1;

FIG. 7 is a bottom view of the loudspeaker of FIG. 1;

FIG. 8 is a perspective view of a loudspeaker comprising a second embodiment of the ornamental design of the present invention;

FIG. 9 is a front view of the loudspeaker of FIG. 8;

FIG. 10 is a side view of the loudspeaker of FIG. 8;

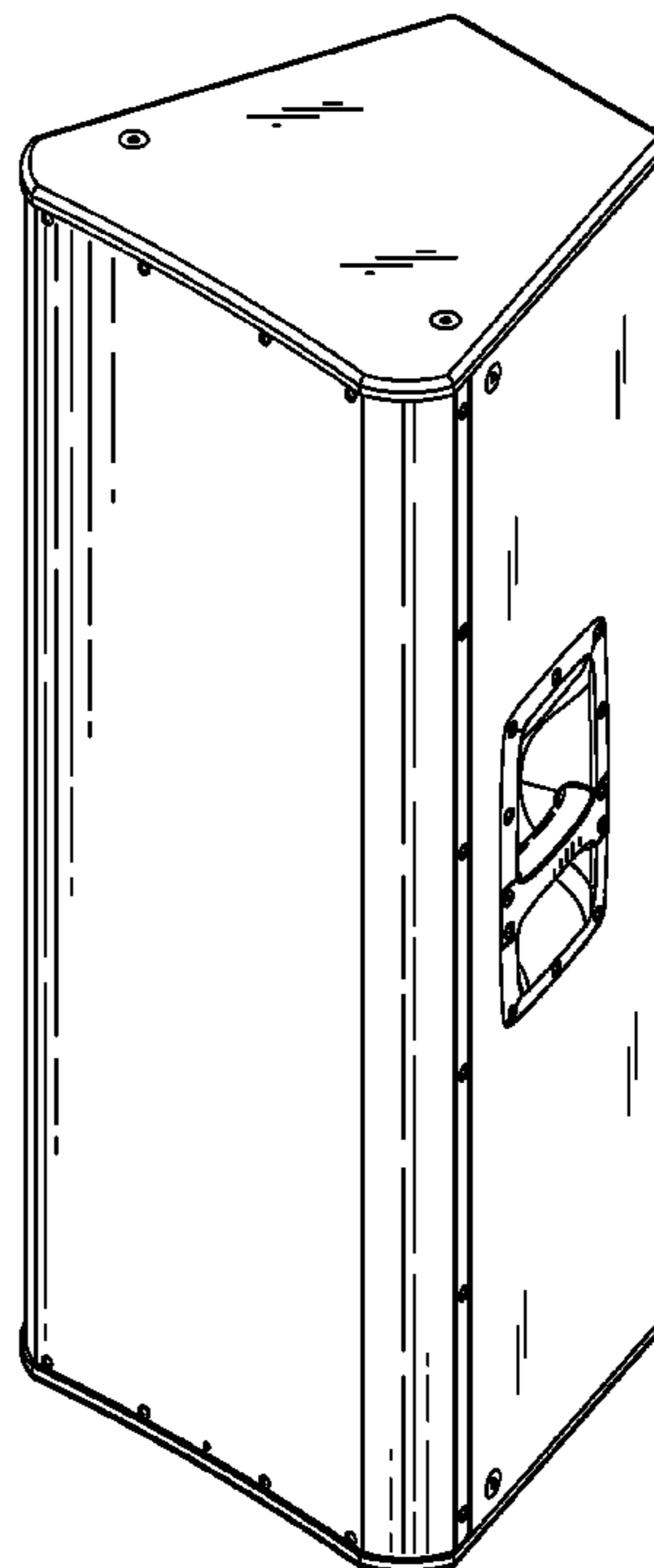
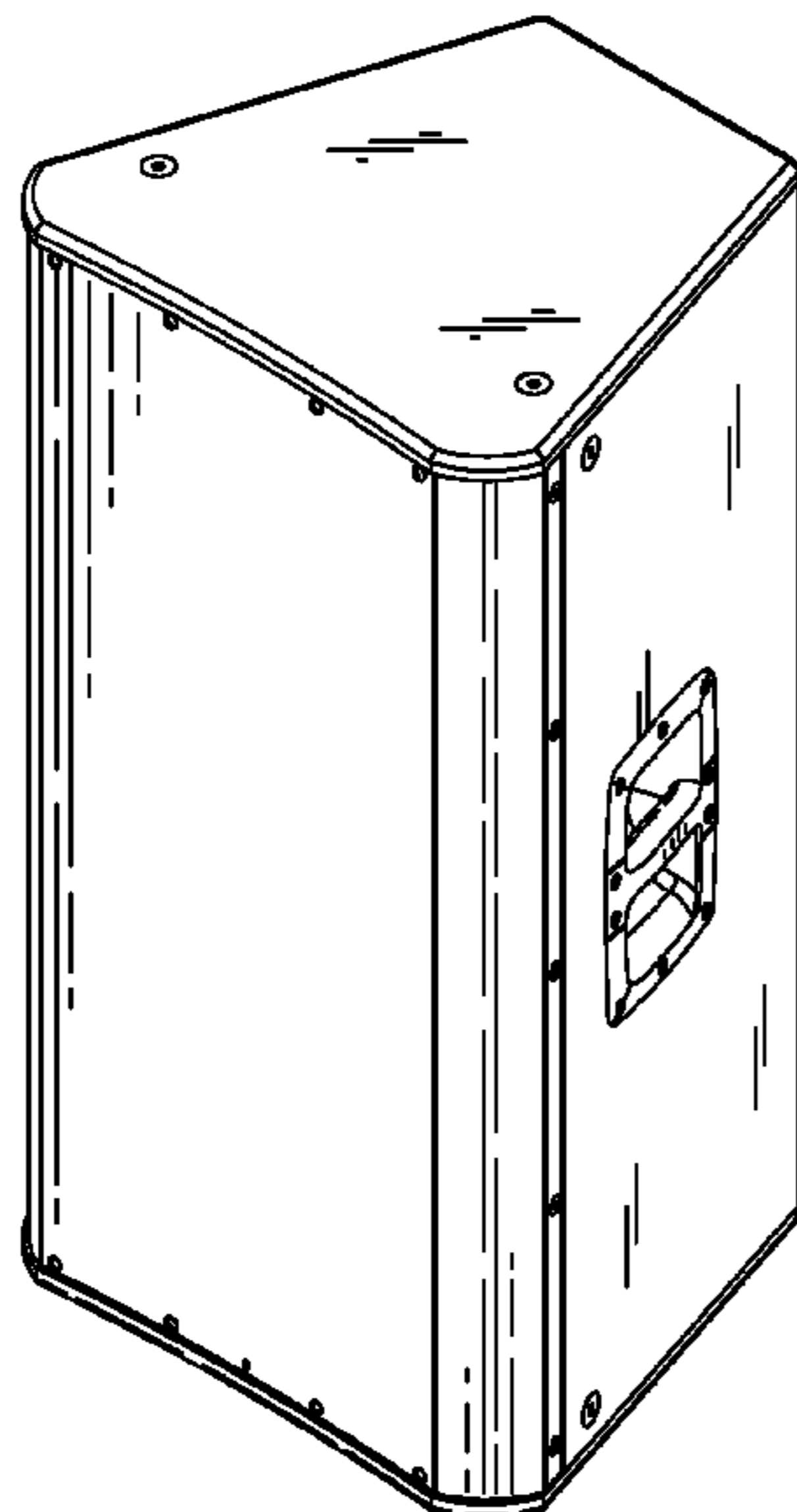
FIG. 11 is a rear view of the loudspeaker of FIG. 8;

FIG. 12 is an opposite side view of the loudspeaker of FIG. 8;

FIG. 13 is a top view of the loudspeaker of FIG. 8; and,

FIG. 14 is a bottom view of the loudspeaker of FIG. 8.

1 Claim, 6 Drawing Sheets



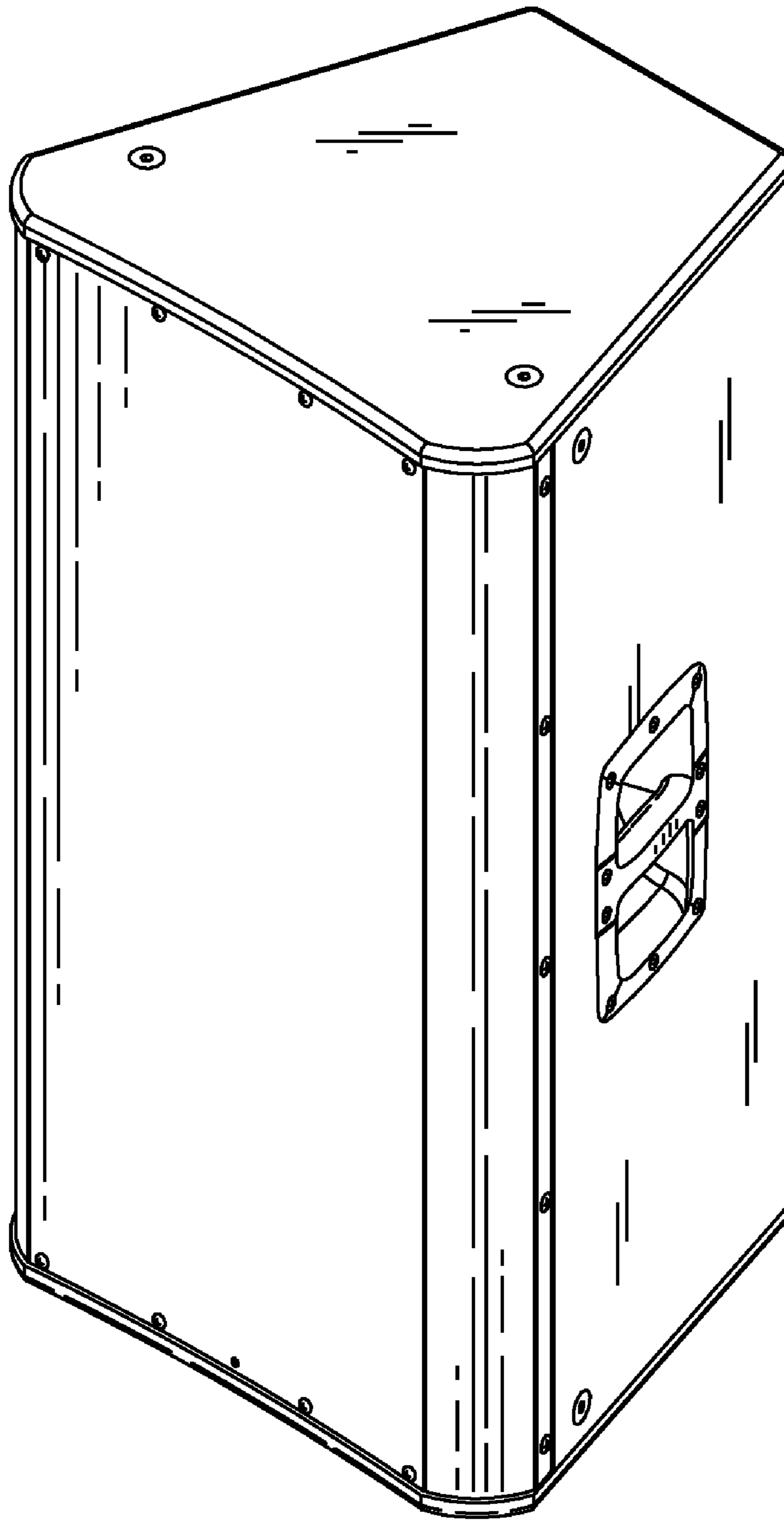


Fig. 1

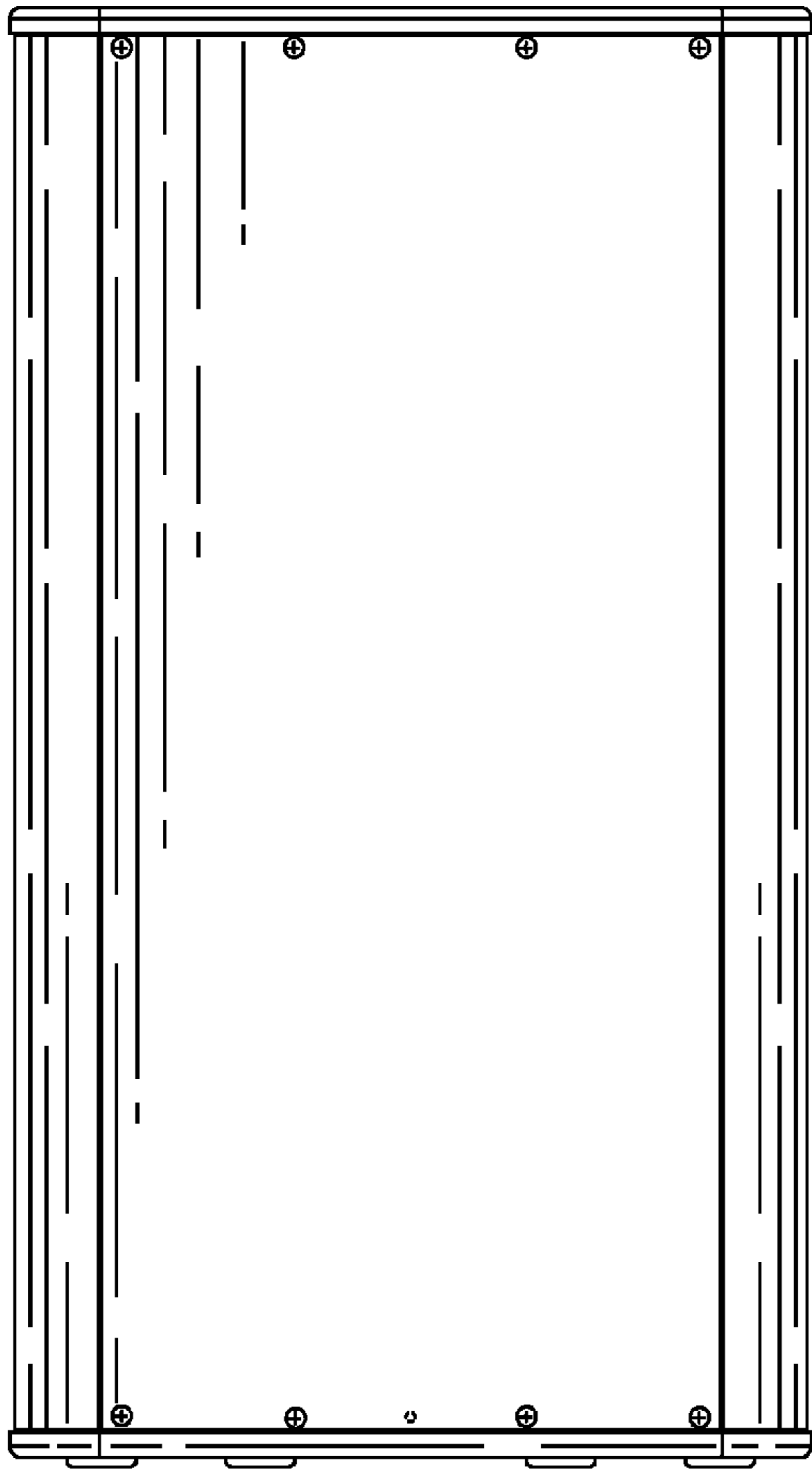


Fig. 2

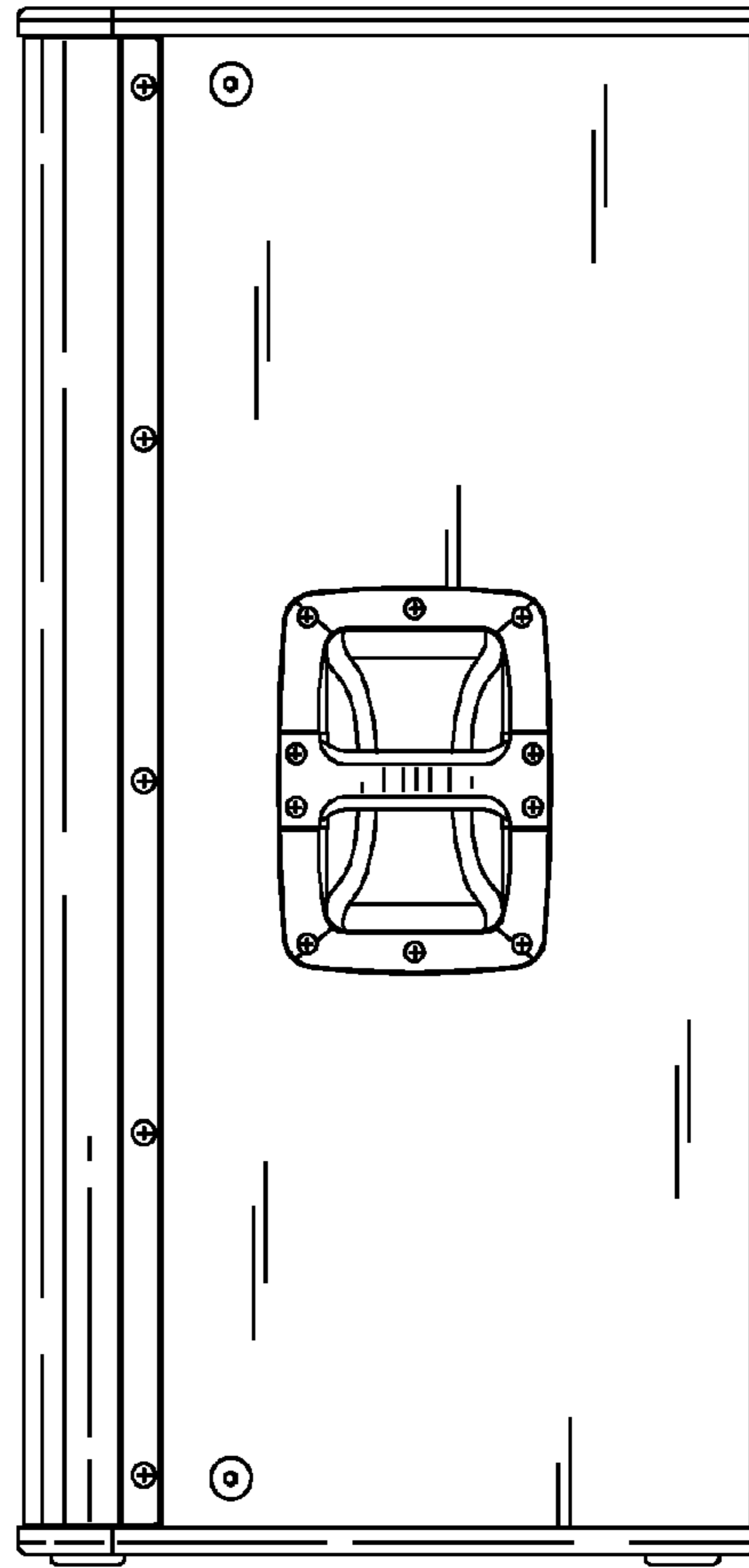


Fig. 3

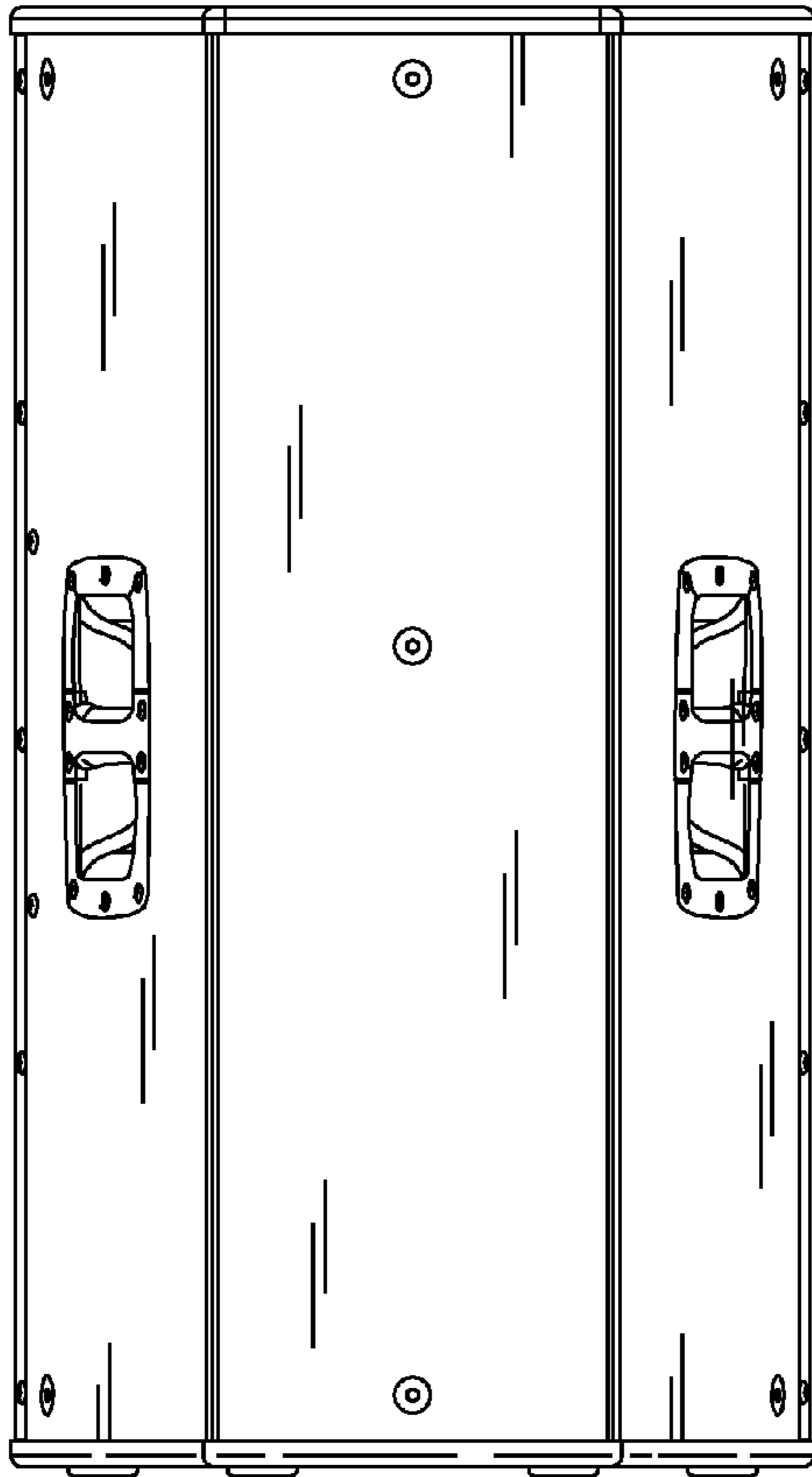


Fig. 4

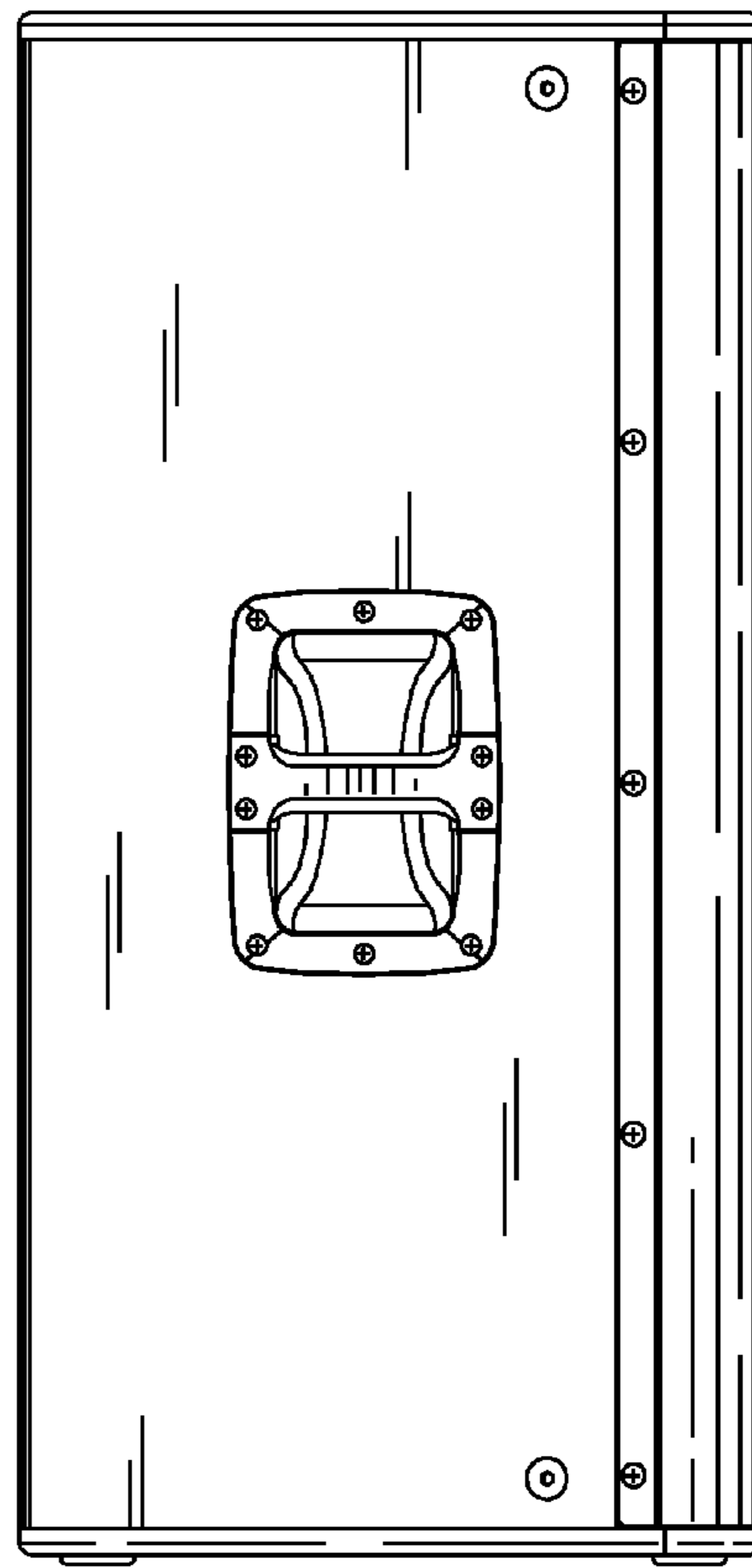


Fig. 5

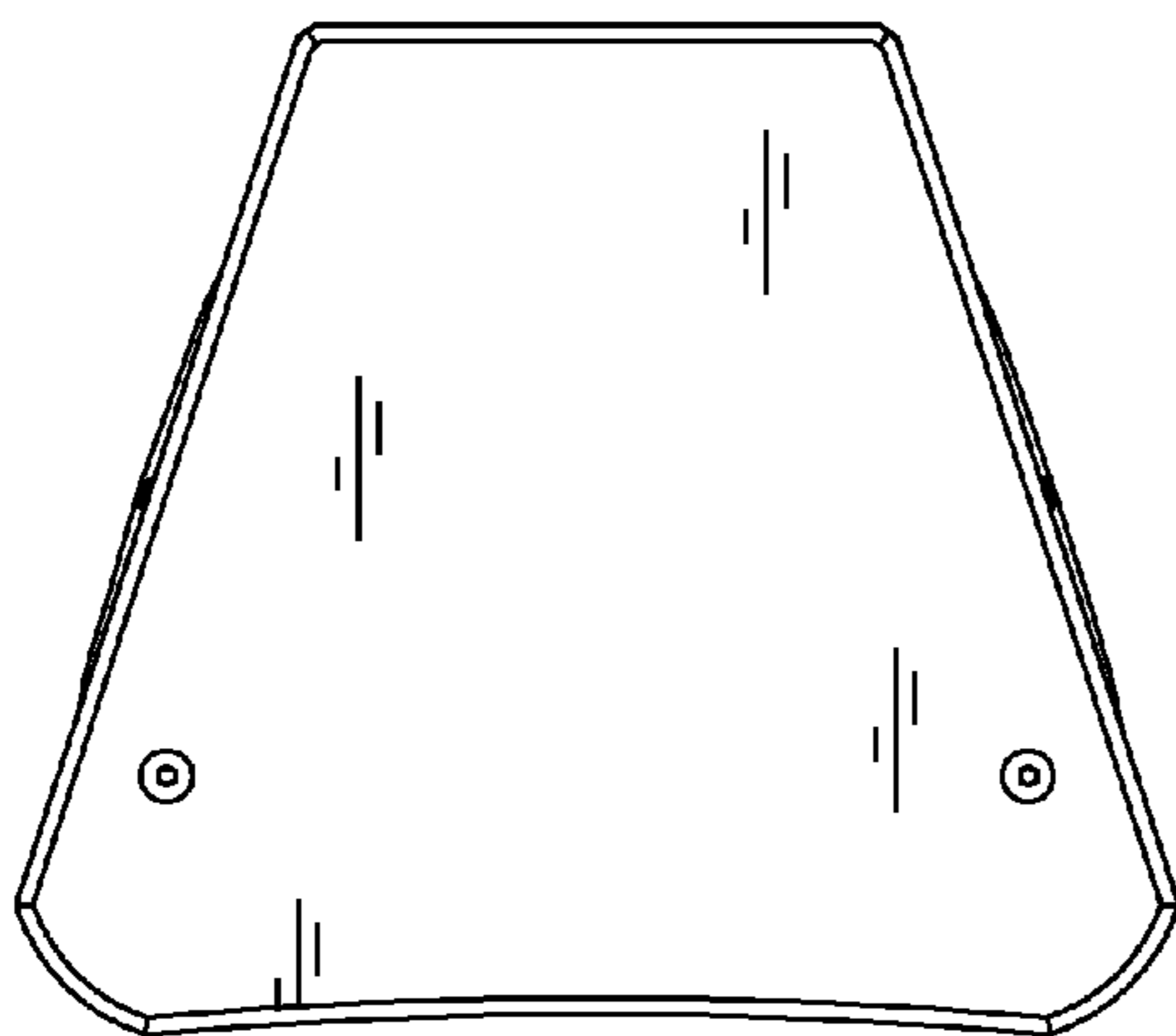


Fig. 6

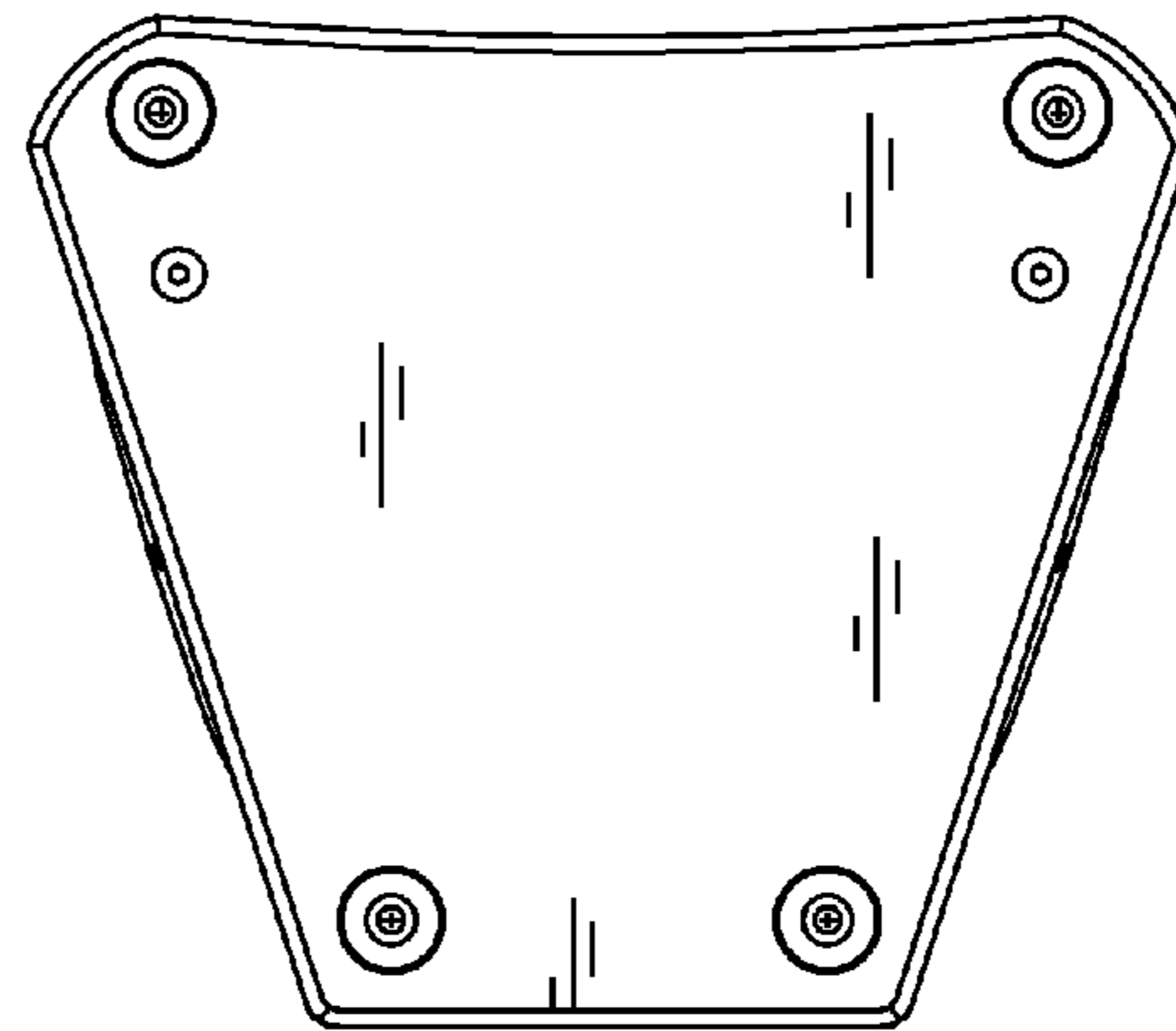


Fig. 7

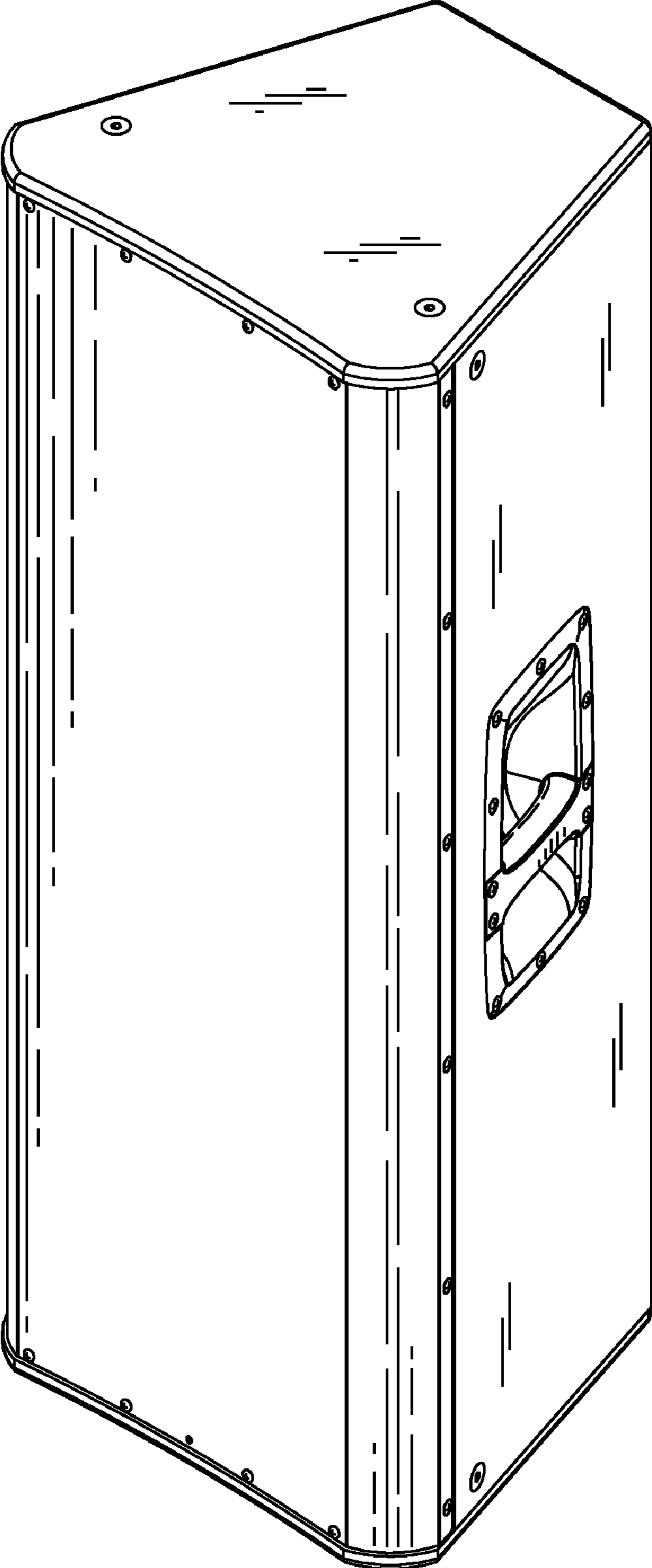


Fig. 8

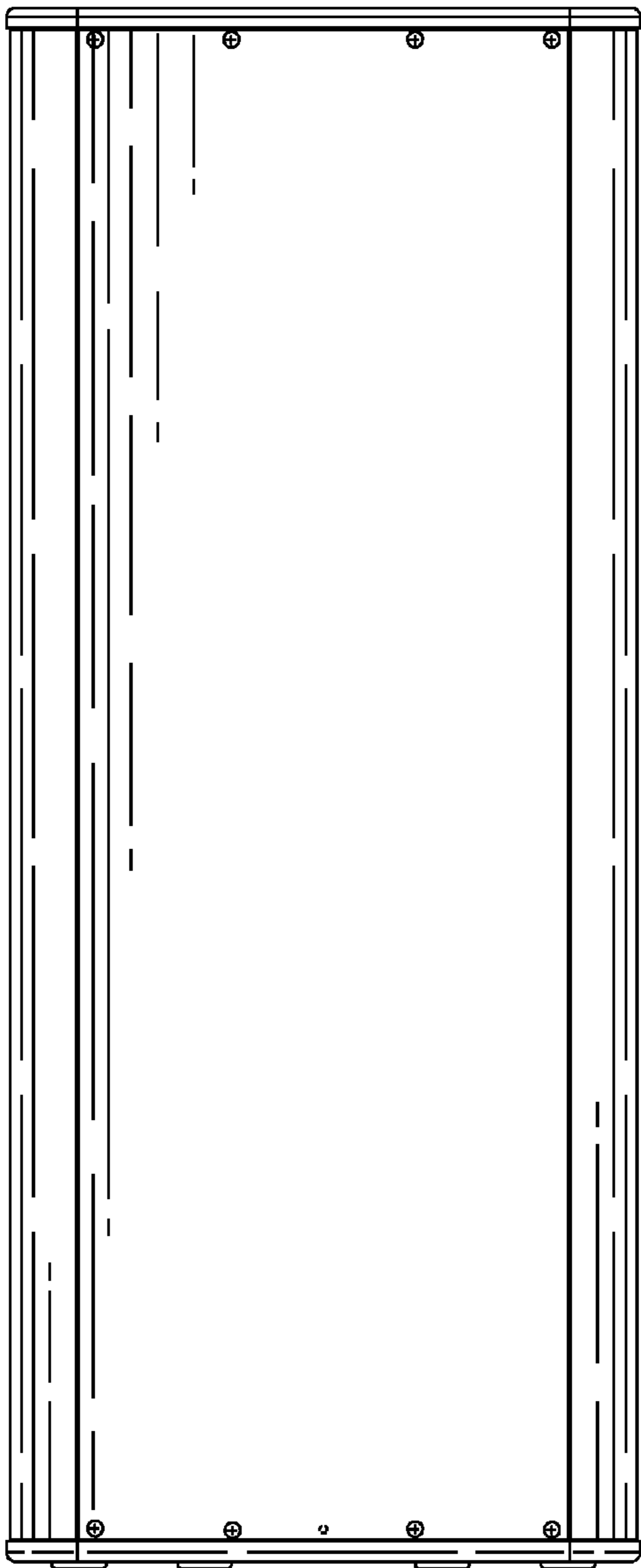


Fig. 9

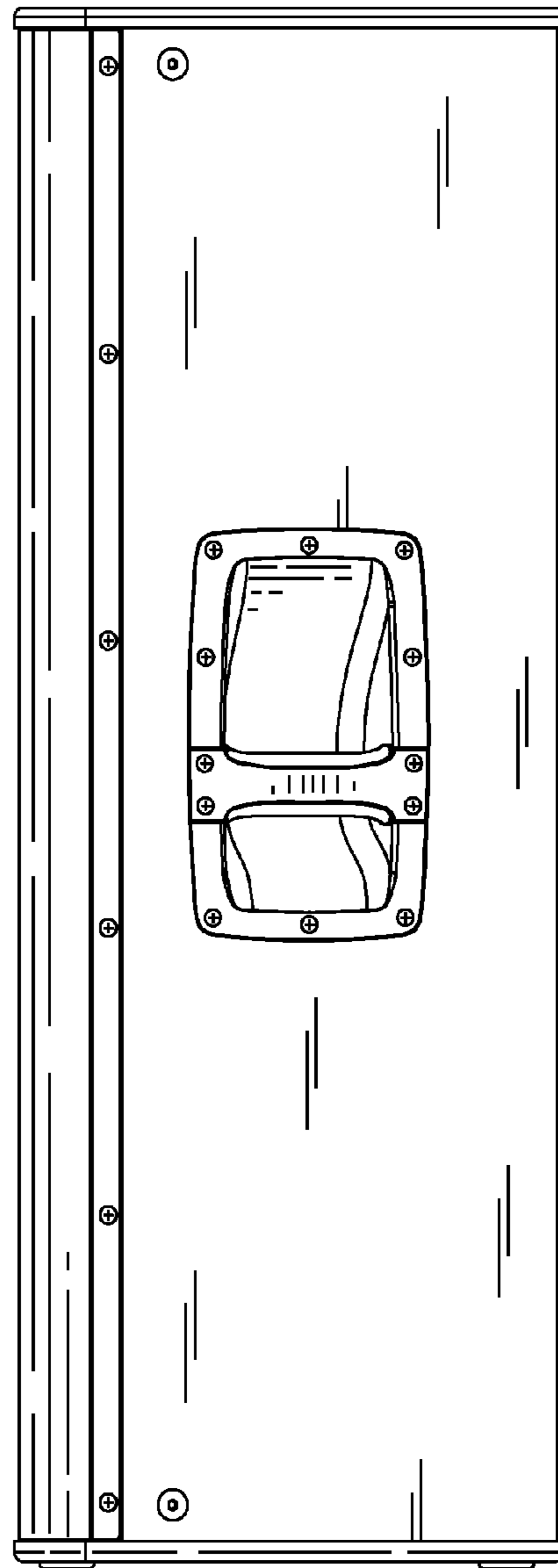


Fig. 10

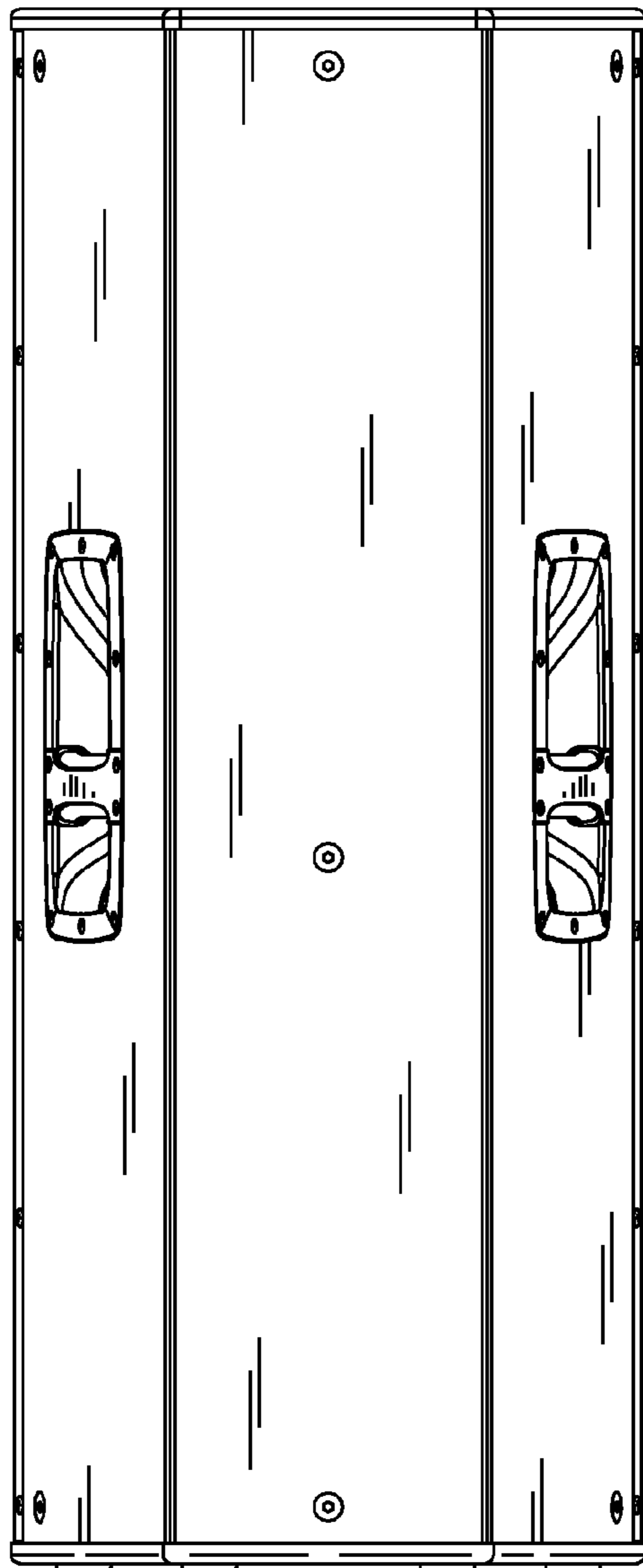


Fig. 11

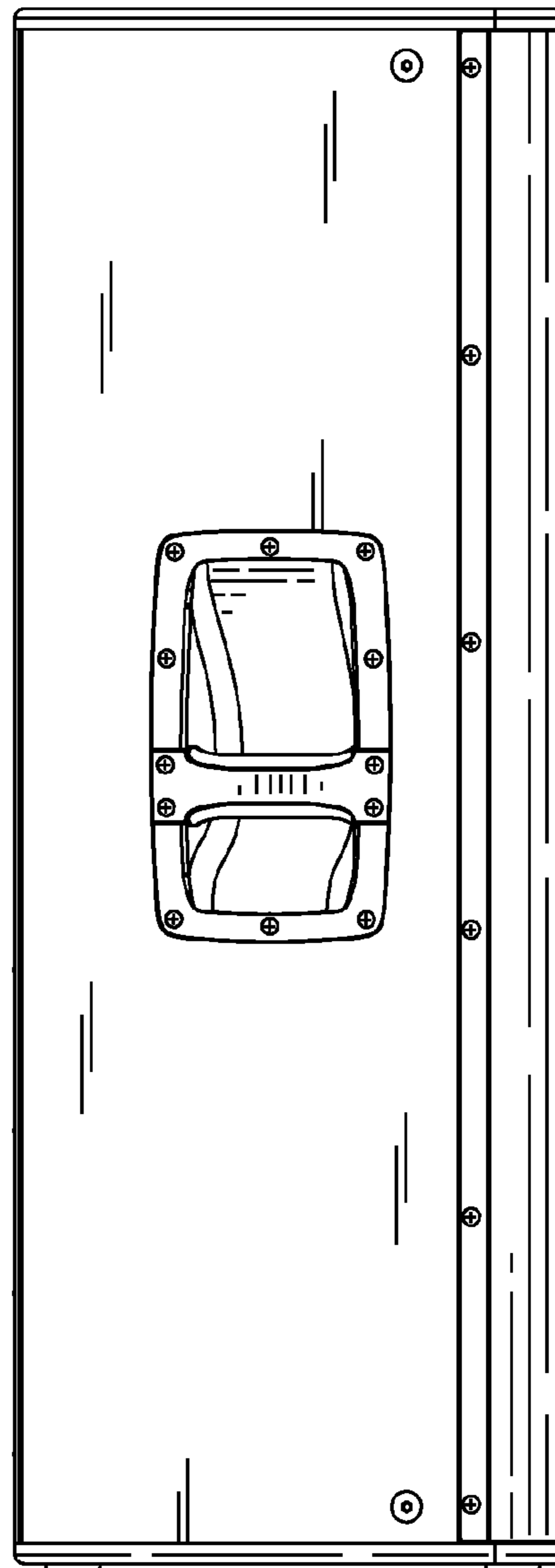


Fig. 12

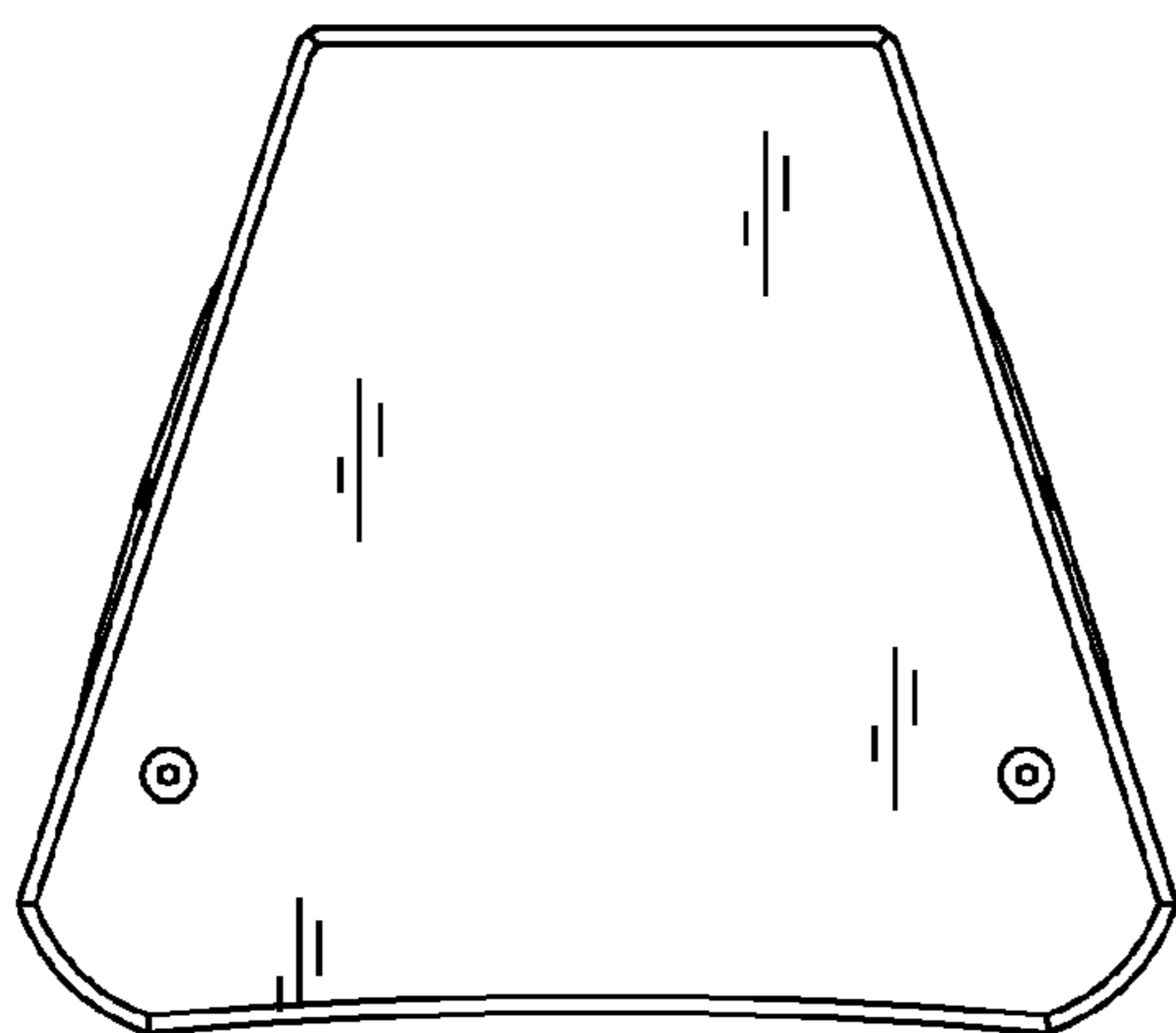


Fig. 13

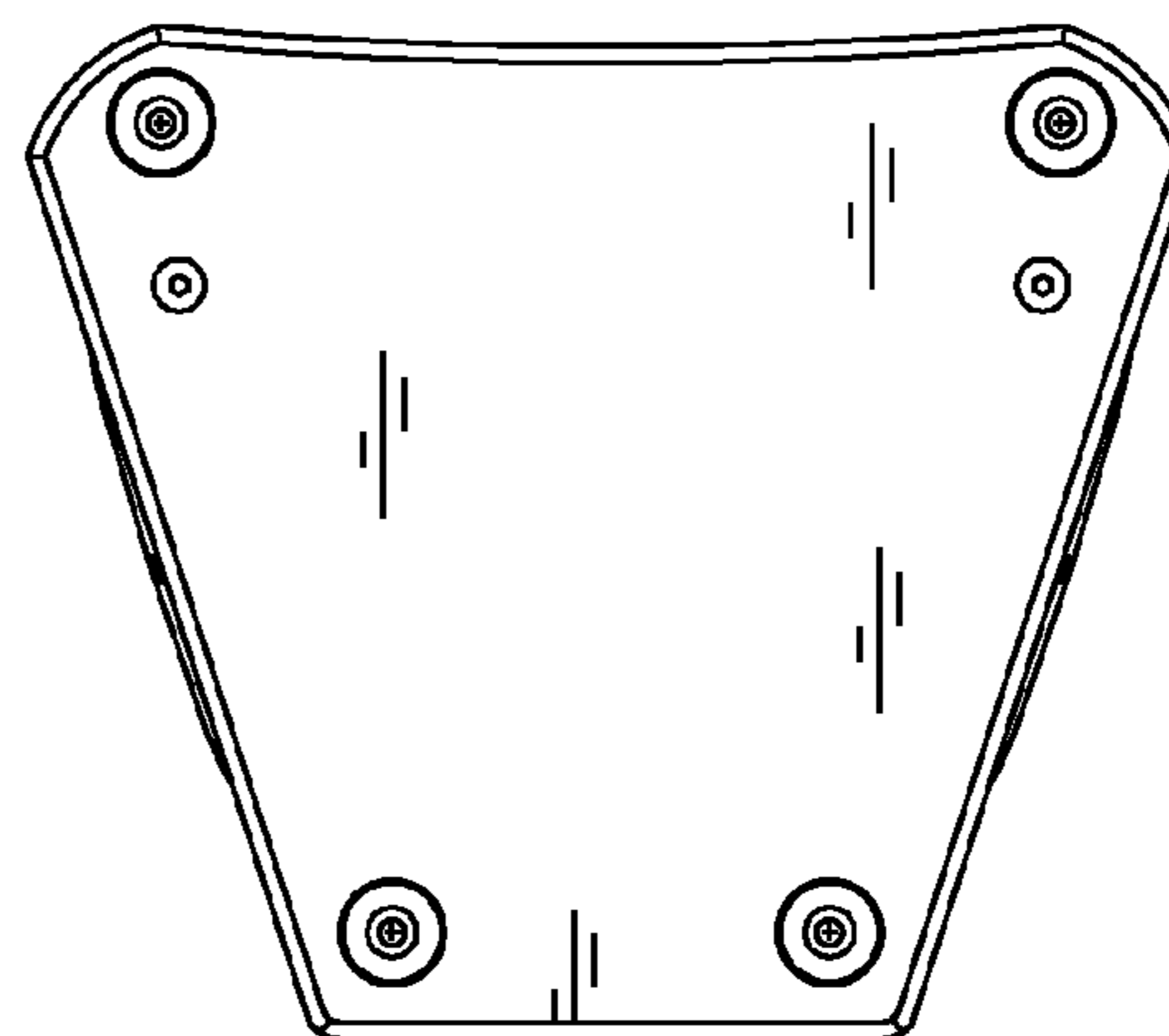


Fig. 14