



US00D642553S

(12) **United States Design Patent**
Nathan et al.

(10) **Patent No.:** **US D642,553 S**
(45) **Date of Patent:** **** Aug. 2, 2011**

- (54) **SPEAKER PANEL FOR JUKEBOX**
- (75) Inventors: **Guy Nathan**, Verdun (CA); **Eric Ferry**, Laval (CA)
- (73) Assignee: **TouchTones Music Corporation**, New York, NY (US)
- (**) Term: **14 Years**
- (21) Appl. No.: **29/371,159**
- (22) Filed: **Nov. 2, 2010**

4,336,935	A	6/1982	Goldfarb	
D316,858	S	*	5/1991	Gobindram D14/143
D324,240	S		2/1992	Huang
D328,202	S	*	7/1992	Tippit D6/434
D340,407	S	*	10/1993	Rahe et al. D9/665
5,630,357	A		5/1997	Akiyama
5,651,681	A	*	7/1997	Chan 434/308
5,771,778	A		6/1998	MacLean, IV
6,048,271	A	*	4/2000	Barcelou 463/48
6,079,985	A	*	6/2000	Wohl et al. 434/319
6,086,380	A		7/2000	Chu et al.
6,346,951	B1		2/2002	Mastronardi
6,708,812	B2		3/2004	Greim
6,714,489	B2		3/2004	Kalis et al.
D494,188	S		8/2004	Huang
6,779,904	B1		8/2004	Van Dyk
D498,558	S		11/2004	Kwok
7,152,739	B1		12/2006	Burleson

Related U.S. Application Data

- (62) Division of application No. 29/347,706, filed on Apr. 15, 2010, now Pat. No. Des. 629,382, which is a division of application No. 29/300,065, filed on Feb. 15, 2008, now Pat. No. Des. 616,414.

- (51) **LOC (9) Cl.** **14-01**
- (52) **U.S. Cl.** **D14/173; D14/496; D14/217; D14/224**
- (58) **Field of Classification Search** D14/496, D14/401, 435, 474, 483, 217, 137, 138, 160, D14/168, 356, 203.1-203.8, 507, 184, 173, D14/221, 224; 345/156, 169, 173-179, 905; 715/727-729, 864; 710/1, 5, 8; 713/1, 600; 455/1.1, 1.7, 73, 344-347, 93, 95, 3.01-3.06, 455/550.1, 573.1; 370/342-344; 369/1, 369/2, 6-12; 463/43-47; 273/148 B
See application file for complete search history.

(56) **References Cited**

U.S. PATENT DOCUMENTS

- D146,175 S * 1/1947 Fuller D14/173
- D146,176 S 1/1947 Fuller

* cited by examiner

Primary Examiner — Prabhakar Deshmukh

(74) *Attorney, Agent, or Firm* — Nixon & Vanderhye P.C.

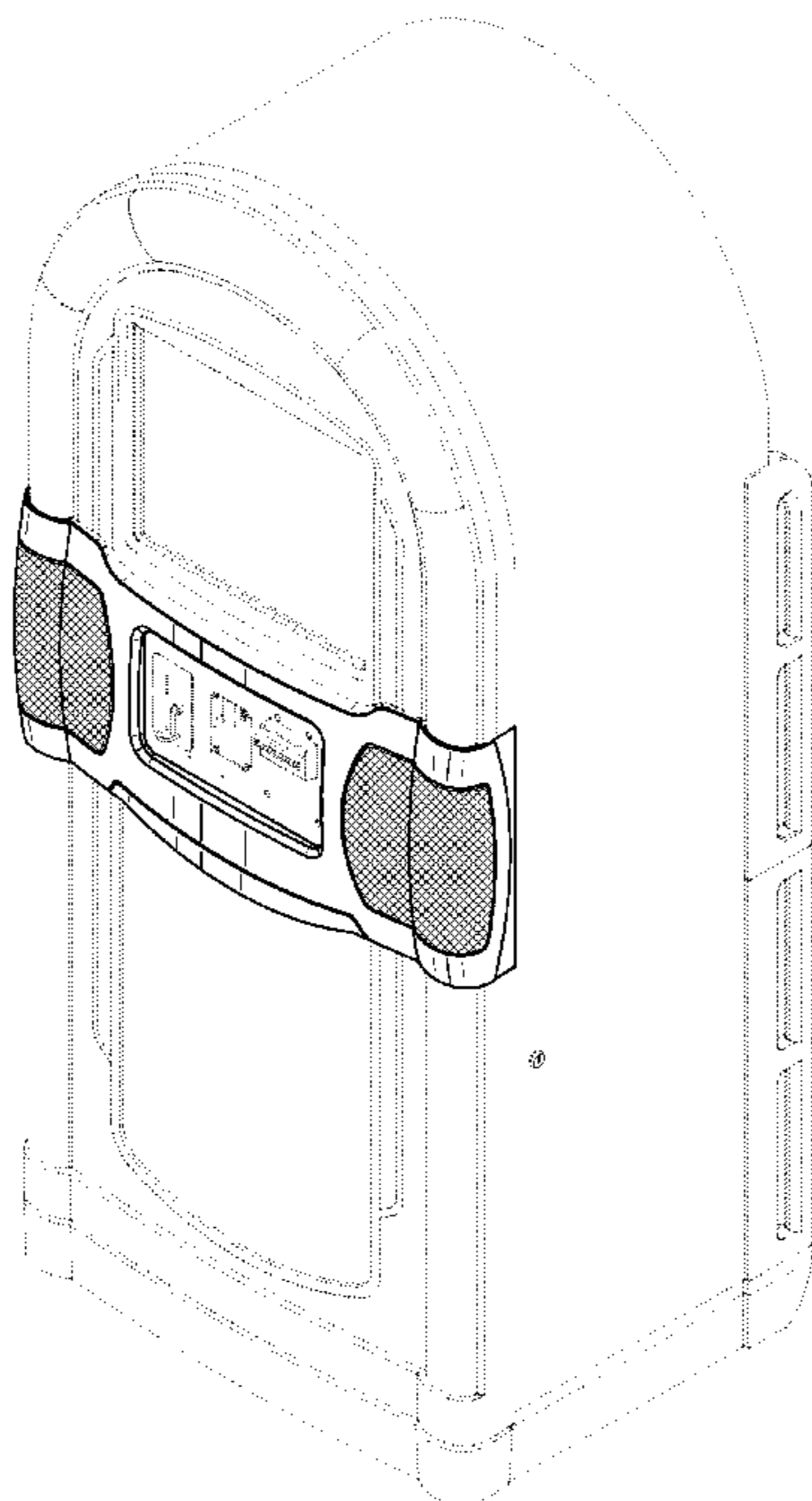
(57) **CLAIM**

The ornamental design for a speaker panel for a jukebox, as shown and described.

DESCRIPTION

FIG. 1 is a perspective view of a speaker panel for jukebox showing our new design;
 FIG. 2 is a front elevational view thereof; and,
 FIG. 3 is a right side elevational view thereof, the left side elevational view being a mirror image thereof.
 The dashed lines shown in FIGS. 1-3 represent environmental structure and form no part of the claimed design. Some views of the jukebox portions are not shown and represent unclaimed subject matter.

1 Claim, 3 Drawing Sheets



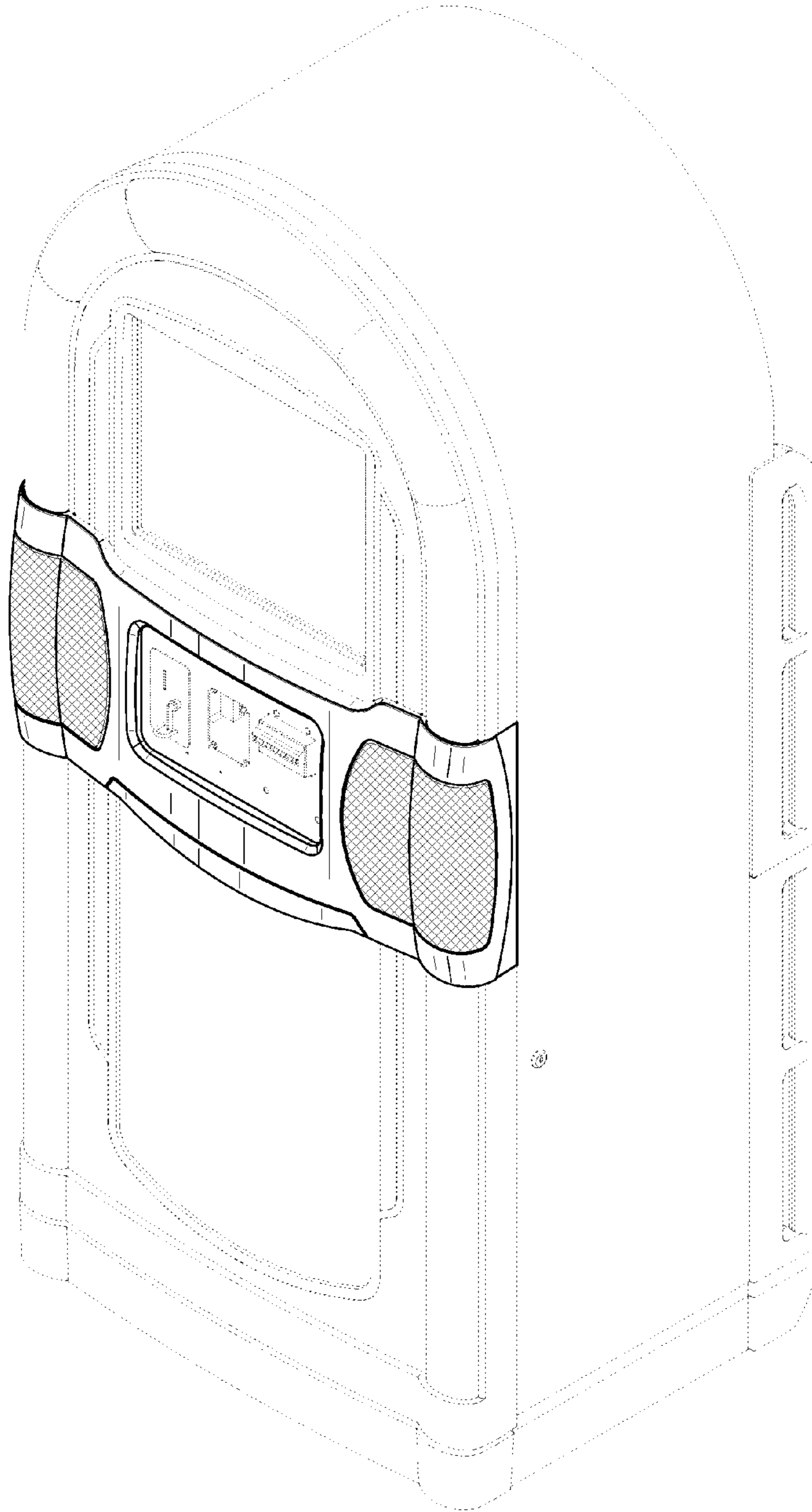


Fig. 1

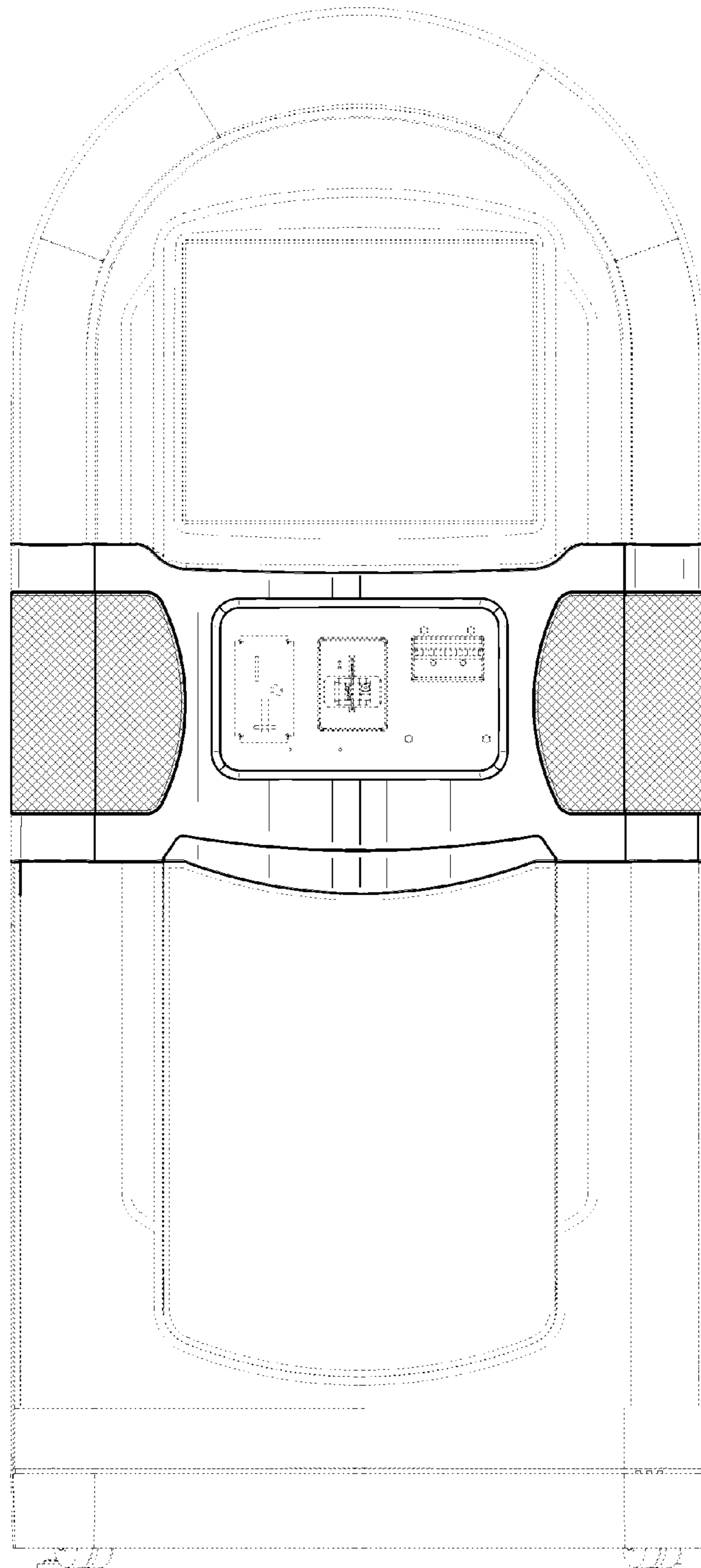


Fig. 2

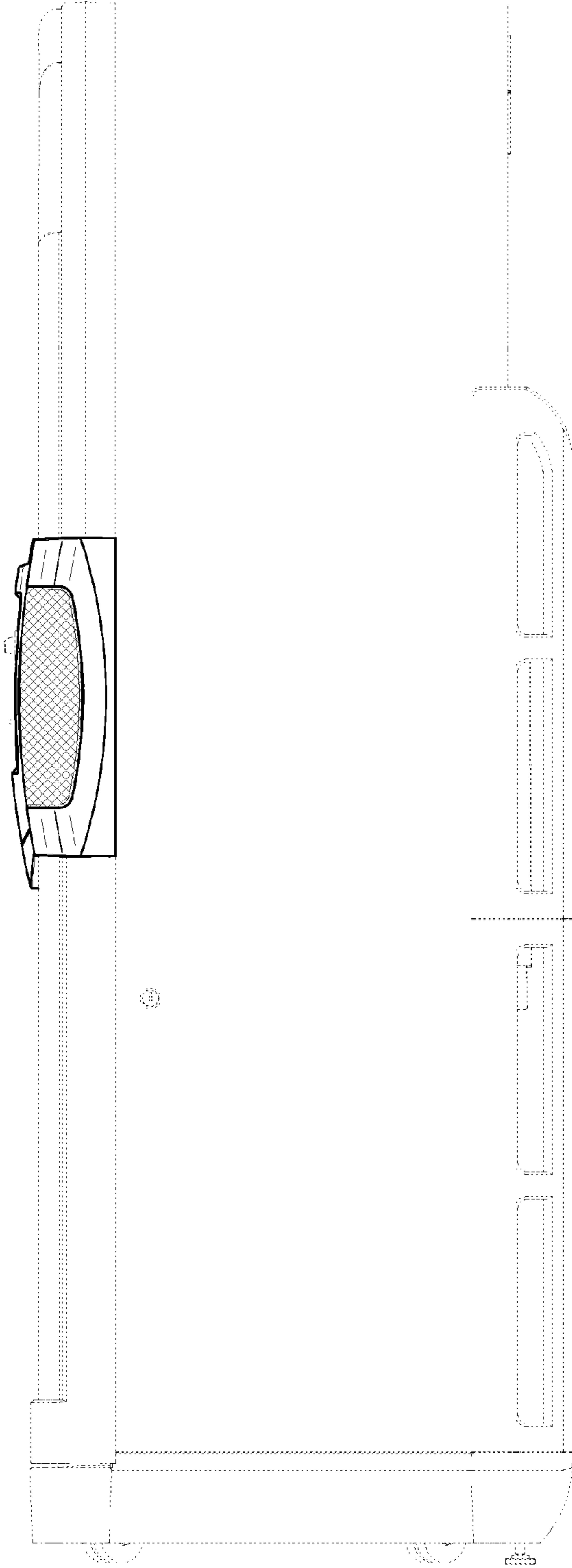


Fig. 3