



US00D642539S

(12) **United States Design Patent**
Montena et al.

(10) **Patent No.:** **US D642,539 S**

(45) **Date of Patent:** **** Aug. 2, 2011**

- (54) **WEATHER PROOFING SYSTEM**
- (75) Inventors: **Noah Montena**, Syracuse, NY (US);
Chris Natoli, Fulton, NY (US)
- (73) Assignee: **John Mezzalingua Associates, Inc.**,
East Syracuse, NY (US)
- (**) Term: **14 Years**
- (21) Appl. No.: **29/377,390**
- (22) Filed: **Oct. 20, 2010**
- (51) **LOC (9) Cl.** **13-03**
- (52) **U.S. Cl.** **D13/156; D13/154**
- (58) **Field of Classification Search** **D13/133,**
D13/153, 154, 156, 184; 174/145; 439/128,
439/271, 273-283

See application file for complete search history.

(56) **References Cited**

U.S. PATENT DOCUMENTS

2,881,406 A	4/1959	Arson	
D188,102 S *	6/1960	Yarick, Jr.	D13/133
2,946,839 A	7/1960	Horning	
D206,662 S *	1/1967	Karol	D13/156
3,390,375 A	6/1968	Salmonson	
3,528,051 A	9/1970	Toedtman et al.	
3,713,077 A	1/1973	Leonard	
3,753,192 A	8/1973	Urani	
D231,534 S	4/1974	Carder	
3,861,777 A	1/1975	Clark	
4,173,385 A	11/1979	Fenn et al.	
4,224,464 A	9/1980	Bunnell et al.	
4,283,597 A	8/1981	Cooper, Jr.	
4,325,600 A	4/1982	Nestor	
4,593,962 A	6/1986	Knorreck et al.	
4,822,293 A	4/1989	Robson	
4,998,894 A	3/1991	Gronvall	
D322,954 S	1/1992	Avramovich	
5,132,495 A	7/1992	Ewing et al.	
D331,567 S *	12/1992	Braga et al.	D13/156
5,299,951 A	4/1994	Blaetz	

5,502,280 A	3/1996	Rocci et al.	
5,564,951 A	10/1996	Attal et al.	
5,816,853 A	10/1998	Buekers et al.	
5,844,171 A	12/1998	Fitzgerald	
5,857,865 A	1/1999	Shimirak et al.	
D407,378 S *	3/1999	Lee	D13/156
6,162,087 A	12/2000	Hiura	
6,273,733 B1	8/2001	Uchiyama	
D450,297 S *	11/2001	Lee	D13/133
D456,363 S	4/2002	Lee	
D458,351 S	6/2002	Chen	
6,558,180 B2	5/2003	Nishimoto	
D496,000 S	9/2004	Cornell	
D500,475 S *	1/2005	Noro et al.	D13/133
D504,113 S	4/2005	Montena	
6,929,265 B2	8/2005	Holland et al.	
6,942,520 B2	9/2005	Barlian et al.	
D512,023 S	11/2005	Bachmann	
7,001,202 B2	2/2006	Robbins	
7,179,100 B2	2/2007	Montena	

(Continued)

Primary Examiner — Daniel Bui

(74) *Attorney, Agent, or Firm* — Stephen R. Yoder, Esq.

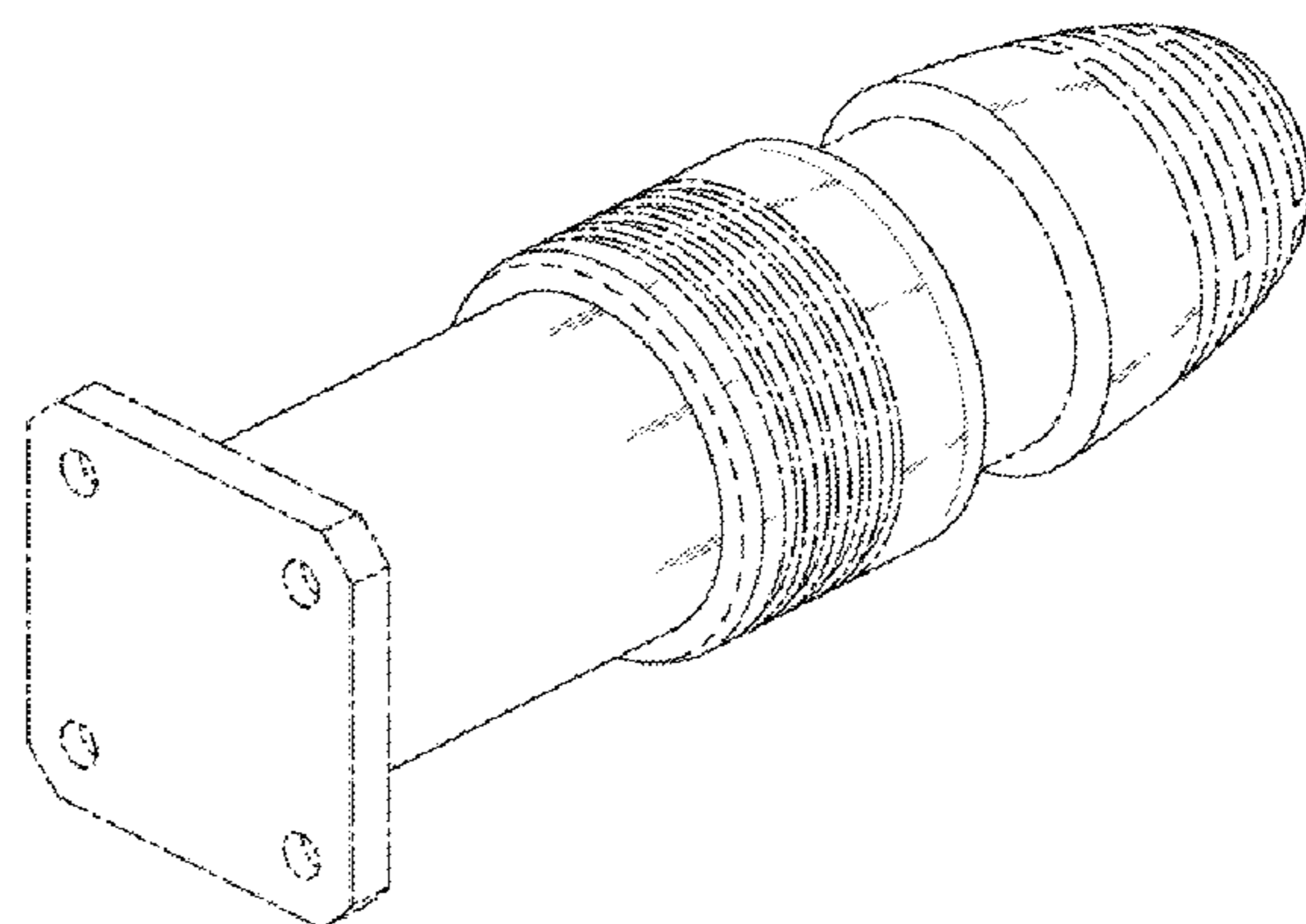
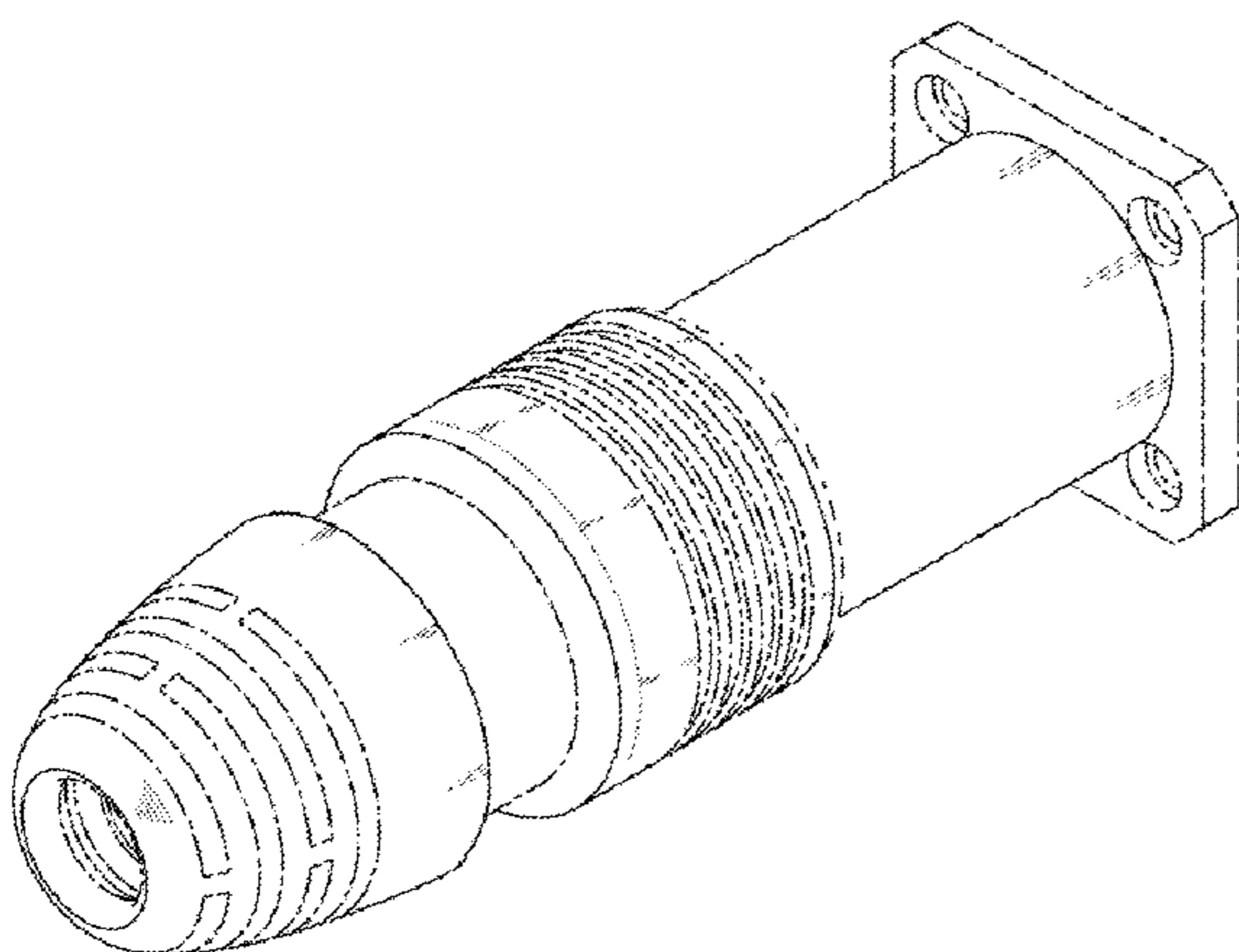
(57) **CLAIM**

The ornamental design for a weather proofing system, as shown and described.

DESCRIPTION

FIG. 1 is a front perspective view of a weather proofing system showing our new design;
 FIG. 2 is a back perspective view thereof;
 FIG. 3 is a top plan view thereof, the bottom plan view being a mirror image thereto;
 FIG. 4 is a right side elevation view thereof, the left side elevation views being a mirror image thereto;
 FIG. 5 is a front elevation view thereof; and,
 FIG. 6 is a back elevation view thereof.
 The broken line portion of the figure drawings is included for the purpose of illustrating environment and forms no part of the claimed design.

1 Claim, 4 Drawing Sheets



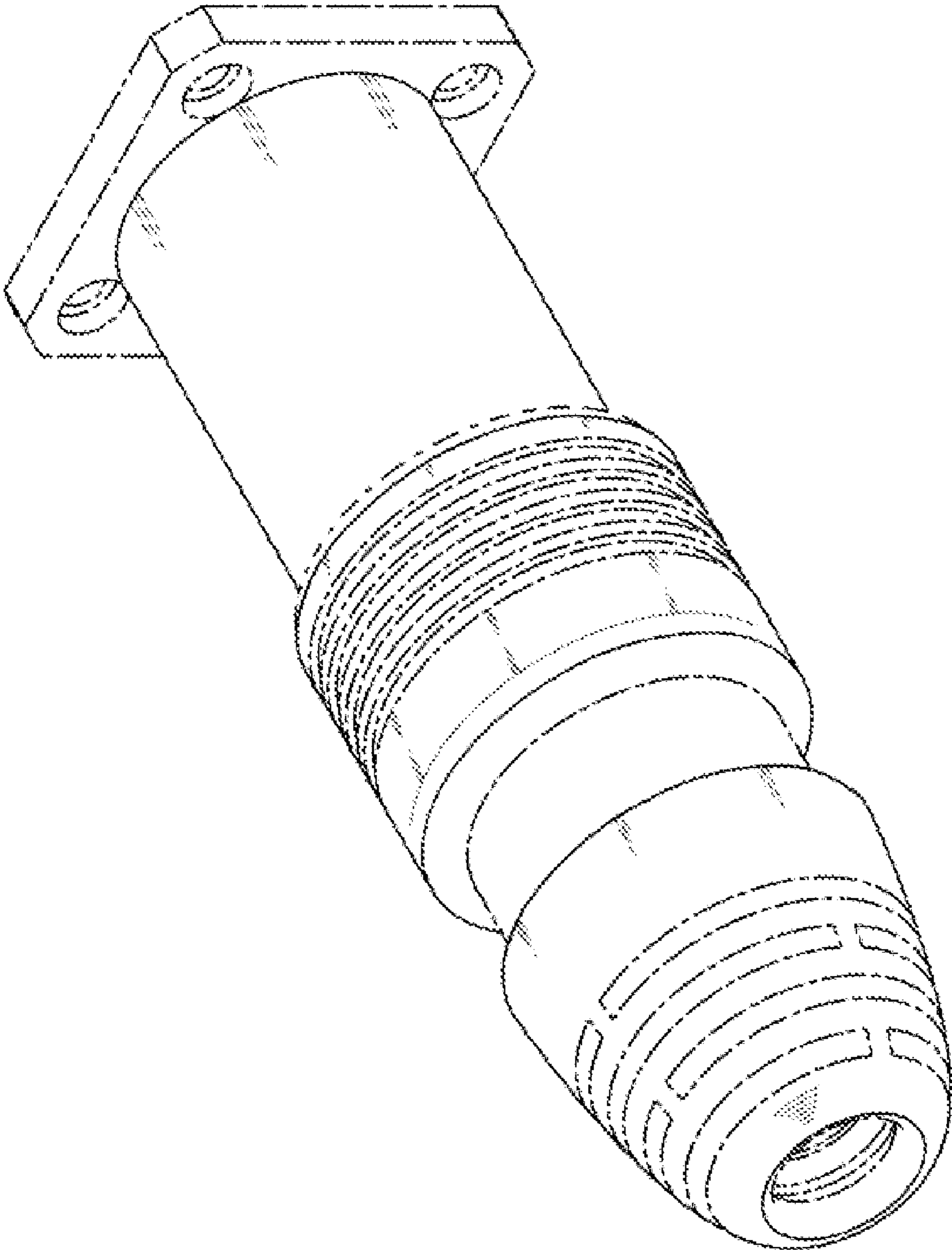


FIG. 1

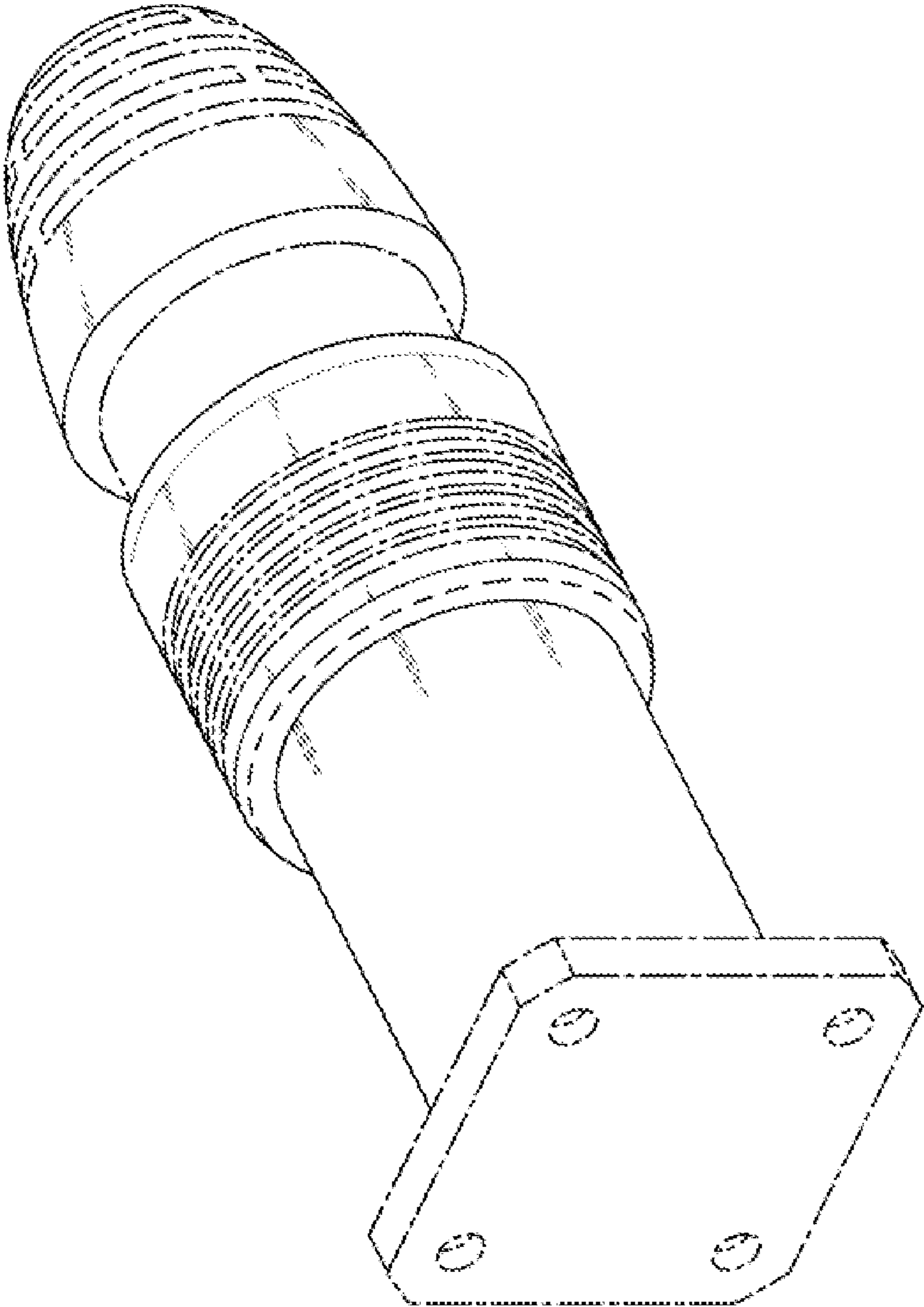


FIG. 2

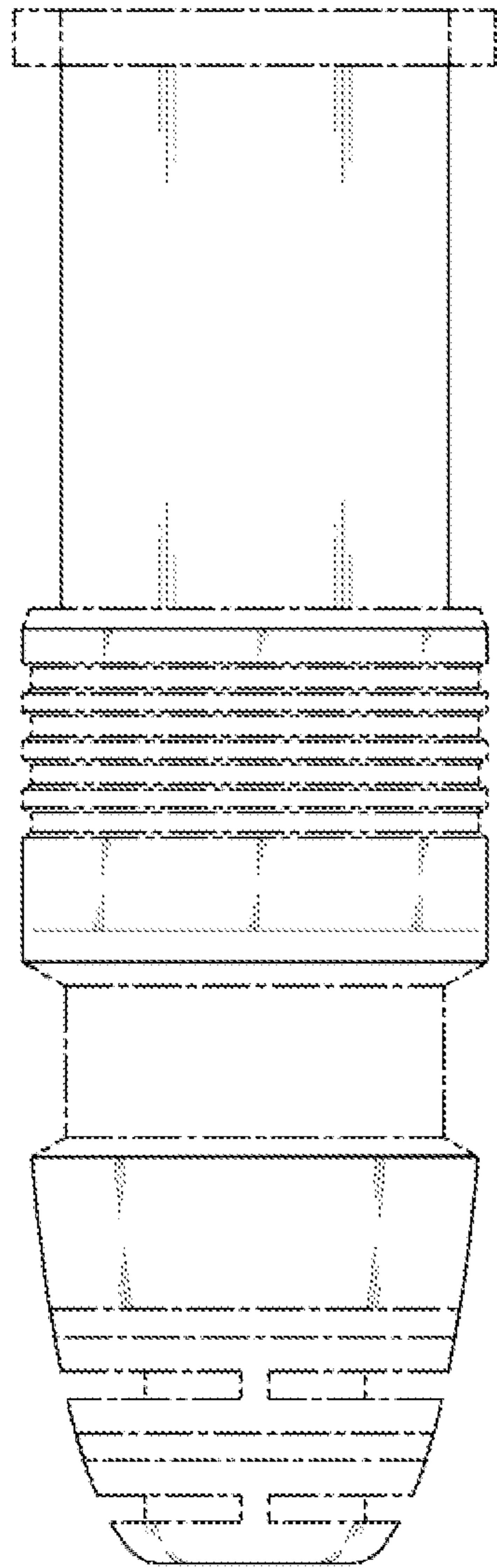


FIG. 3

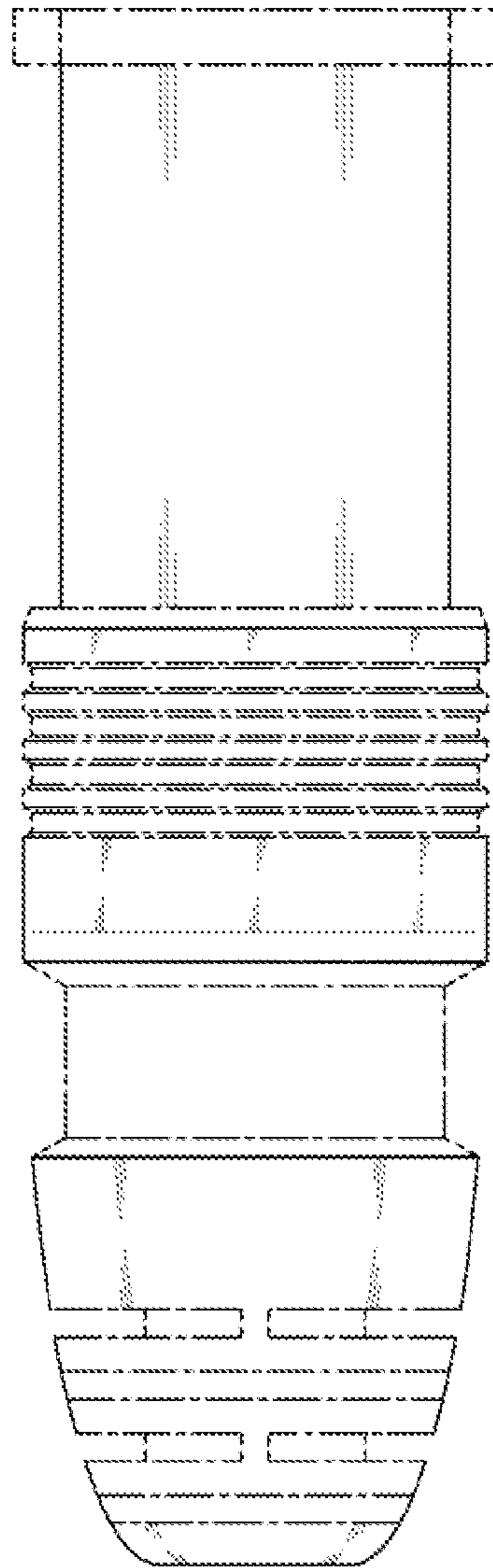


FIG. 4

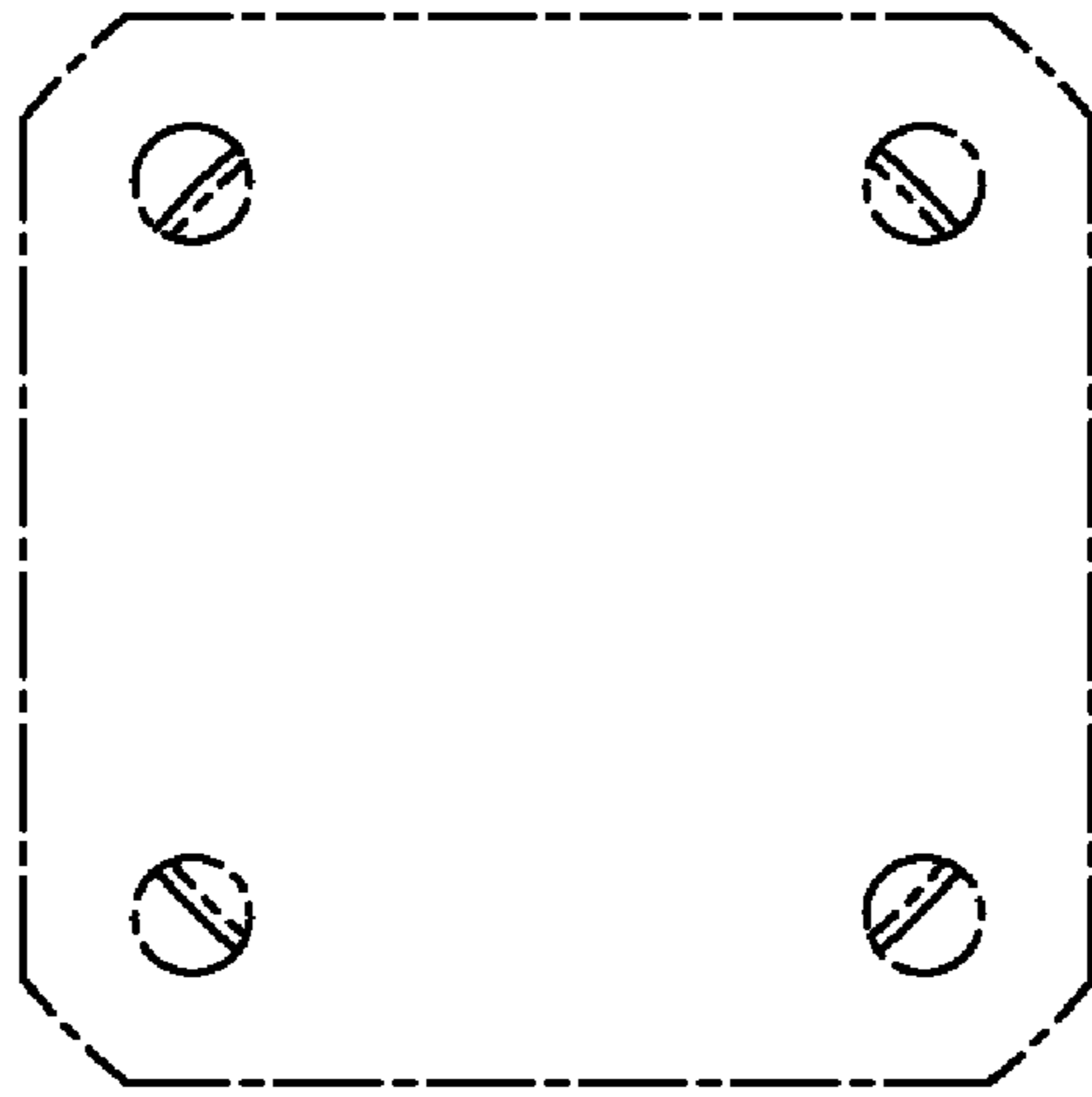


FIG. 5

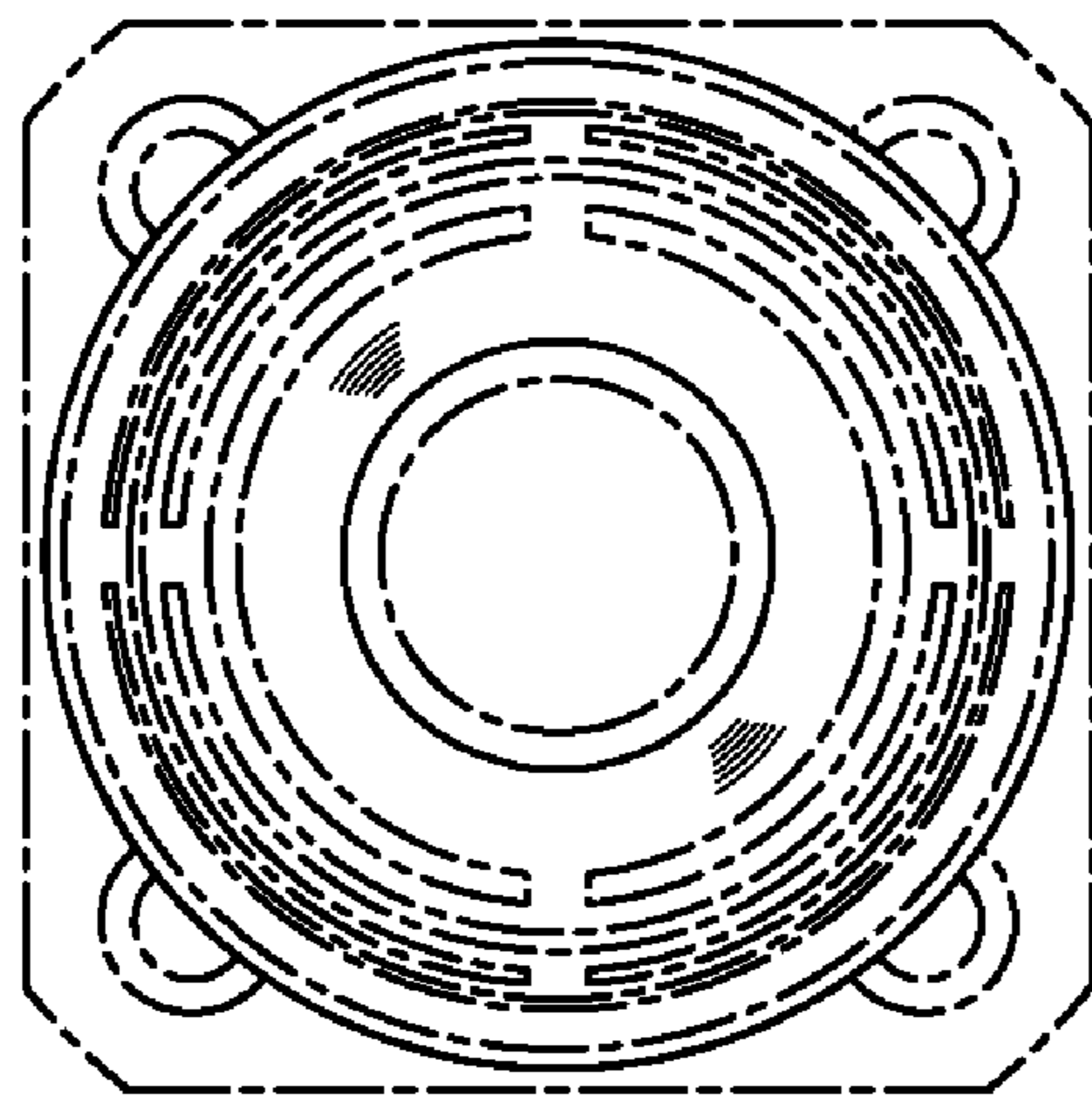


FIG. 6