



US00D642538S

(12) **United States Design Patent**
Montena et al.

(10) **Patent No.:** **US D642,538 S**

(45) **Date of Patent:** **** Aug. 2, 2011**

- (54) **SEALING BOOT SPLICE ADAPTER**
- (75) Inventors: **Noah Montena**, Syracuse, NY (US);
Chris Natoli, Fulton, NY (US)
- (73) Assignee: **John Mezzalingua Associates, Inc.**,
East Syracuse, NY (US)
- (**) Term: **14 Years**
- (21) Appl. No.: **29/376,585**
- (22) Filed: **Oct. 8, 2010**

Related U.S. Application Data

- (63) Continuation of application No. 12/760,134, filed on
Apr. 14, 2010.
- (51) **LOC (9) Cl.** **13-03**
- (52) **U.S. Cl.** **D13/156**
- (58) **Field of Classification Search** D13/133,
D13/153, 154, 156, 184; 174/145; 439/128,
439/271, 273-283
See application file for complete search history.

(56) **References Cited**

U.S. PATENT DOCUMENTS

2,881,406 A	4/1959	Arson	
D188,102 S *	6/1960	Yarick, Jr.	D13/133
2,946,839 A	7/1960	Horning	
D206,662 S *	1/1967	Karol	D13/156
3,390,375 A	6/1968	Salmonson	
3,528,051 A	9/1970	Toedtman et al.	
3,713,077 A	1/1973	Leonard	
3,753,192 A	8/1973	Urani	
D231,534 S	4/1974	Carder	
3,861,777 A	1/1975	Clark	
4,173,385 A	11/1979	Fenn et al.	
4,224,464 A	9/1980	Bunnell et al.	
4,283,597 A	8/1981	Cooper, Jr.	
4,325,600 A	4/1982	Nestor	
4,593,962 A	6/1986	Knorreck et al.	
4,822,293 A	4/1989	Robson	
4,998,894 A	3/1991	Gronvall	
D322,954 S	1/1992	Avramovich	

5,132,495 A	7/1992	Ewing et al.	
D331,567 S *	12/1992	Braga et al.	D13/156
5,299,951 A	4/1994	Blaetz	
5,502,280 A	3/1996	Rocci et al.	
5,564,951 A	10/1996	Attal et al.	
5,816,853 A	10/1998	Buekers et al.	
5,844,171 A	12/1998	Fitzgerald	
5,857,865 A	1/1999	Shimirak et al.	
D407,378 S *	3/1999	Lee	D13/156
6,162,087 A	12/2000	Hiura	
6,273,733 B1	8/2001	Uchiyama	
D456,363 S	4/2002	Lee	
D458,351 S	6/2002	Chen	
6,558,180 B2	5/2003	Nishimoto	
D496,000 S	9/2004	Cornell	
D500,475 S *	1/2005	Noro et al.	D13/133
D504,113 S	4/2005	Montena	
6,929,265 B2	8/2005	Holland et al.	

(Continued)

Primary Examiner — Daniel Bui

(74) *Attorney, Agent, or Firm* — Stephen R. Yoder, Esq.

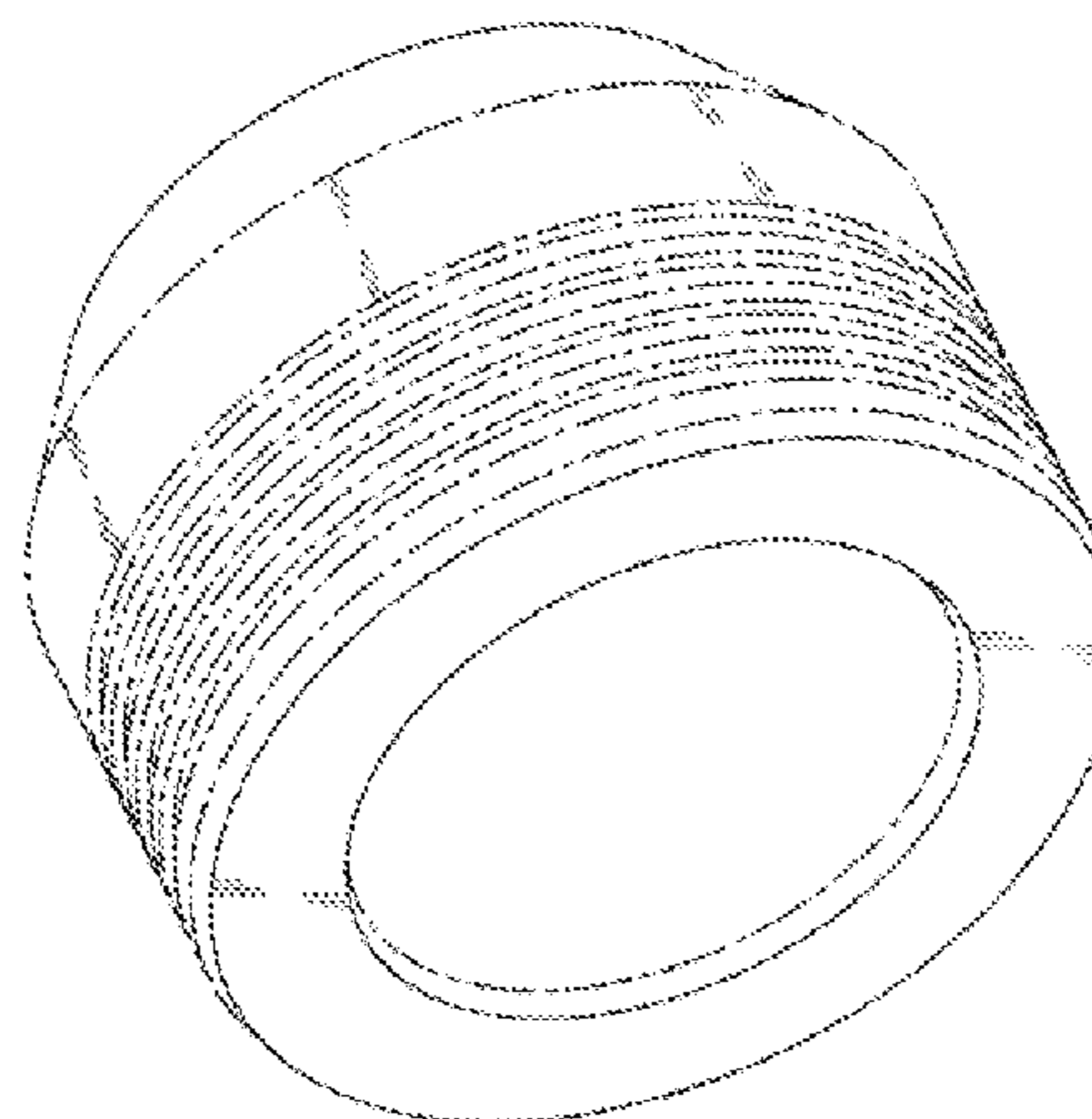
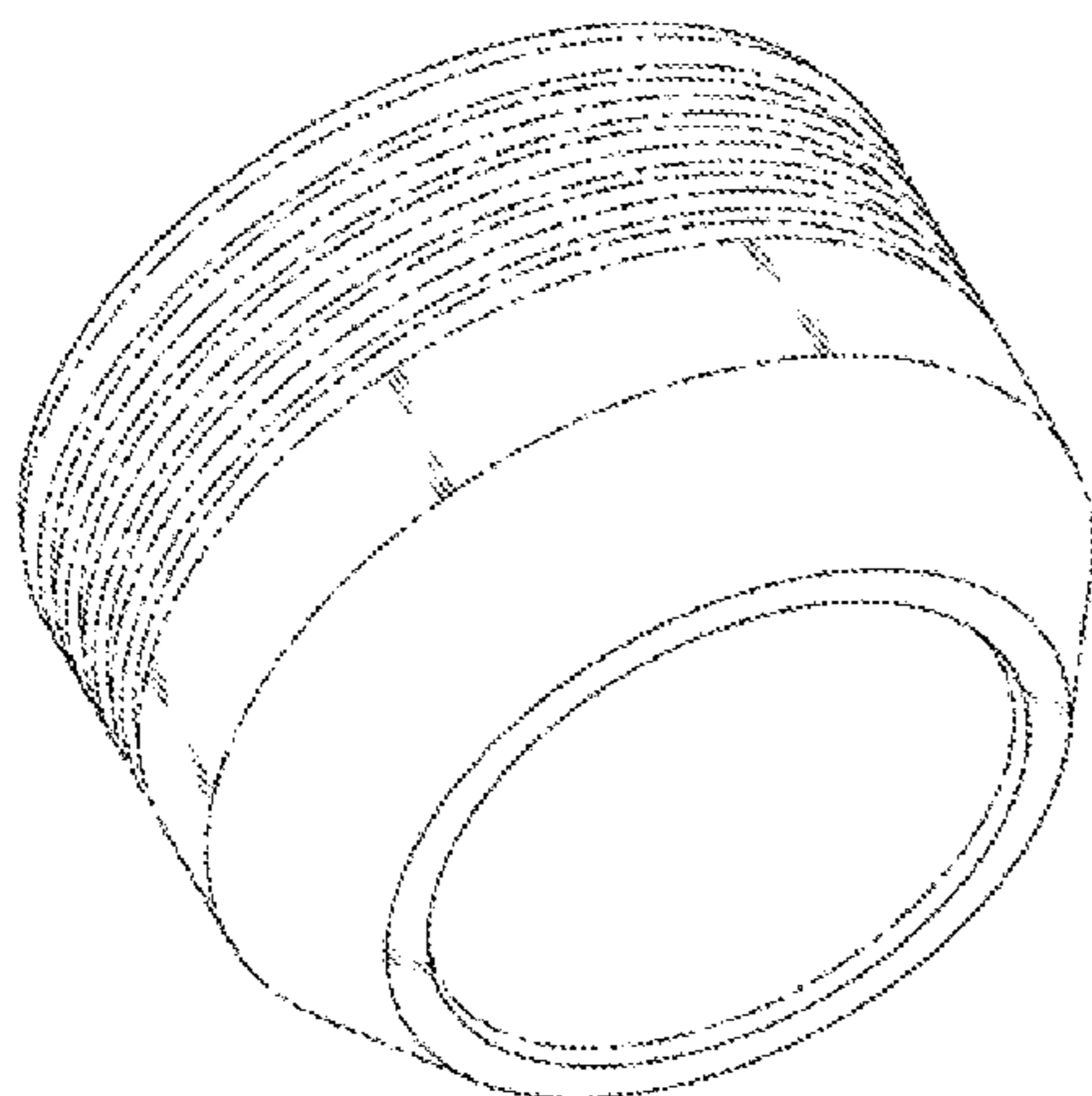
(57) **CLAIM**

The ornamental design for a sealing boot splice adapter, as shown and described.

DESCRIPTION

FIG. 1 is a front perspective view of a sealing boot splice adapter showing our new design;
 FIG. 2 is a back perspective view thereof;
 FIG. 3 is a top plan view thereof, the bottom plan view, the right and left side elevation views being a mirror image thereto;
 FIG. 4 is a front elevation view thereof;
 FIG. 5 is a back elevation view thereof;
 FIG. 6 is a back perspective view thereof, in use condition; and,
 FIG. 7 is a front perspective view thereof.
 The broken line portion of the figure drawings is included for the purpose of illustrating environment and forms no part of the claimed design.

1 Claim, 3 Drawing Sheets



US D642,538 S

Page 2

U.S. PATENT DOCUMENTS					
6,942,520	B2	9/2005	Barlian et al.	D584,228	S 1/2009 Strickland, Jr.
D512,023	S	11/2005	Bachmann	D586,757	S 2/2009 Minnick
7,001,202	B2	2/2006	Robbins	D597,947	S 8/2009 Ono
7,179,100	B2	2/2007	Montena	D601,090	S 9/2009 Vigorito et al.
7,186,127	B2	3/2007	Montena	D605,595	S 12/2009 Thomas
7,216,426	B2	5/2007	Borgstrom et al.	2006/0035508	A1 2/2006 Stekelenburg
D549,178	S	8/2007	Amidon	2006/0286862	A1 12/2006 Lubinsky et al.
7,402,063	B2	7/2008	Montena	2010/0248533	A1 9/2010 Montena
D575,744	S *	8/2008	Amidon D13/156		* cited by examiner

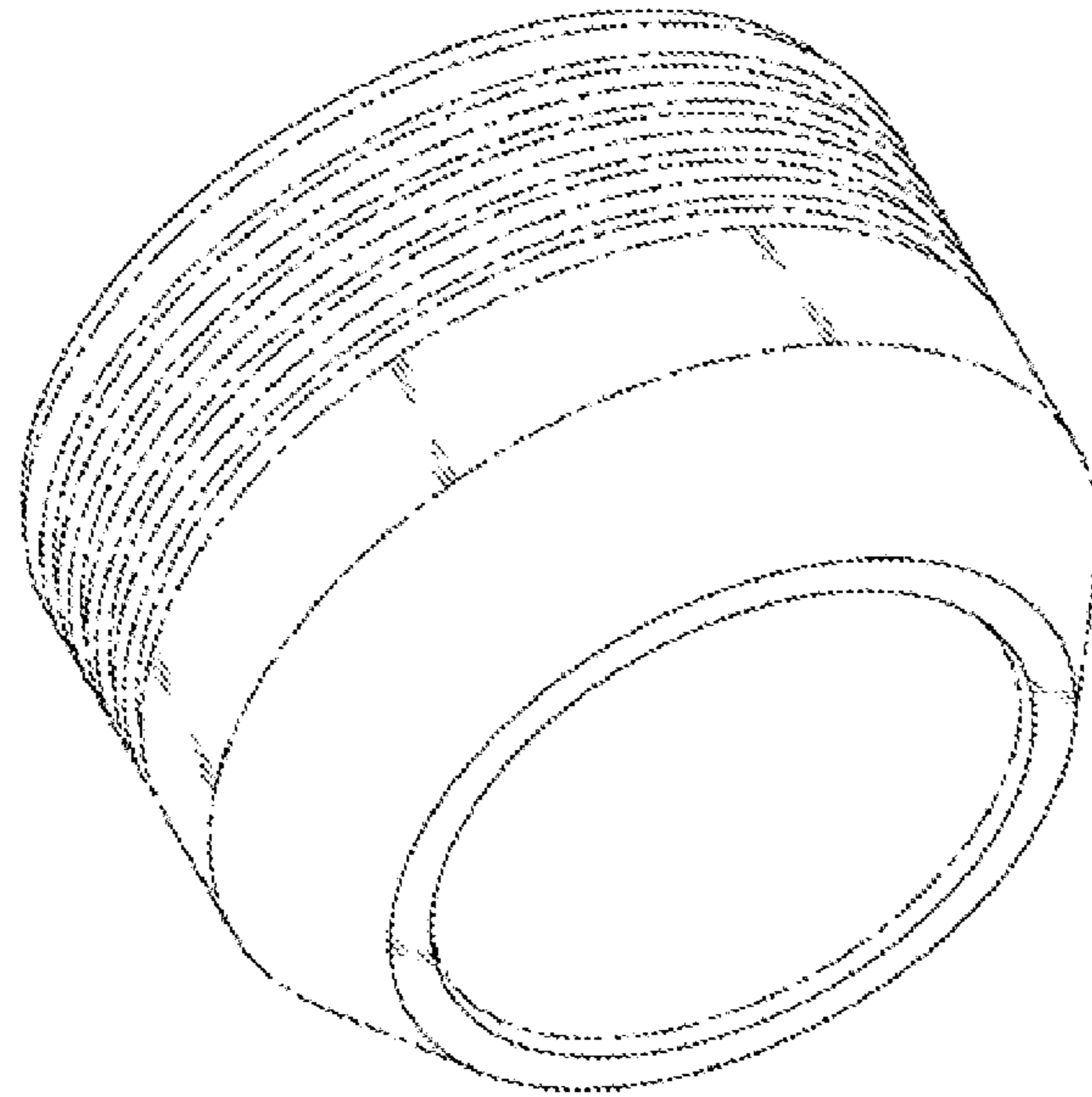


FIGURE 1

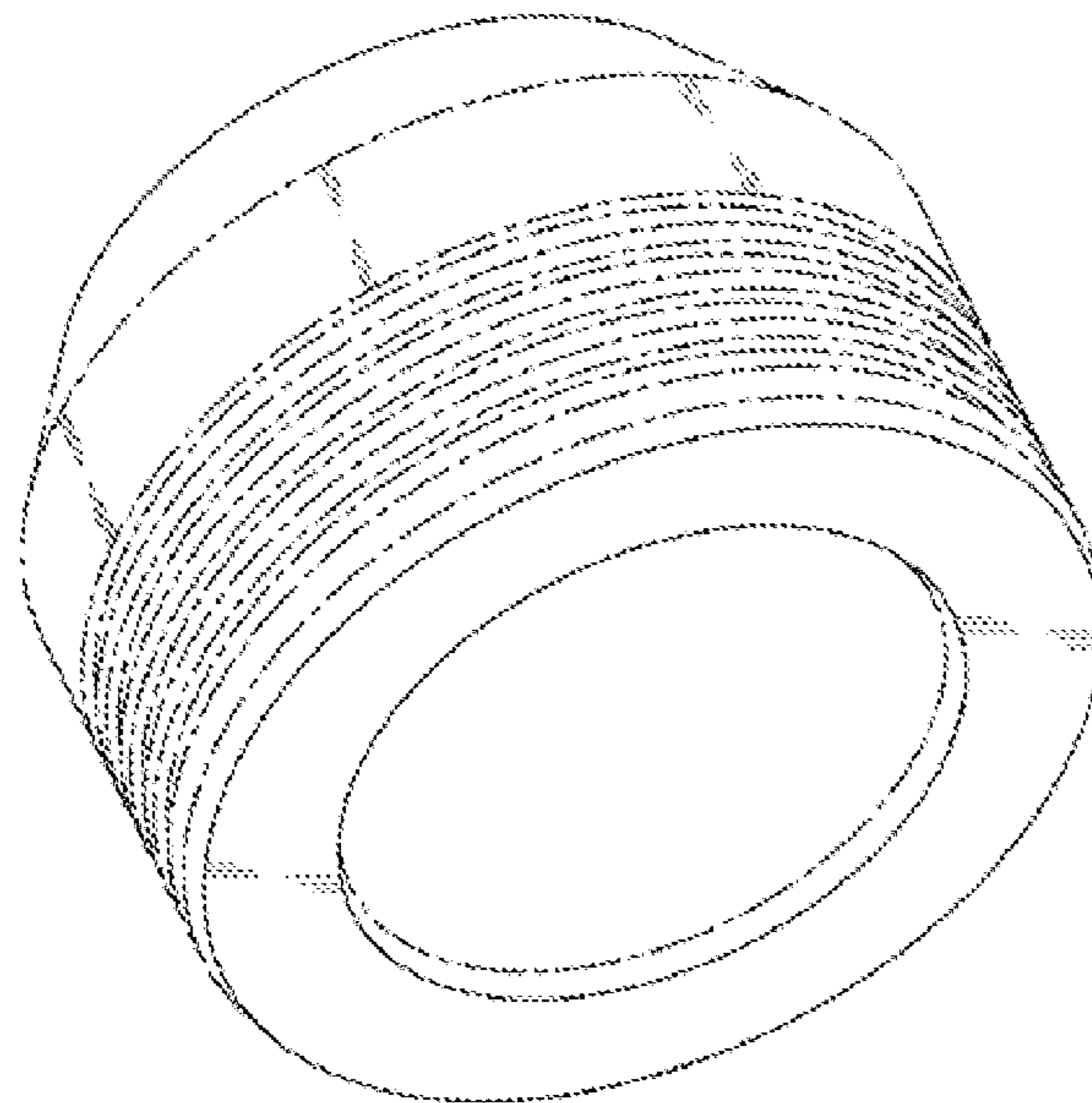


FIGURE 2

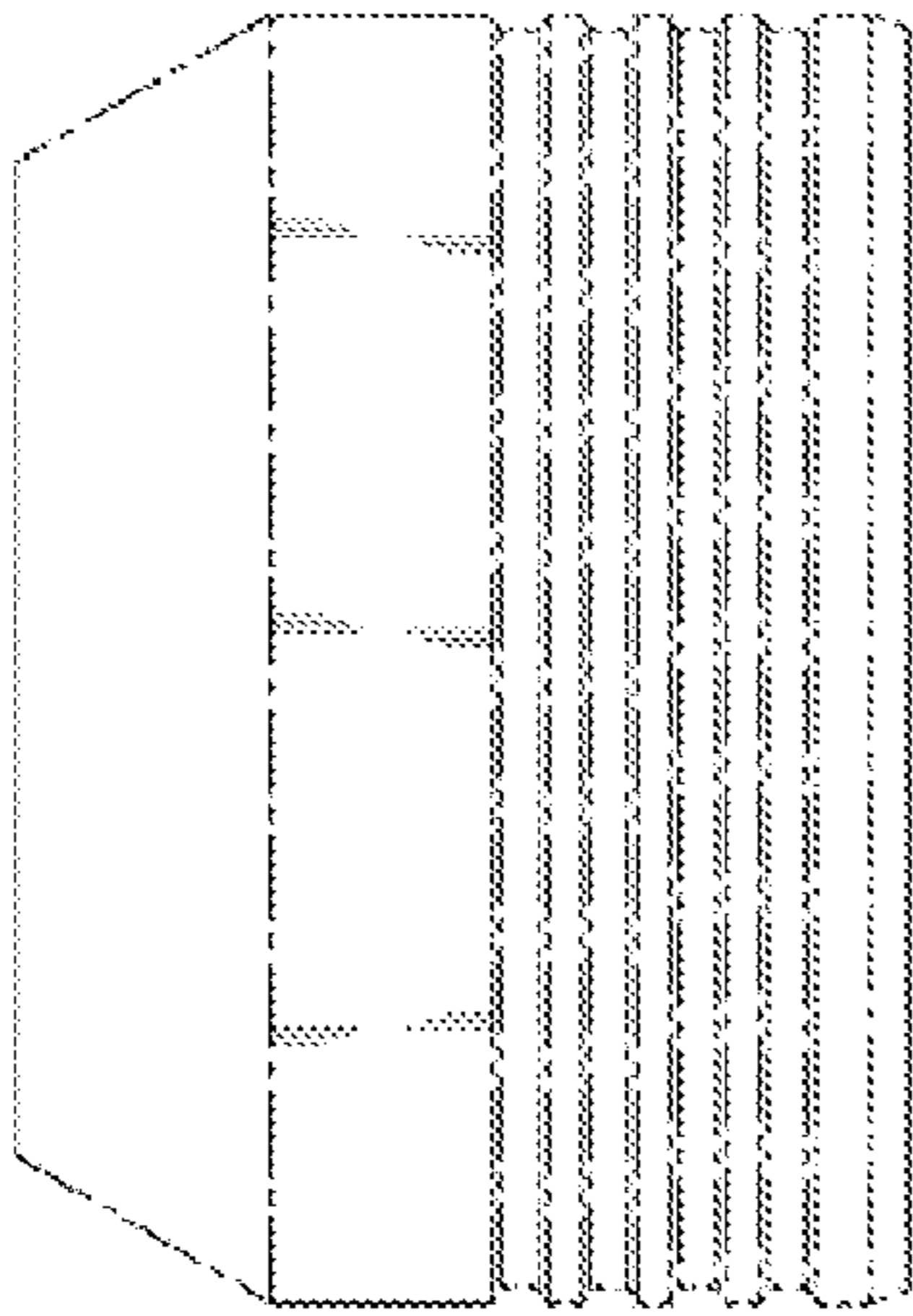


FIGURE 3

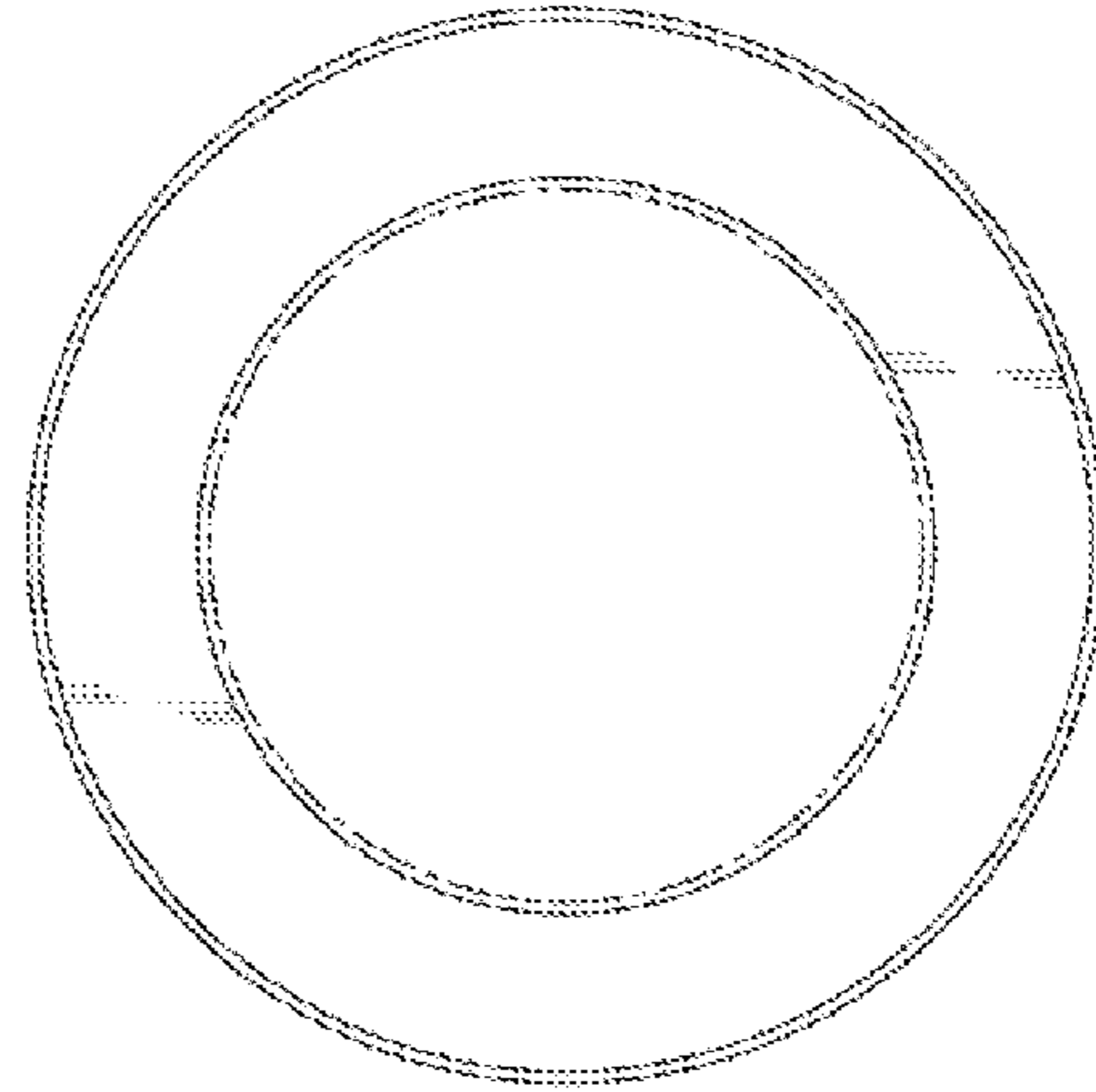


FIGURE 4

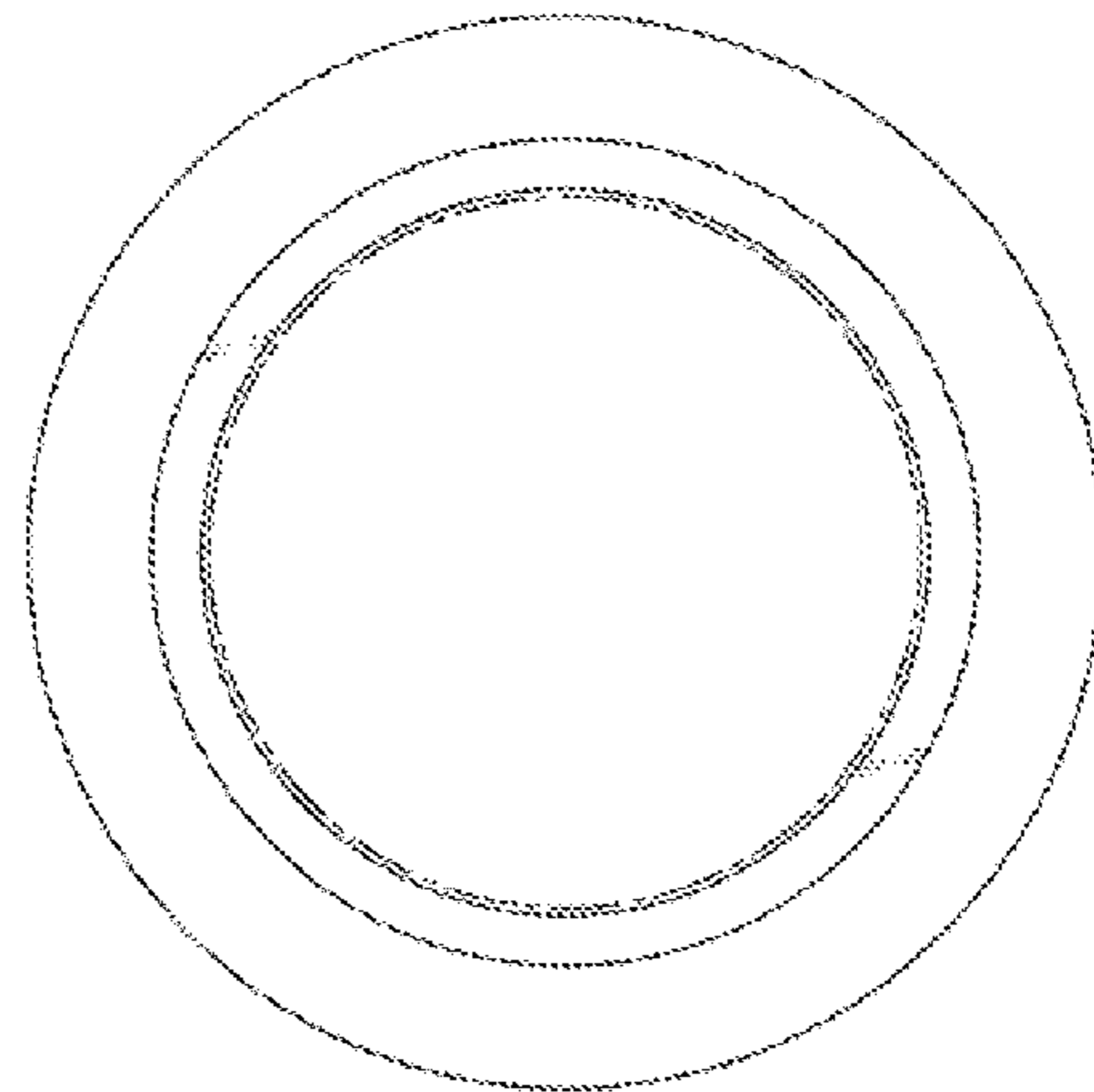


FIGURE 5

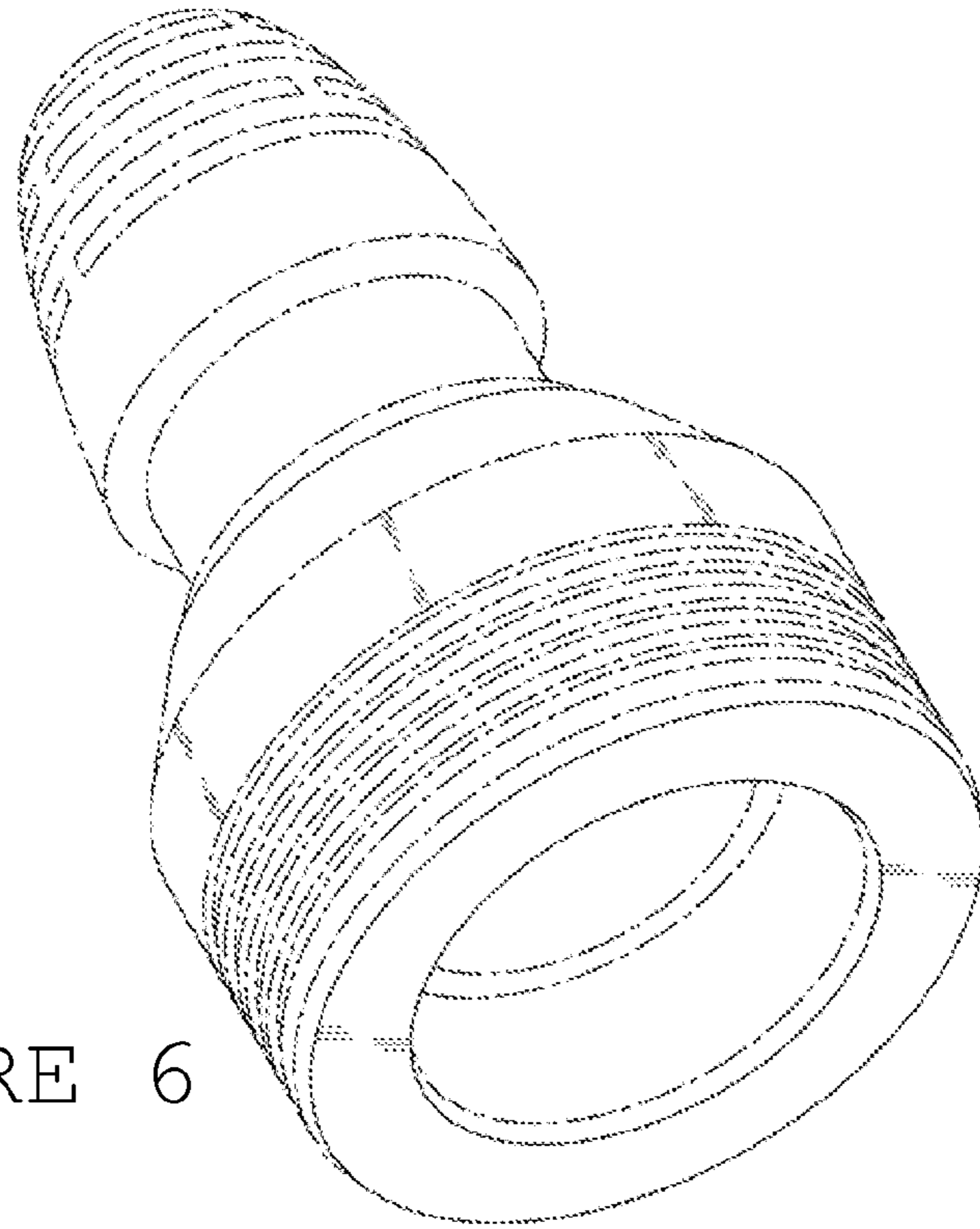


FIGURE 6

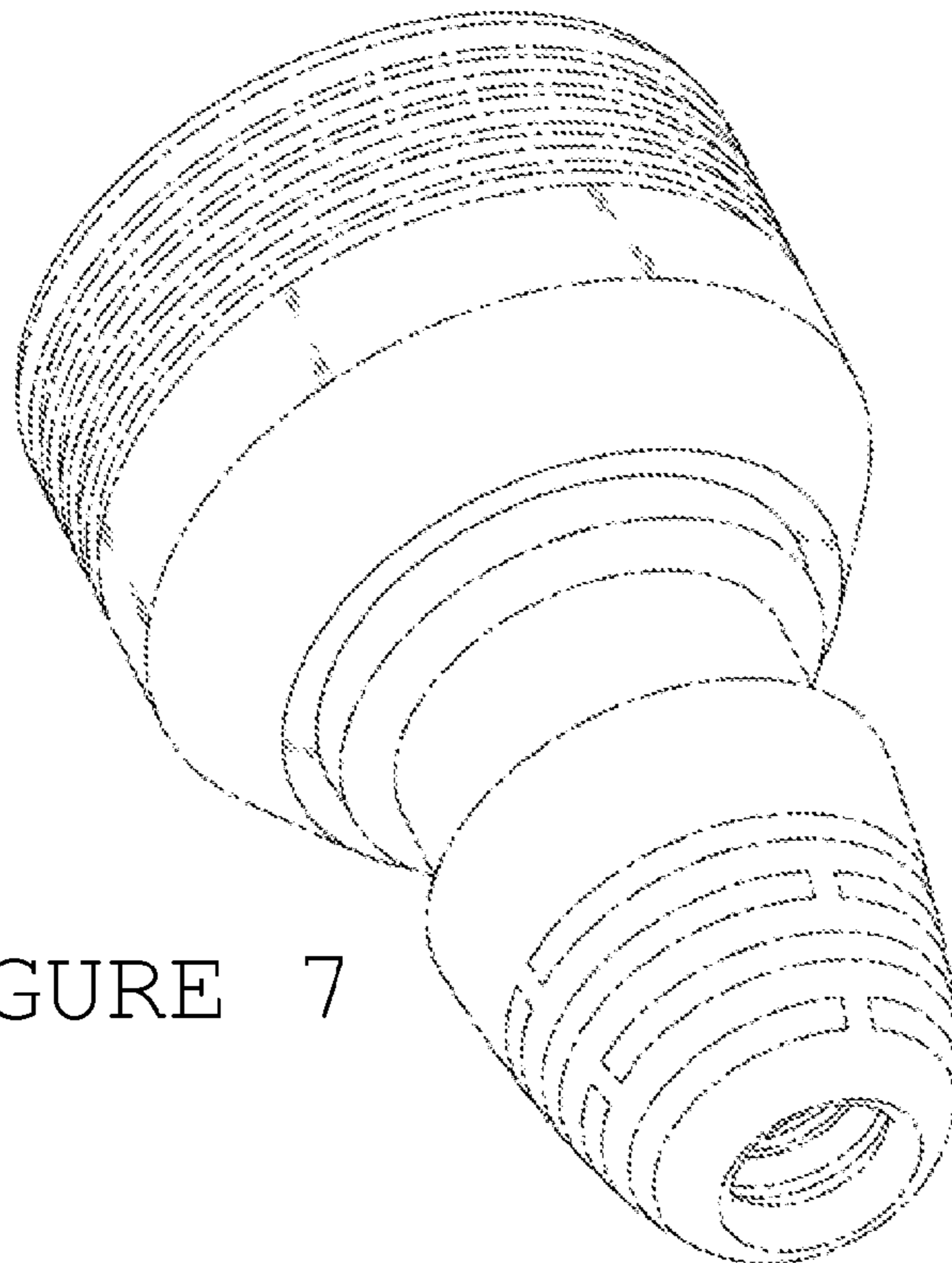


FIGURE 7