



US00D642536S

(12) **United States Design Patent**
Robinson

(10) **Patent No.:** **US D642,536 S**

(45) **Date of Patent:** **** Aug. 2, 2011**

(54) **ELECTRICAL SERVICE SOCKET ADAPTER HOUSING**

(75) Inventor: **Darrell Robinson**, Waterford, MI (US)

(73) Assignee: **Ekstrom Industries, Inc.**, Farmington Hills, MI (US)

(**) Term: **14 Years**

(21) Appl. No.: **29/340,026**

(22) Filed: **Jul. 13, 2009**

(51) **LOC (9) Cl.** **13-03**

(52) **U.S. Cl.** **D13/154**

(58) **Field of Classification Search** D13/133,
D13/147, 154, 155, 156, 184; 361/662, 663,
361/664, 667, 668, 669; 439/146, 508, 517
See application file for complete search history.

(56) **References Cited**

U.S. PATENT DOCUMENTS

3,943,441	A *	3/1976	Shackford	324/110
5,423,695	A *	6/1995	Robinson et al.	439/517
6,325,666	B1 *	12/2001	Robinson et al.	439/517
6,428,350	B1	8/2002	Robinson et al.		
6,589,072	B2	7/2003	Robinson et al.		
7,040,920	B2	5/2006	Johnson, Jr. et al.		
7,458,846	B2 *	12/2008	Loehr et al.	439/517
7,656,649	B2 *	2/2010	Loy et al.	361/659
2002/0123265	A1 *	9/2002	Robinson et al.	439/517
2007/0188985	A1 *	8/2007	Wallace et al.	361/664
2008/0180885	A1 *	7/2008	Loehr et al.	361/663
2009/0124119	A1 *	5/2009	Austin	439/517

* cited by examiner

(74) *Attorney, Agent, or Firm* — Rader Fishman & Grauer

(57) **CLAIM**

The ornamental design for electrical service socket adapter housing, as shown and described.

DESCRIPTION

FIG. 1 is a bottom view of a first embodiment of an electrical service socket adapter housing showing the new design;

FIG. 2 is a perspective view thereof;

FIG. 3 is a front view thereof;

FIG. 4 is a back view thereof;

FIG. 5 is a top view thereof;

FIG. 6 is a right side view thereof, the left side view being a mirror image thereto;

FIG. 7 is a perspective view of a second embodiment of an electrical service socket adapter housing showing the new design;

FIG. 8 is a front view thereof;

The bottom, back, top and sides views of the second embodiment are the same as FIGS. 1, 4, 5 and 6 respectively;

FIG. 9 is a perspective view of a third embodiment of an electrical service socket adapter housing showing the new design;

The bottom, front, back, top and sides views of the third embodiment are the same as FIGS. 1, 8, 4, 5 and 6 respectively; and,

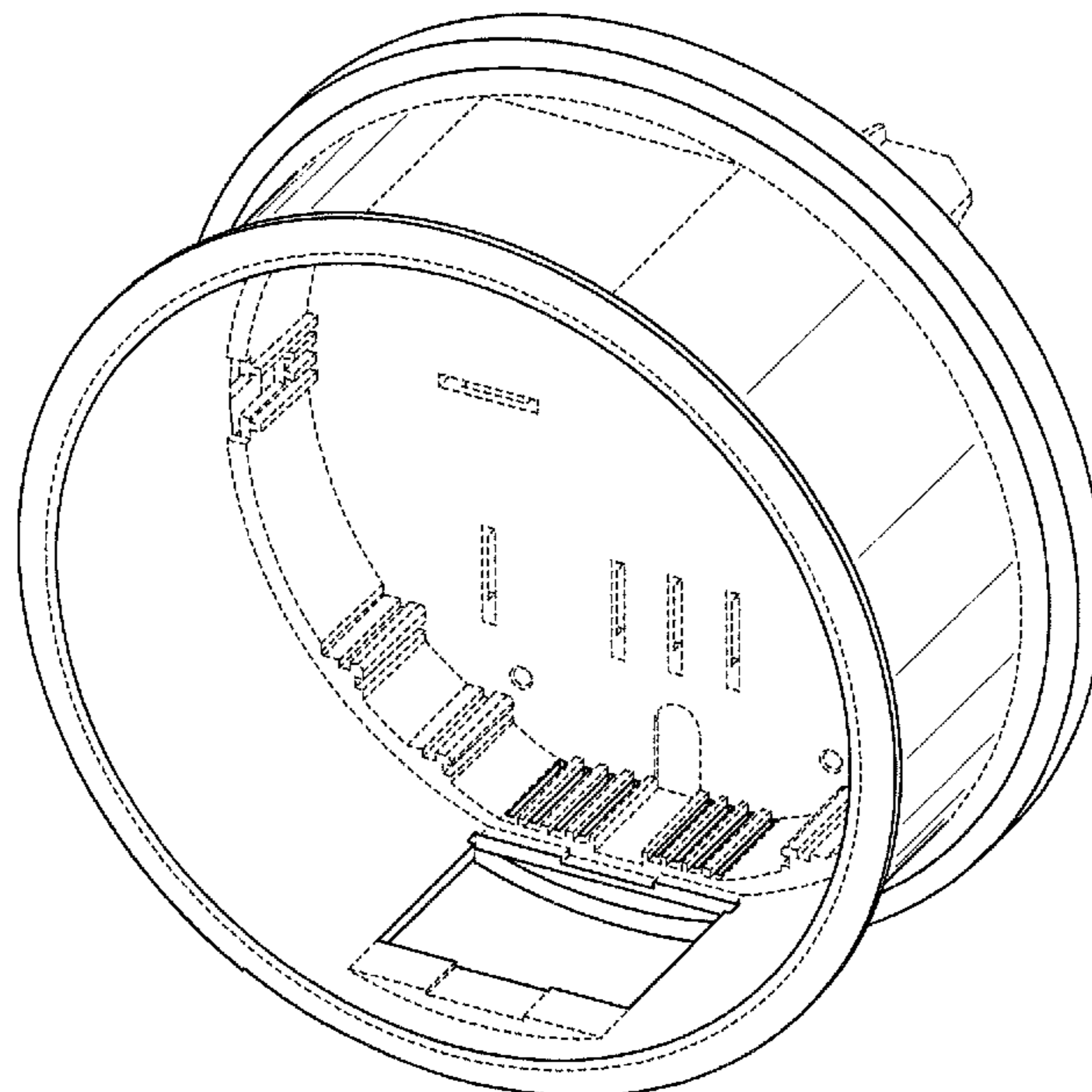
FIG. 10 is a perspective view of a fourth embodiment of an electrical service socket adapter housing showing the new design.

The bottom, front, back, top and sides views of the fourth embodiment are the same as FIGS. 1, 8, 4, 5 and 6 respectively.

The broken line portion of the figure drawings is included to show unclaimed subject matter only and forms no part of the claimed design.

Primary Examiner — Daniel Bui

1 Claim, 8 Drawing Sheets



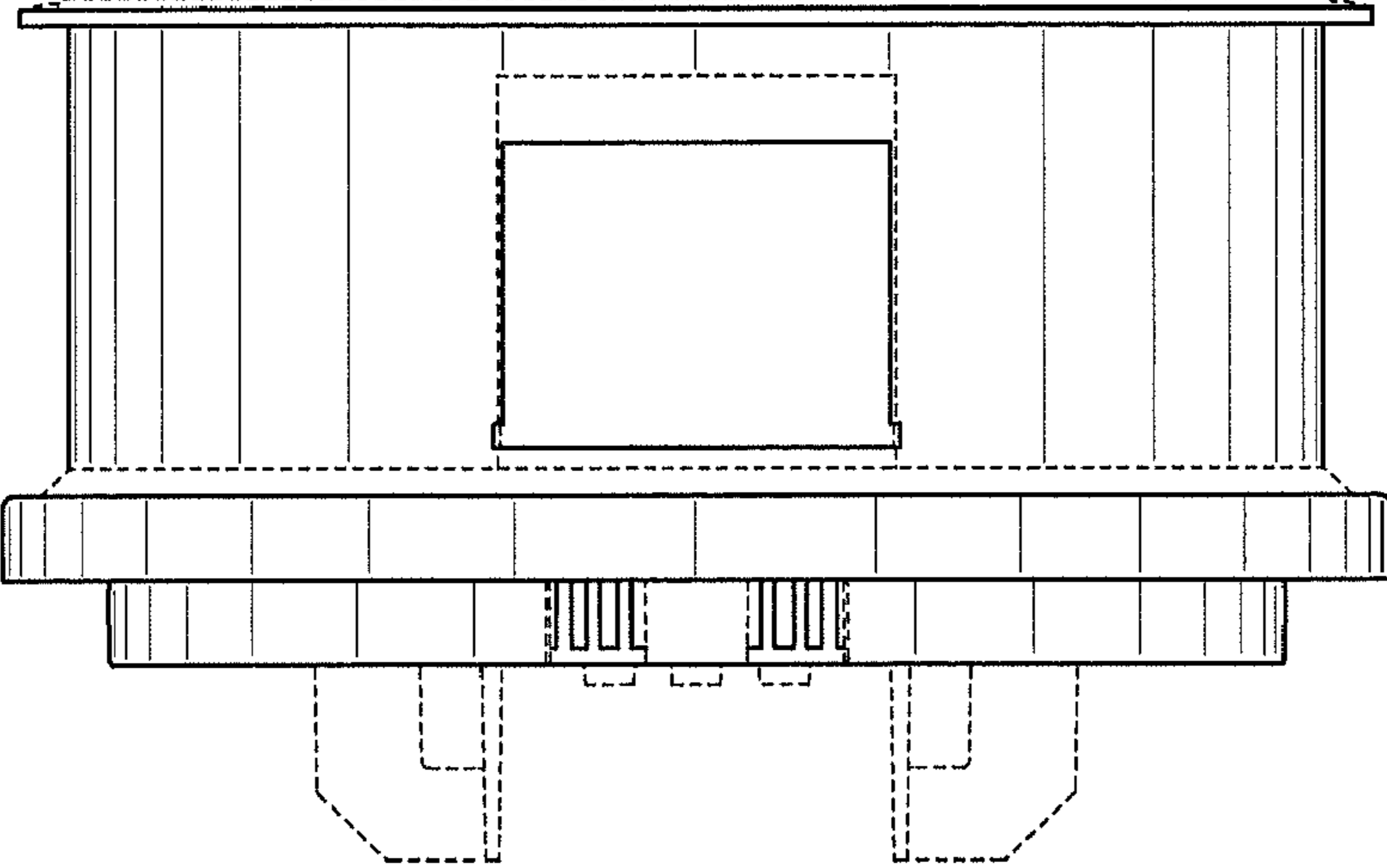


FIG. 1

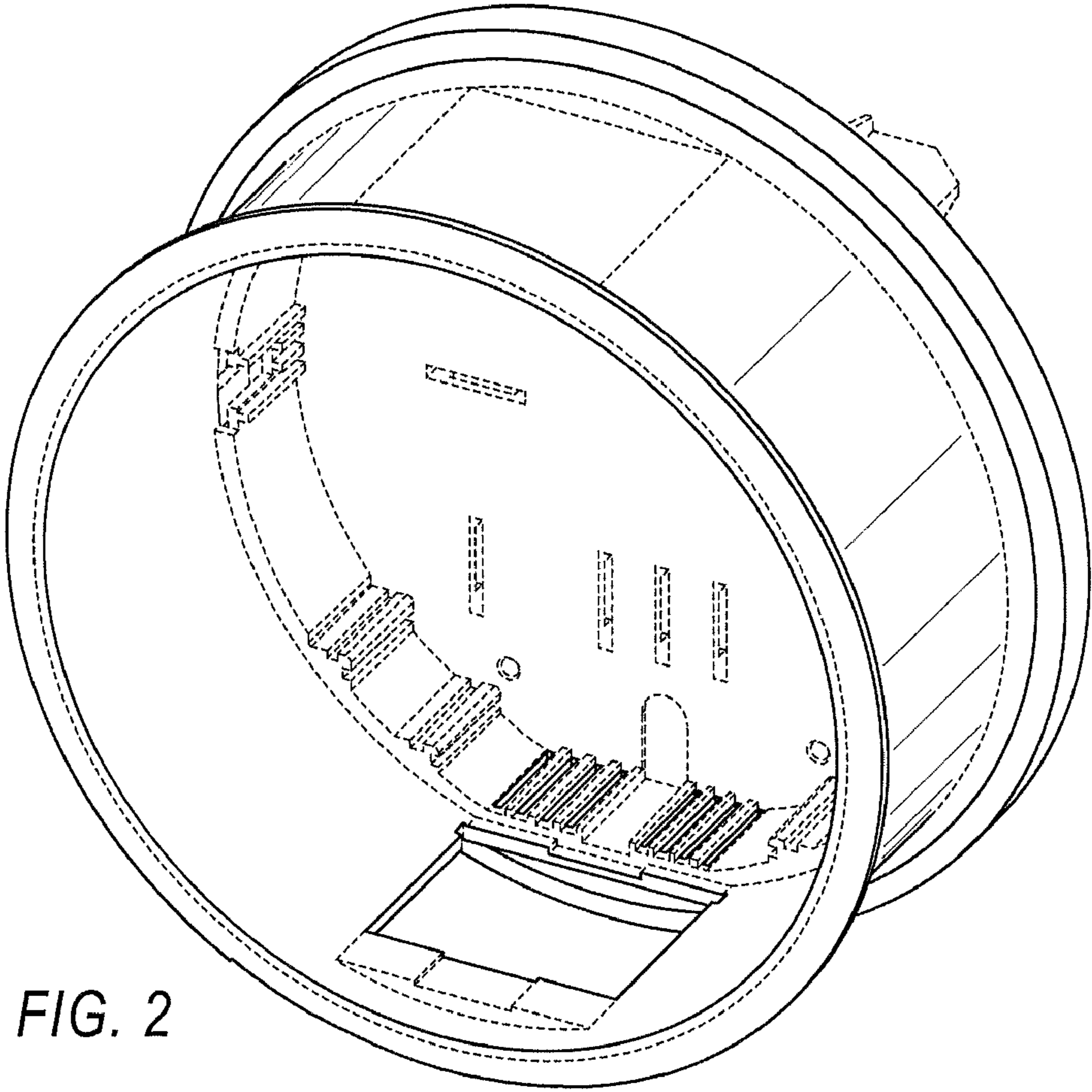


FIG. 2

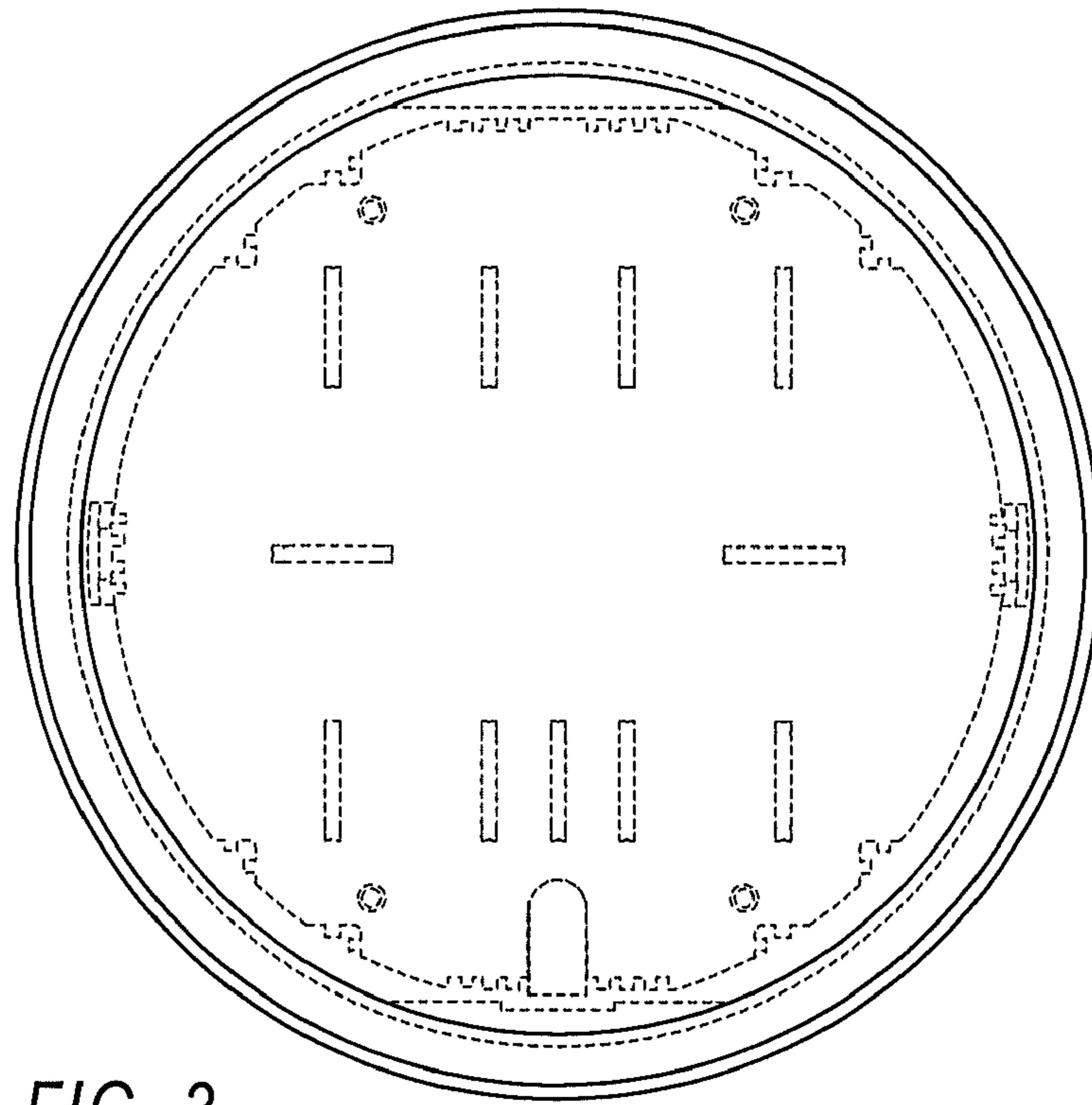


FIG. 3

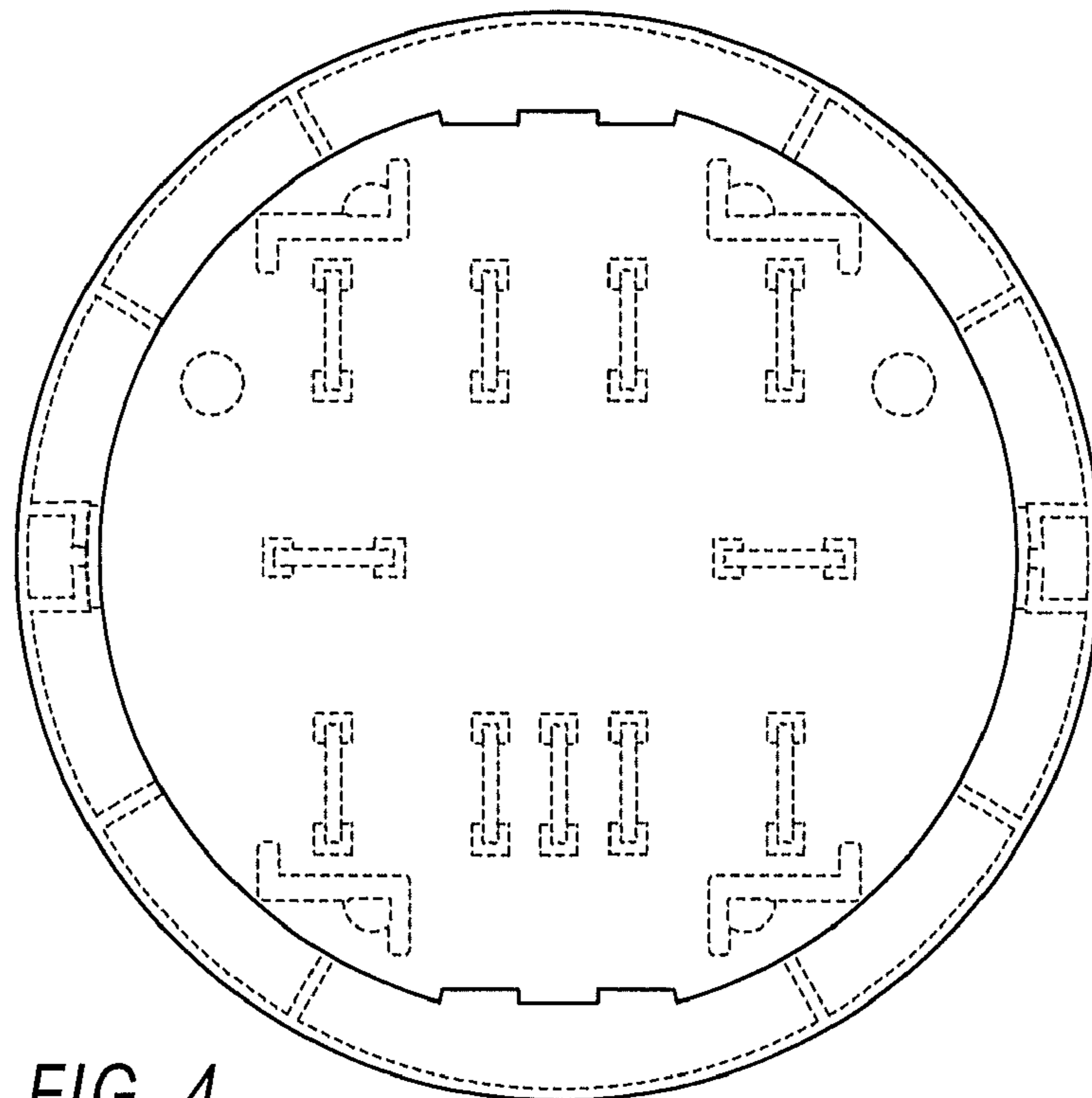


FIG. 4

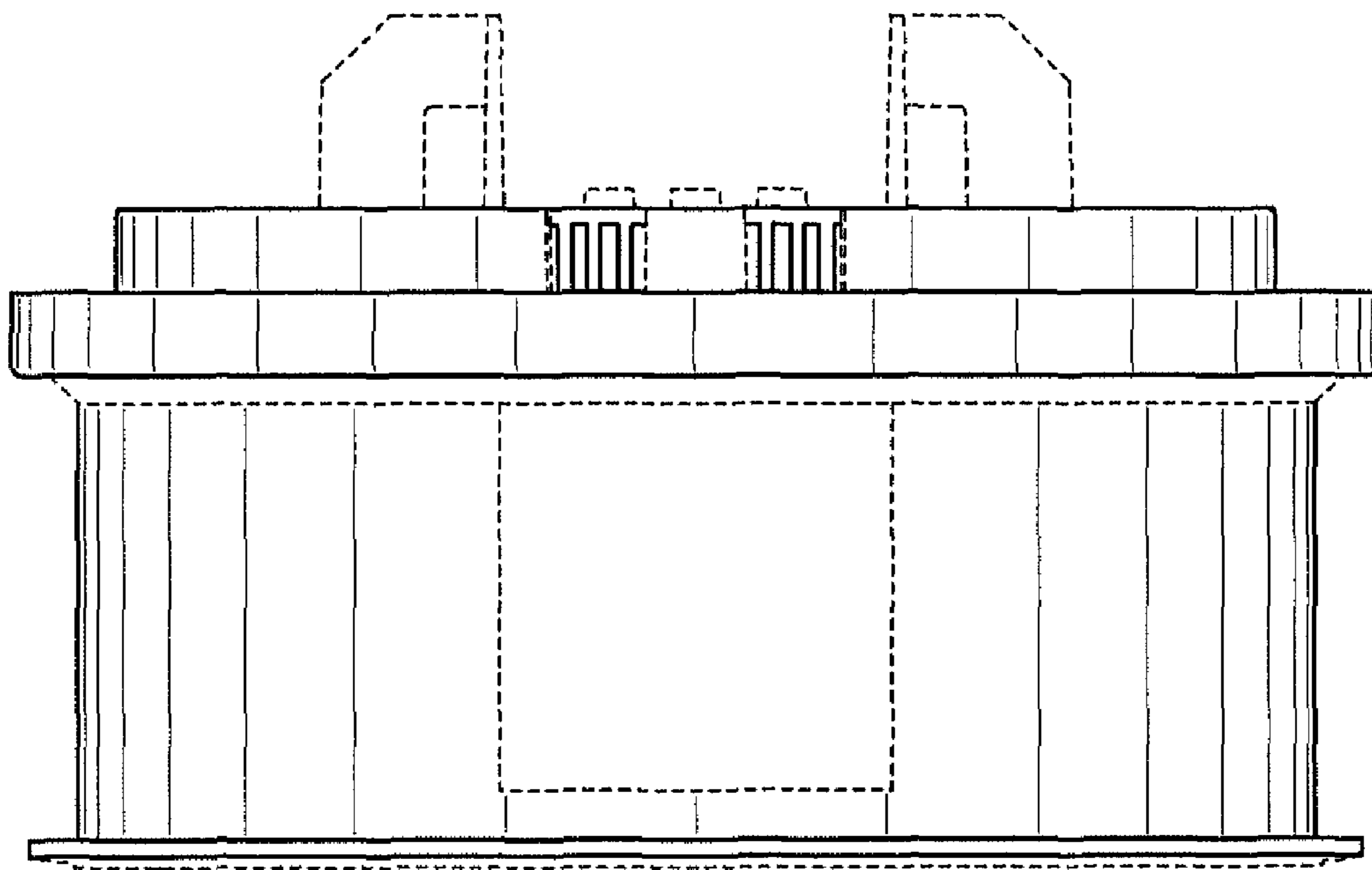


FIG. 5

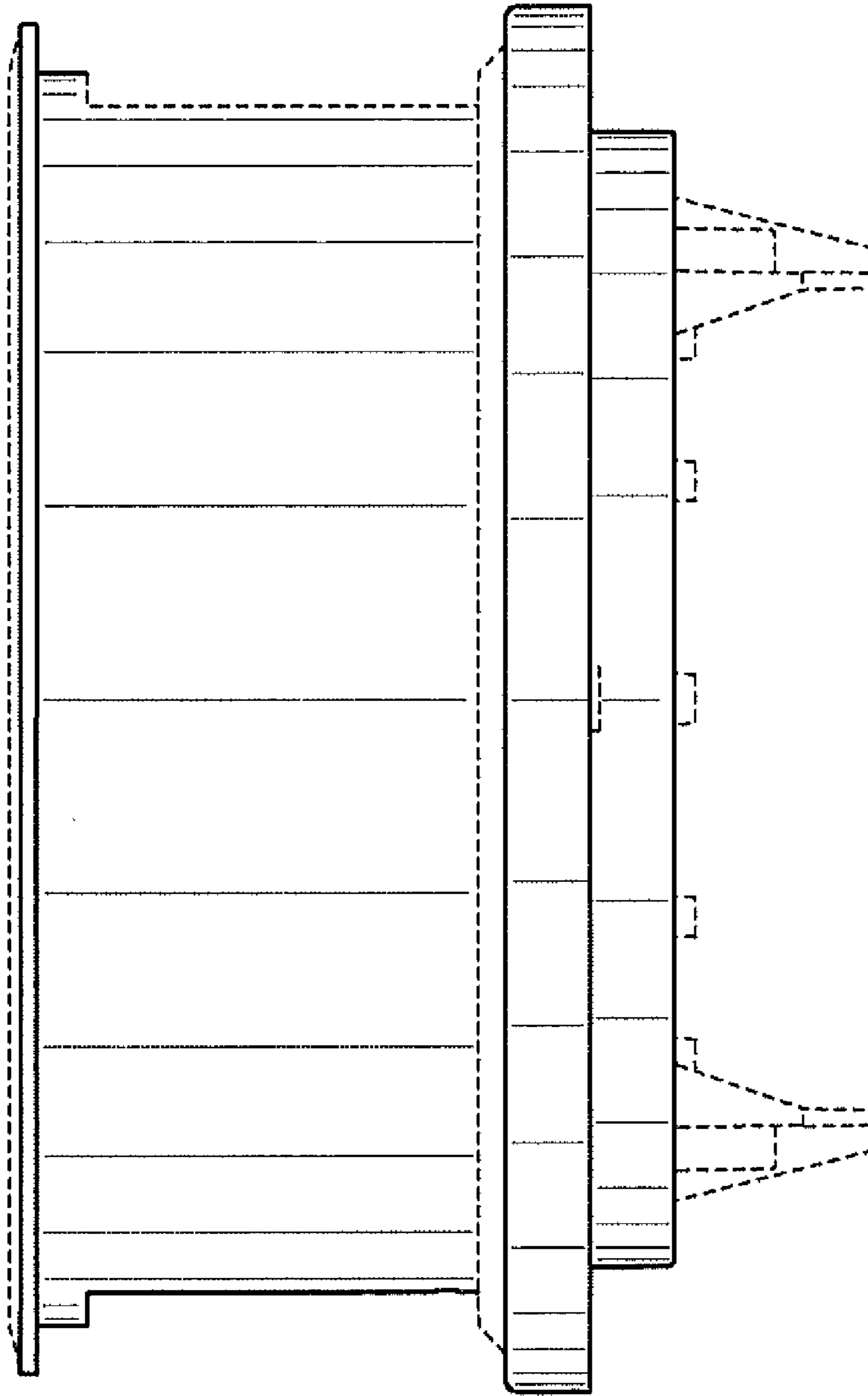


FIG. 6

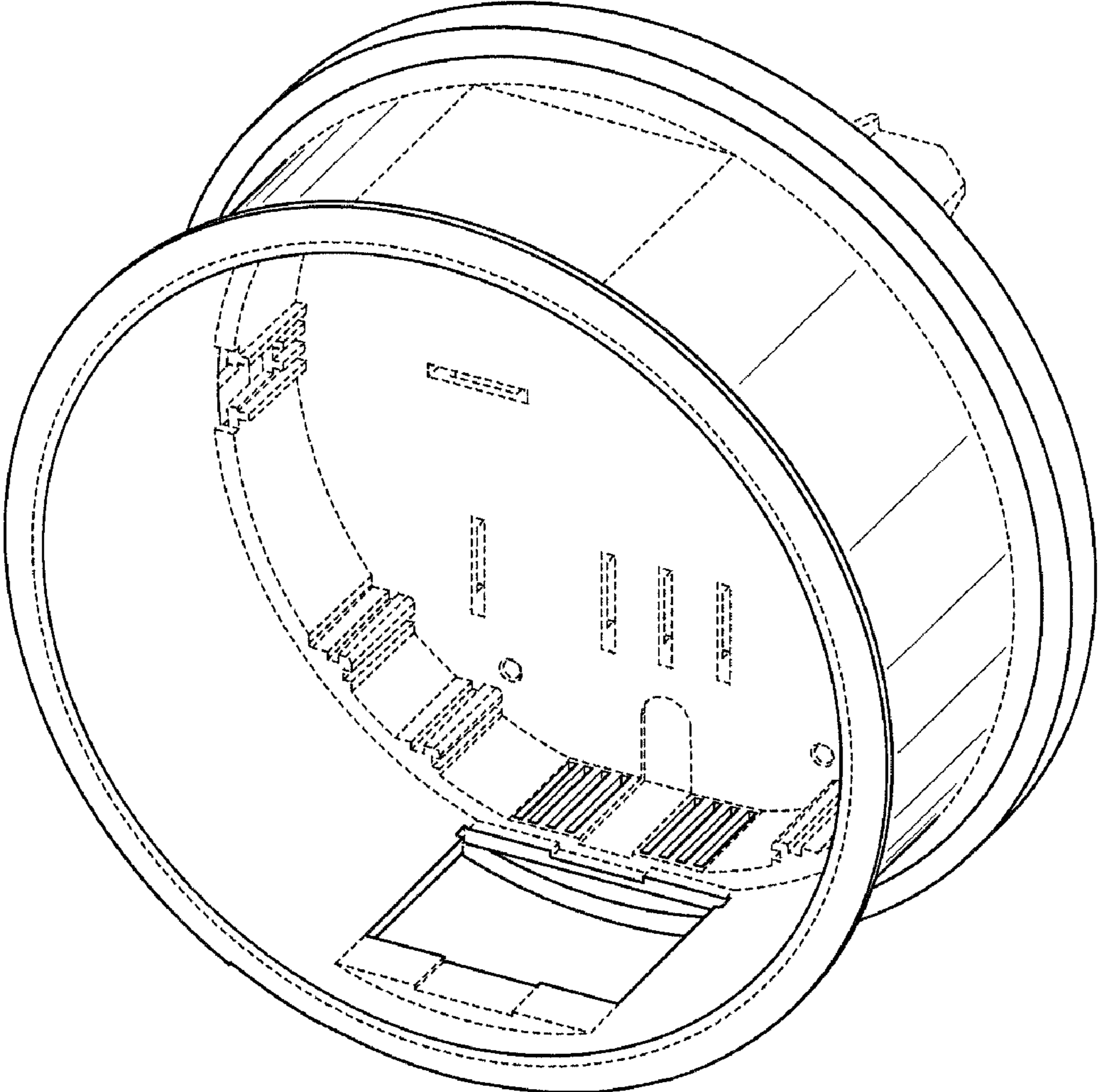


FIG. 7

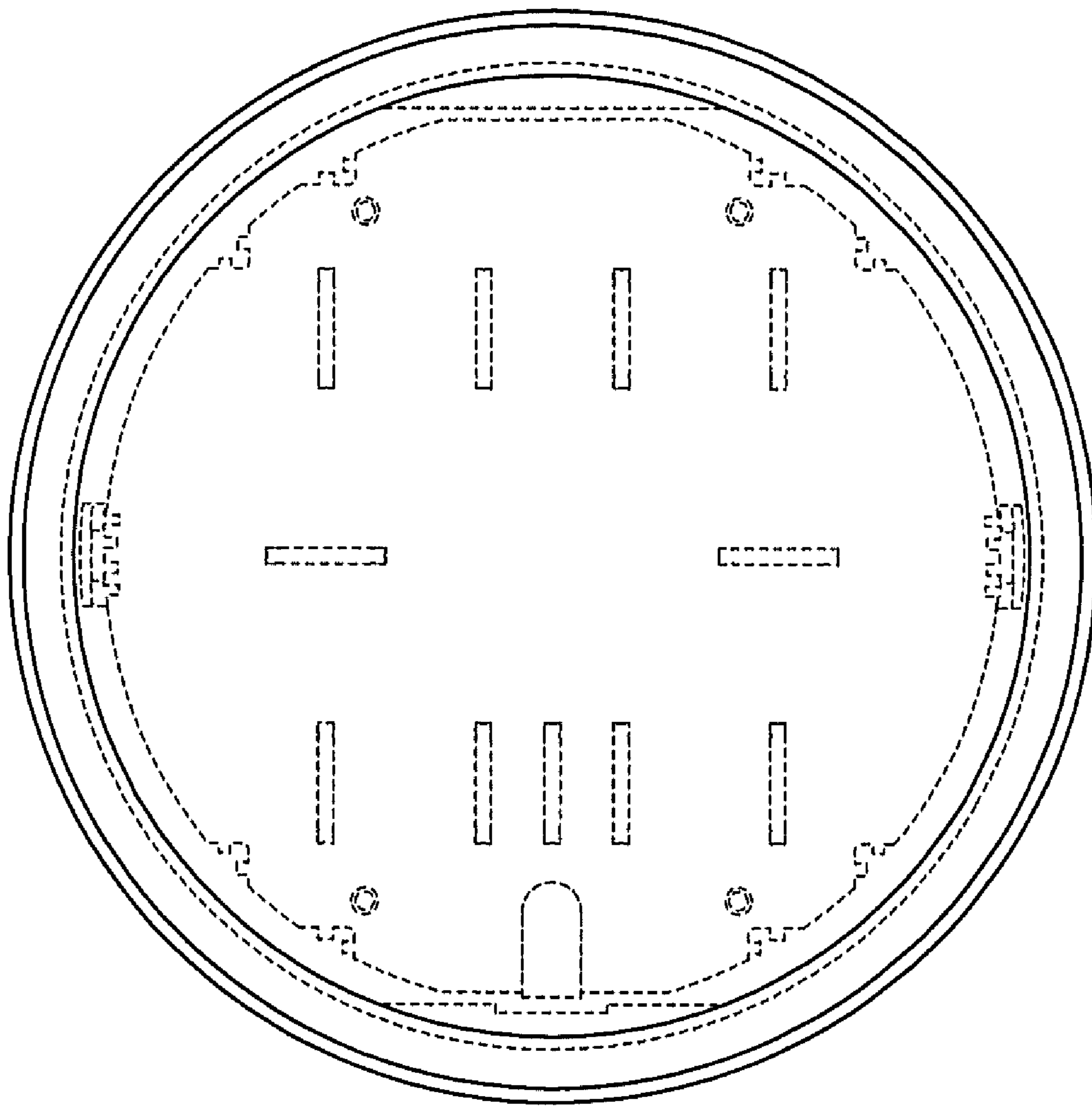


FIG. 8

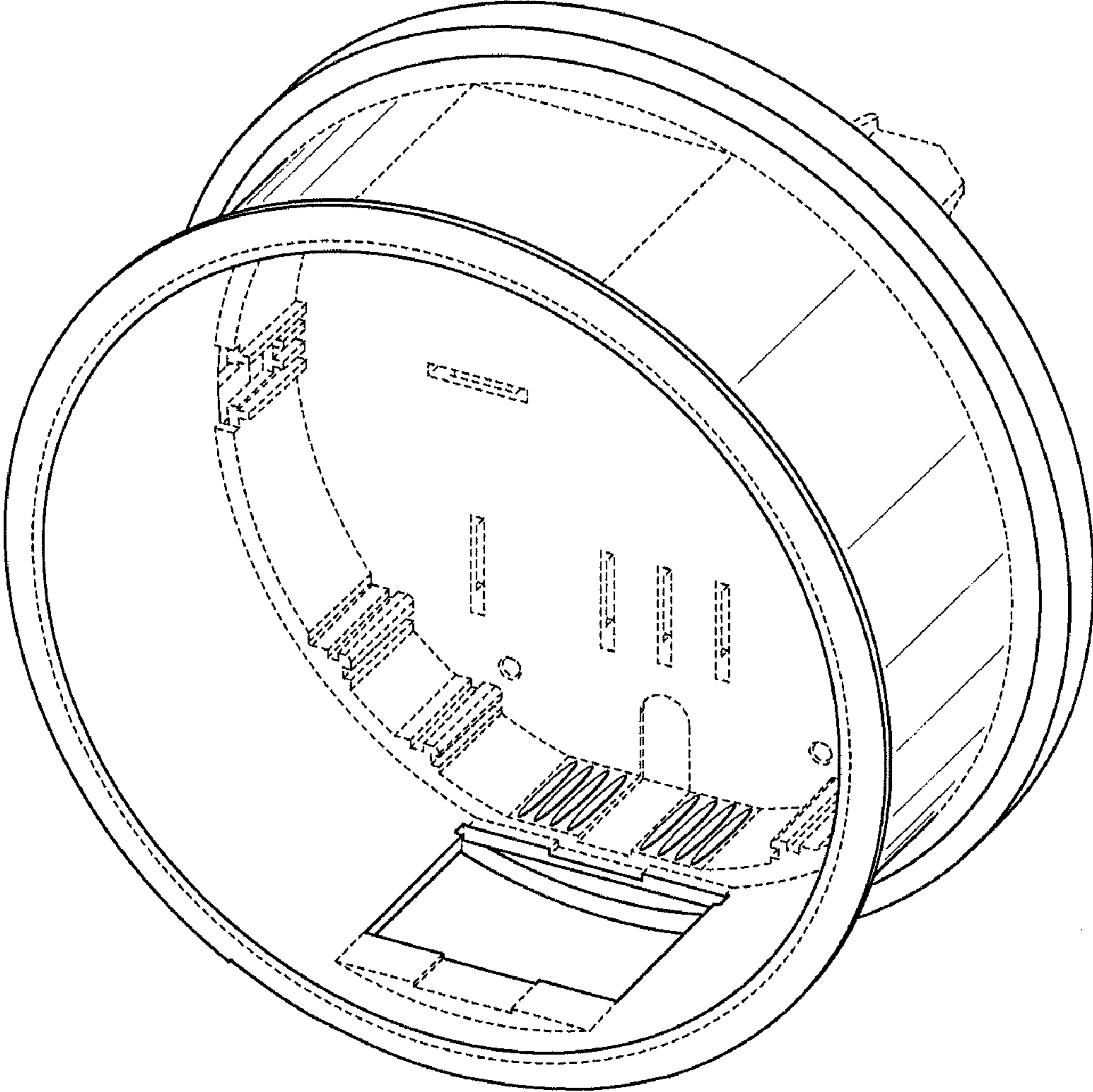


FIG. 9

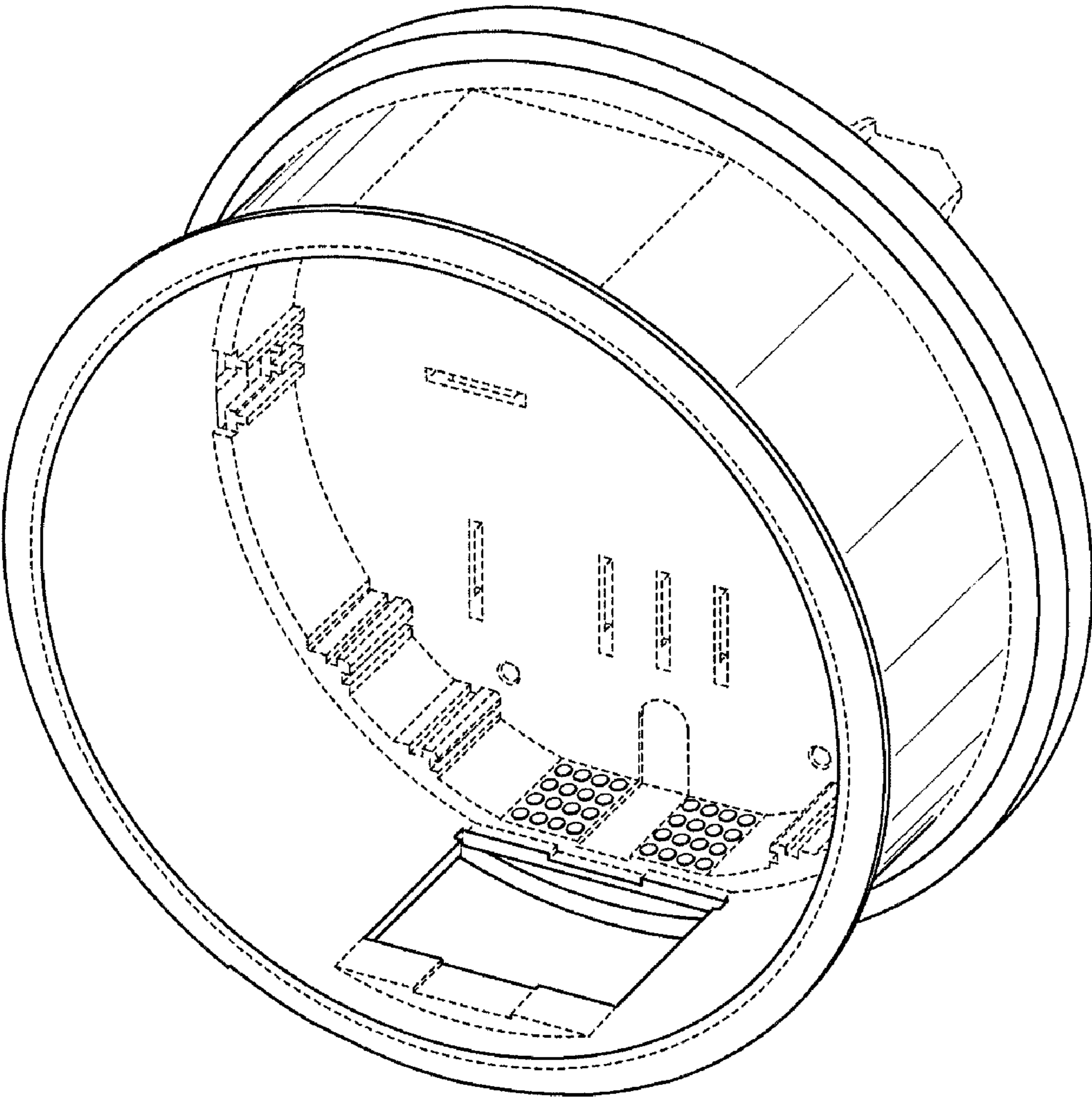


FIG. 10