



US00D642535S

(12) **United States Design Patent**
Sato et al.

(10) **Patent No.:** **US D642,535 S**

(45) **Date of Patent:** **** Aug. 2, 2011**

(54) **ELECTRICAL CONNECTOR**

(75) Inventors: **Yuzo Sato**, Tokyo (JP); **Hiroaki Obikane**, Tokyo (JP); **Yasufumi Yahiro**, Tokyo (JP)

(73) Assignee: **Japan Aviation Electronics Industry, Limited**, Tokyo (JP)

(**) Term: **14 Years**

(21) Appl. No.: **29/390,595**

(22) Filed: **Apr. 27, 2011**

(30) **Foreign Application Priority Data**

Mar. 1, 2011 (JP) 2011-004533

(51) **LOC (9) Cl.** **13-03**

(52) **U.S. Cl.** **D13/147**

(58) **Field of Classification Search** D13/147,
D13/154, 184, 199; 439/78-79, 83, 108,
439/181, 607.01, 607.04, 607.05, 607.17,
439/607.25, 607.34, 74, 607.41, 607.53,
439/630, 660

See application file for complete search history.

(56) **References Cited**

U.S. PATENT DOCUMENTS

D539,225	S	*	3/2007	Kishi et al.	D13/147
D561,697	S	*	2/2008	Chen et al.	D13/147
D562,770	S	*	2/2008	Obikane	D13/147
D582,858	S	*	12/2008	Hoshino et al.	D13/147
D598,861	S	*	8/2009	Hoshino et al.	D13/147
D603,798	S	*	11/2009	Obikane et al.	D13/147
D603,801	S	*	11/2009	Obikane et al.	D13/147

* cited by examiner

Primary Examiner — Daniel Bui

(74) *Attorney, Agent, or Firm* — Cermak Nakajima LLP; Tomoko Nakajima

(57) **CLAIM**

The ornamental design for an electrical connector, as shown.

DESCRIPTION

FIG. 1 is a front elevational view of an electrical connector showing our new design;

FIG. 2 is a top plan view thereof;

FIG. 3 is a right side elevational view thereof;

FIG. 4 is a left side elevational view thereof;

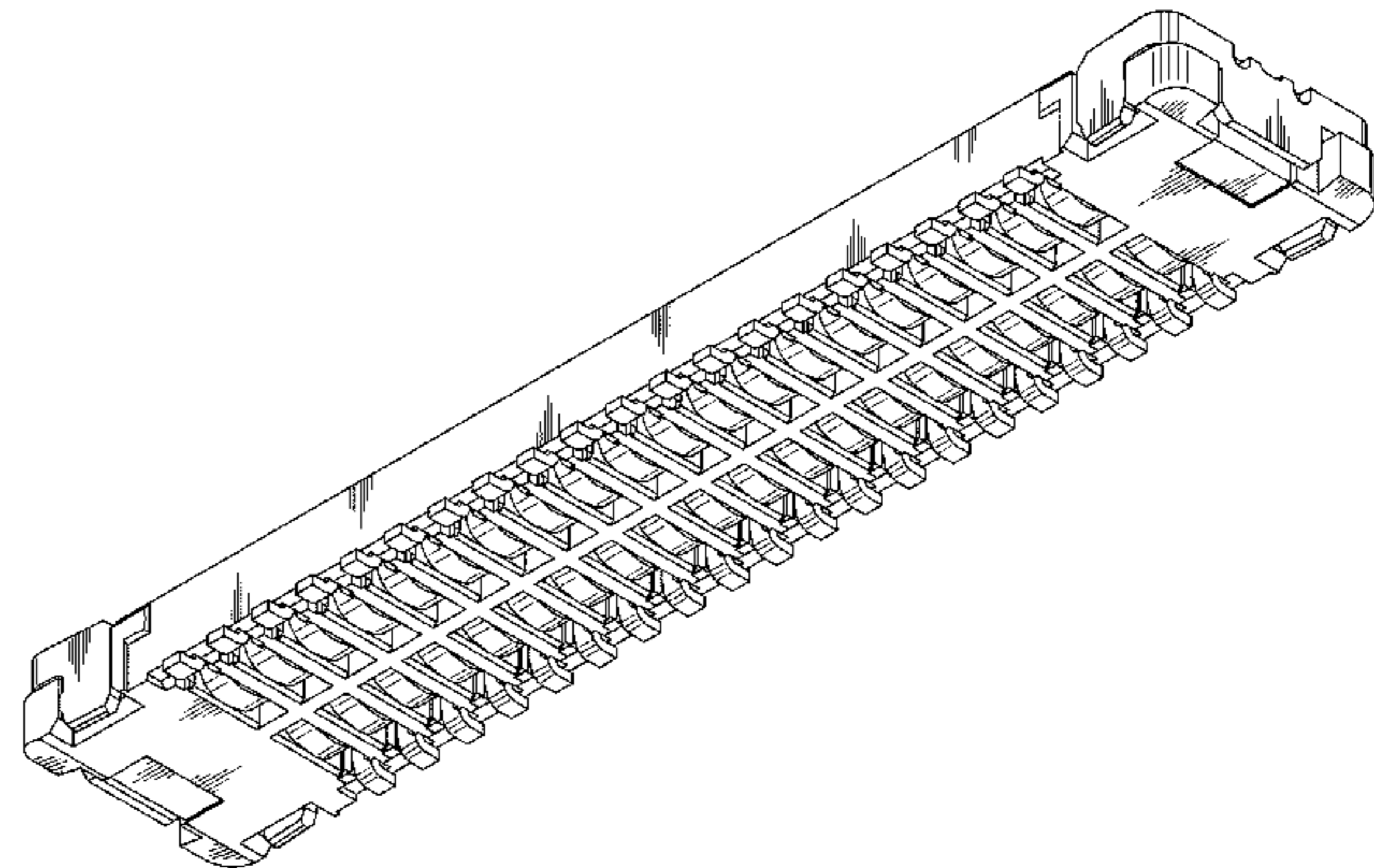
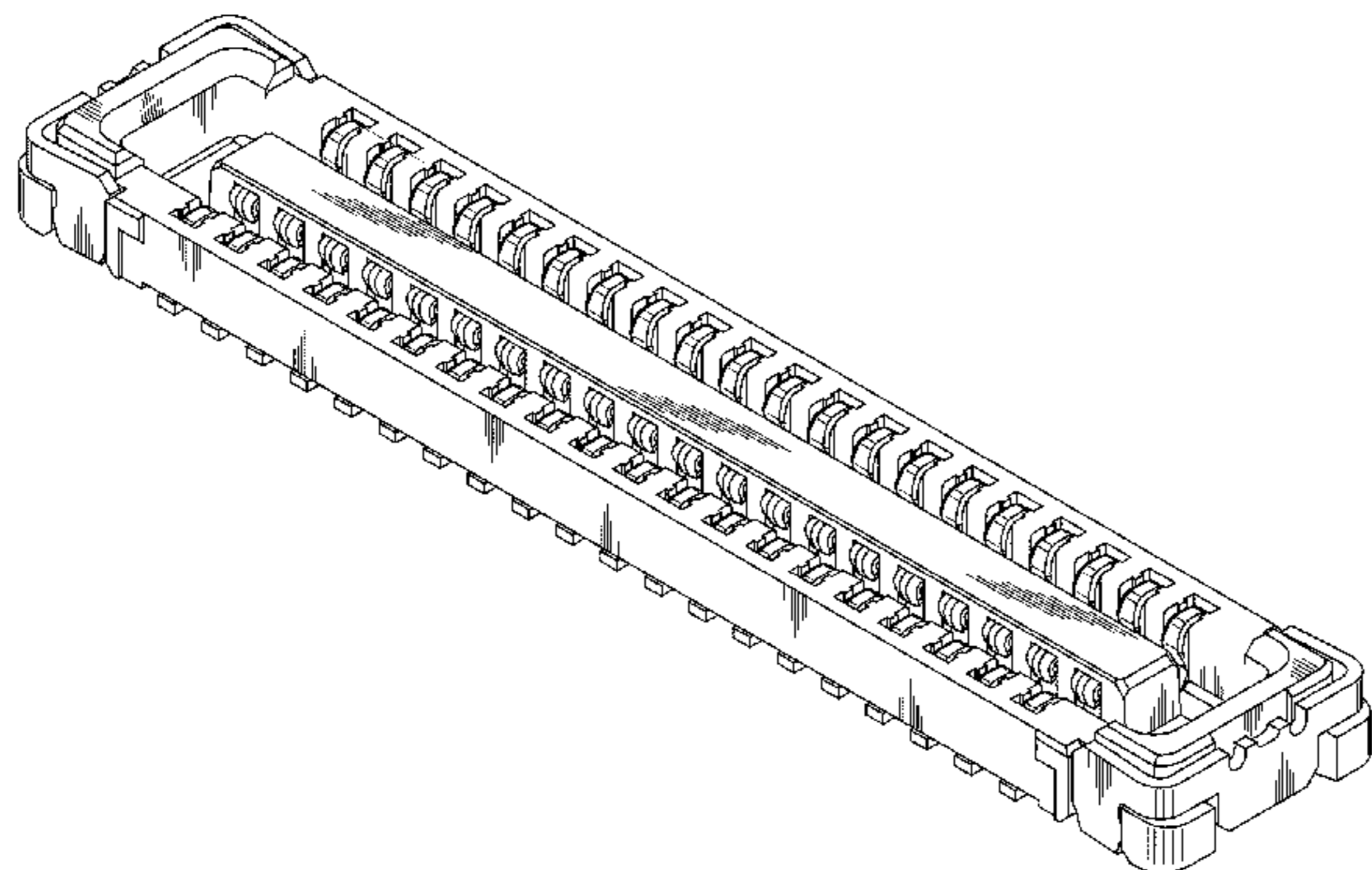
FIG. 5 is a rear elevational view thereof;

FIG. 6 is a bottom plan view thereof;

FIG. 7 is a top perspective view thereof; and,

FIG. 8 is a bottom perspective view thereof.

1 Claim, 8 Drawing Sheets



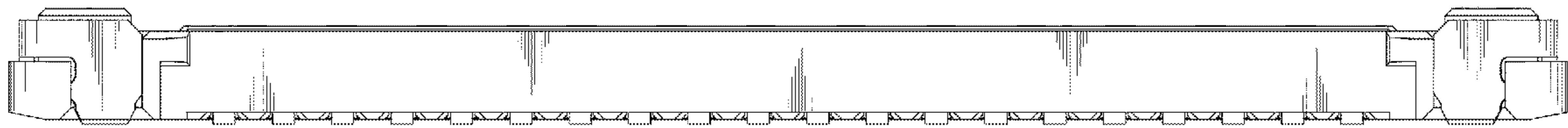


FIG.1

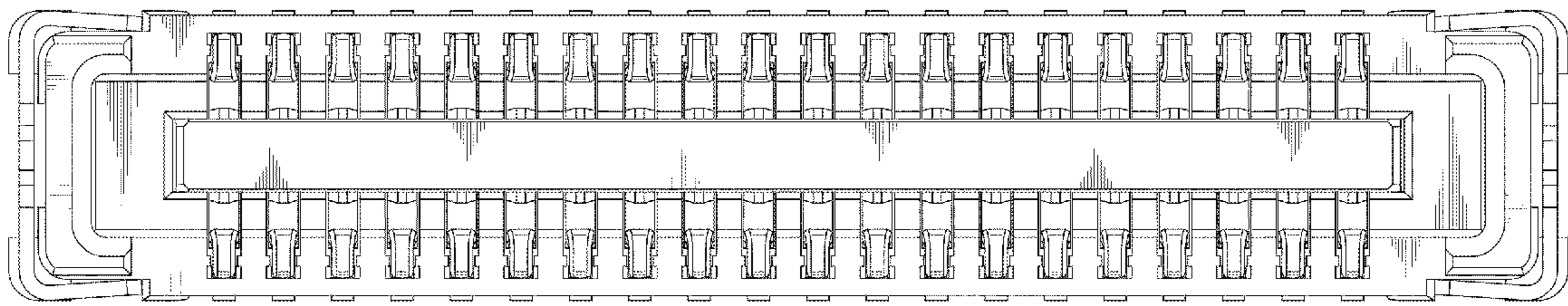


FIG.2

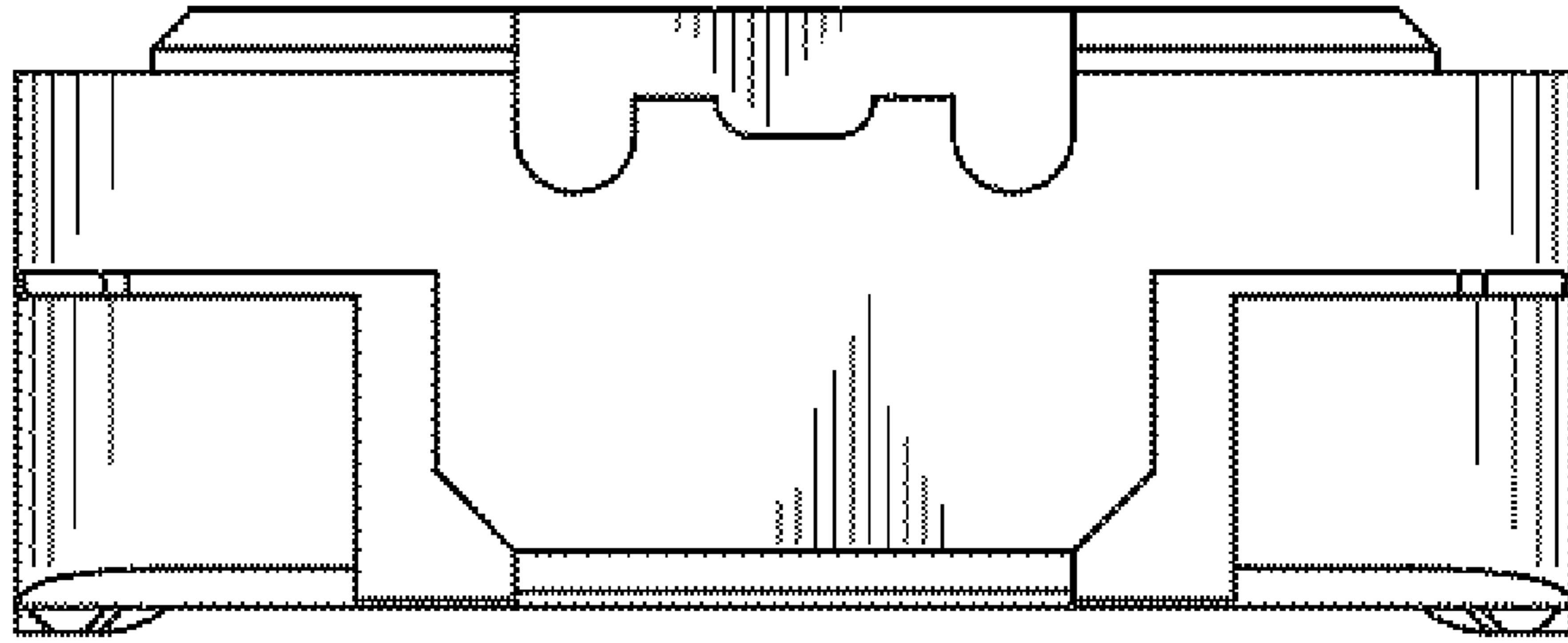


FIG. 3

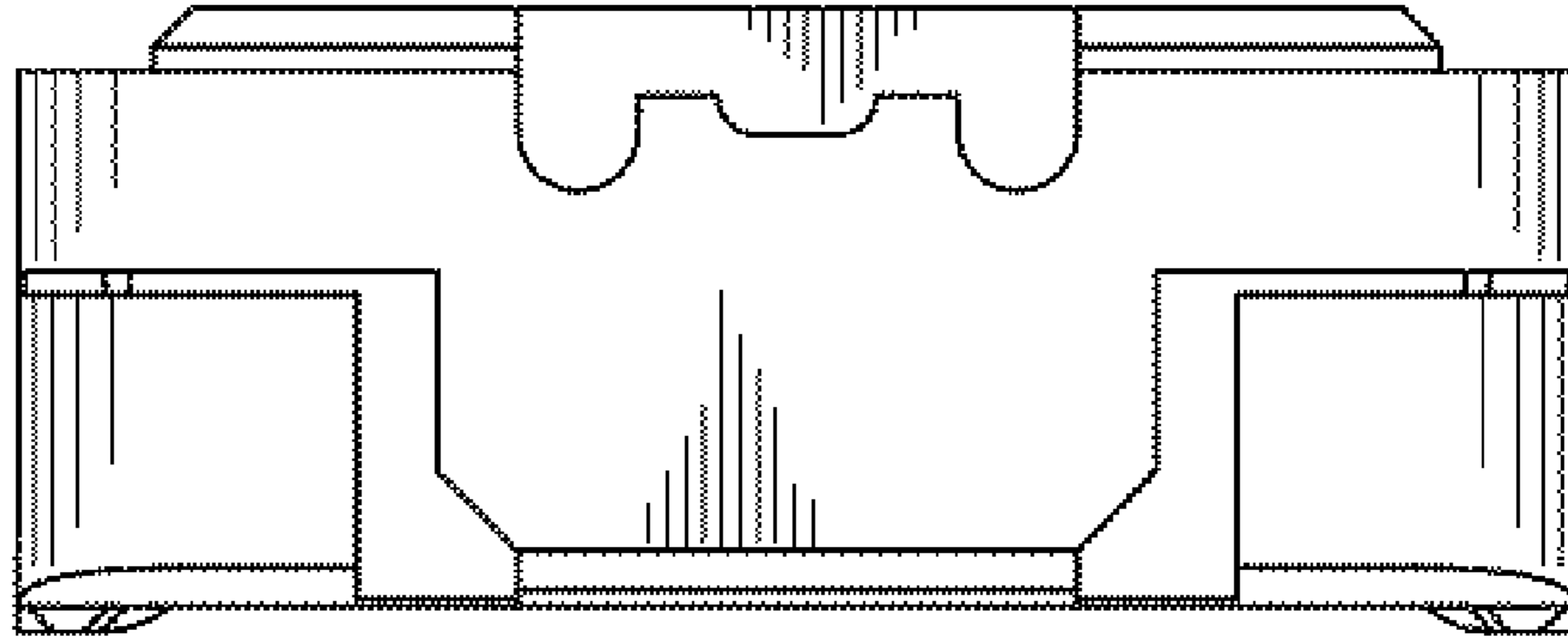


FIG. 4

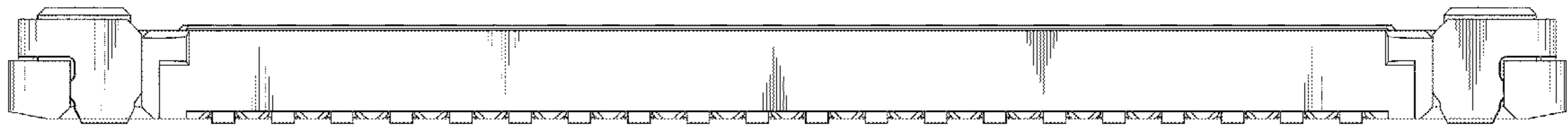


FIG.5

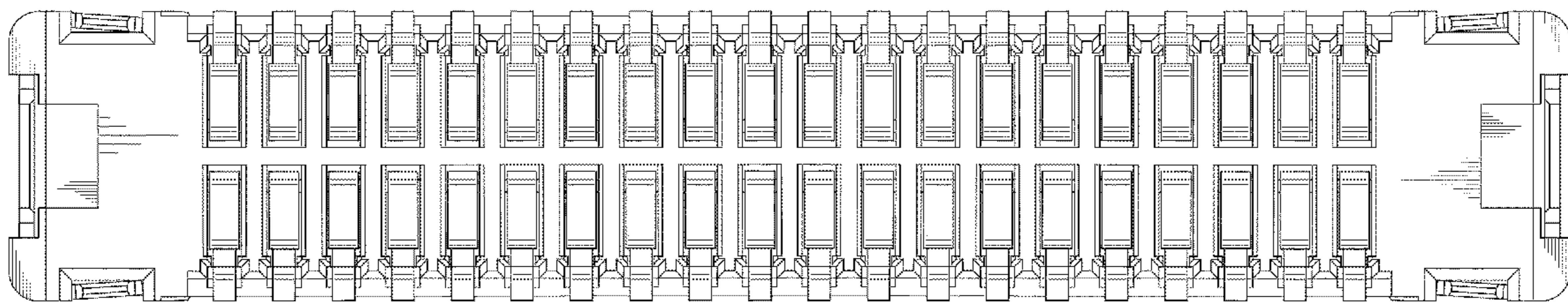


FIG.6

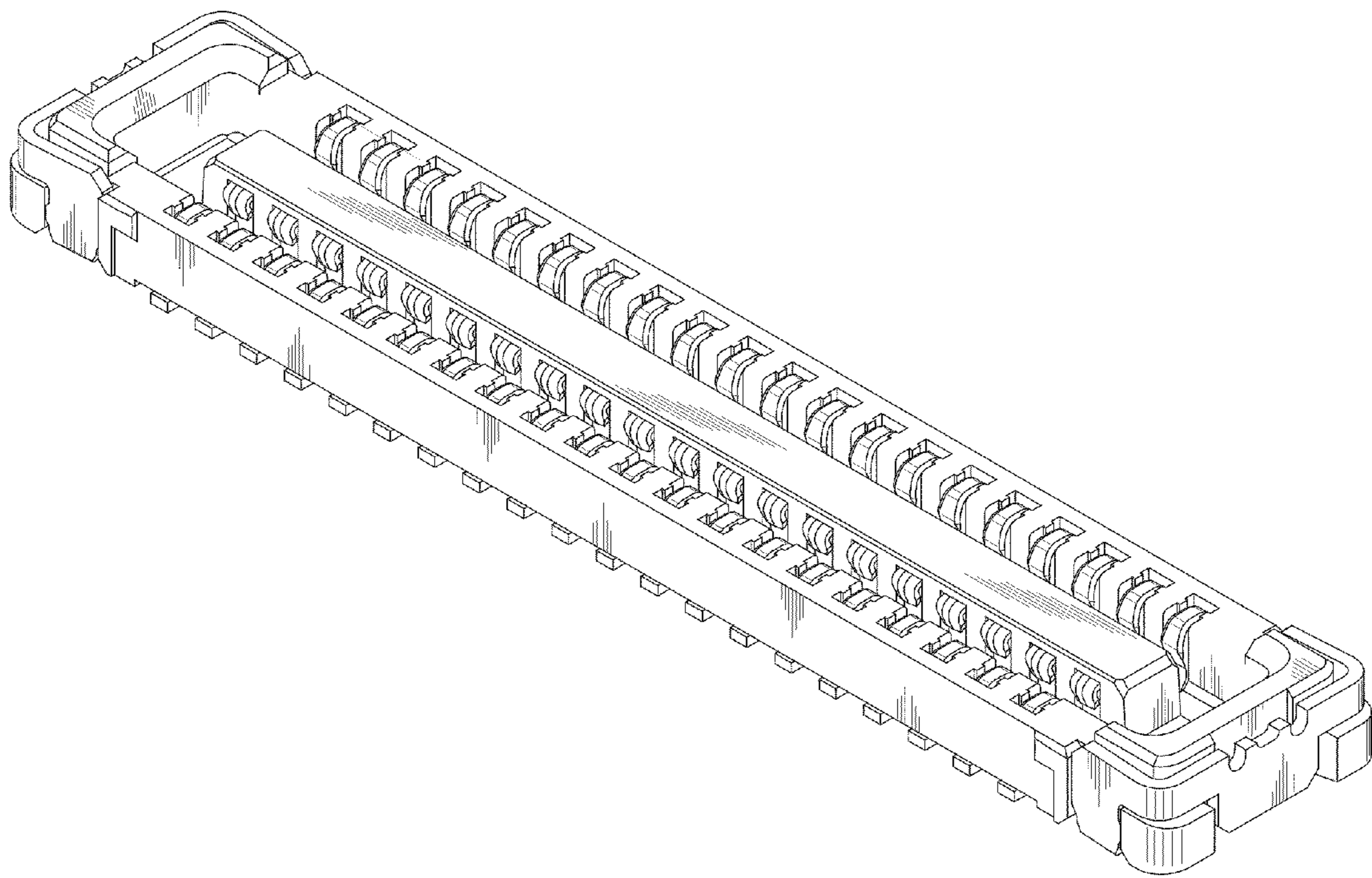


FIG.7

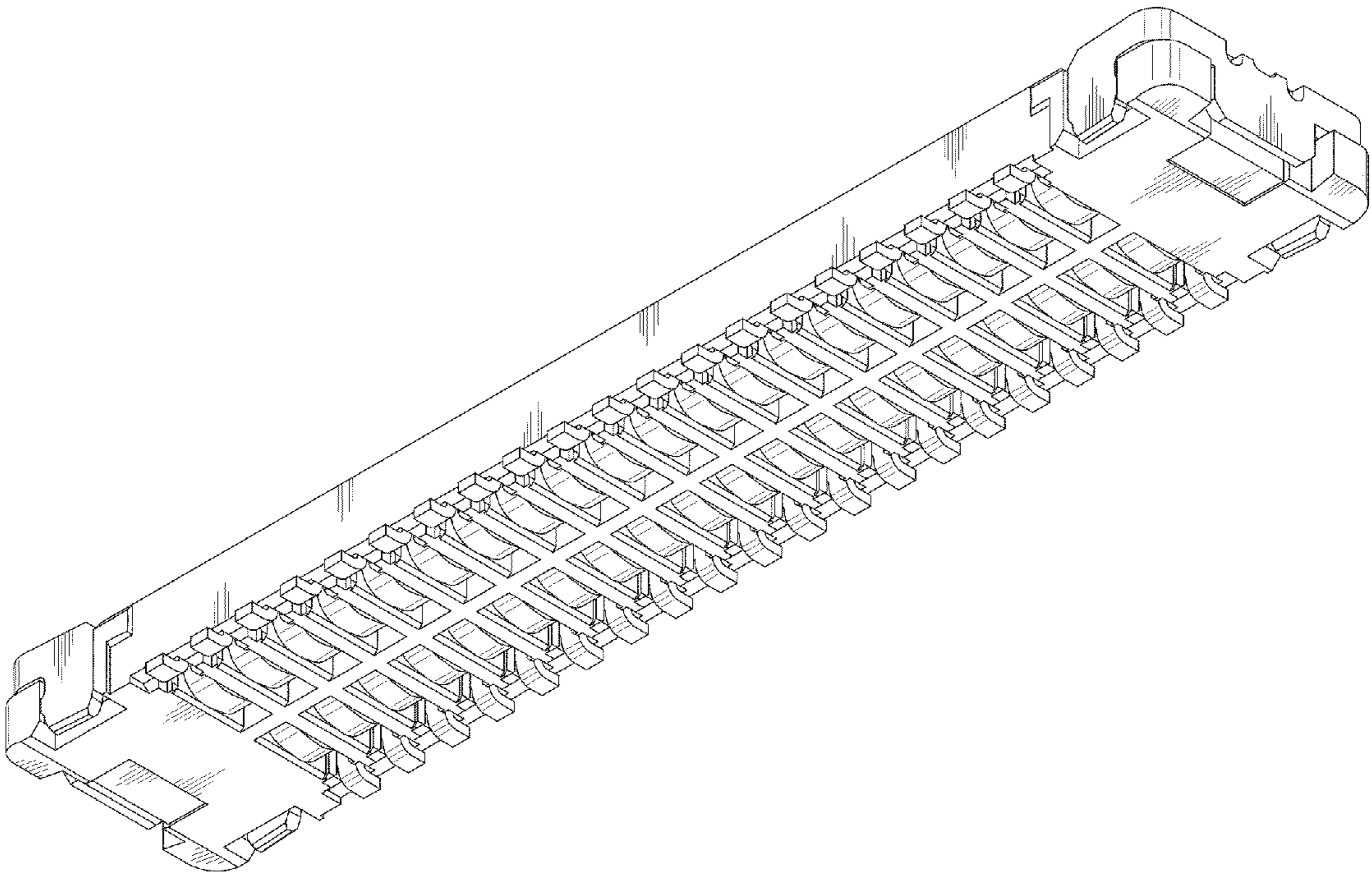


FIG.8