



US00D642533S

(12) **United States Design Patent**
Nishimura et al.

(10) **Patent No.:** **US D642,533 S**

(45) **Date of Patent:** **** Aug. 2, 2011**

(54) **ELECTRICAL CONNECTOR PART**

(75) Inventors: **Takayuki Nishimura**, Tokyo (JP);
Hiroaki Obikane, Tokyo (JP)

(73) Assignee: **Japan Aviation Electronics Industry, Limited**, Tokyo (JP)

(**) Term: **14 Years**

(21) Appl. No.: **29/383,421**

(22) Filed: **Jan. 18, 2011**

(30) **Foreign Application Priority Data**

Oct. 25, 2010 (JP) 2010-25508

(51) **LOC (9) Cl.** **13-03**

(52) **U.S. Cl.** **D13/147**

(58) **Field of Classification Search** D13/147,
D13/154, 184, 199; 439/78-79, 83, 108,
439/181, 607.01, 607.04, 607.05, 607.17,
439/607.25, 607.34, 74, 607.41, 607.53,
439/630, 660

See application file for complete search history.

(56) **References Cited**

U.S. PATENT DOCUMENTS

D528,987 S * 9/2006 Peng D13/147
D539,227 S * 3/2007 Yamada et al. D13/147

D562,770 S * 2/2008 Obikane D13/147
D576,103 S * 9/2008 Kojima et al. D13/147
D582,858 S * 12/2008 Hoshino et al. D13/147
D598,861 S * 8/2009 Hoshino et al. D13/147
D603,798 S * 11/2009 Obikane et al. D13/147
D603,801 S * 11/2009 Obikane et al. D13/147
D607,824 S * 1/2010 Takahashi et al. D13/147

* cited by examiner

Primary Examiner — Daniel Bui

(74) *Attorney, Agent, or Firm* — Cermak Nakajima LLP;
Tomoko Nakajima

(57) **CLAIM**

The ornamental design for an electrical connector part, as shown and described.

DESCRIPTION

FIG. 1 is a top plan view thereof an electrical connector part showing our new design;

FIG. 2 is a rear elevational view thereof; and

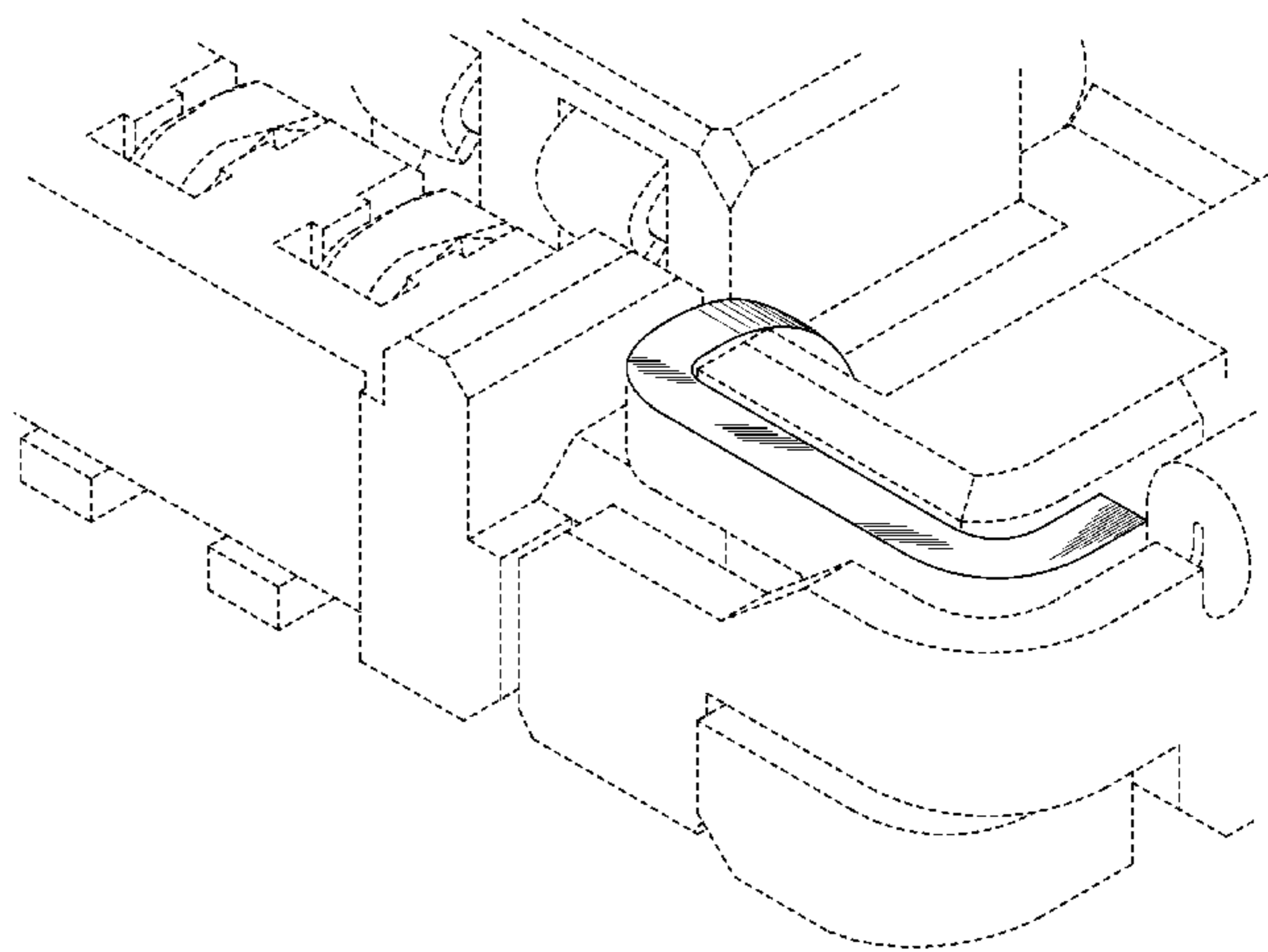
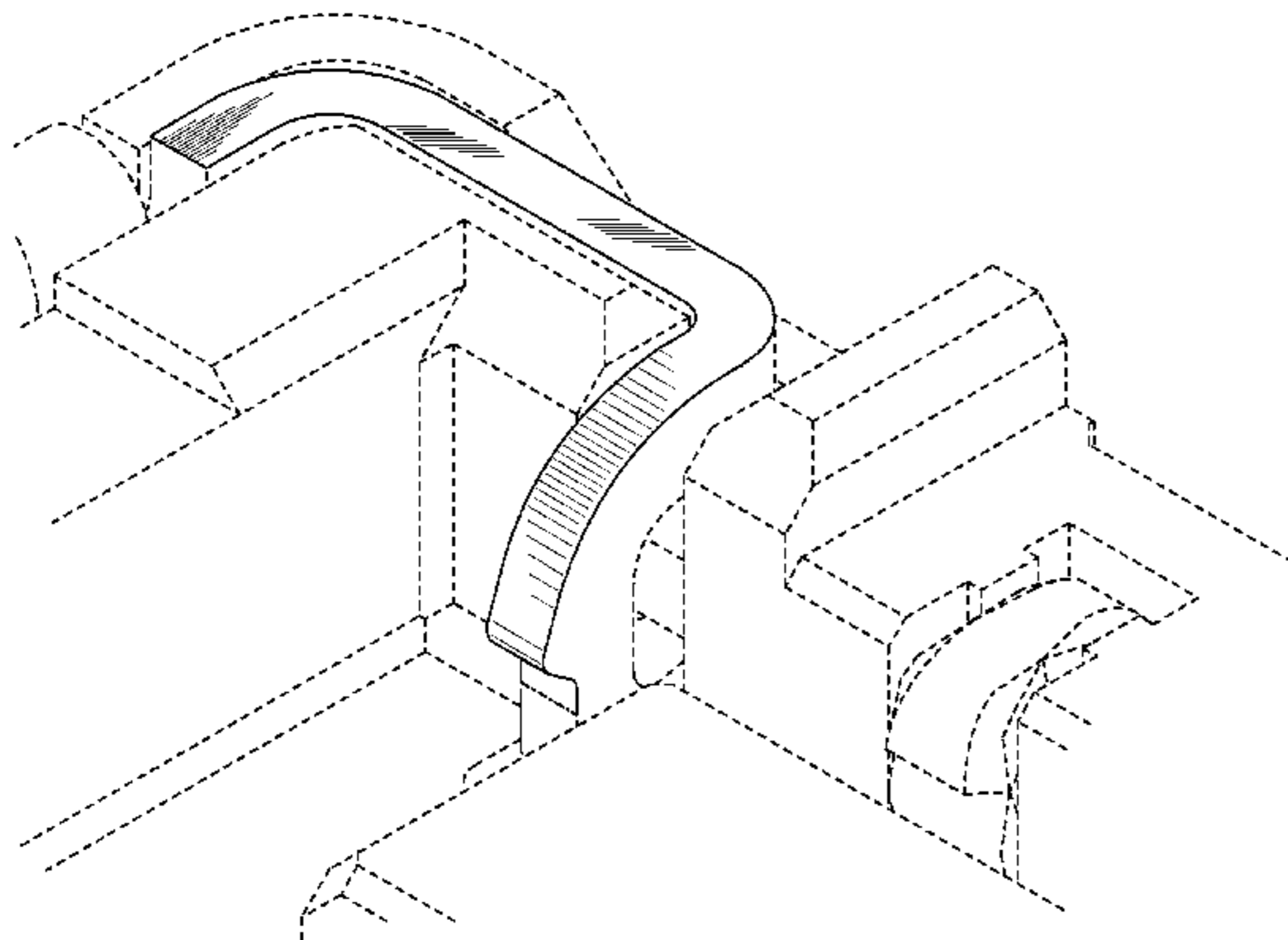
FIG. 3 is a left side elevational view thereof.

FIG. 4 is a partially enlarged top and front perspective view thereof; and,

FIG. 5 is a partially enlarged top and rear perspective view thereof.

The broken line shown in the figure drawings is included for the purpose of illustrating environment and forms no part of the claimed design.

1 Claim, 5 Drawing Sheets



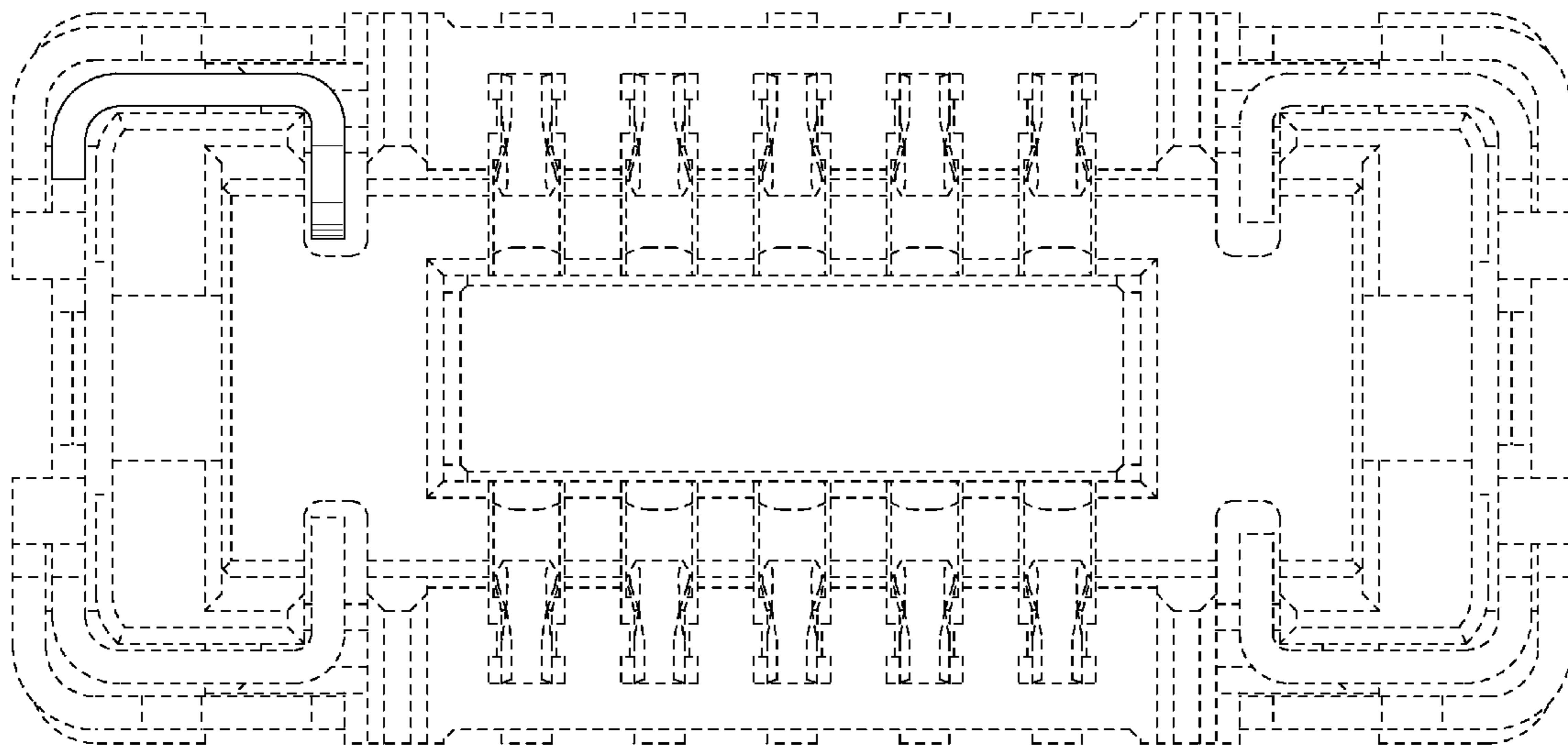


FIG. 1

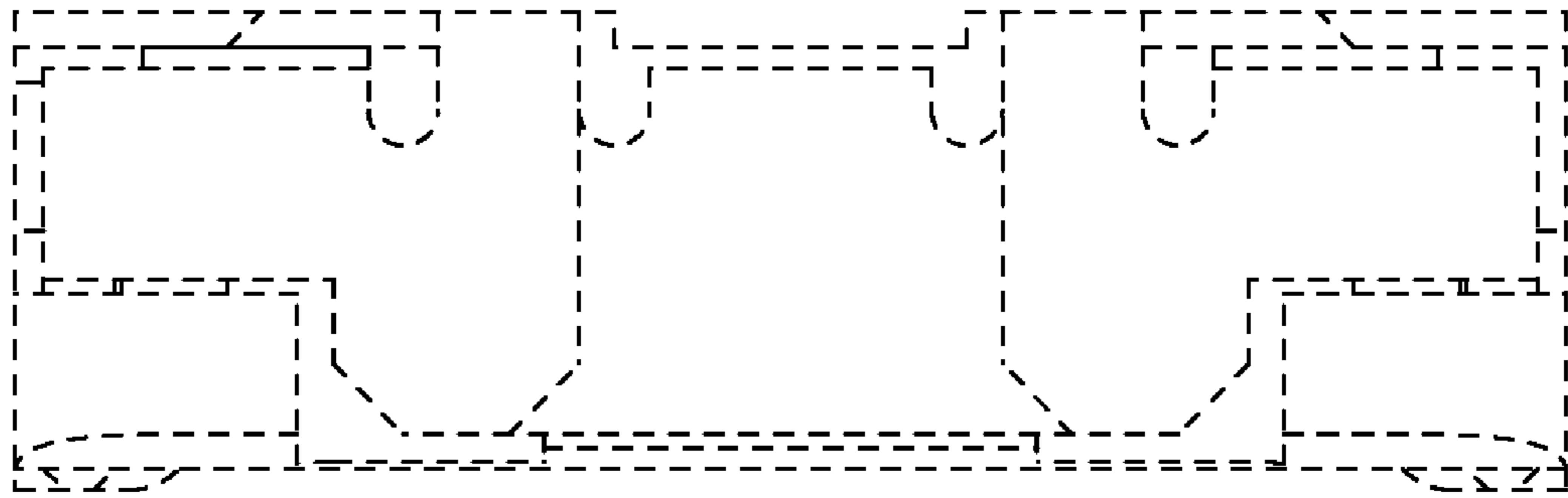


FIG. 2

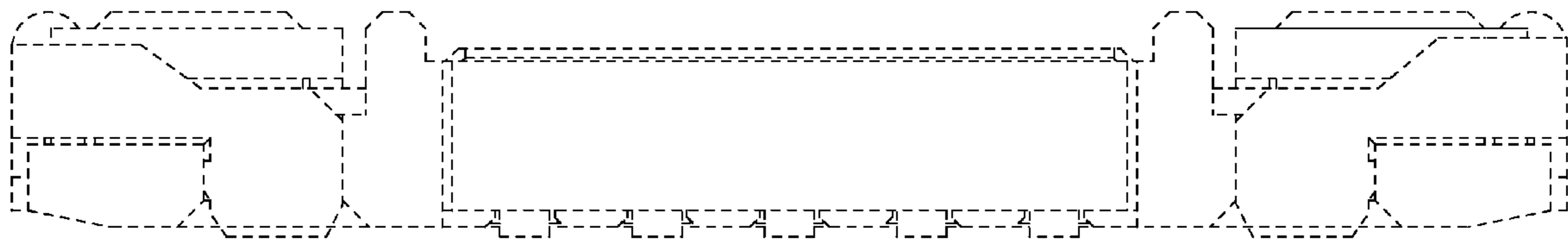


FIG.3

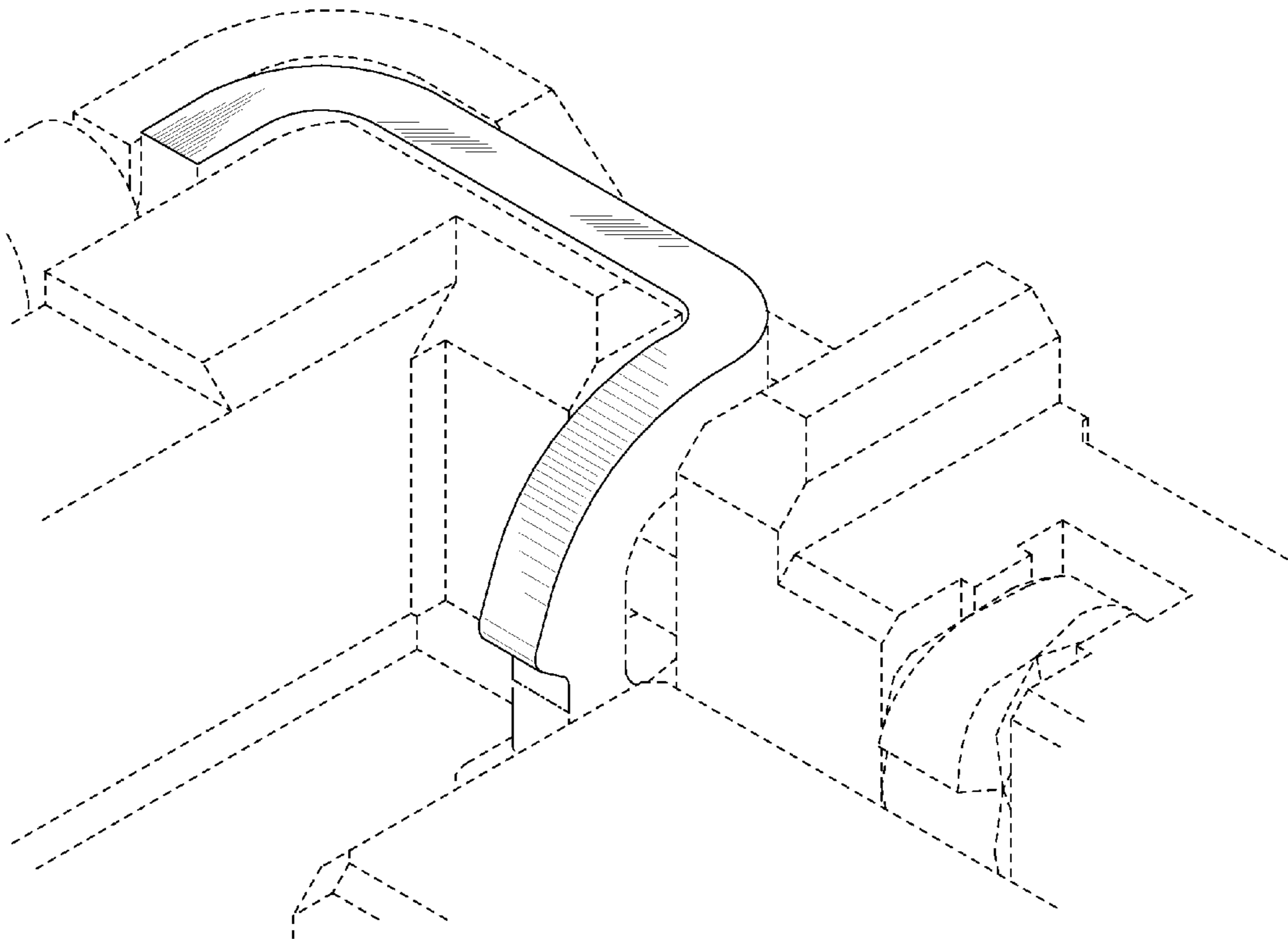


FIG.4

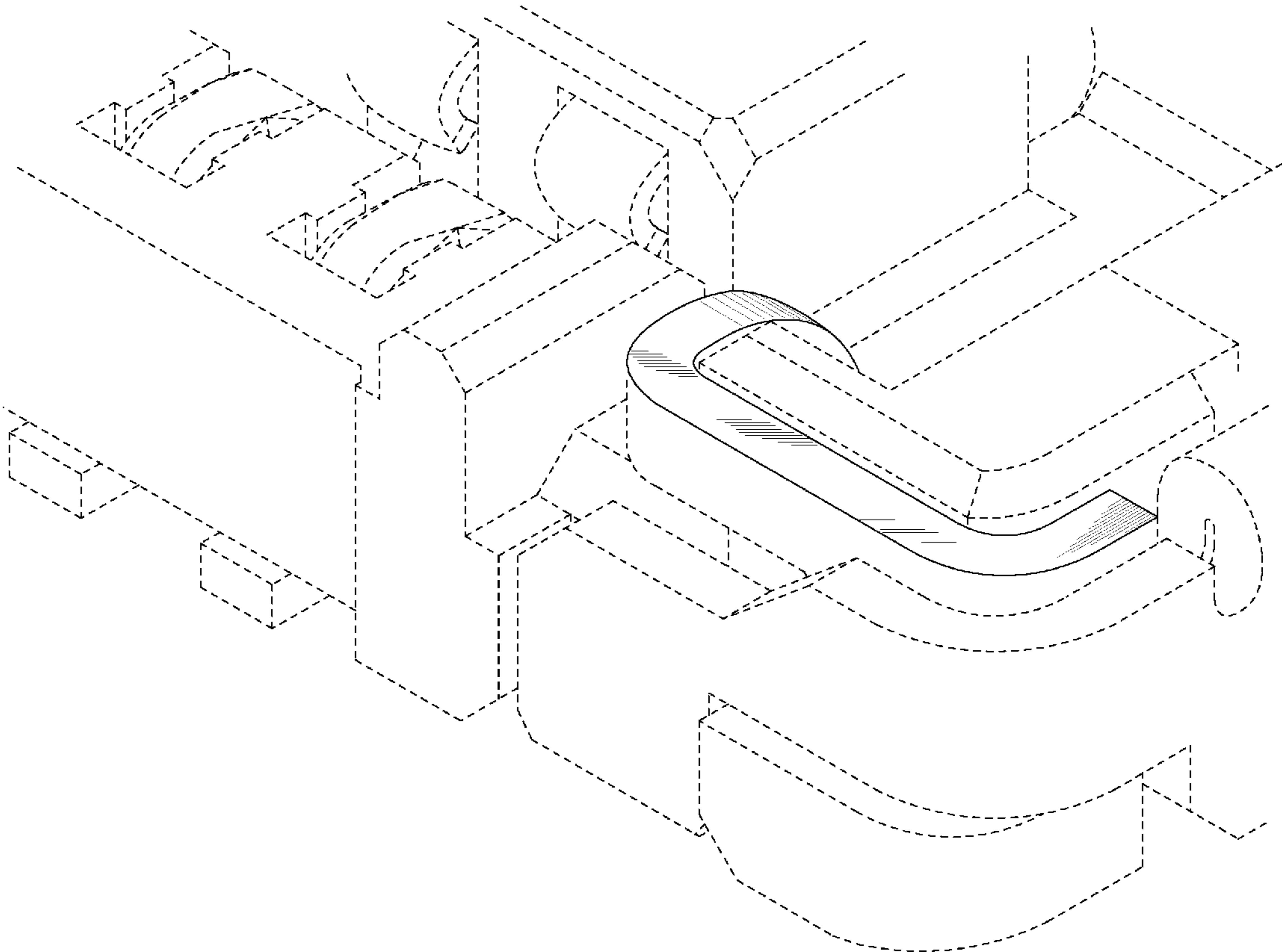


FIG.5