



US00D642529S

(12) **United States Design Patent**  
**Su et al.**

(10) **Patent No.:** **US D642,529 S**

(45) **Date of Patent:** **\*\* Aug. 2, 2011**

(54) **ELECTRIC OUTLET ASSEMBLY WITH USB PORT**

(75) Inventors: **Ping-Sheng Su**, Tu-Cheng (TW);  
**Xiao-Gang Wu**, Kunshan (CN)

(73) Assignee: **Hon Hai Precision Ind. Co., Ltd.**, New Taipei (TW)

(\*\*) Term: **14 Years**

(21) Appl. No.: **29/350,241**

(22) Filed: **Nov. 13, 2009**

(30) **Foreign Application Priority Data**

May 14, 2009 (CN) ..... 2009 3 0304350

(51) **LOC (9) Cl.** ..... **13-03**

(52) **U.S. Cl.** ..... **D13/139.8; D13/137.2**

(58) **Field of Classification Search** ... D13/137.1-137.4,  
D13/139.1-139.8, 160, 162, 164, 178, 184,  
D13/199; 361/118, 119; 439/106-108, 188,  
439/535, 650-654

See application file for complete search history.

(56) **References Cited**

**U.S. PATENT DOCUMENTS**

D284,758 S *	7/1986	Maloney	.....	D13/137.3
D284,852 S *	7/1986	Maloney	.....	D13/139.8
D356,294 S *	3/1995	Fladung	.....	D13/139.8
D380,733 S *	7/1997	Parshad	.....	D13/139.6
D435,516 S *	12/2000	Stekelenburg	.....	D13/139.8
D436,923 S *	1/2001	Stekelenburg	.....	D13/139.8
D440,540 S *	4/2001	Loh	.....	D13/139.8
D443,591 S *	6/2001	Tong et al.	.....	D13/139.8

D467,873 S *	12/2002	Yu	.....	D13/137.2
D495,657 S *	9/2004	Lee	.....	D13/137.2
D514,067 S *	1/2006	Lee	.....	D13/137.2
D549,654 S *	8/2007	Kent et al.	.....	D13/139.6
D581,870 S *	12/2008	Zhou	.....	D13/137.2
D581,873 S *	12/2008	Zhou	.....	D13/139.6
D582,346 S *	12/2008	Zhou	.....	D13/137.2
D588,065 S *	3/2009	Wadsworth et al.	.....	D13/137.2
D626,071 S *	10/2010	Su et al.	.....	D13/139.8
D628,157 S *	11/2010	Su et al.	.....	D13/139.8

\* cited by examiner

*Primary Examiner* — Rosemary K Tarcza

(74) *Attorney, Agent, or Firm* — Wei Te Chung; Andrew C. Cheng; Ming Chieh Chang

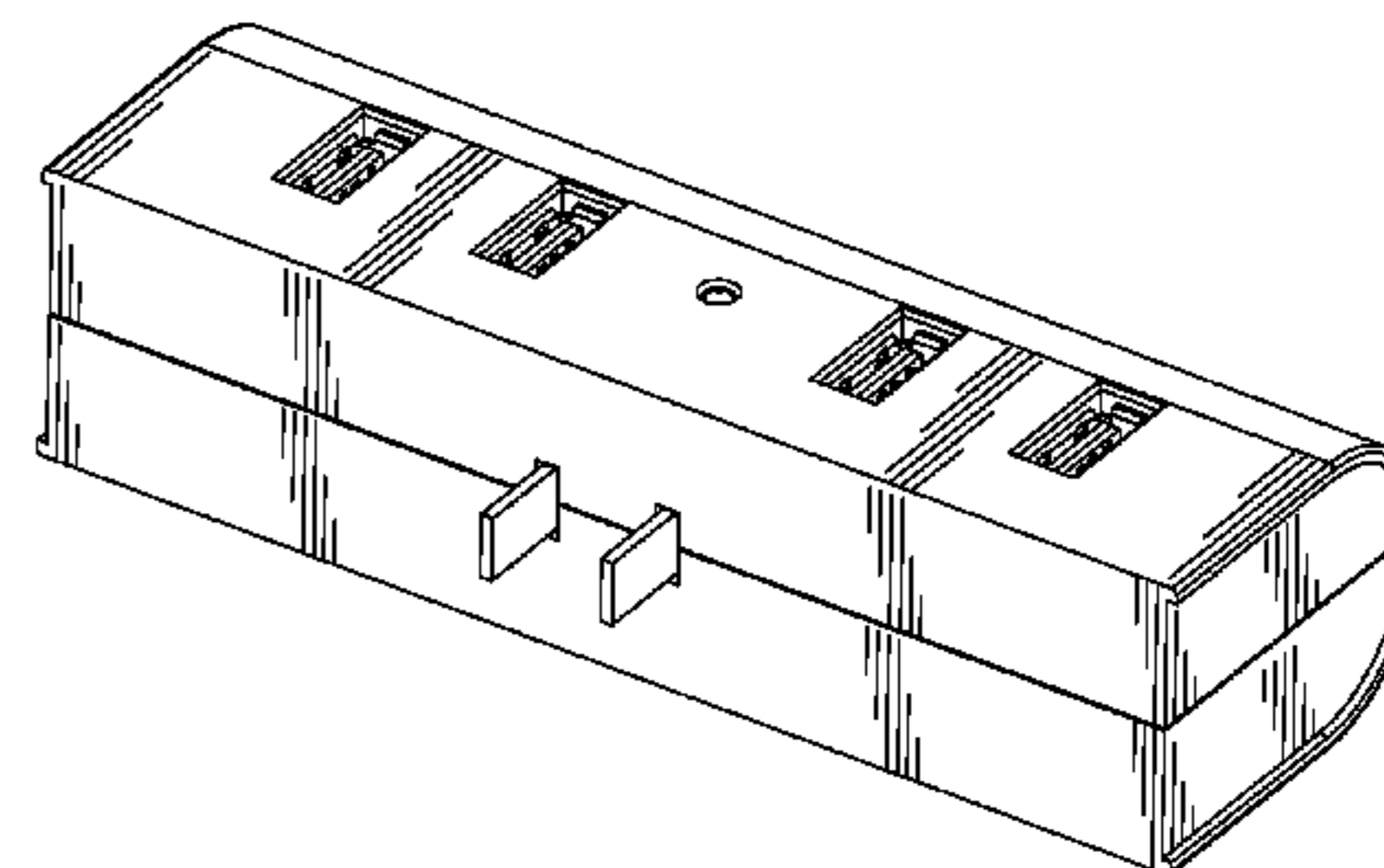
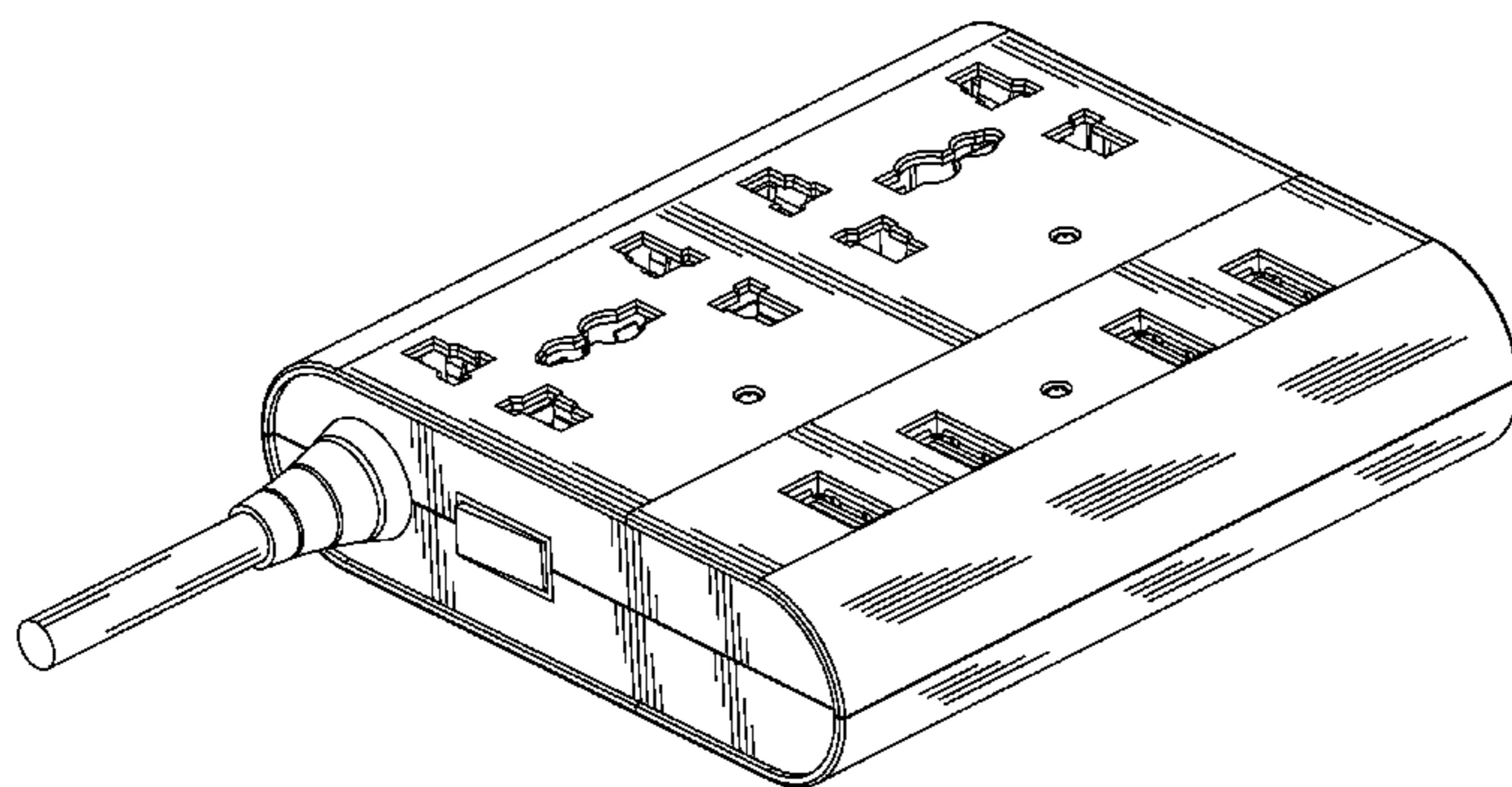
(57) **CLAIM**

The ornamental design for an electric outlet assembly with USB port, as shown.

**DESCRIPTION**

FIG. 1 is a front, top and left side perspective view of an electric outlet assembly with USB port;  
FIG. 2 is a front elevational view thereof;  
FIG. 3 is a rear elevational view thereof;  
FIG. 4 is a left side elevational view thereof;  
FIG. 5 is a right side elevational view thereof;  
FIG. 6 is a top plan view thereof;  
FIG. 7 is a bottom plan view thereof;  
FIG. 8 is a front, top and left side perspective view of a first part of an electric outlet assembly with USB port, shown separately for ease of illustration; and,  
FIG. 9 is a left, top and rear side perspective view of a second part of an electric outlet assembly with USB port, shown separately for ease of illustration.

**1 Claim, 9 Drawing Sheets**



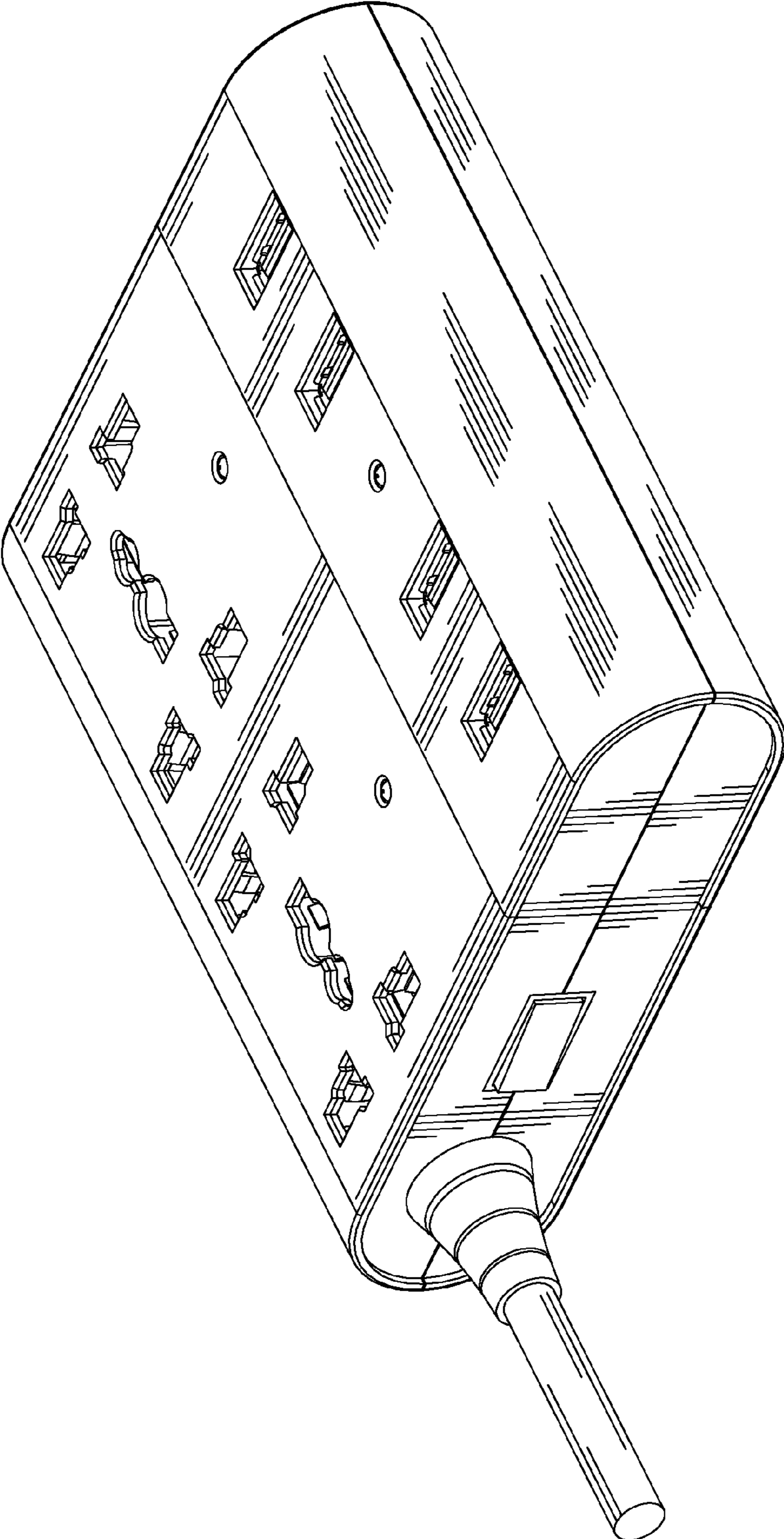


FIG. 1

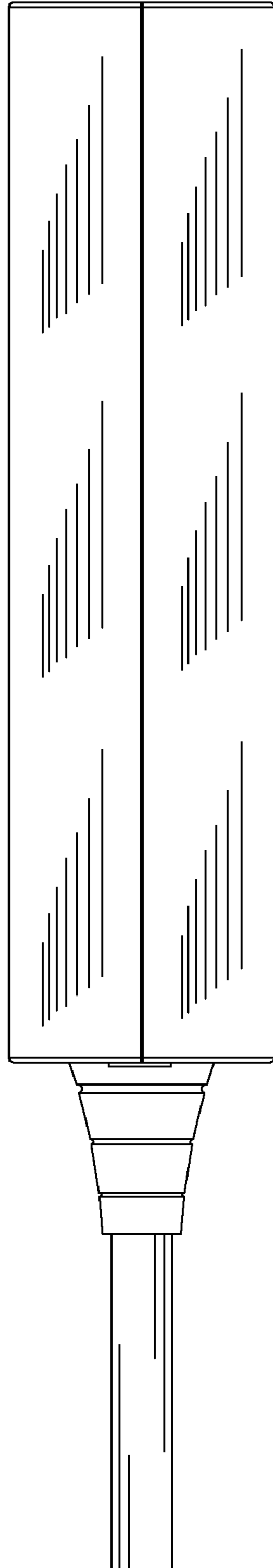


FIG. 2

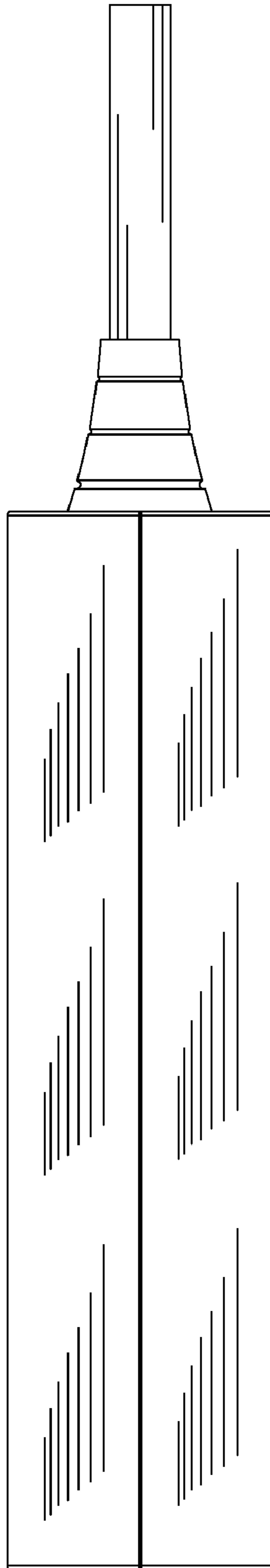


FIG. 3

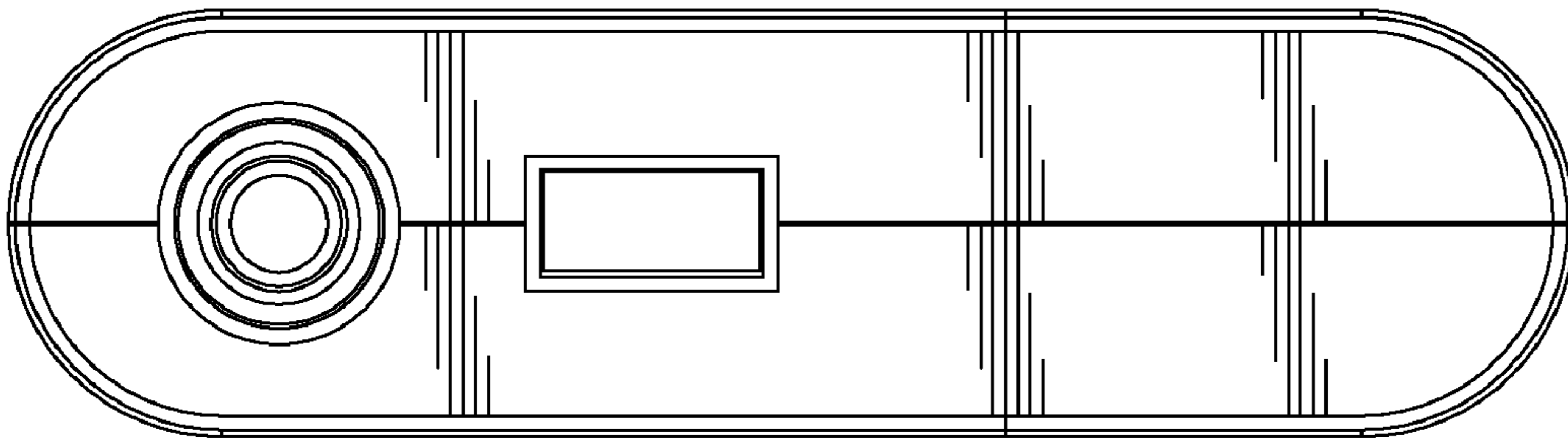


FIG. 4

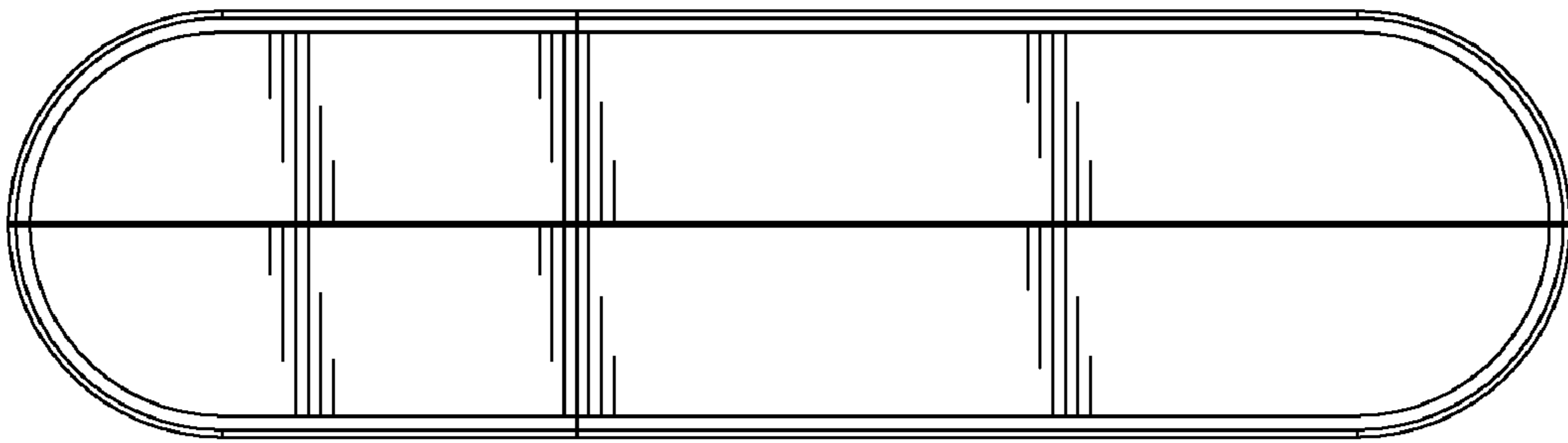


FIG. 5

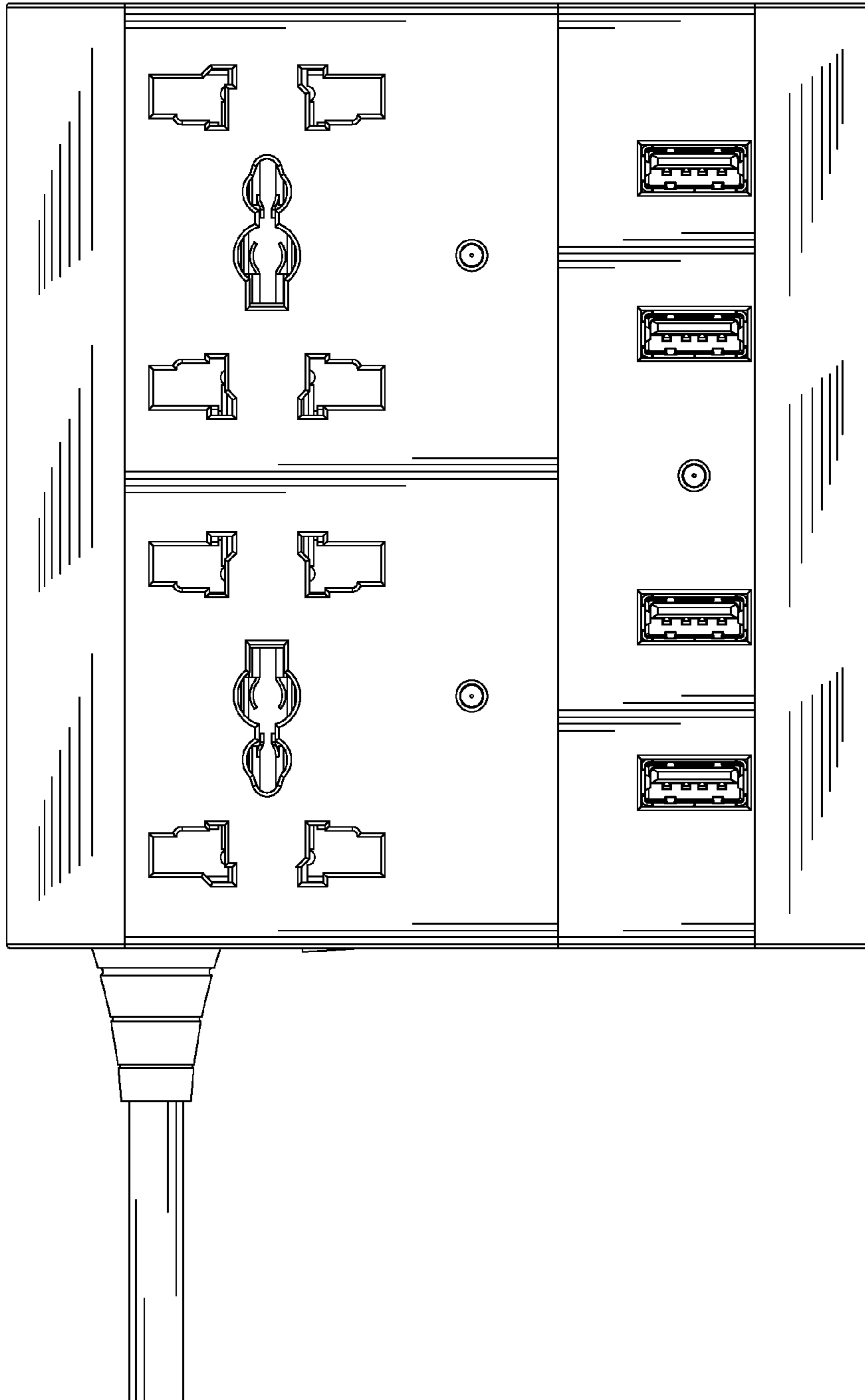


FIG. 6

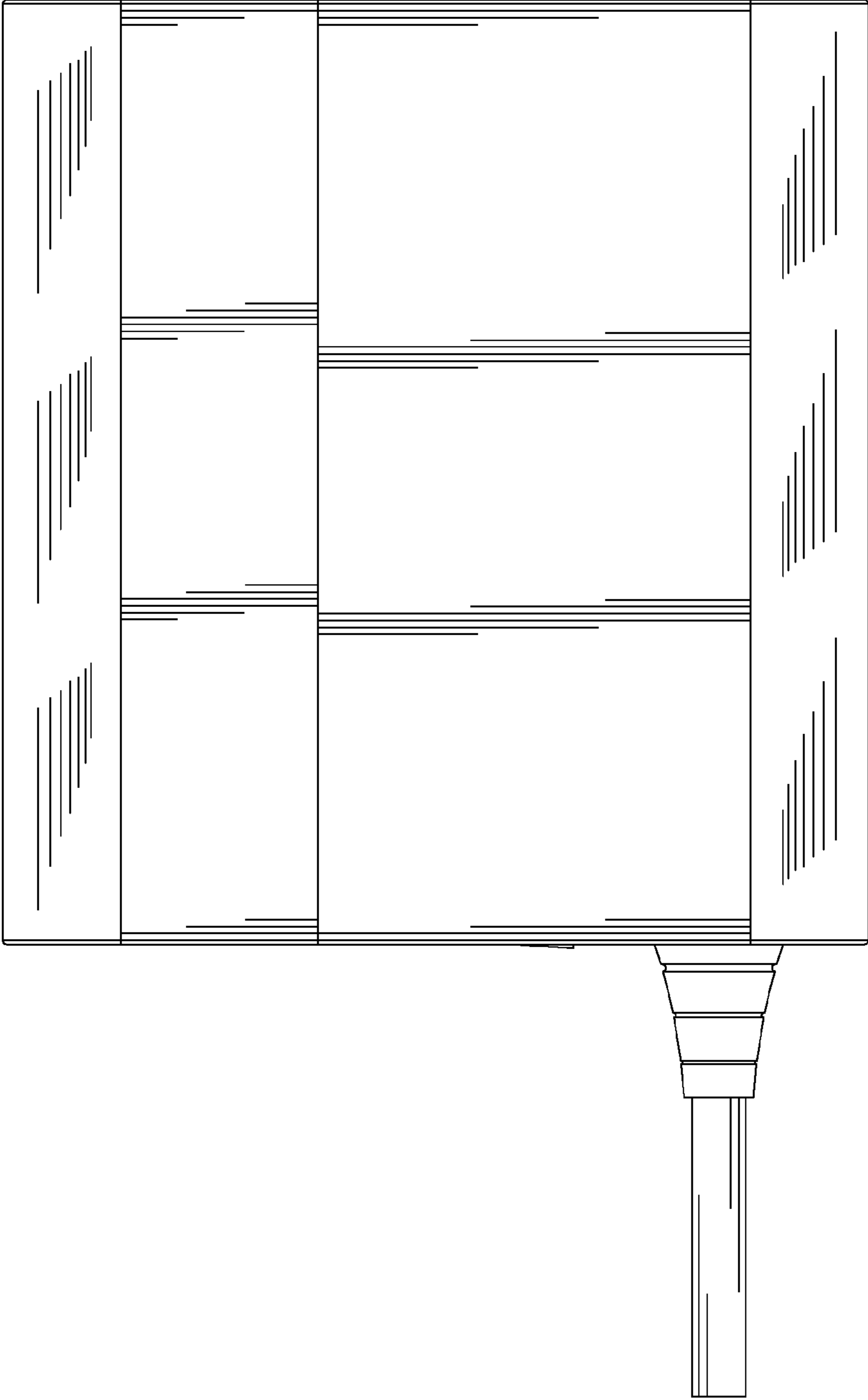


FIG. 7



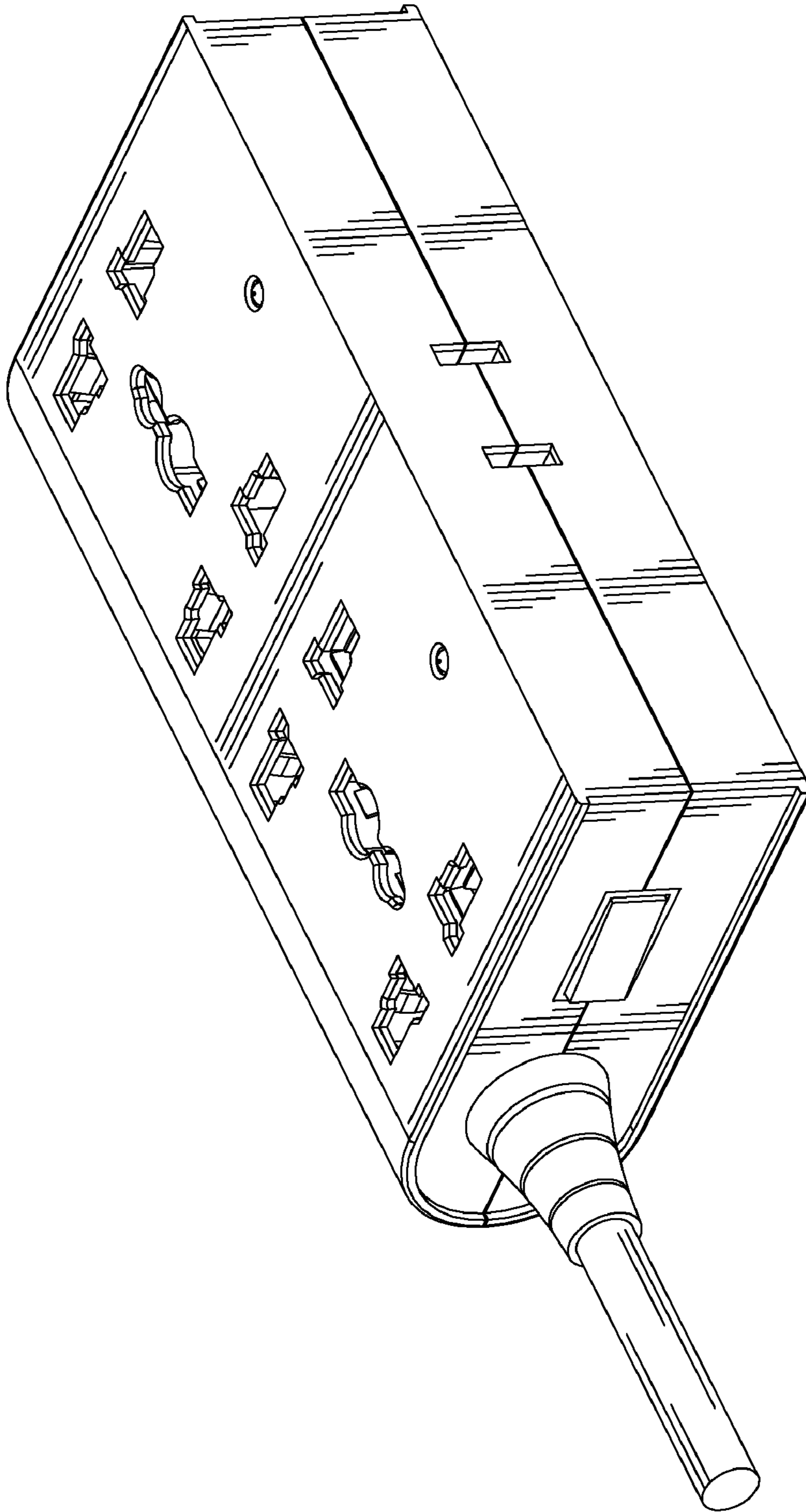


FIG. 8

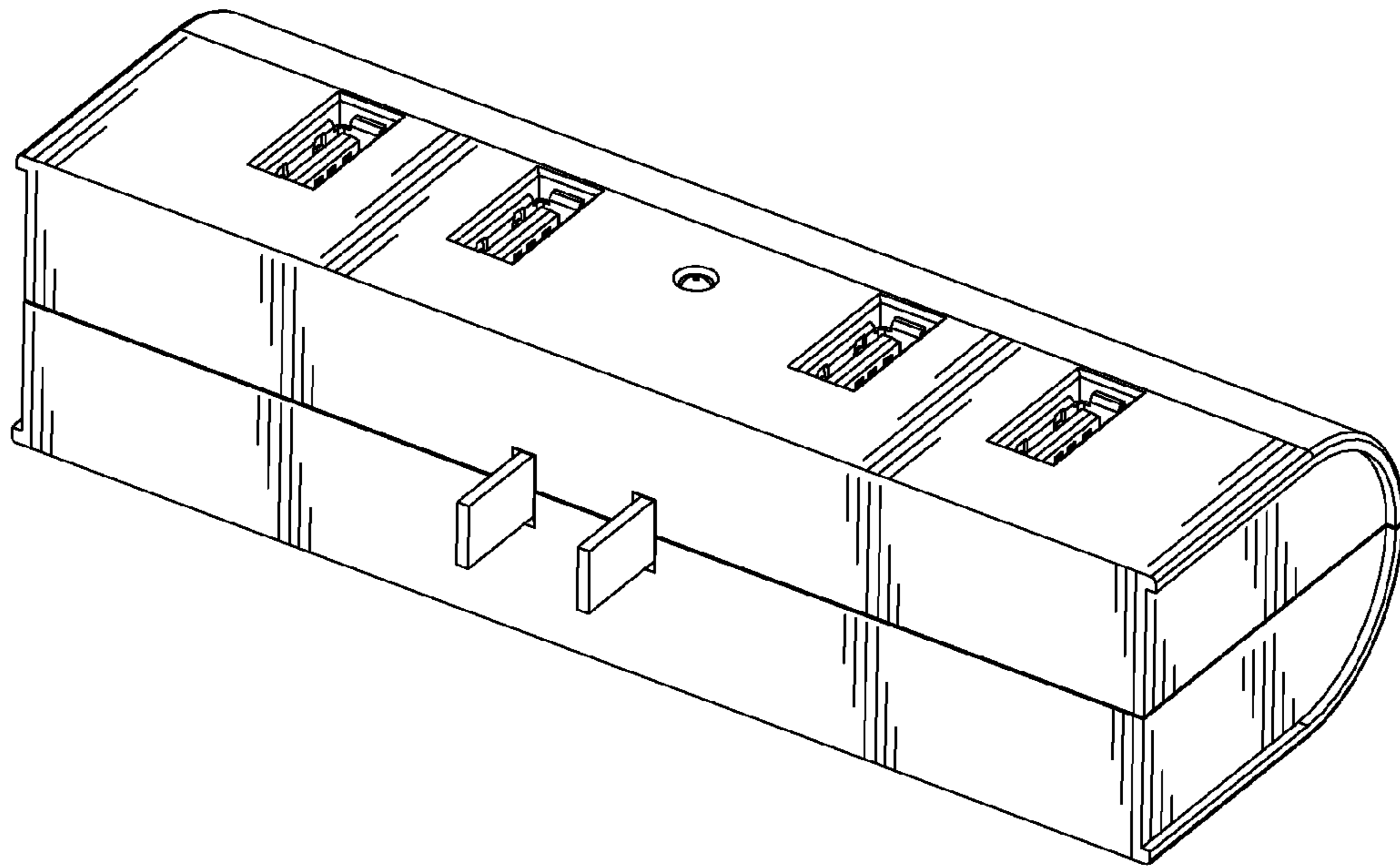


FIG. 9