



US00D642528S

(12) **United States Design Patent**  
**Gravolin et al.**

(10) **Patent No.:** **US D642,528 S**

(45) **Date of Patent:** **\*\* Aug. 2, 2011**

(54) **ELECTRICAL CONNECTOR**

(76) Inventors: **Dennis Ronald Gravolin**, Maclean New South Wales (AU); **Sandra Lorraine Gravolin**, Maclean New South Wales (AU)

(\*\*) Term: **14 Years**

(21) Appl. No.: **29/379,571**

(22) Filed: **Nov. 22, 2010**

(30) **Foreign Application Priority Data**

Sep. 28, 2010 (CN) ..... 2010 3 0534990

(51) **LOC (9) Cl.** ..... **13-03**

(52) **U.S. Cl.** ..... **D13/133**

(58) **Field of Classification Search** ..... D13/133, D13/146-147, 154, 156, 184; 439/180, 252, 439/278, 280, 374, 375, 378, 488, 489, 491, 439/500, 525, 529, 533, 892, 894  
See application file for complete search history.

(56) **References Cited**

**U.S. PATENT DOCUMENTS**

D574,773 S \* 8/2008 Sutter ..... D13/133  
D576,557 S \* 9/2008 Hariharesan et al. .... D13/154

D578,065 S \* 10/2008 Baker et al. .... D13/133  
D608,285 S \* 1/2010 Sato et al. .... D13/146  
D612,807 S \* 3/2010 Mancini et al. .... D13/133

\* cited by examiner

*Primary Examiner* — Daniel Bui

(74) *Attorney, Agent, or Firm* — Shlesinger, Arkwright & Garvey LLP

(57) **CLAIM**

The ornamental design for an electrical connector, as shown and described.

**DESCRIPTION**

FIG. 1 is a perspective top side and front end view of an electrical connector, showing our new design;

FIG. 2 is a perspective bottom side and rear end view of our new design;

FIG. 3 is a top plan view of FIG. 1;

FIG. 4 is a bottom plan view of FIG. 1;

FIG. 5 is a front end of FIG. 1;

FIG. 6 is a rear end view of FIG. 1;

FIG. 7 is a left side view of FIG. 1; and,

FIG. 8 is right side view of FIG. 1.

The broken line portion of the figure drawings is included for the purpose of illustrating environment and forms no part of the claimed design.

**1 Claim, 3 Drawing Sheets**

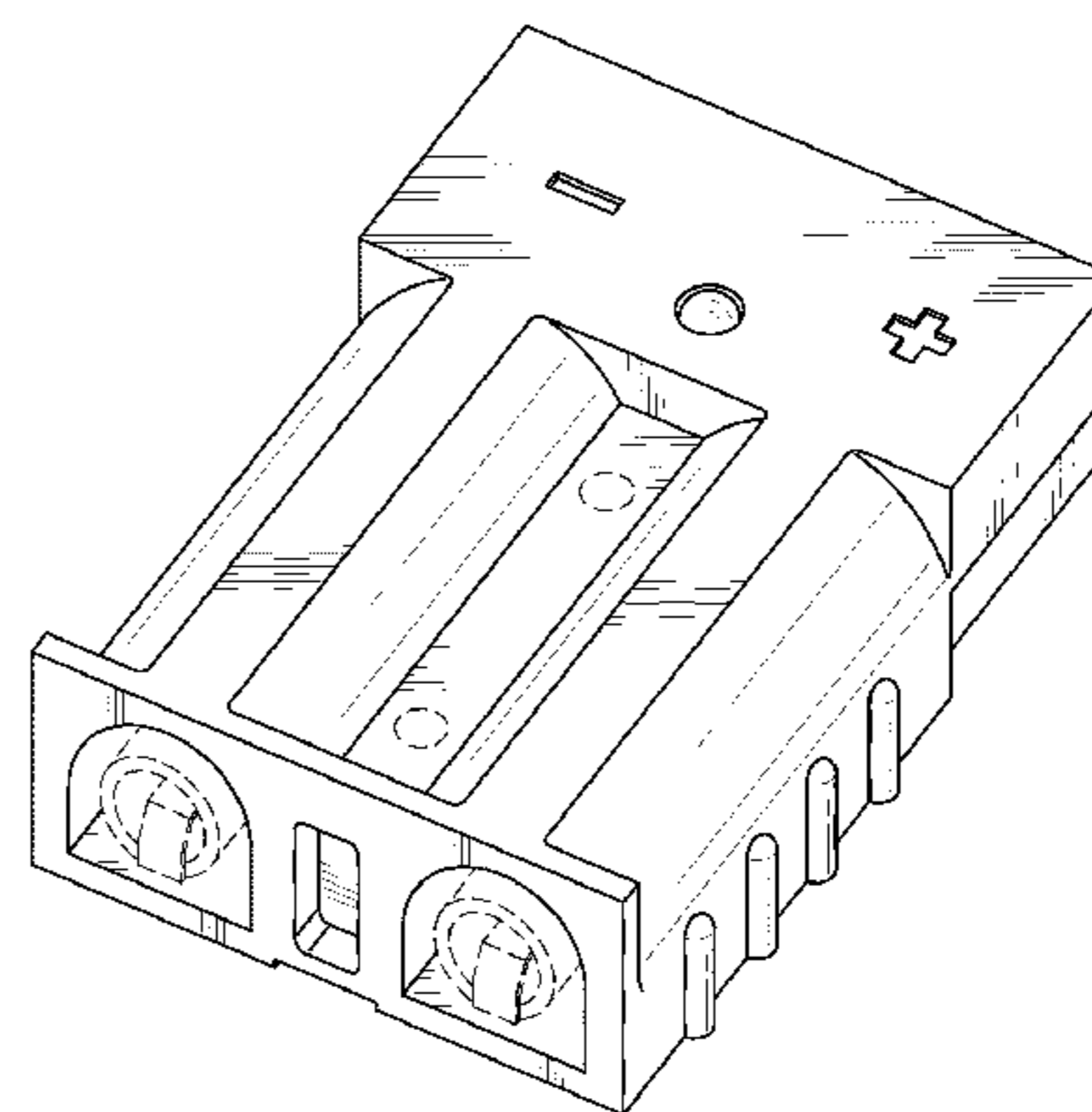
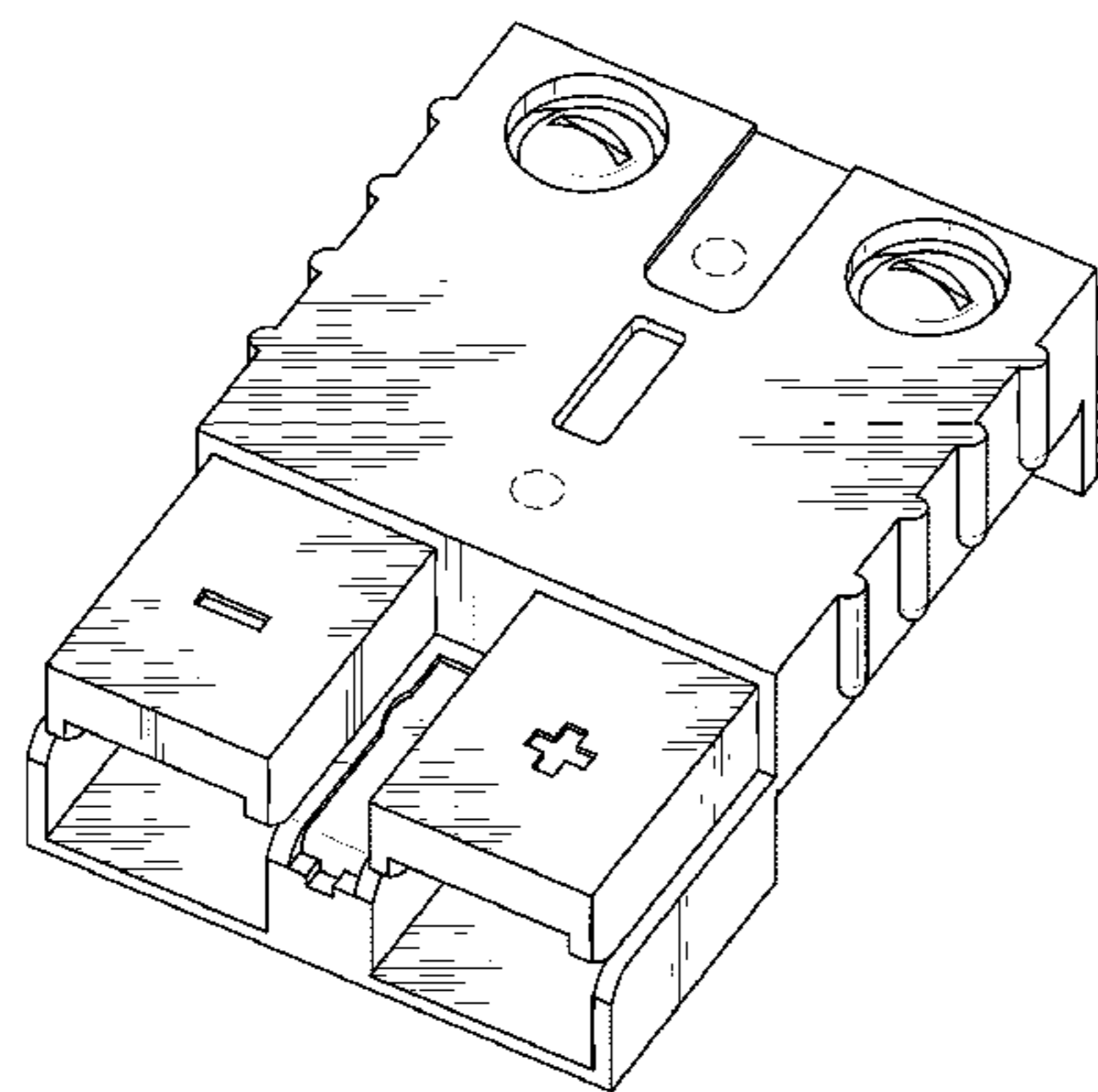


FIG. 1

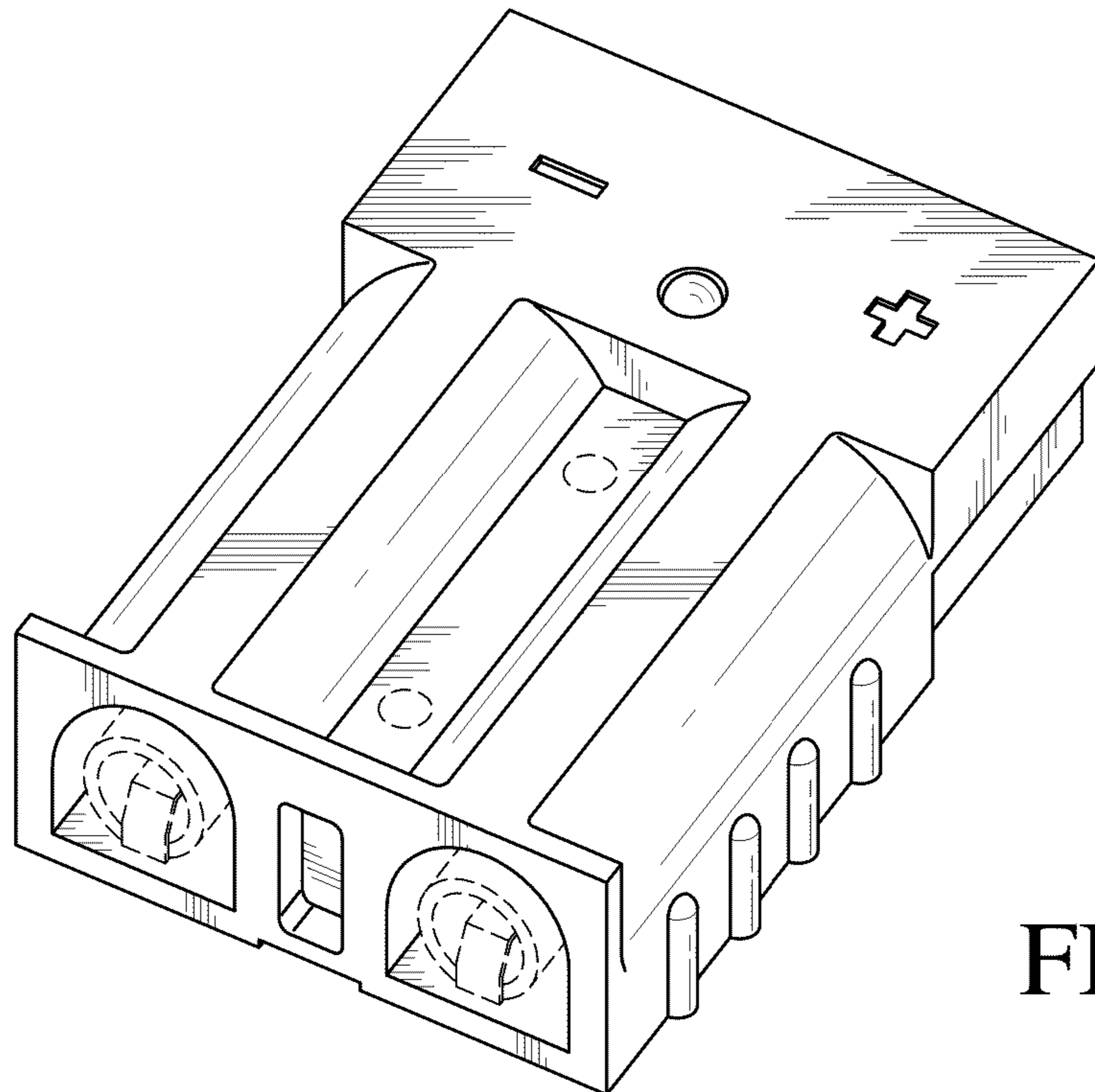
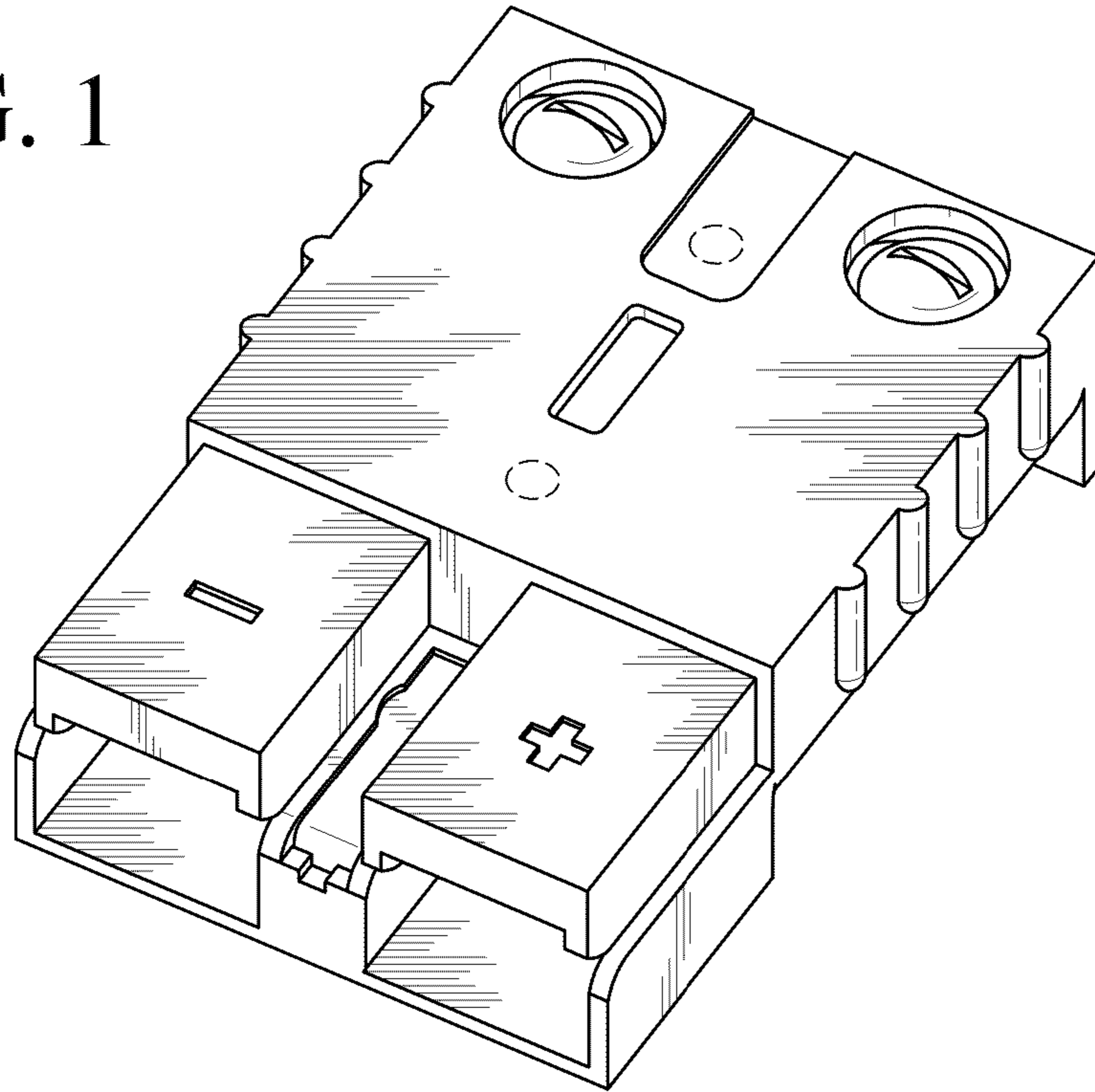


FIG. 2

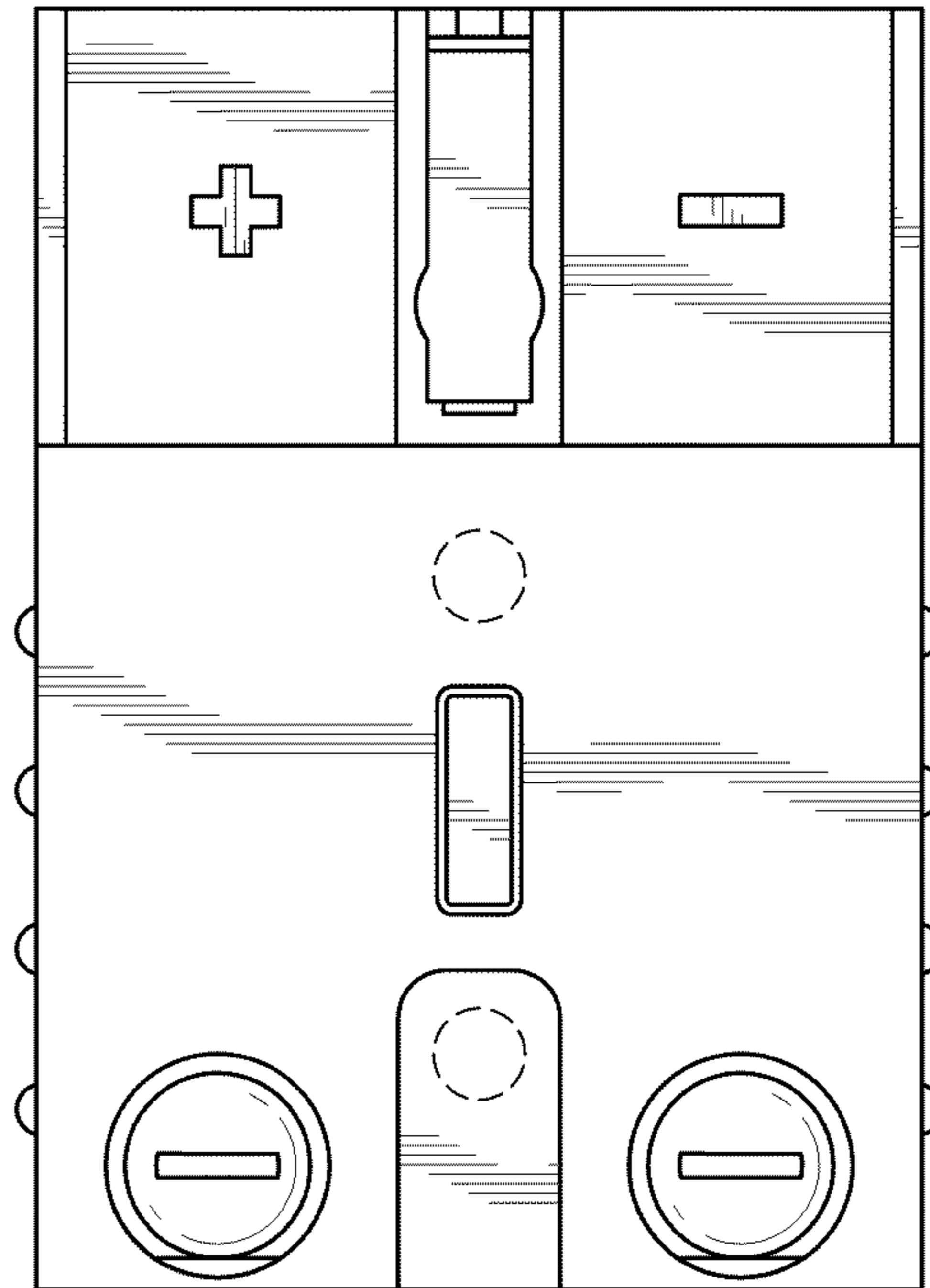


FIG. 3

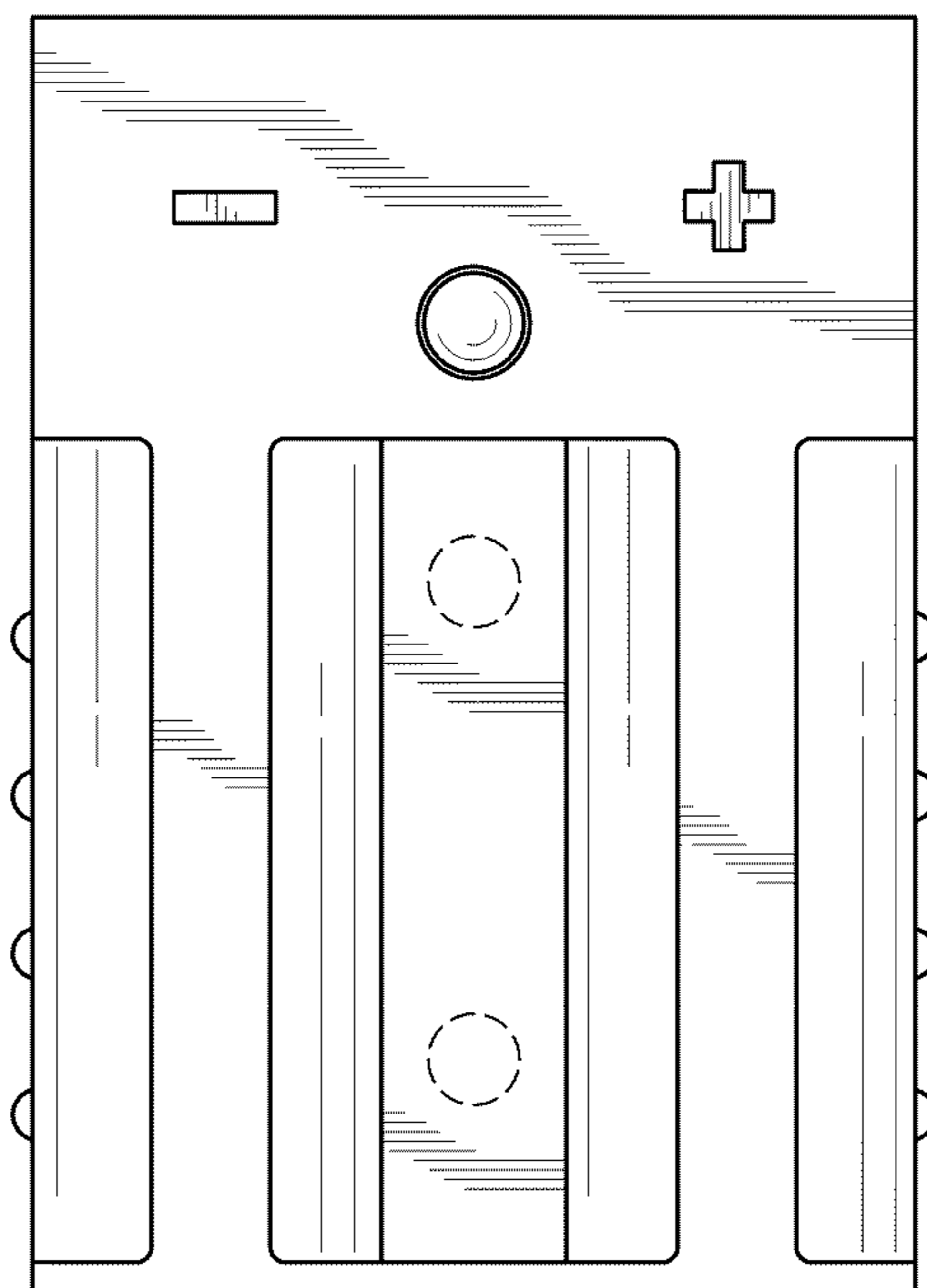


FIG. 4

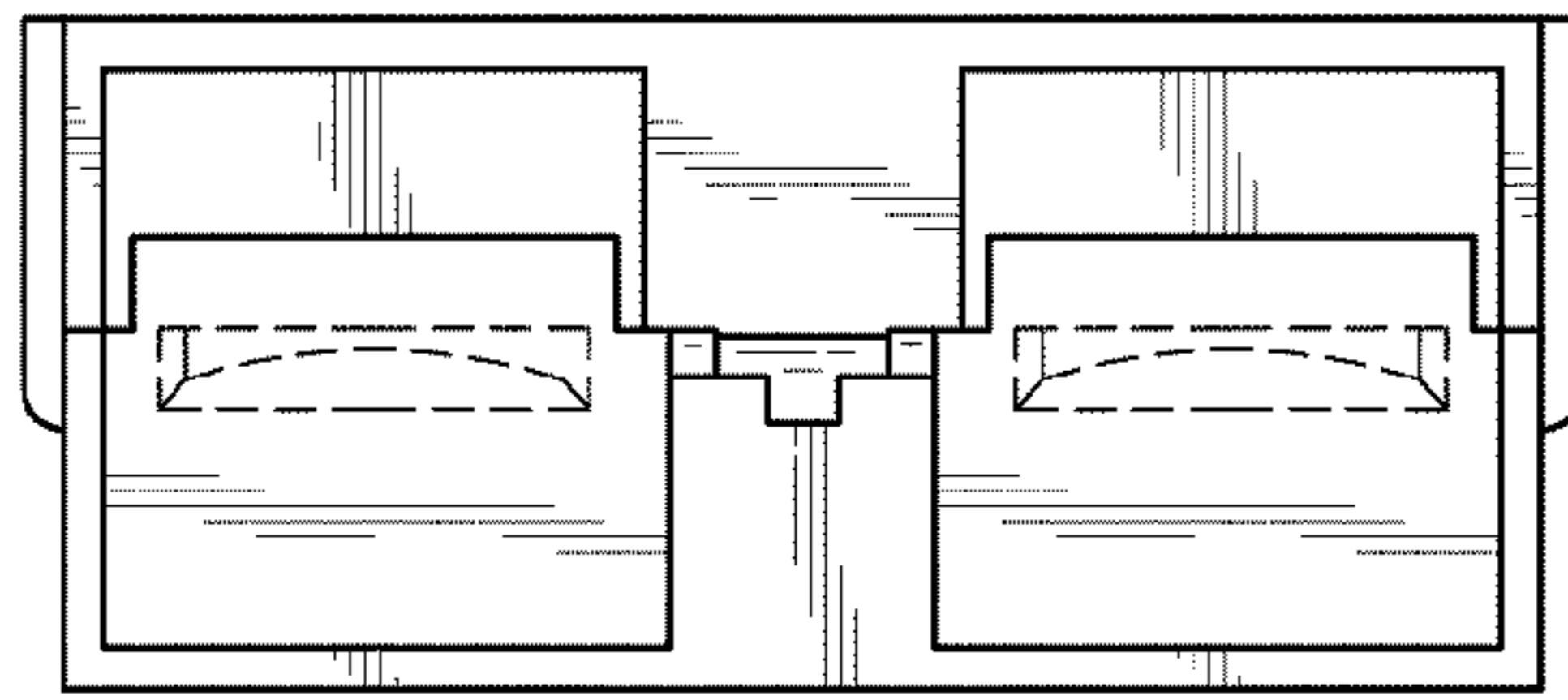


FIG. 5

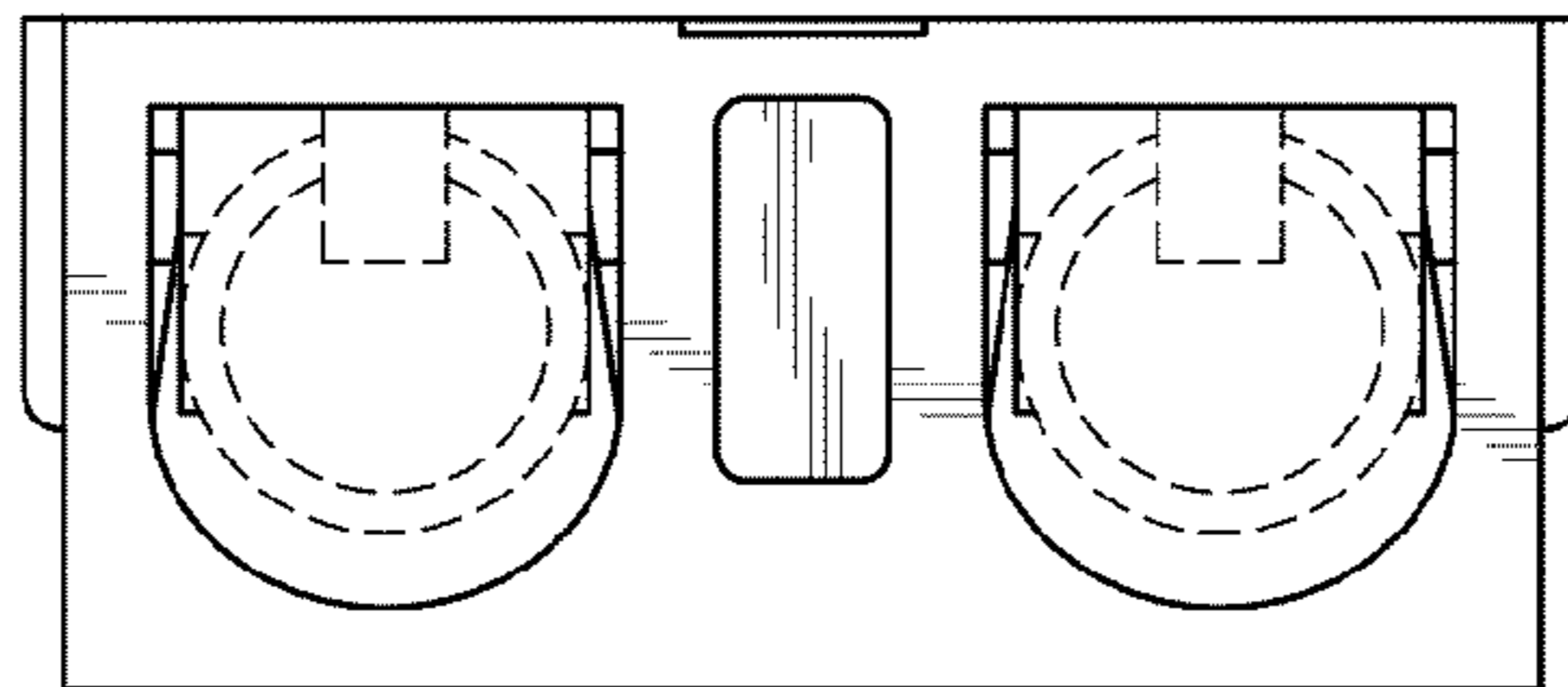


FIG. 6

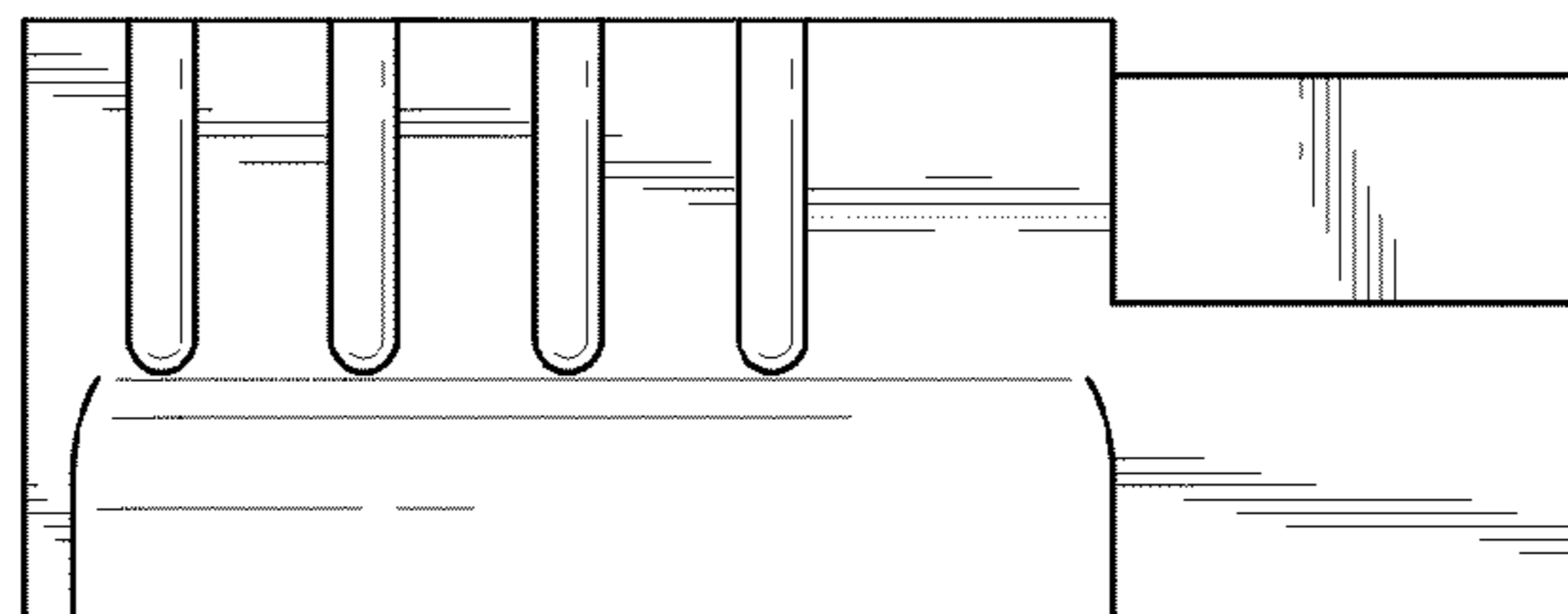


FIG. 7

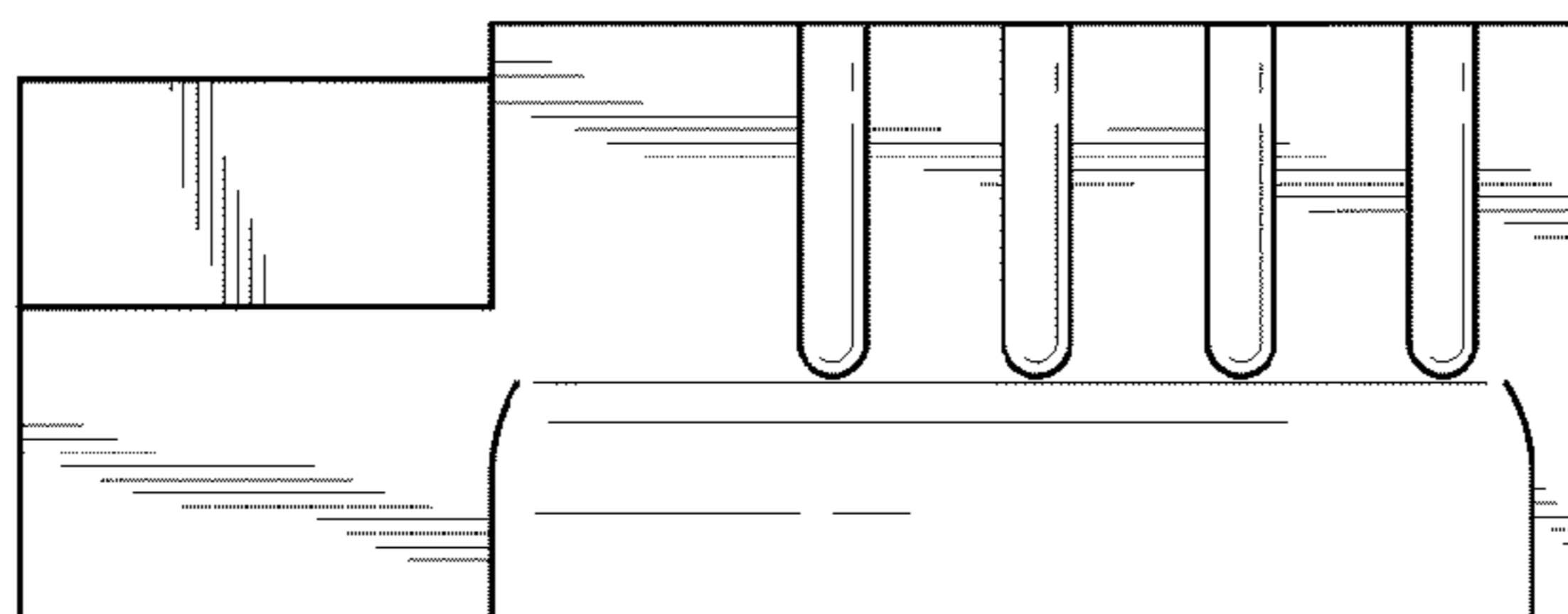


FIG. 8