



US00D642524S

(12) **United States Design Patent**
Fitch et al.

(10) **Patent No.:** **US D642,524 S**

(45) **Date of Patent:** **** Aug. 2, 2011**

(54) **POWER ADAPTER**

(75) Inventors: **Jonathan A Fitch**, Syracuse, NY (US);
Donwoong Kang, Camillus, NY (US)

(73) Assignee: **Eveready Battery Company, Inc.**, St.
Louis, MO (US)

(**) Term: **14 Years**

(21) Appl. No.: **29/382,480**

(22) Filed: **Jan. 4, 2011**

(51) **LOC (9) Cl.** **13-02**

(52) **U.S. Cl.** **D13/110**

(58) **Field of Classification Search** D13/110,
D13/107, 108, 123, 133, 137.1, 138.1, 199;
174/53, 54, 59, 61; 307/150, 151; 320/111,
320/114; 363/132, 140, 142, 143, 146; 439/105,
439/131, 166, 171-173, 218, 518, 692, 956
See application file for complete search history.

(56) **References Cited**

U.S. PATENT DOCUMENTS

D338,188	S	*	8/1993	Lee et al.	D13/110
5,613,863	A	*	3/1997	Klaus et al.	439/131
5,973,948	A	*	10/1999	Hahn et al.	363/146
D416,226	S	*	11/1999	Lohrding et al.	D13/110
D432,497	S	*	10/2000	Totsuka et al.	D13/110
D434,378	S	*	11/2000	Ullmann	D13/138.1
D452,842	S	*	1/2002	Kajiwara et al.	D13/110

D456,008	S	*	4/2002	Kawanobe et al.	D13/110
6,845,023	B2	*	1/2005	Philips et al.	363/132
D562,766	S	*	2/2008	Yang	D13/110

* cited by examiner

Primary Examiner — Stella Reid

Assistant Examiner — Derrick Holland

(74) *Attorney, Agent, or Firm* — Michael C. Pophal

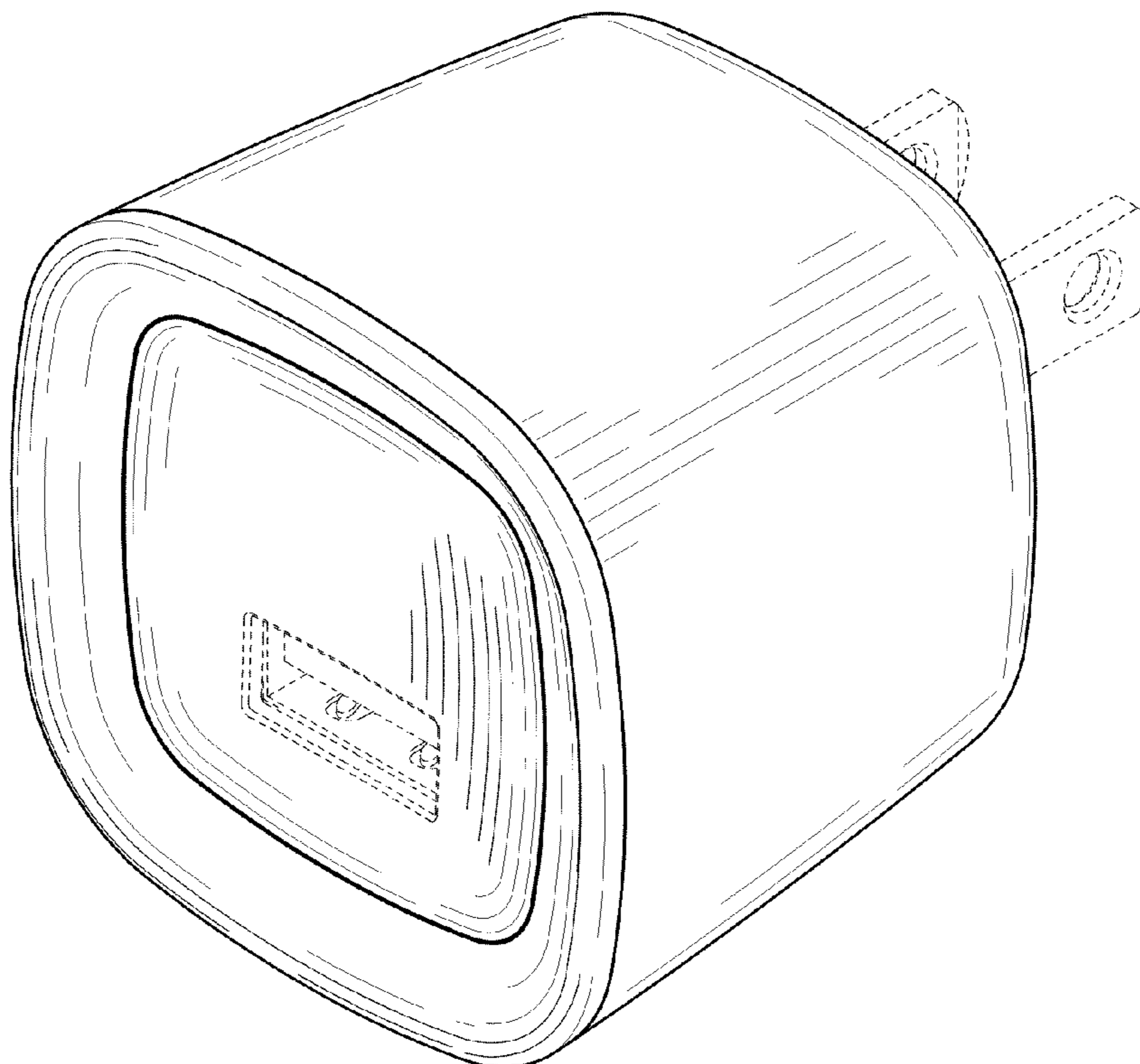
(57) **CLAIM**

We claim the ornamental design for a power adapter, as shown and described.

DESCRIPTION

FIG. 1 is a front perspective view of the design.
FIG. 2 is a bottom perspective view of the design.
FIG. 3 is a top view of the design.
FIG. 4 is a bottom view of the design.
FIG. 5 is a left side view of the design. The right side view is a mirror image of the left side view.
FIG. 6 is a front view of the design; and,
FIG. 7 is a rear view of the design.
The broken lines shown are for environmental purposes only and form no part of the claim. Where broken lines abut a claimed surface it is understood that those broken lines represent an unclaimed boundary between claimed and unclaimed surfaces. None of the broken lines form any part of the claimed design.

1 Claim, 4 Drawing Sheets



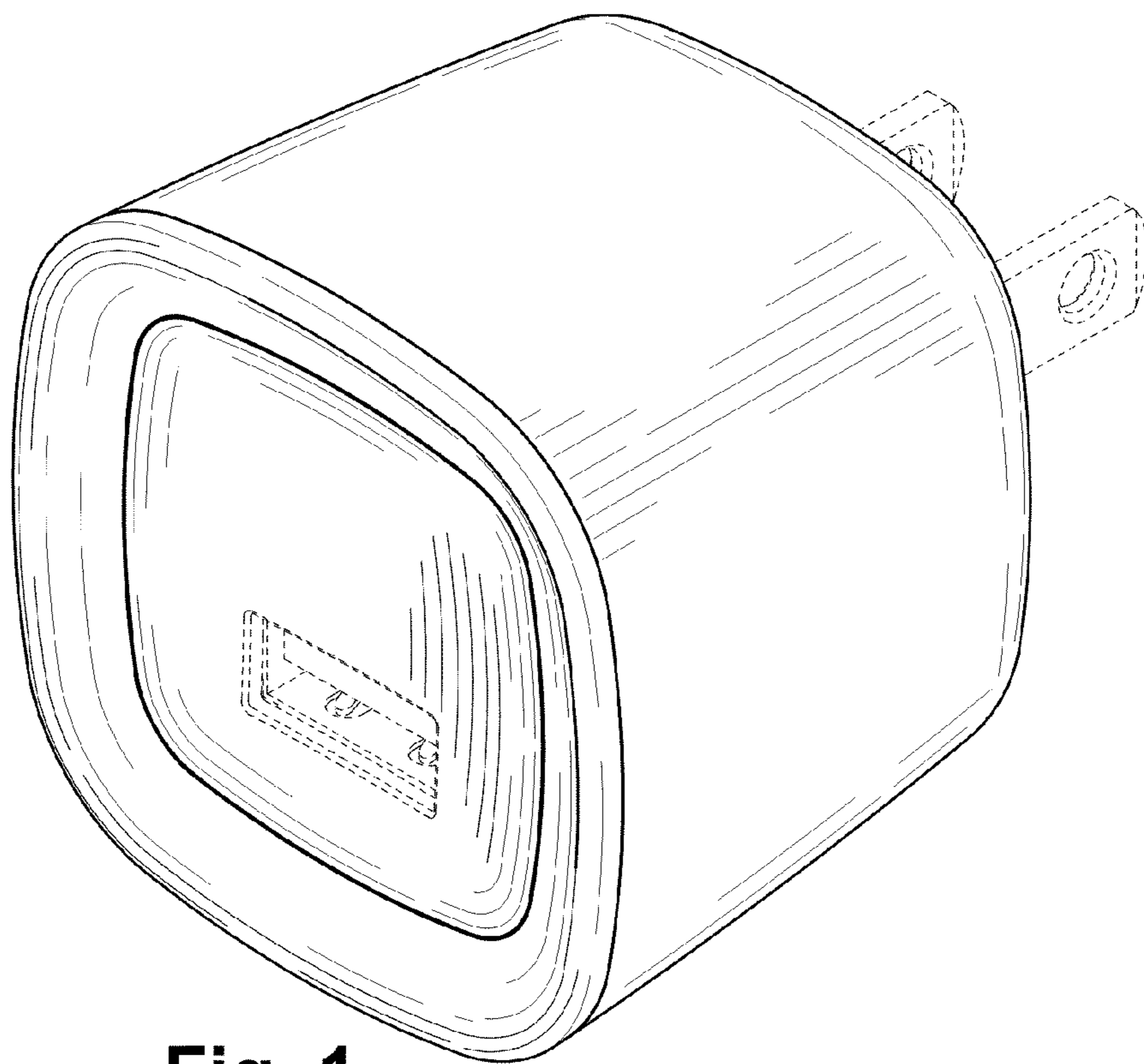


Fig. 1

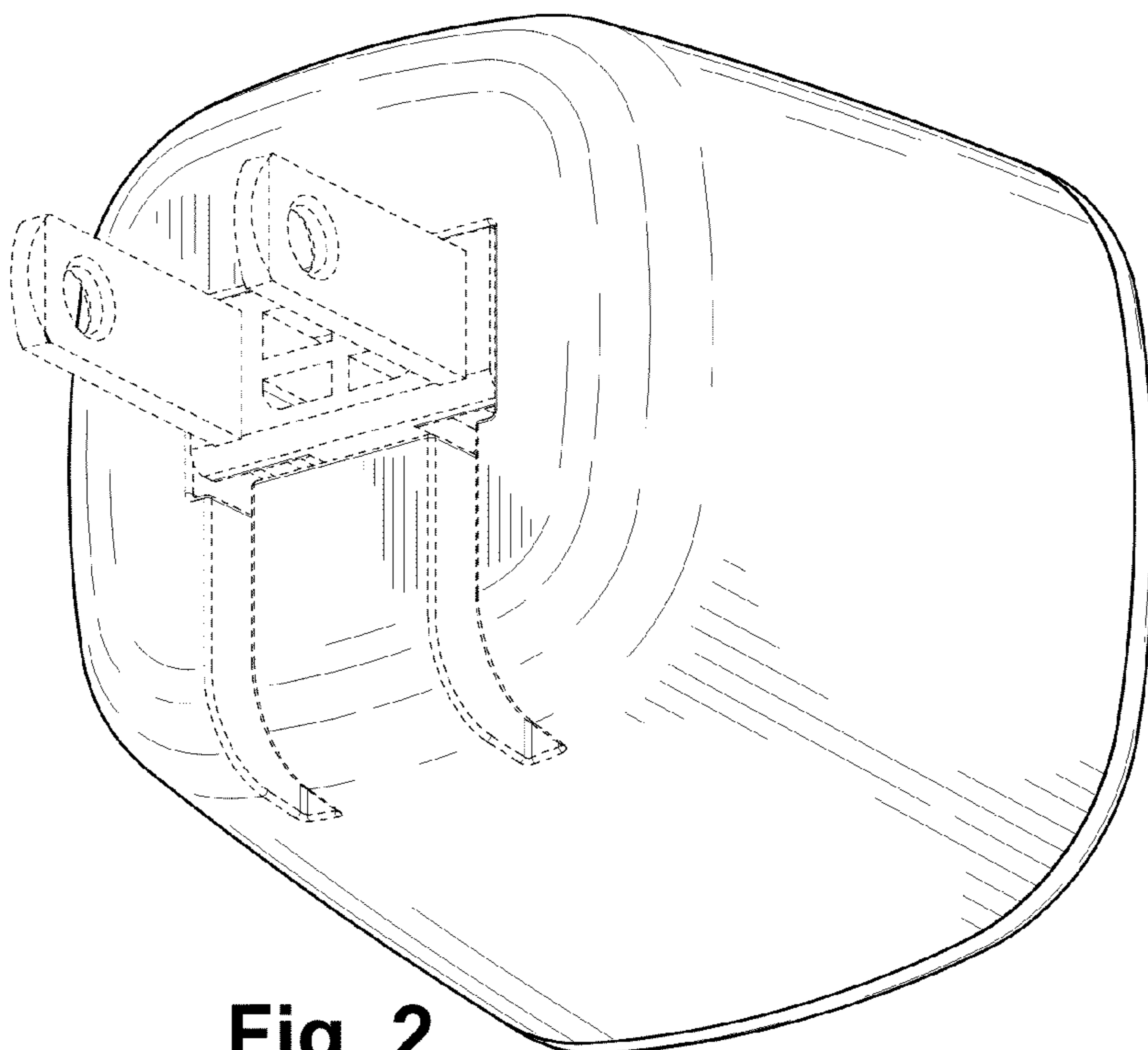


Fig. 2

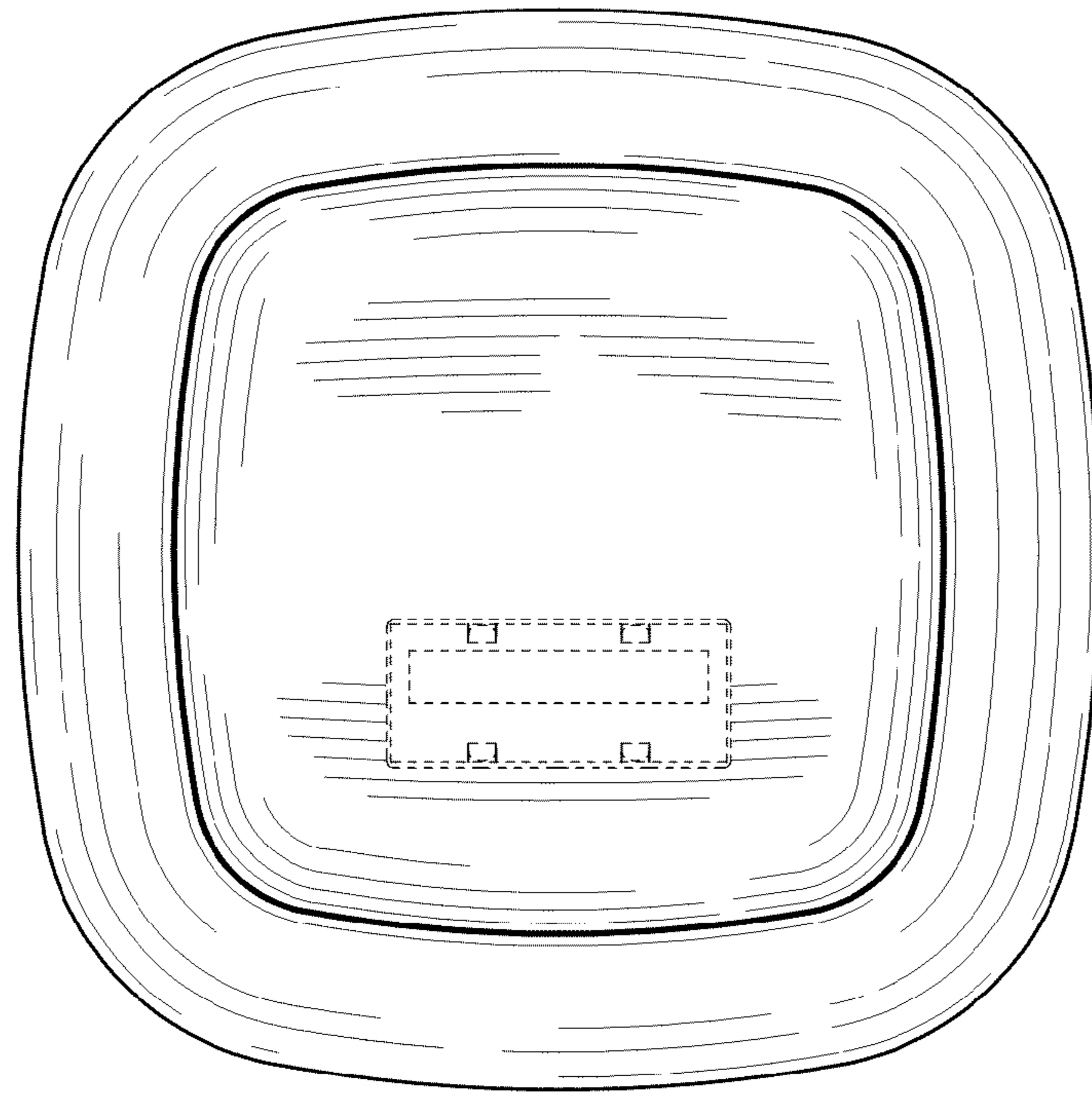


Fig. 3

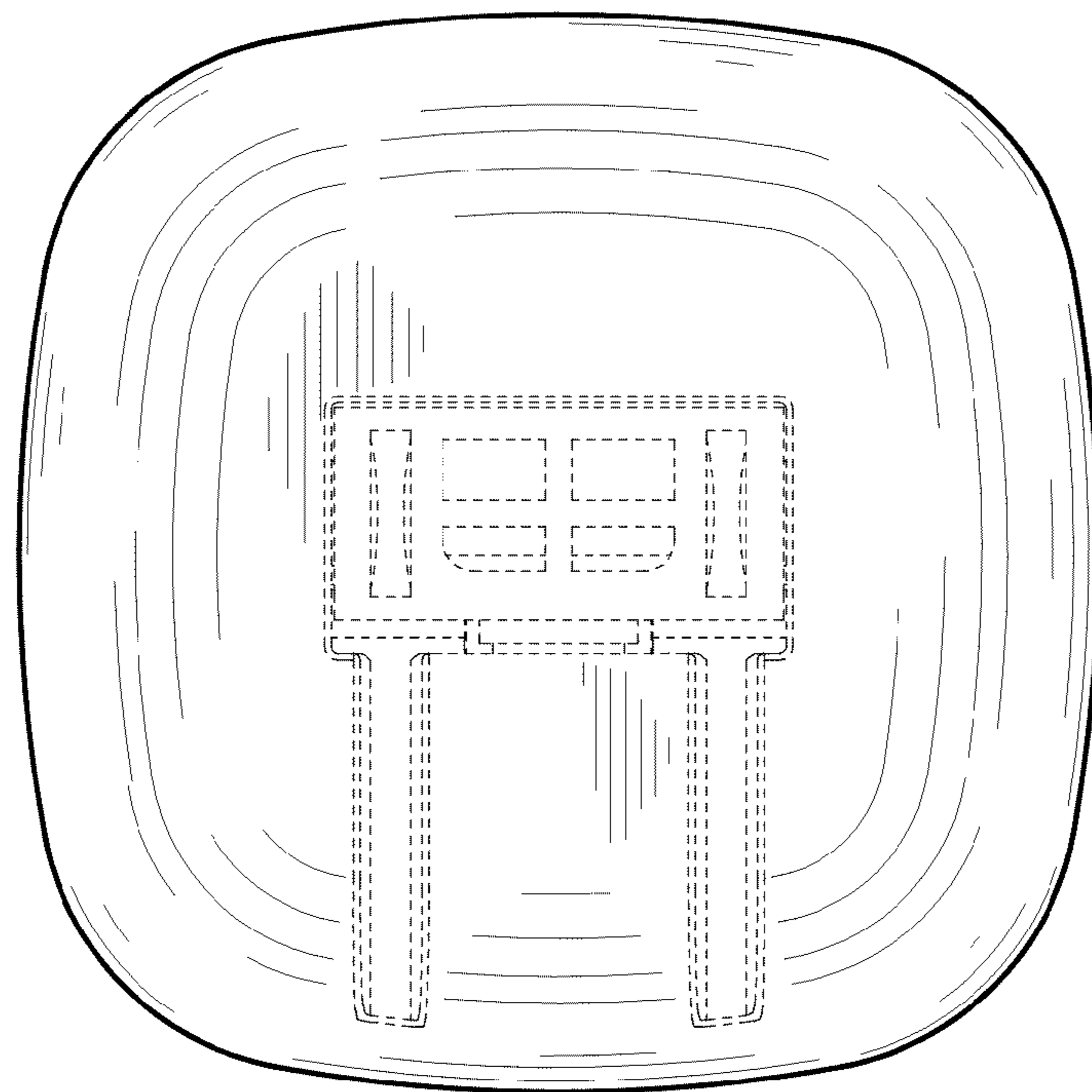


Fig. 4

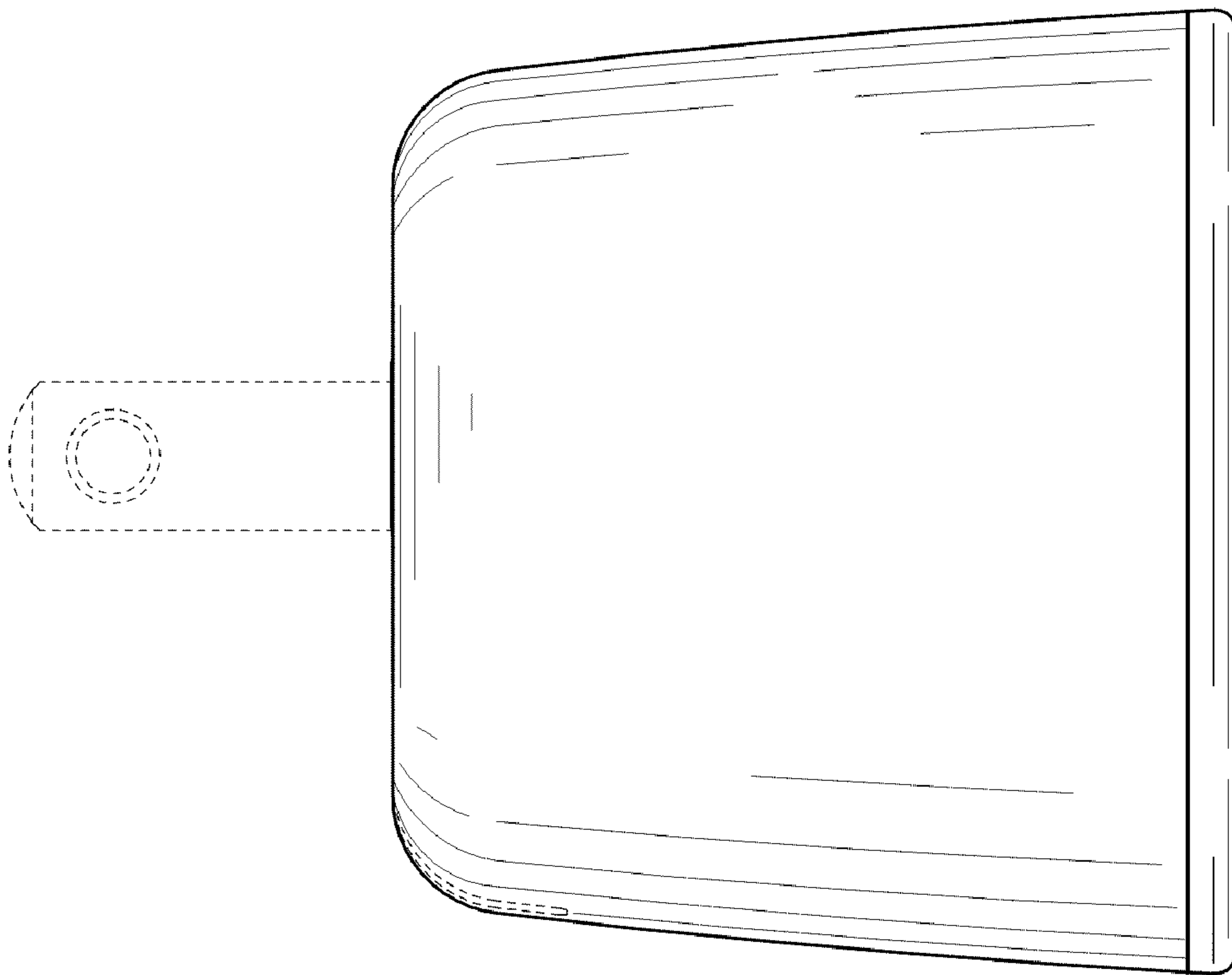


Fig. 5

Fig. 6

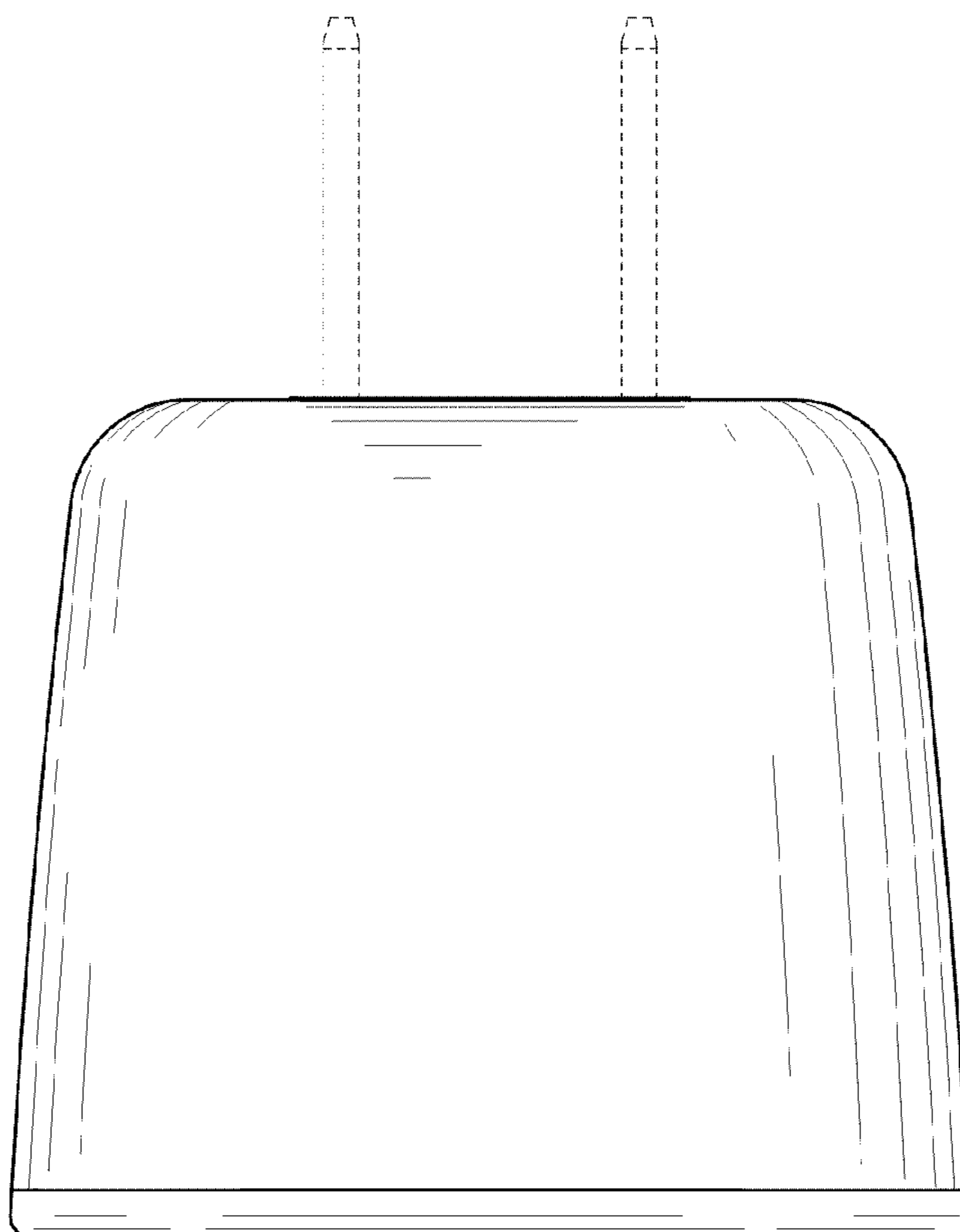


Fig. 7

