



US00D642523S

(12) **United States Design Patent**  
**Crawford et al.**

(10) **Patent No.:** **US D642,523 S**

(45) **Date of Patent:** **\*\* Aug. 2, 2011**

(54) **MODULAR POWER DEVICE**

(75) Inventors: **John D Crawford**, Avon, OH (US);  
**David J Hine**, Syracuse, NY (US);  
**David A Furth**, Skaneateles, NY (US)

(73) Assignee: **Eveready Battery Company, Inc.**, St. Louis, MO (US)

(\*\*) Term: **14 Years**

(21) Appl. No.: **29/385,650**

(22) Filed: **Feb. 17, 2011**

(51) **LOC (9) Cl.** ..... **13-02**

(52) **U.S. Cl.** ..... **D13/108**

(58) **Field of Classification Search** ..... D13/107-110,  
D13/118-119, 184, 199; D14/217, 251,  
D14/253, 432, 434; 320/107-115

See application file for complete search history.

(56) **References Cited**

U.S. PATENT DOCUMENTS

D444,449 S \* 7/2001 Yamamoto ..... D13/107  
D515,029 S \* 2/2006 Hattori ..... D13/108  
D520,944 S \* 5/2006 Morita ..... D13/108

D521,928 S \* 5/2006 Shimizu ..... D13/108  
D581,355 S \* 11/2008 Grant ..... D13/107  
D586,348 S \* 2/2009 Leung et al. .... D14/434  
D620,883 S \* 8/2010 Maglica ..... D13/108  
D634,271 S \* 3/2011 Kessler et al. .... D13/108

\* cited by examiner

*Primary Examiner* — Rosemary K Tarcza

(74) *Attorney, Agent, or Firm* — Michael C. Pophal

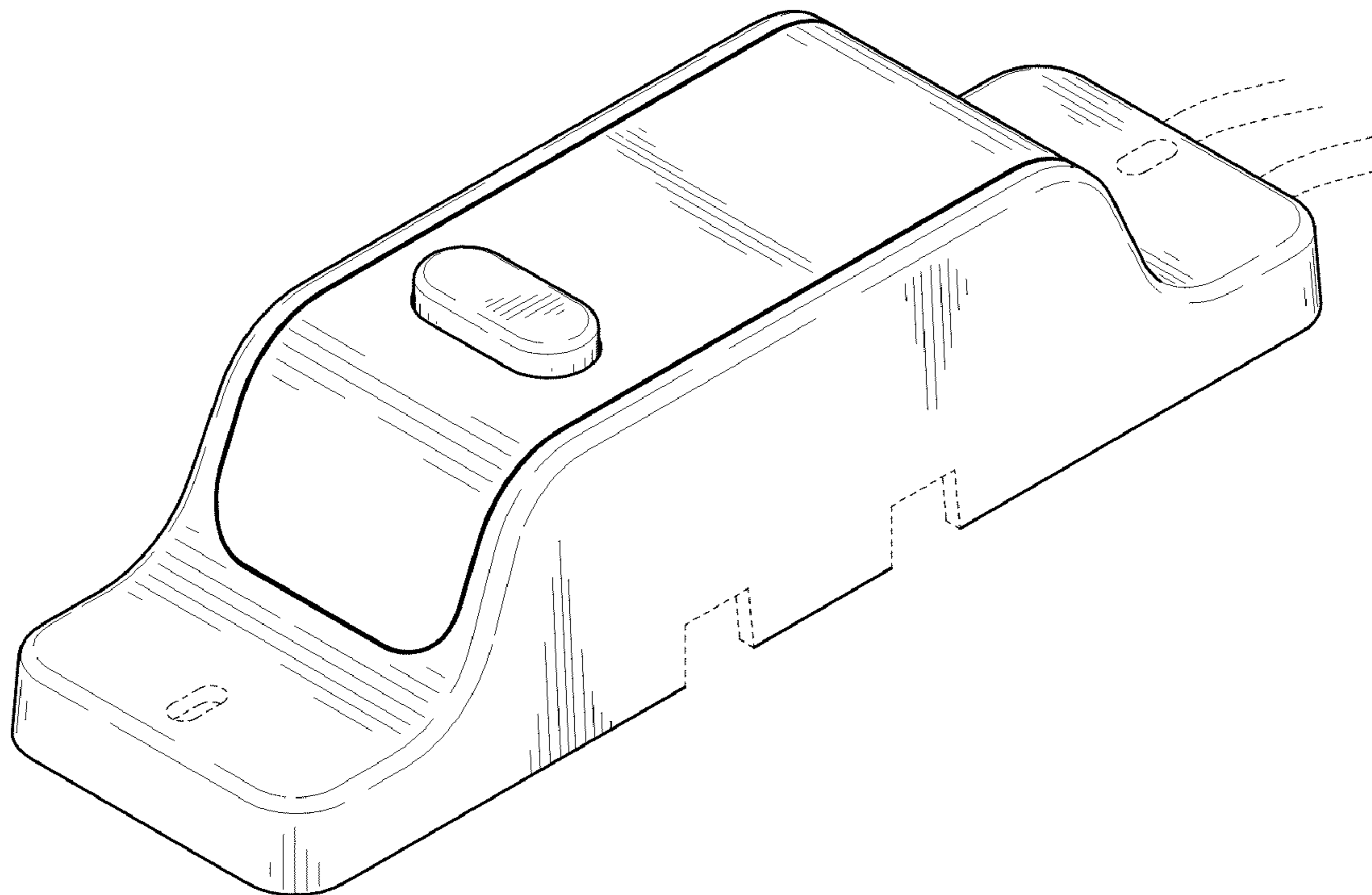
(57) **CLAIM**

We claim the ornamental design for a modular power device, as shown and described.

**DESCRIPTION**

FIG. 1 is a front perspective view of the design.  
FIG. 2 is a rear perspective view of the design.  
FIG. 3 is a right side view of the design. The left side view is a mirror of the right side view.  
FIG. 4 is a front view of the design.  
FIG. 5 is a rear view of the design.  
FIG. 6 is a bottom view of the design; and,  
FIG. 7 is a top view of the design.  
Any broken line(s) shown are for illustrative purposes only and form no part of the claimed design.

**1 Claim, 2 Drawing Sheets**



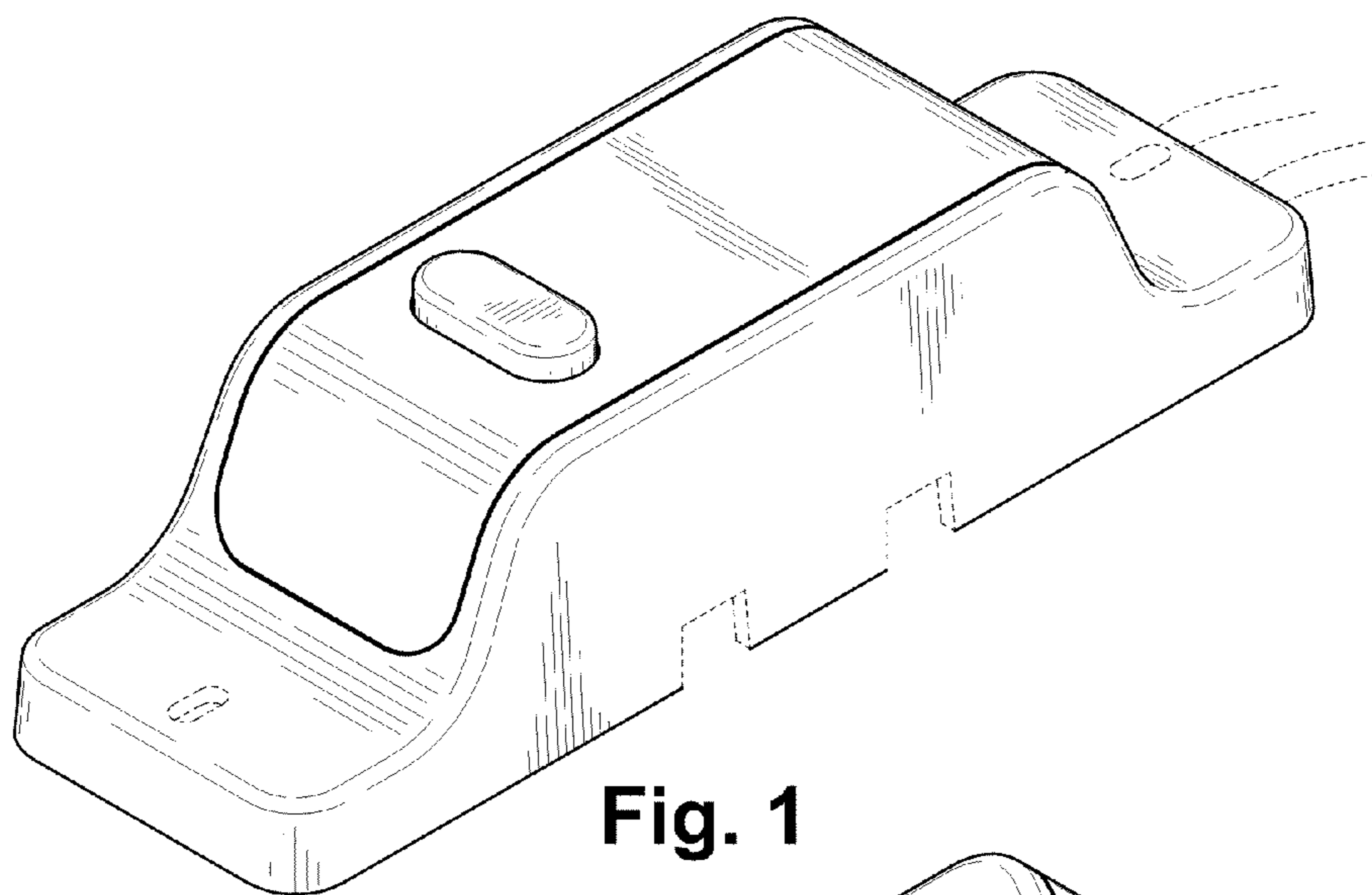


Fig. 1

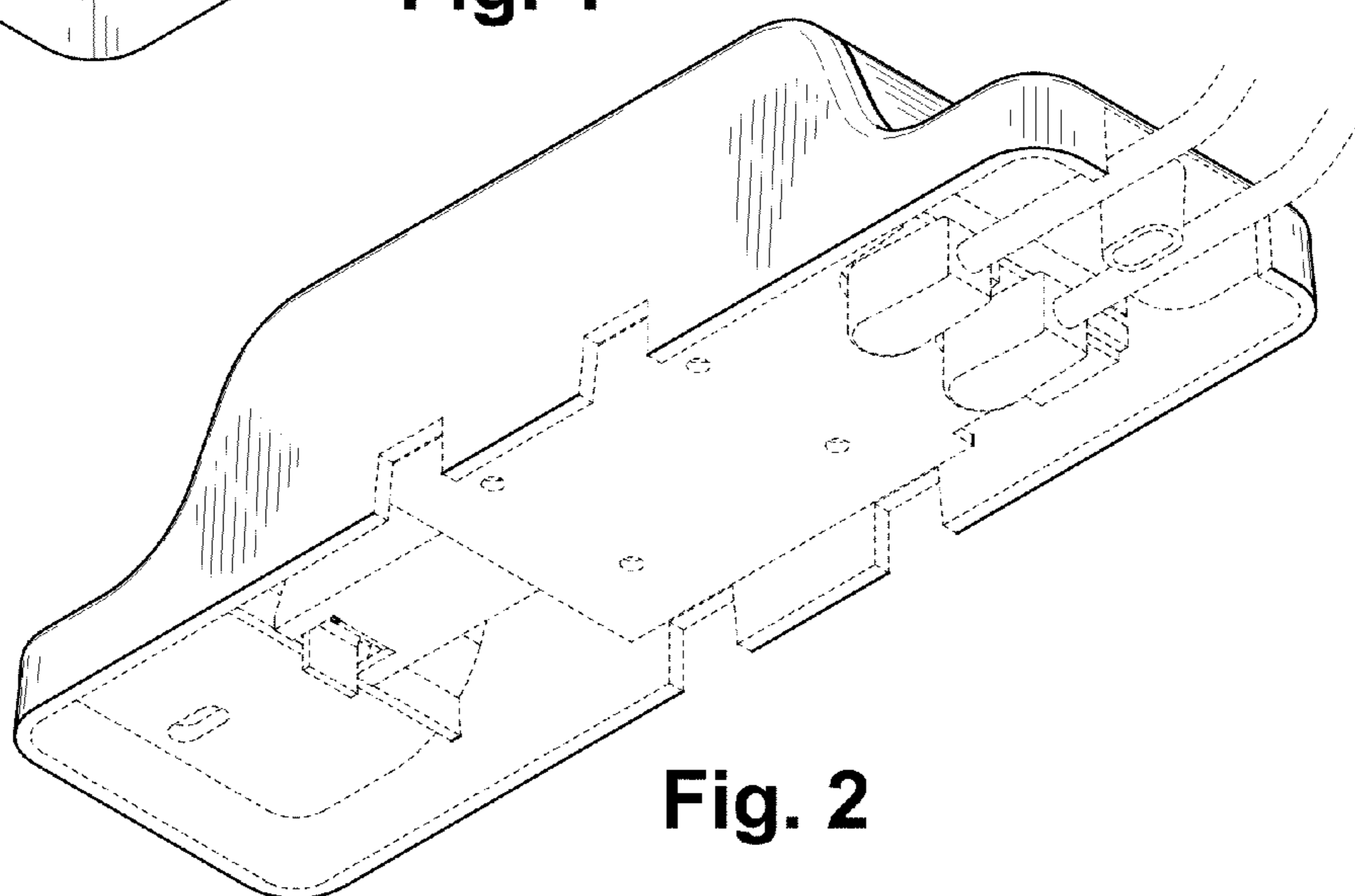


Fig. 2

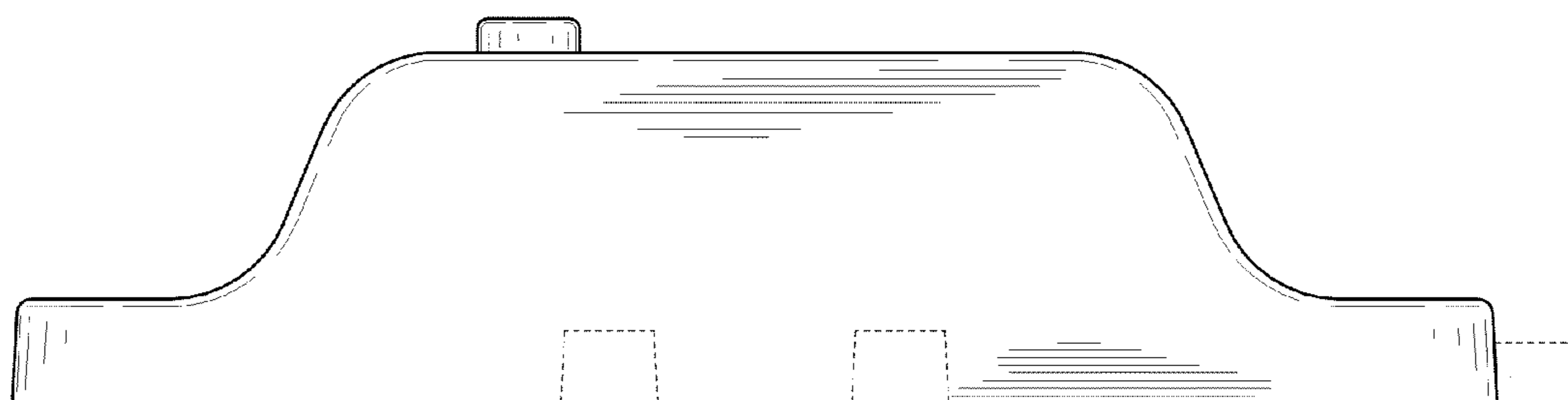
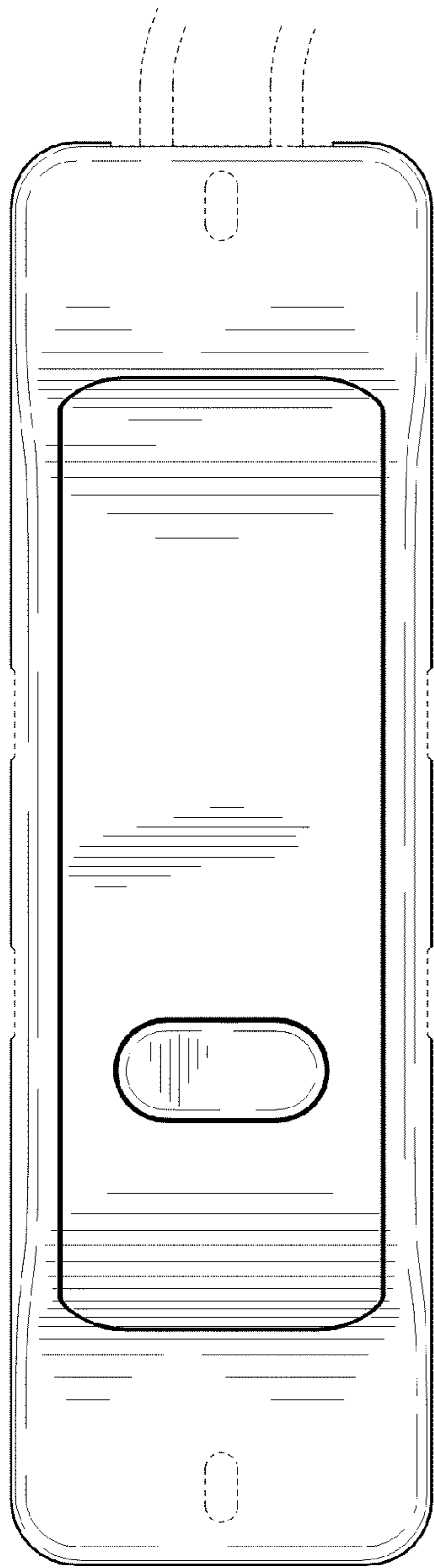
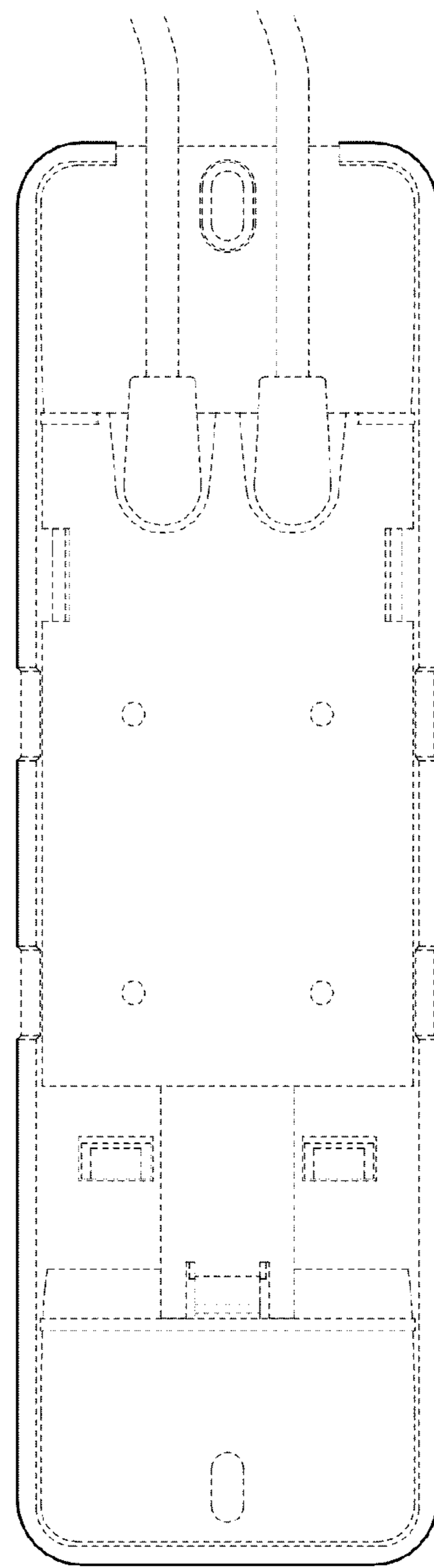


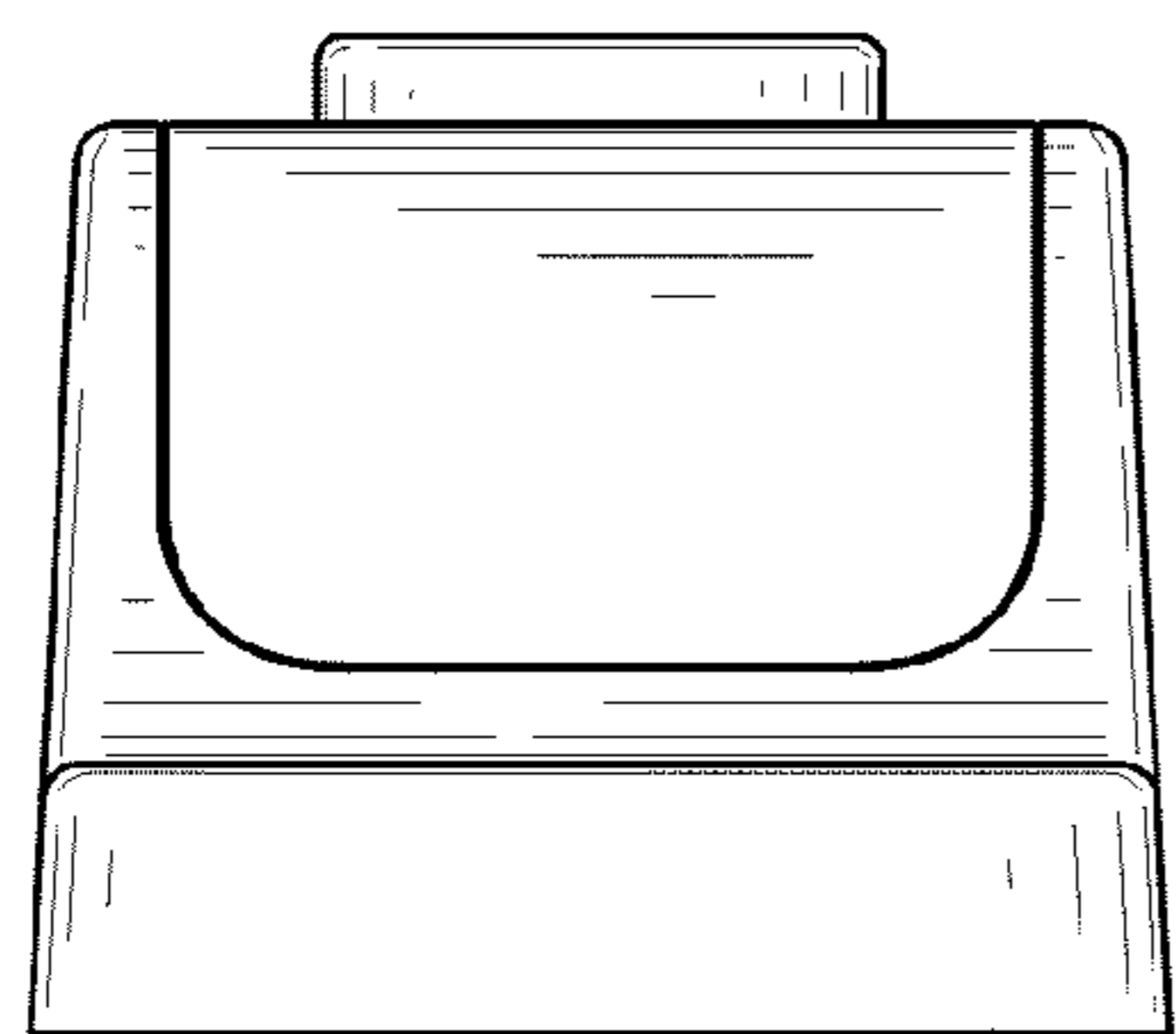
Fig. 3



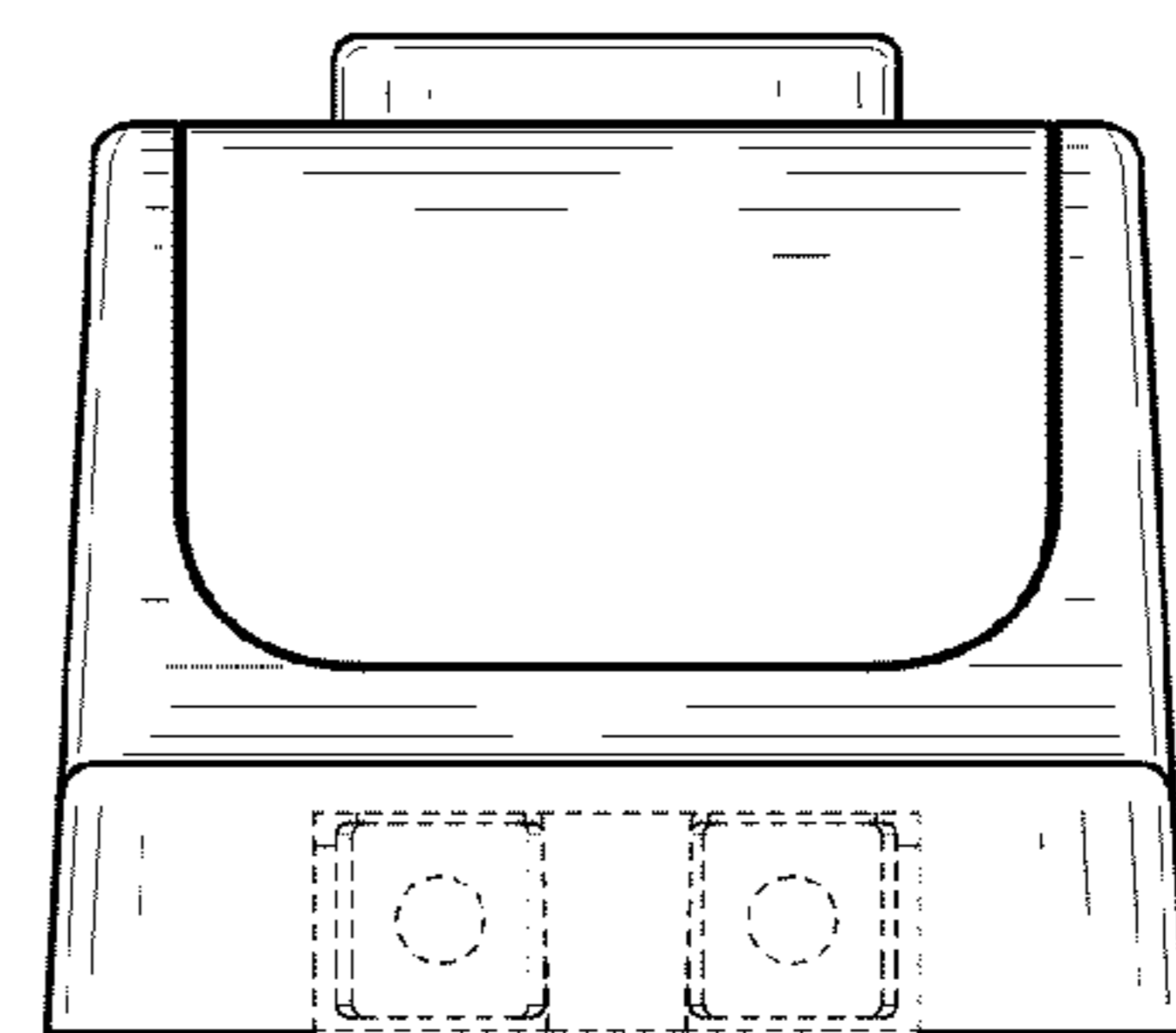
**Fig. 4**



**Fig. 5**



**Fig. 6**



**Fig. 7**