



US00D642521S

(12) **United States Design Patent**
Markowitz

(10) **Patent No.:** **US D642,521 S**

(45) **Date of Patent:** **** Aug. 2, 2011**

(54) **CHARGING STATION**

(76) Inventor: **Lipa Markowitz**, Brooklyn, NY (US)

(**) Term: **14 Years**

(21) Appl. No.: **29/377,769**

(22) Filed: **Oct. 26, 2010**

(51) **LOC (9) Cl.** **13-02**

(52) **U.S. Cl.** **D13/108**

(58) **Field of Classification Search** D13/107-110,
D13/118-119, 184, 199; D14/251, 253,
D14/432, 434; 320/107-115

See application file for complete search history.

(56) **References Cited**

U.S. PATENT DOCUMENTS

D444,472 S *	7/2001	Russell et al.	D14/434
D469,439 S *	1/2003	Bradley	D14/434
D469,774 S *	2/2003	Bradley	D14/434
D483,327 S *	12/2003	Matsuoka	D13/108
D483,328 S *	12/2003	Suzuki	D13/108
D489,322 S *	5/2004	Sawai et al.	D13/108
D489,324 S *	5/2004	Suzuki	D13/108
D508,916 S *	8/2005	Lee	D14/447
D509,789 S *	9/2005	Motoishi	D13/108

D549,232 S *	8/2007	Li et al.	D14/447
D568,327 S *	5/2008	Fitch et al.	D14/453
D589,964 S *	4/2009	Heggland et al.	D14/434
D621,346 S *	8/2010	Navid	D13/108

* cited by examiner

Primary Examiner — Rosemary K Tarcza

(74) *Attorney, Agent, or Firm* — Levisohn Berger LLP

(57) **CLAIM**

The ornamental design for a charging station, as shown and described.

DESCRIPTION

FIG. 1 is a rear perspective view of the charging station showing the present design.

FIG. 2 is a rear view thereof.

FIG. 3 is a front view thereof.

FIG. 4 is a left view thereof.

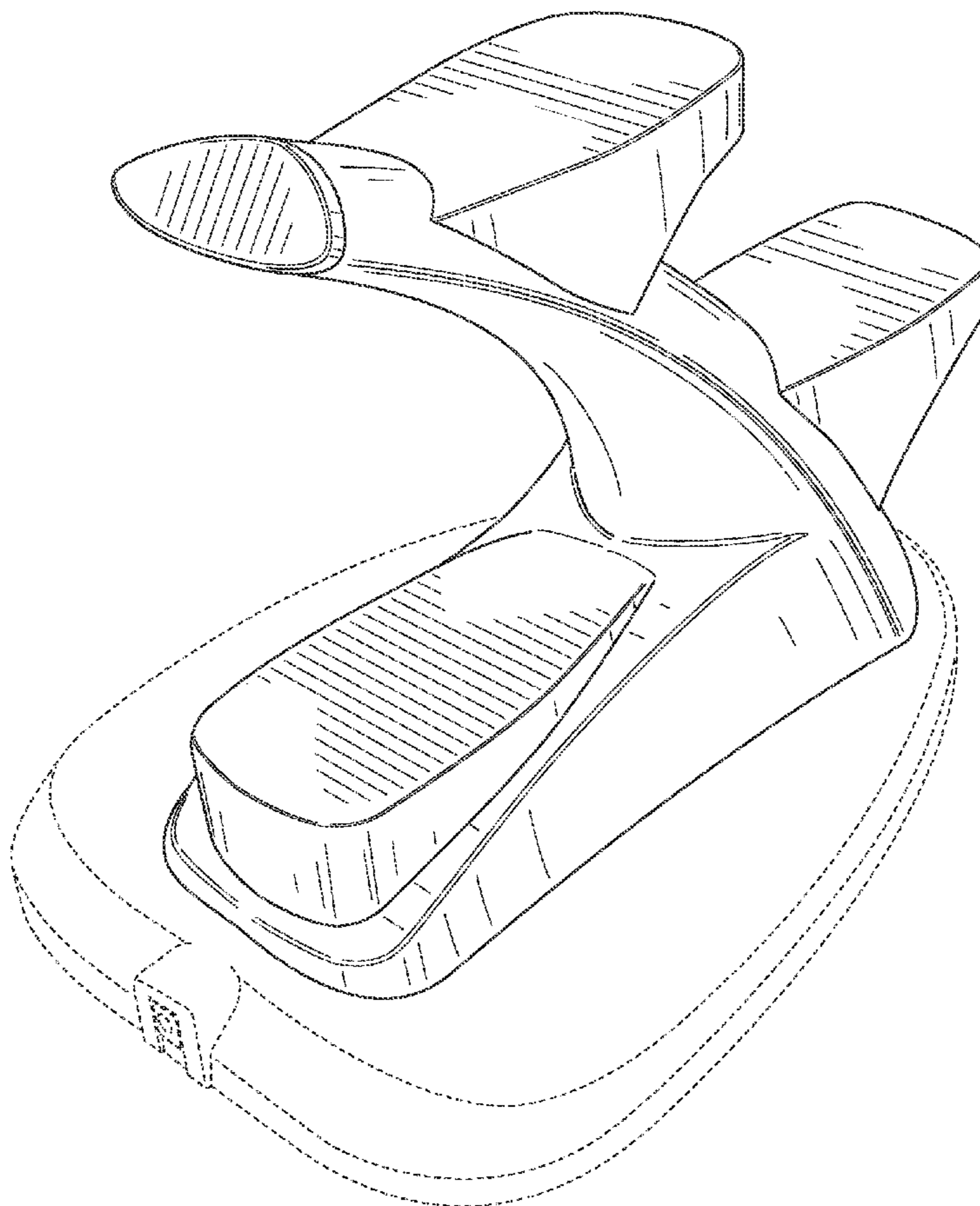
FIG. 5 is a right view thereof.

FIG. 6 is a top view thereof; and,

FIG. 7 is a bottom view thereof.

The portions of the design shown in broken lines being for illustrative purposes only and forming no part of the claimed design.

1 Claim, 7 Drawing Sheets



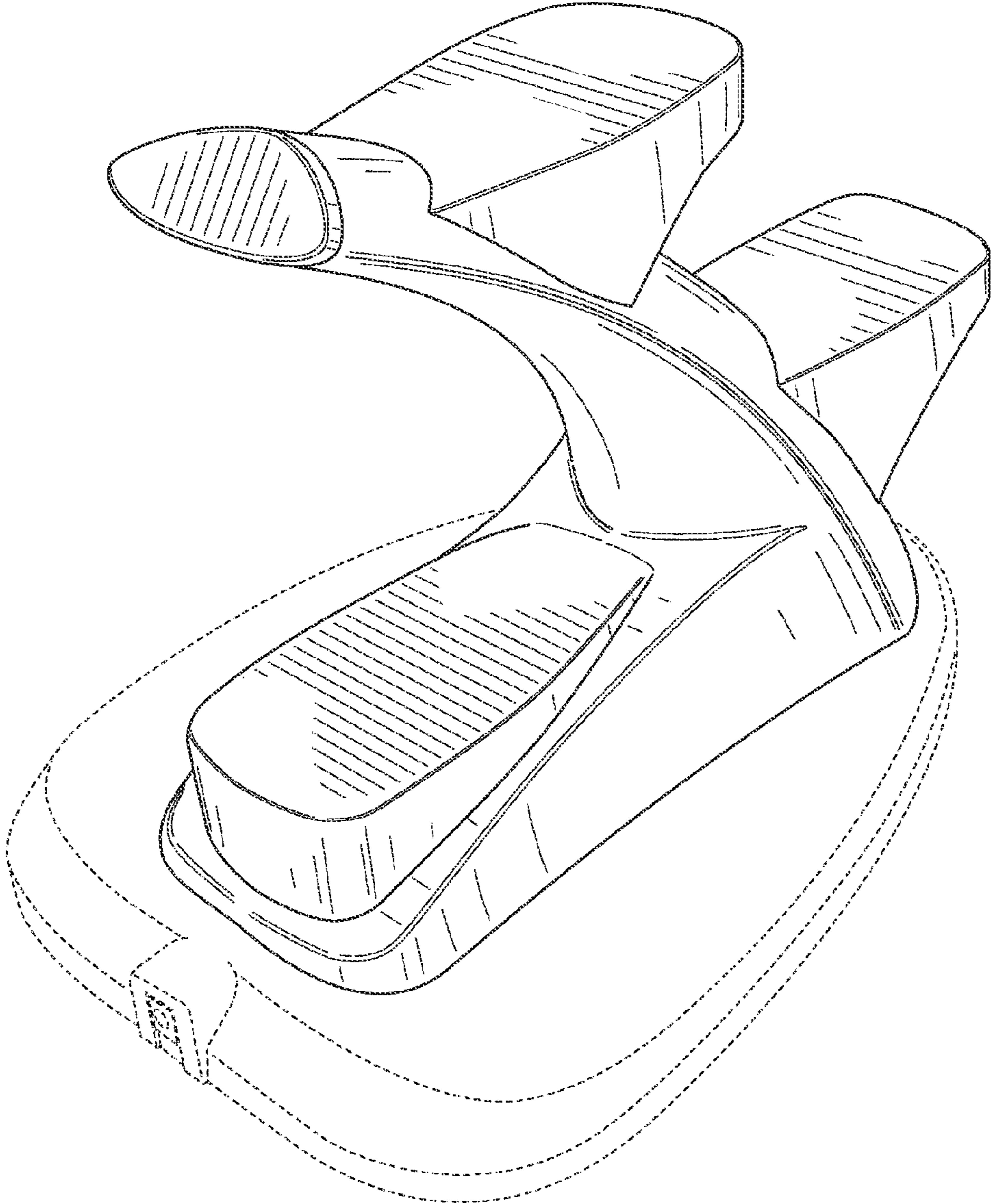


FIG. 1

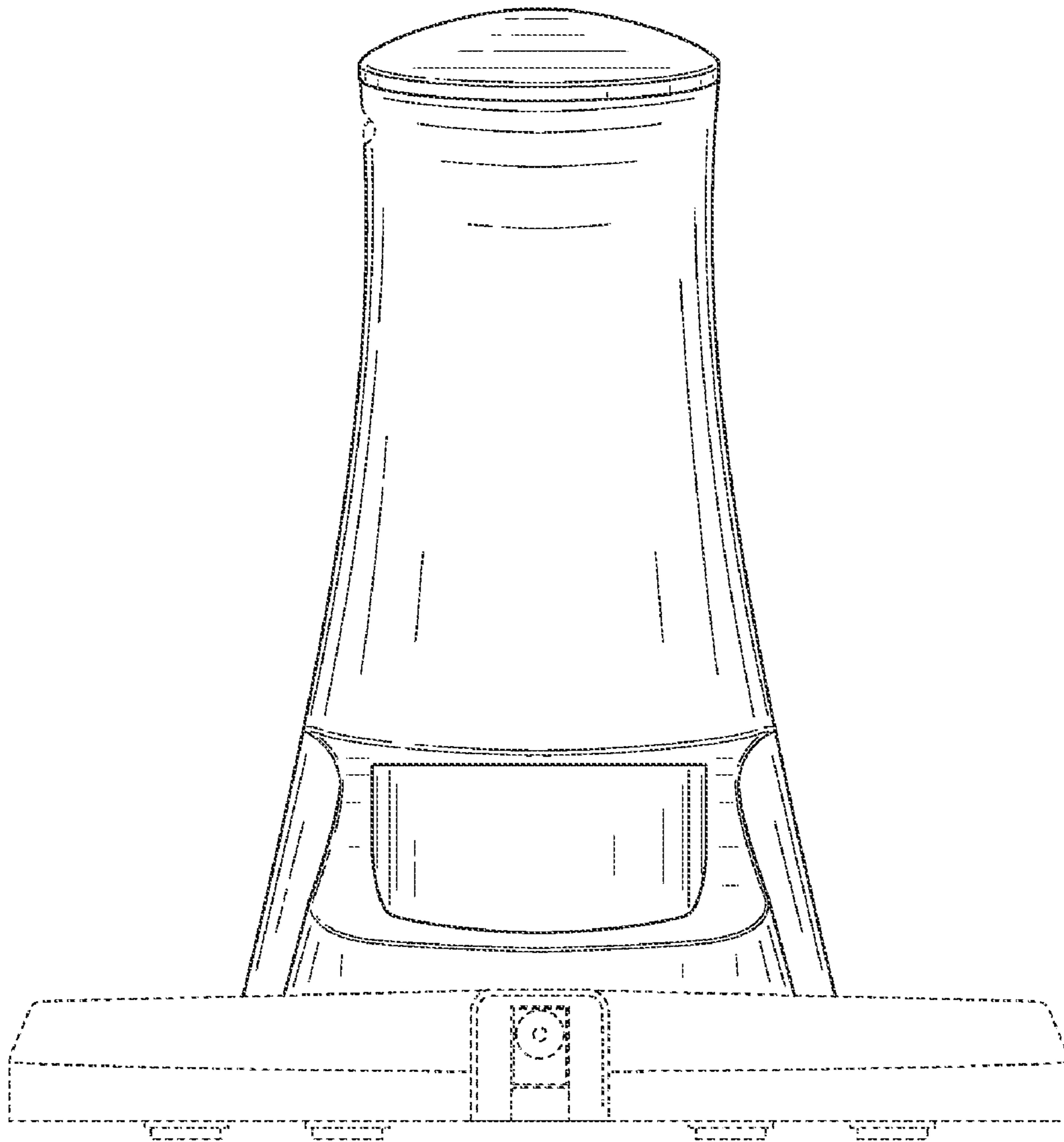


FIG. 2

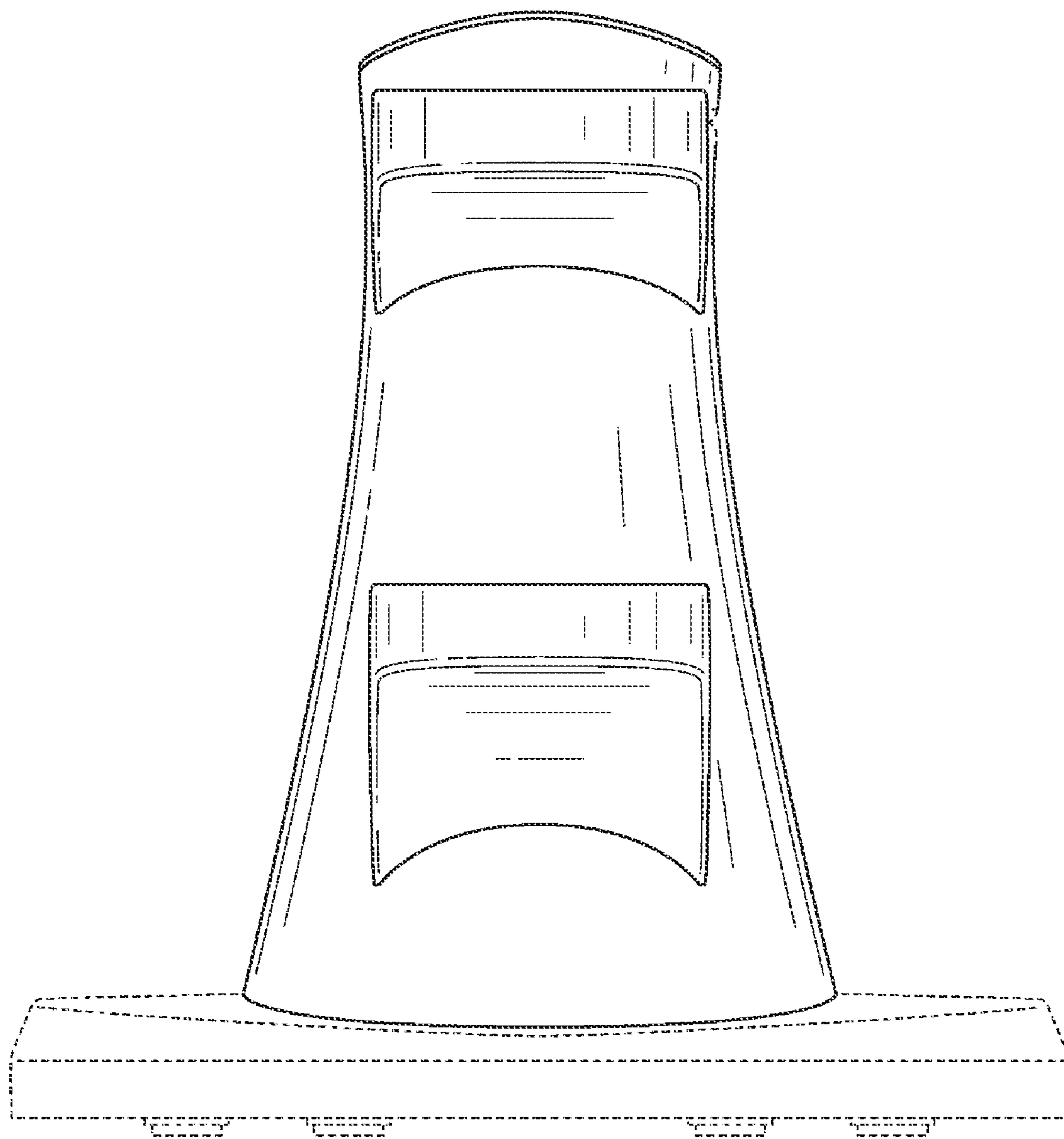


FIG. 3

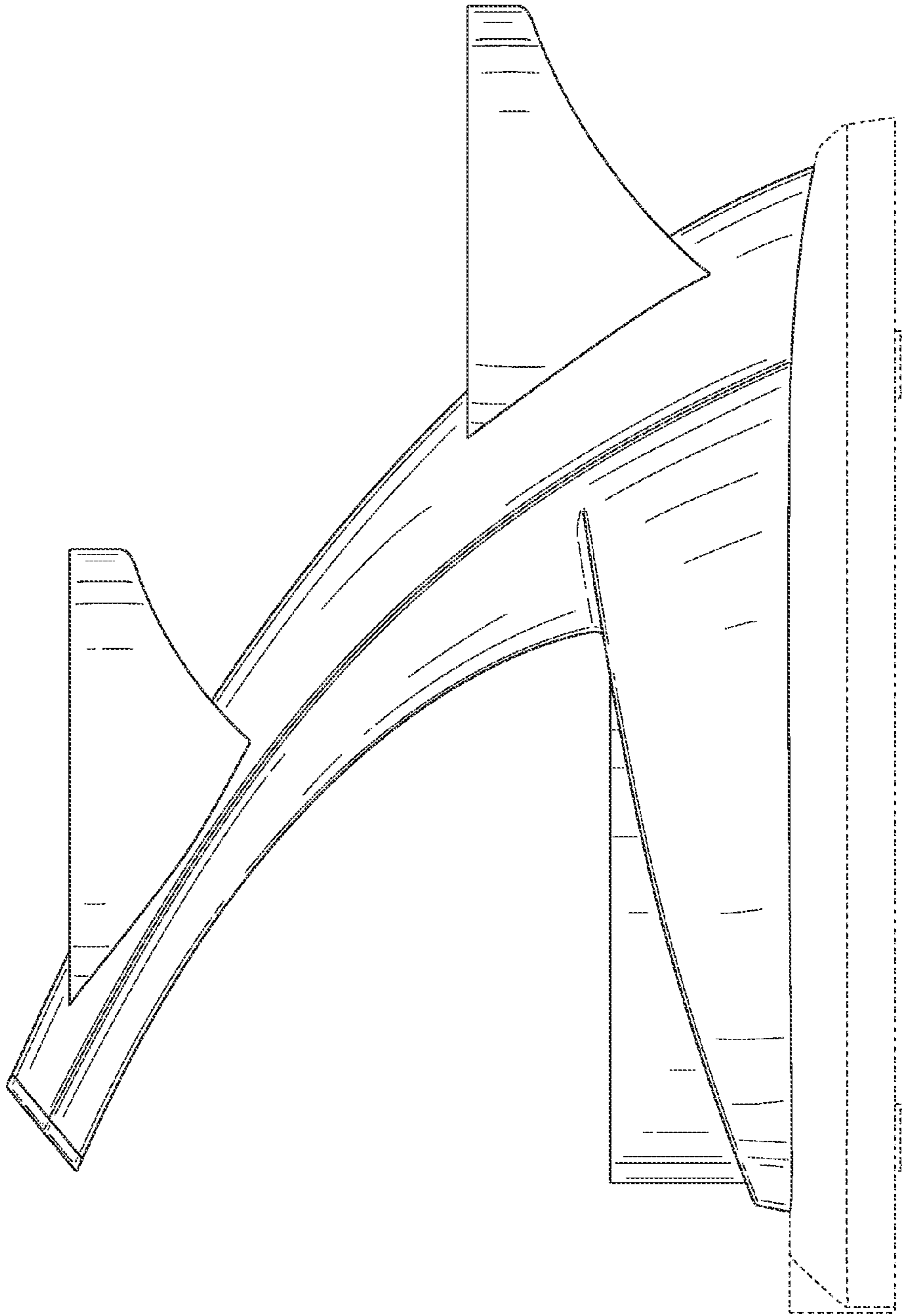


FIG. 4

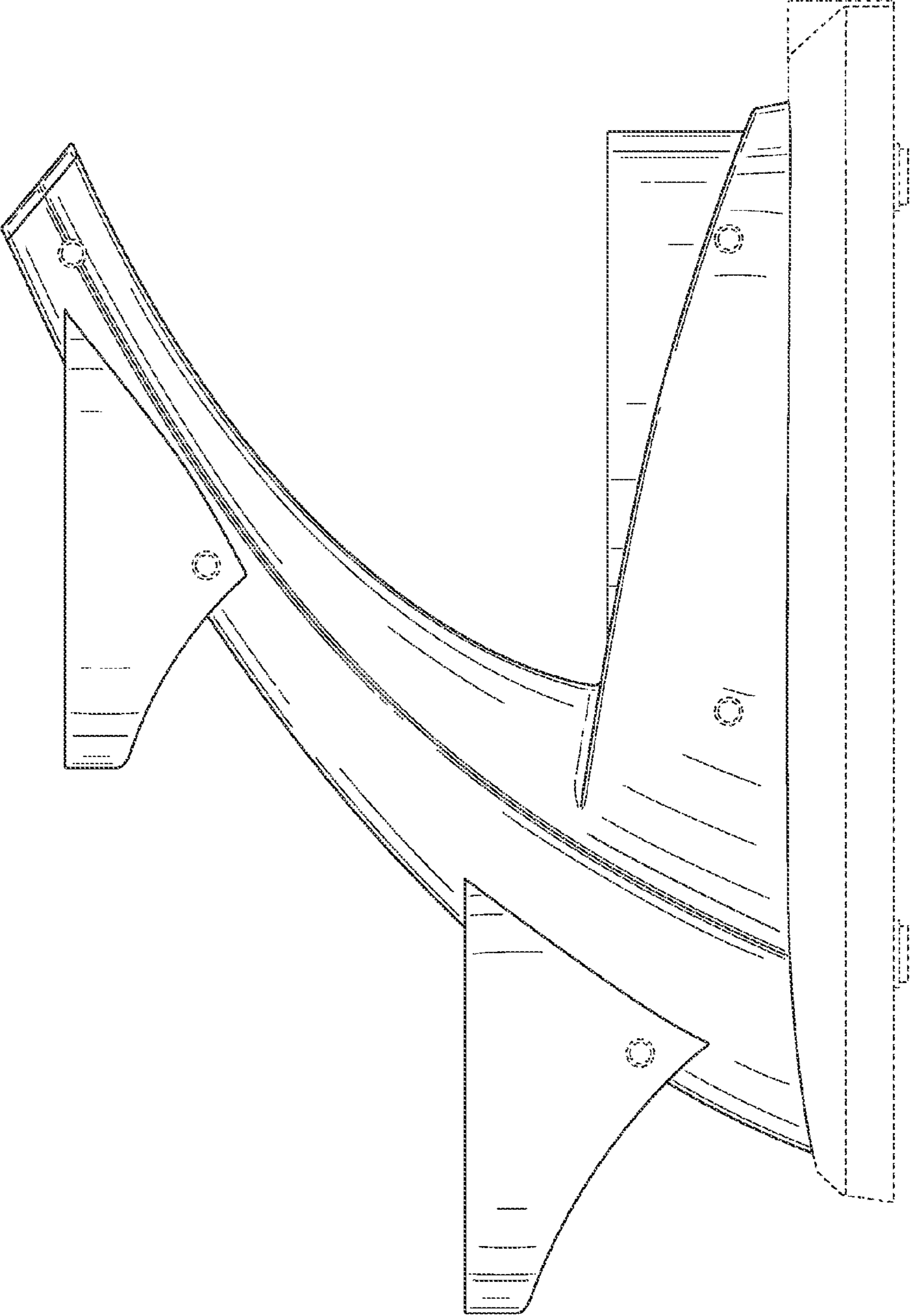


FIG. 5

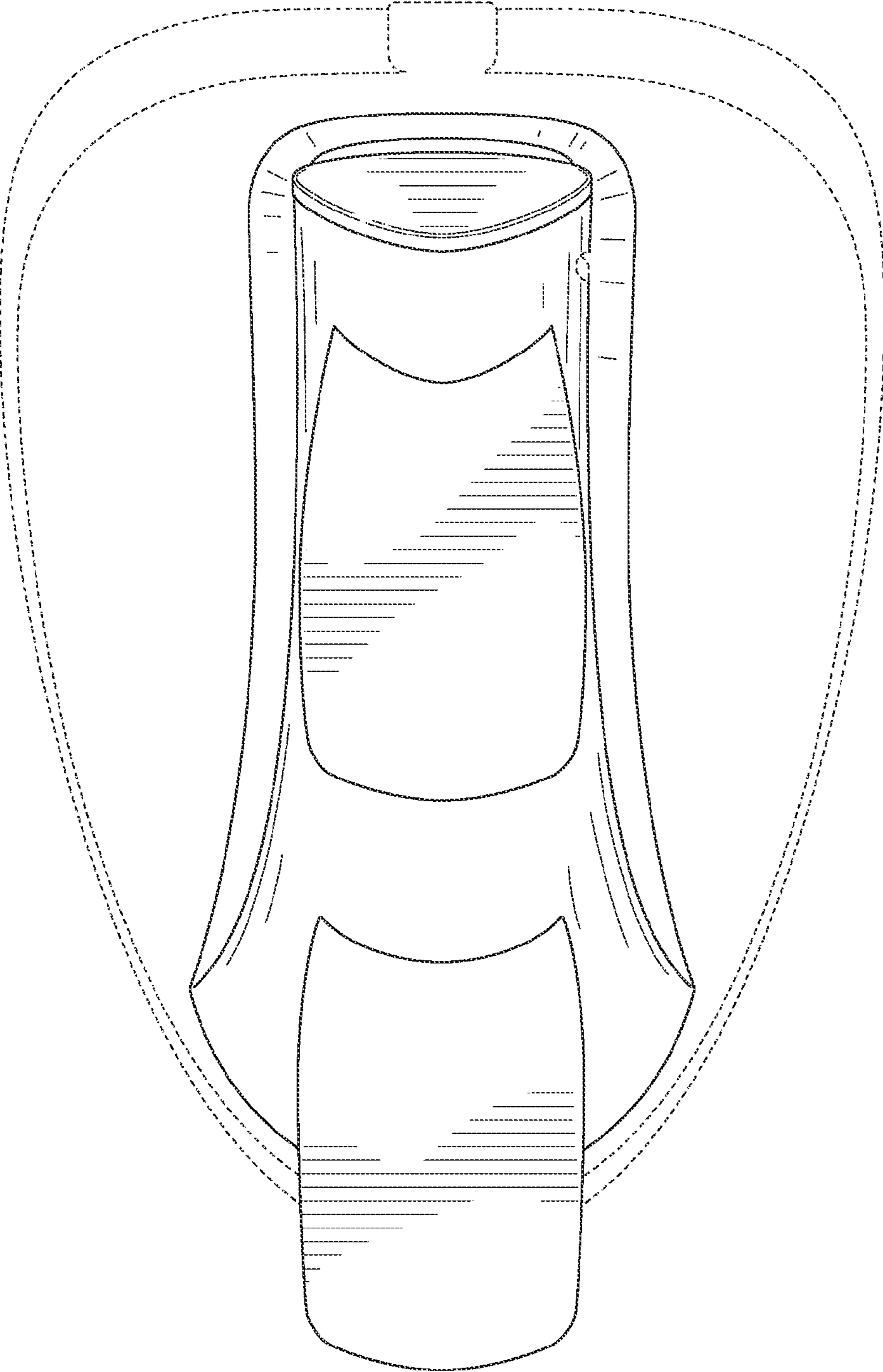


FIG. 6

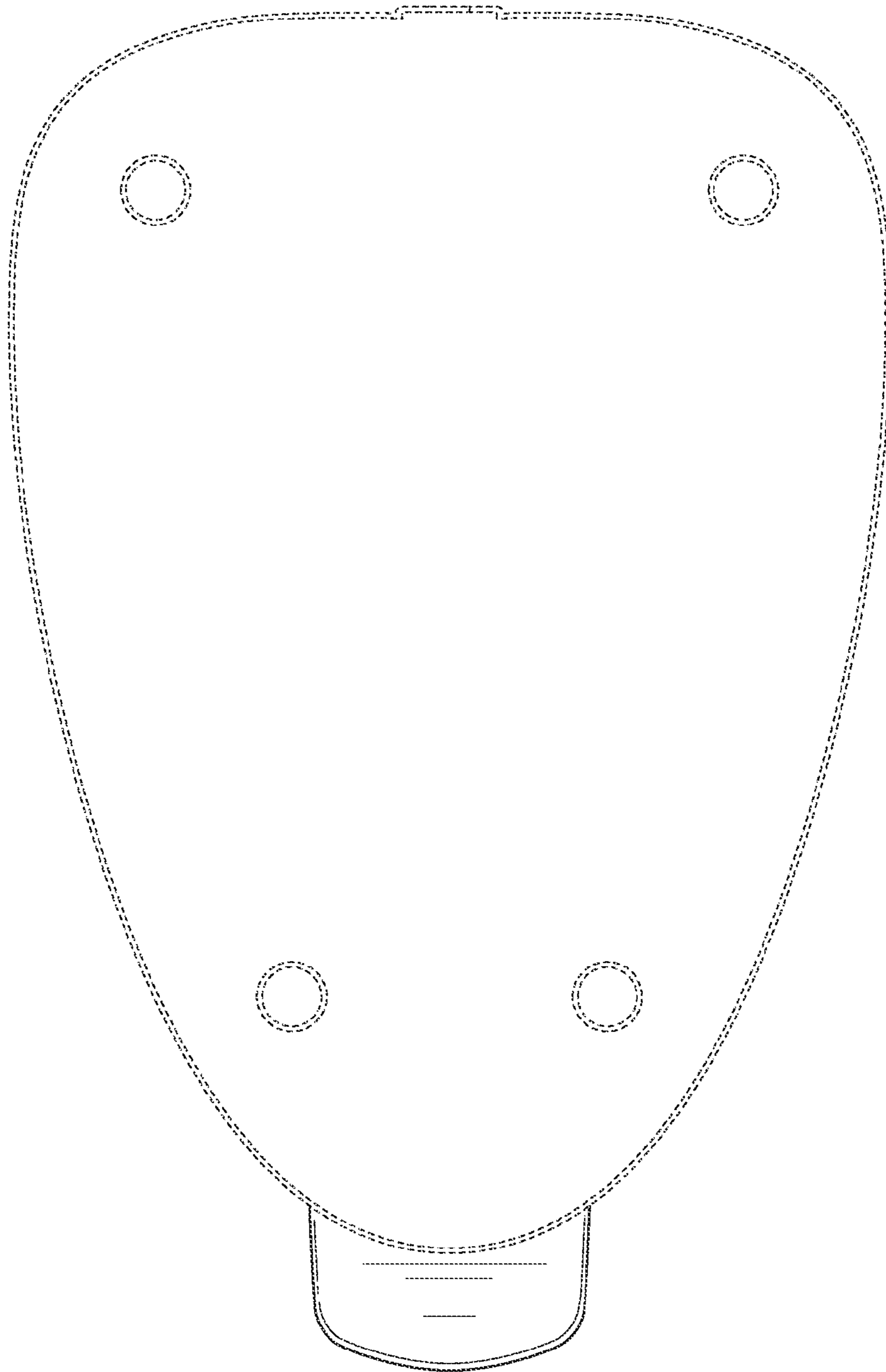


FIG. 7