



US00D642520S

(12) **United States Design Patent**
Chun et al.

(10) **Patent No.:** **US D642,520 S**

(45) **Date of Patent:** **** Aug. 2, 2011**

(54) **CRADLE FOR CHARGING TABLET
COMPUTER**

(75) Inventors: **Bum-Ho Chun**, Seoul (KR); **Sang-Sung
Woo**, Seoul (KR)

(73) Assignee: **Samsung Electronics Co., Ltd.**,
Kyunggi-do (KR)

(**) Term: **14 Years**

(21) Appl. No.: **29/372,409**

(22) Filed: **Nov. 16, 2010**

(51) **LOC (9) Cl.** **13-02**

(52) **U.S. Cl.** **D13/108**

(58) **Field of Classification Search** D13/107–110,
D13/118–119, 184, 199; D14/251, 253,
D14/432, 434; 320/107–115

See application file for complete search history.

(56) **References Cited**

U.S. PATENT DOCUMENTS

D351,133 S *	10/1994	Jungels-Butler et al.	D13/108
D445,975 S *	7/2001	Stratford	D32/31
D477,604 S *	7/2003	Lin	D14/434
D515,029 S *	2/2006	Hattori	D13/108
D520,944 S *	5/2006	Morita	D13/108
D556,129 S	11/2007	Choi et al.	
D579,004 S	10/2008	Bang et al.	
D580,855 S *	11/2008	Haspil et al.	D13/108
D580,856 S *	11/2008	Haspil et al.	D13/108
D603,840 S	11/2009	Lee et al.	
D610,128 S *	2/2010	Andre et al.	D14/217
D610,985 S *	3/2010	Fahrendorff	D13/108
D619,567 S	7/2010	Kwon et al.	

D620,481 S	7/2010	Lee et al.	
D621,396 S	8/2010	Lee et al.	
D623,132 S *	9/2010	Yano	D13/108
D626,541 S	11/2010	Kim et al.	
D630,579 S *	1/2011	Fahrendorff et al.	D13/108
D631,007 S *	1/2011	Smith et al.	D13/108
D631,008 S *	1/2011	Kuroda et al.	D13/108

OTHER PUBLICATIONS

U.S. Appl. No. 29/372,123, Applicant: Sang-Sung Woo, et al., filed Oct. 18, 2010 entitled Cradle for Charging Tablet Computer.

U.S. Appl. No. 29/372,122, Applicant: EunuaeShally Lee, et al., filed Oct. 18, 2010 entitled Cradle for Charging Tablet Computer.

U.S. Appl. No. 29/372,124, Applicant: Bum-Ho Chun et al., filed Oct. 18, 2010 entitled Cradle for Charging Tablet Computer.

* cited by examiner

Primary Examiner — Rosemary K Tarcza

(74) *Attorney, Agent, or Firm* — Flynn, Thiel, Boutell & Tanis, P.C.

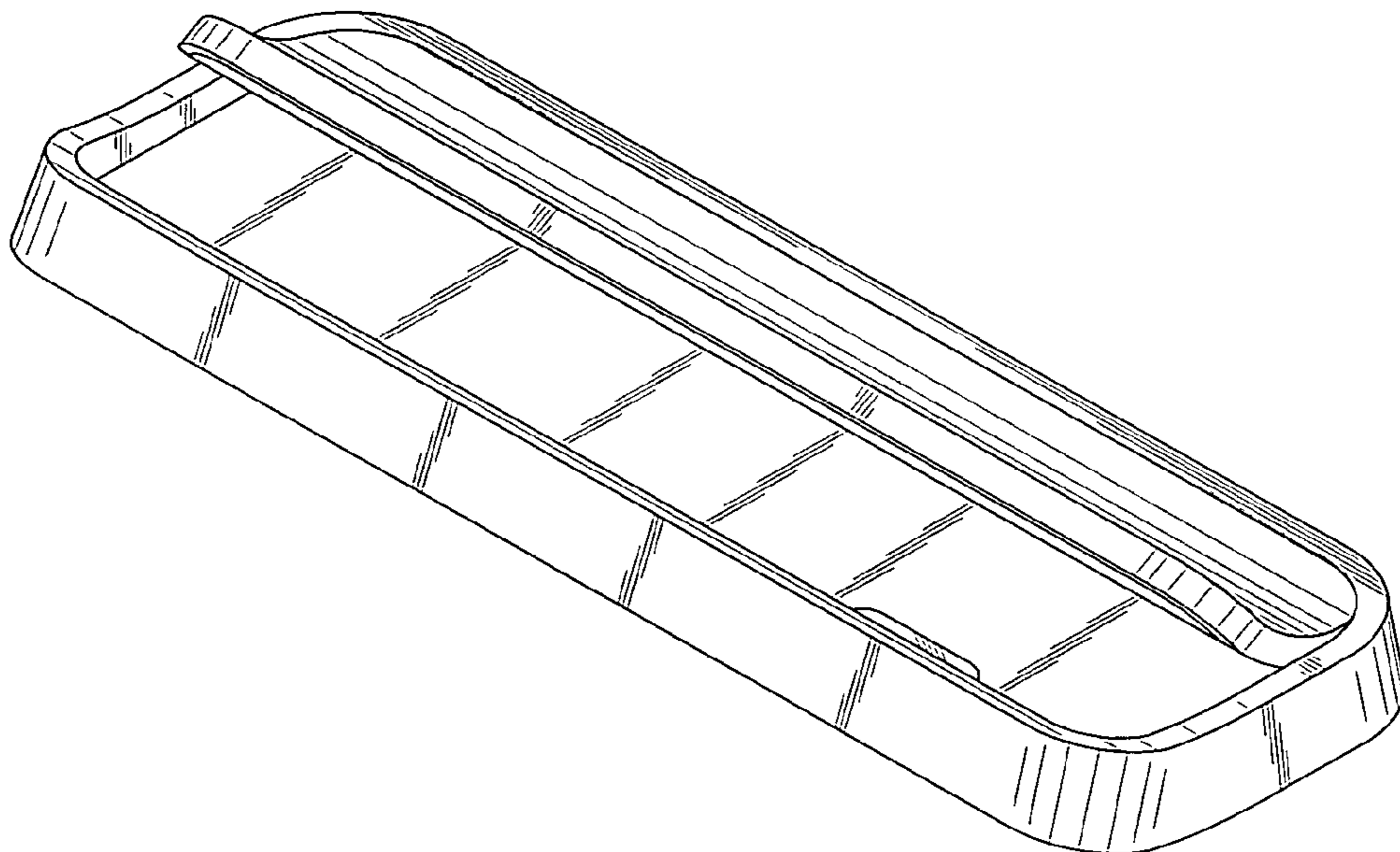
(57) **CLAIM**

The ornamental design for a cradle for charging tablet computer, as shown and described.

DESCRIPTION

FIG. 1 is a top front perspective view of a cradle for charging tablet computer showing our new design; FIG. 2 is a front elevational view thereof; FIG. 3 is a rear elevational view thereof; FIG. 4 is a left side elevational view thereof; FIG. 5 is a right side elevational view thereof; FIG. 6 is a top plan view thereof; and, FIG. 7 is a bottom plan view thereof.

1 Claim, 3 Drawing Sheets



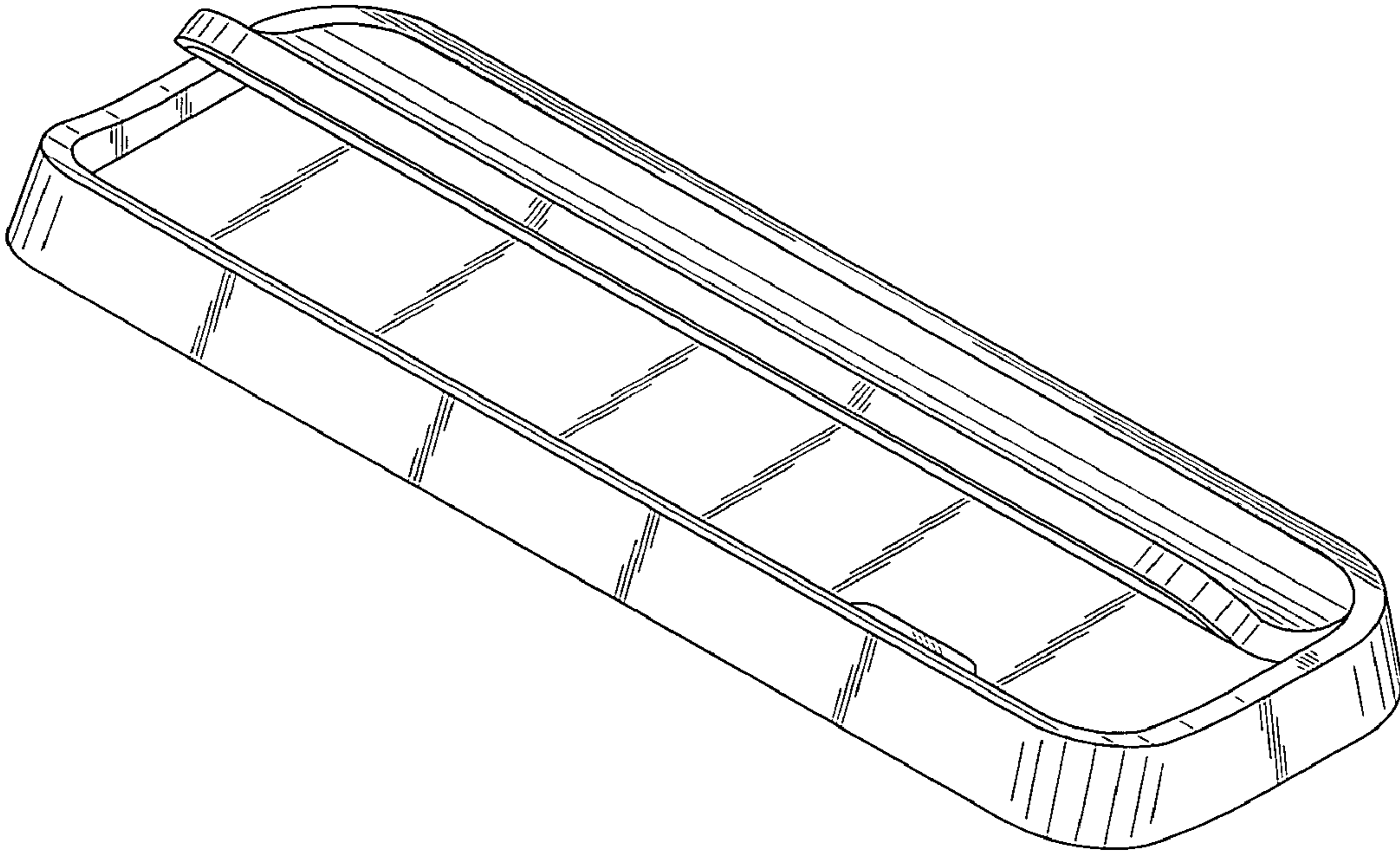


FIG.1

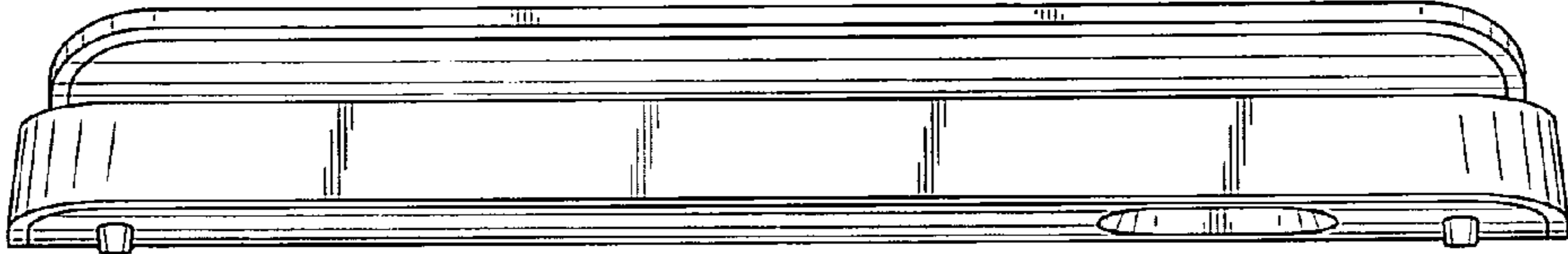


FIG. 2

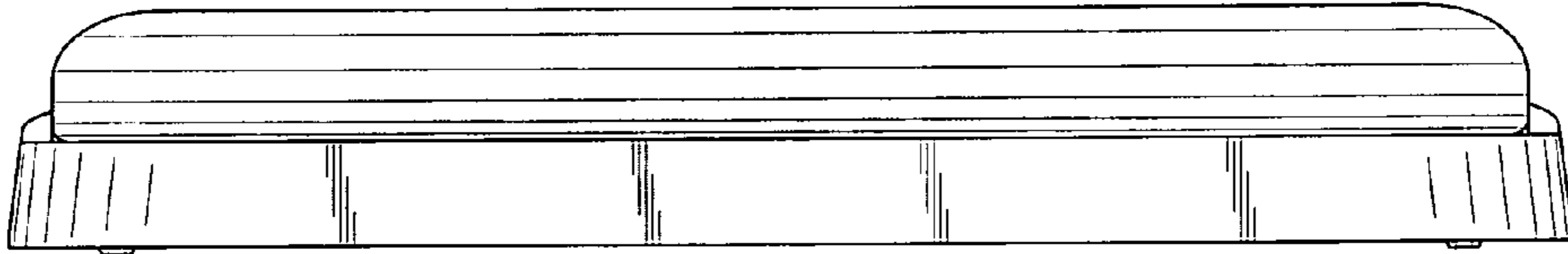


FIG. 3

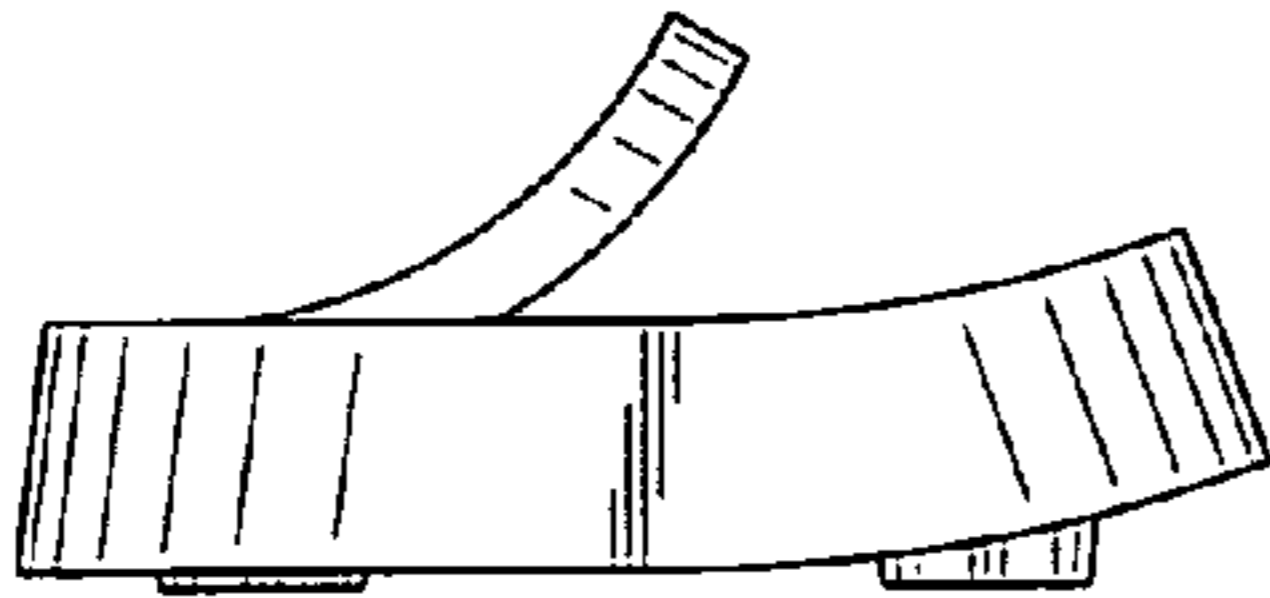


FIG. 4

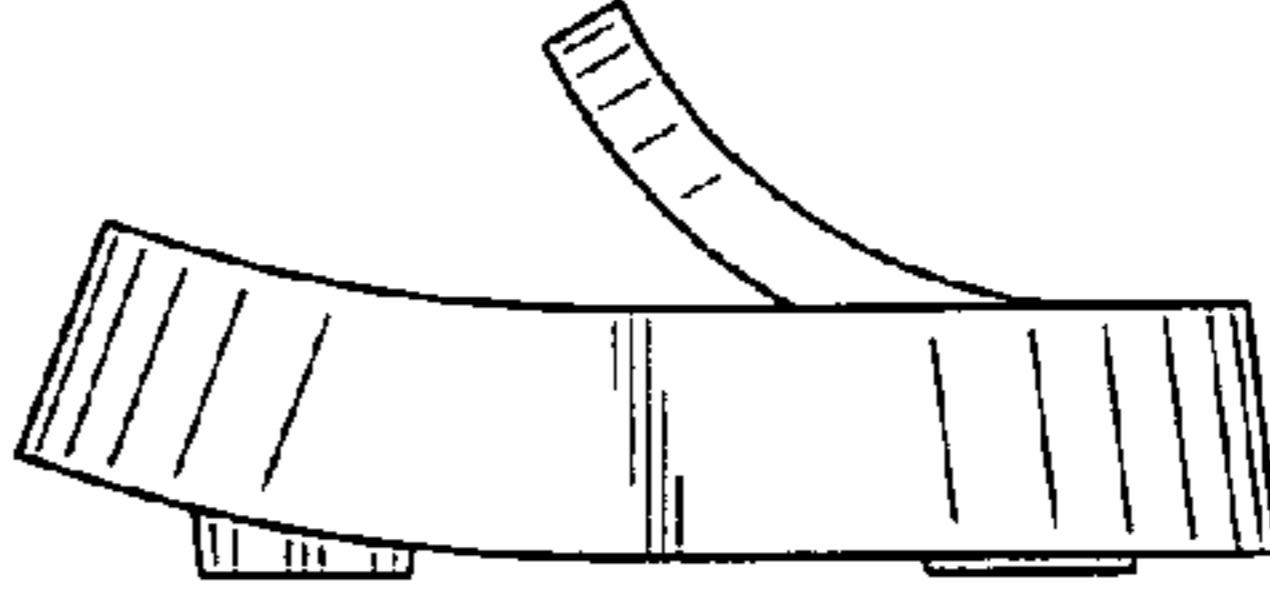


FIG. 5

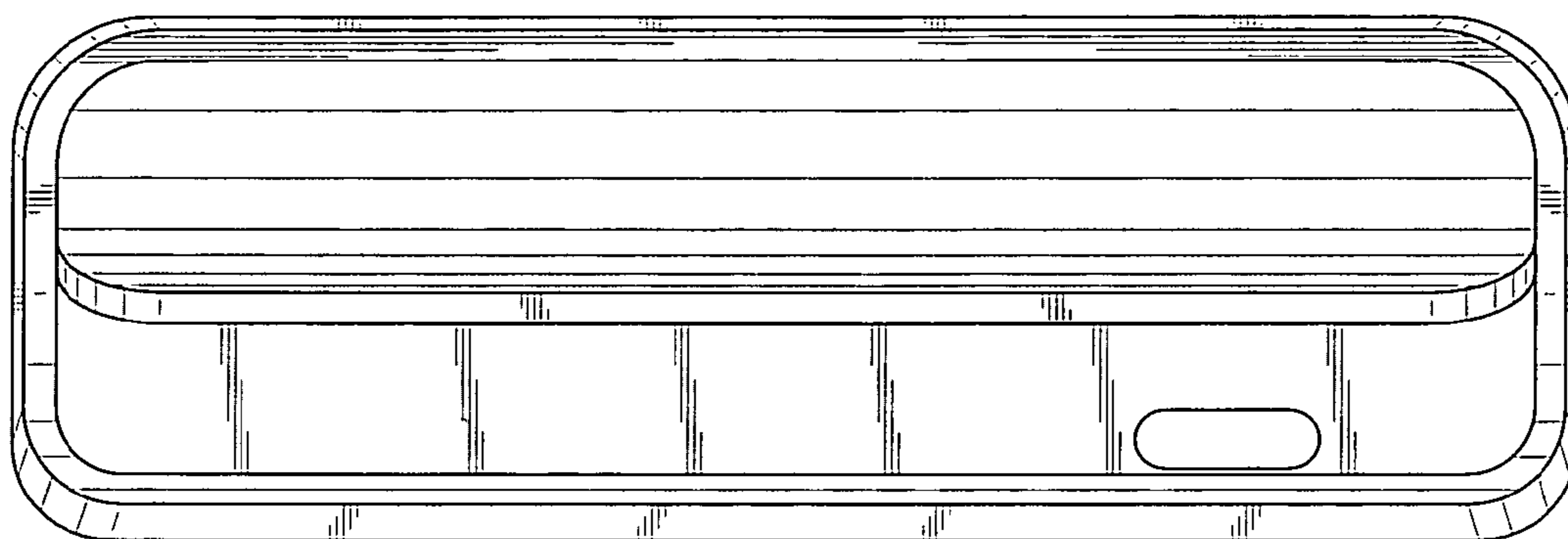


FIG. 6

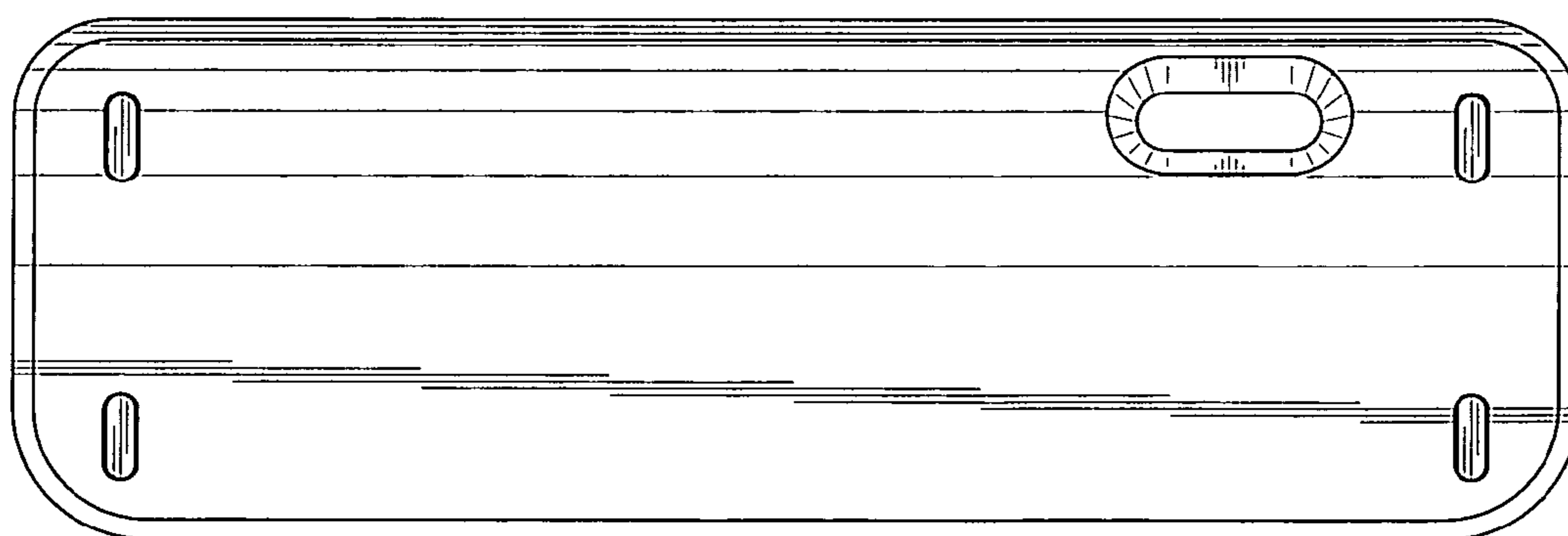


FIG. 7