



US00D642518S

(12) **United States Design Patent**
Kokawa

(10) **Patent No.:** **US D642,518 S**

(45) **Date of Patent:** **** Aug. 2, 2011**

(54) **BATTERY CHARGER**

(75) Inventor: **Kiyozumi Kokawa**, Anjo (JP)

(73) Assignee: **Makita Corporation**, Anjo-shi (JP)

(**) Term: **14 Years**

(21) Appl. No.: **29/385,879**

(22) Filed: **Feb. 22, 2011**

(30) **Foreign Application Priority Data**

Aug. 31, 2010 (JP) 2010-21010

(51) **LOC (9) Cl.** **13-02**

(52) **U.S. Cl.** **D13/107**

(58) **Field of Classification Search** D13/107-110,
D13/118-119, 184, 199; D14/217, 251,
D14/253, 432, 434; 320/107-115

See application file for complete search history.

(56) **References Cited**

U.S. PATENT DOCUMENTS

D409,976 S * 5/1999 Buck D13/107
D442,140 S * 5/2001 Kasuya et al. D13/107
D487,570 S * 3/2004 Ito et al. D13/107
D506,972 S * 7/2005 Parel et al. D13/107
D507,234 S * 7/2005 Heun D13/107

D507,525 S * 7/2005 Heun D13/107
D548,687 S * 8/2007 Okuda et al.
D605,111 S * 12/2009 Schoch D13/107
D610,085 S * 2/2010 Sweeney D13/107
D635,917 S * 4/2011 Okuda D13/107
D636,723 S * 4/2011 Yamamoto et al. D13/107

FOREIGN PATENT DOCUMENTS

JP S-D1354366 3/2009

* cited by examiner

Primary Examiner — Rosemary K Tarcza

(74) *Attorney, Agent, or Firm* — Oliff & Berridge, PLC

(57) **CLAIM**

The ornamental design for a battery charger, as shown and described.

DESCRIPTION

FIG. 1 is a perspective view of a battery charger;

FIG. 2 is a front view thereof;

FIG. 3 is a top view thereof;

FIG. 4 is a right-side view thereof;

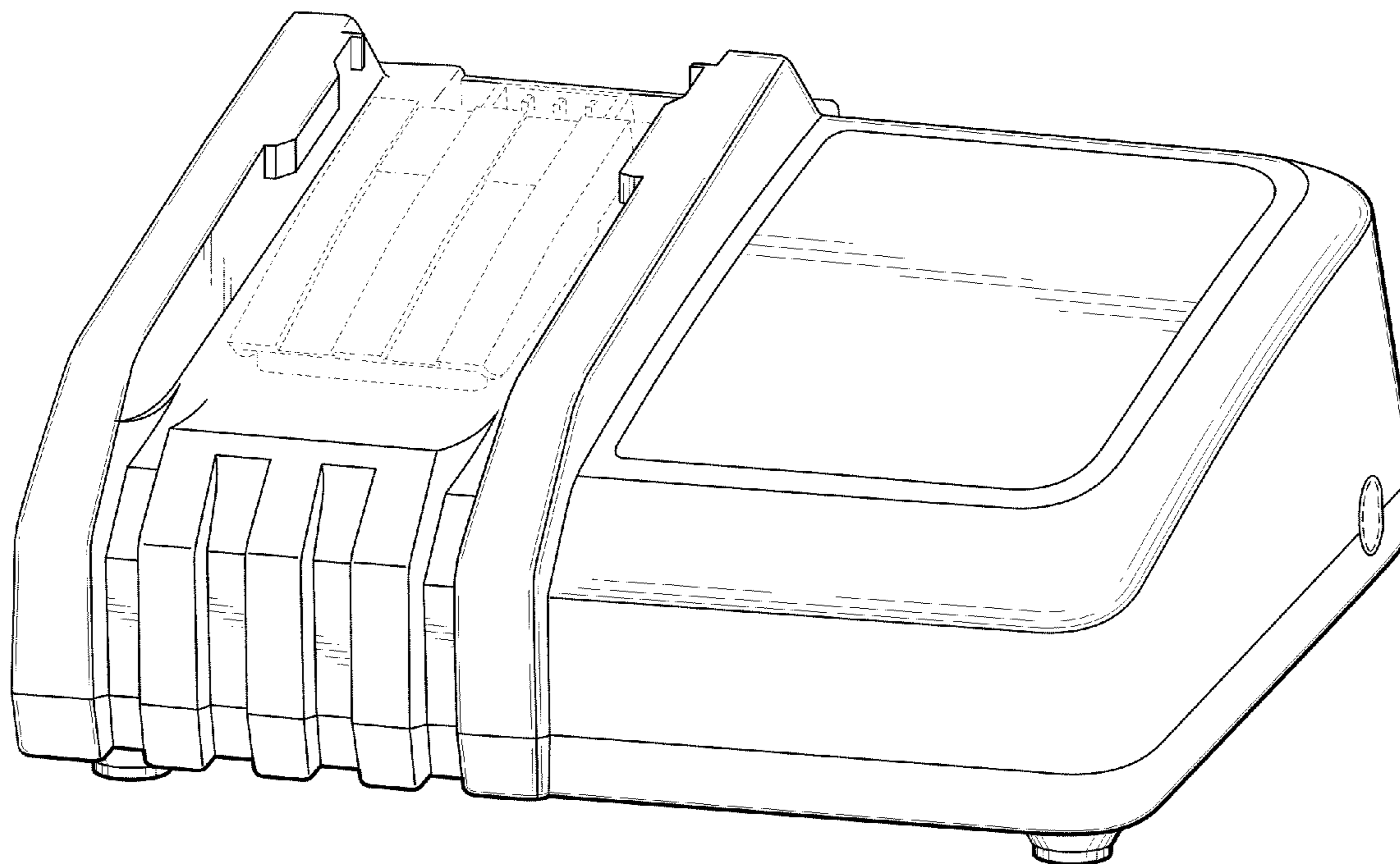
FIG. 5 is a left-side view thereof;

FIG. 6 is a rear view thereof; and,

FIG. 7 is a bottom view thereof.

The broken lines depict environmental subject matter only and form no part of the claimed design.

1 Claim, 4 Drawing Sheets



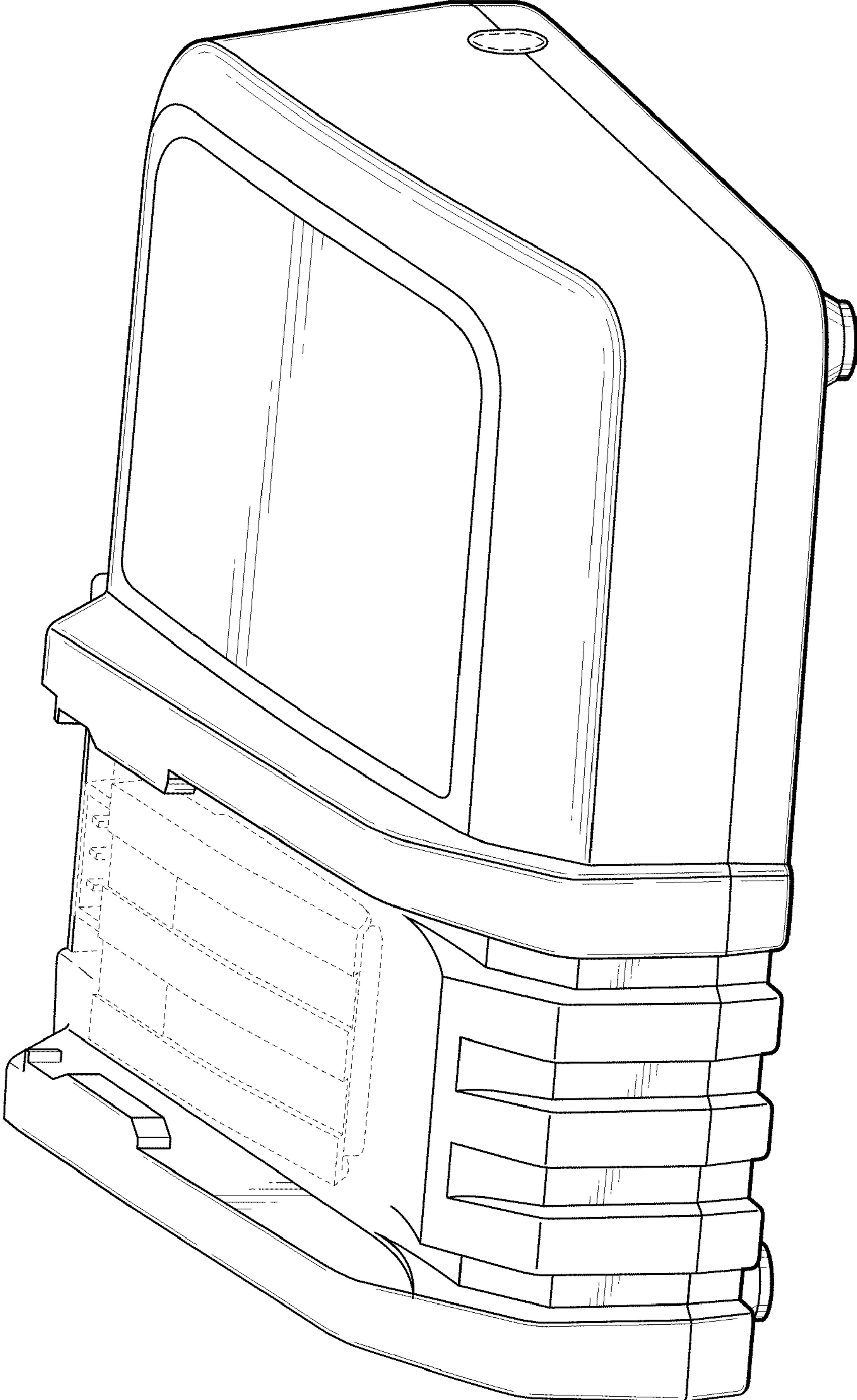


FIG. 1

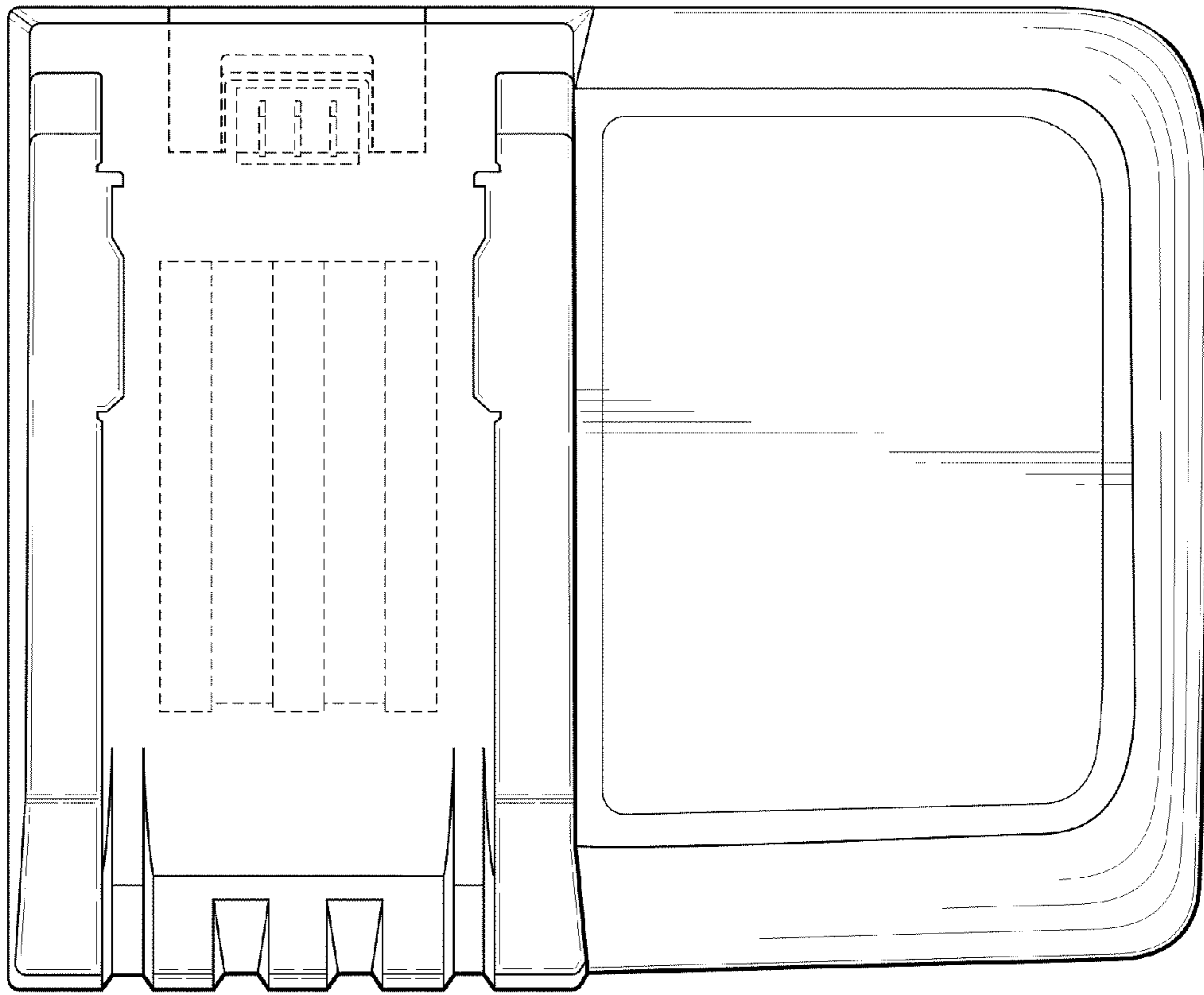


FIG. 3

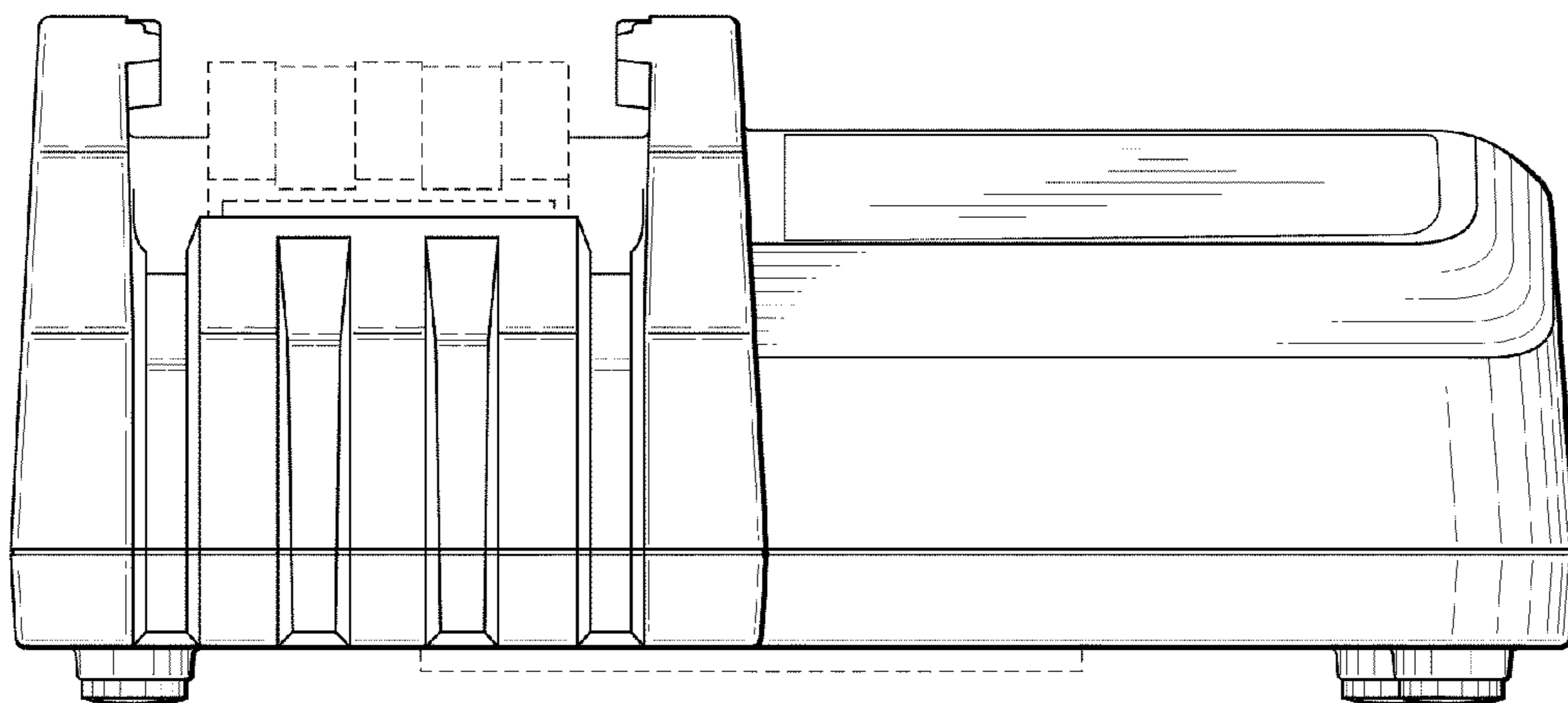


FIG. 2

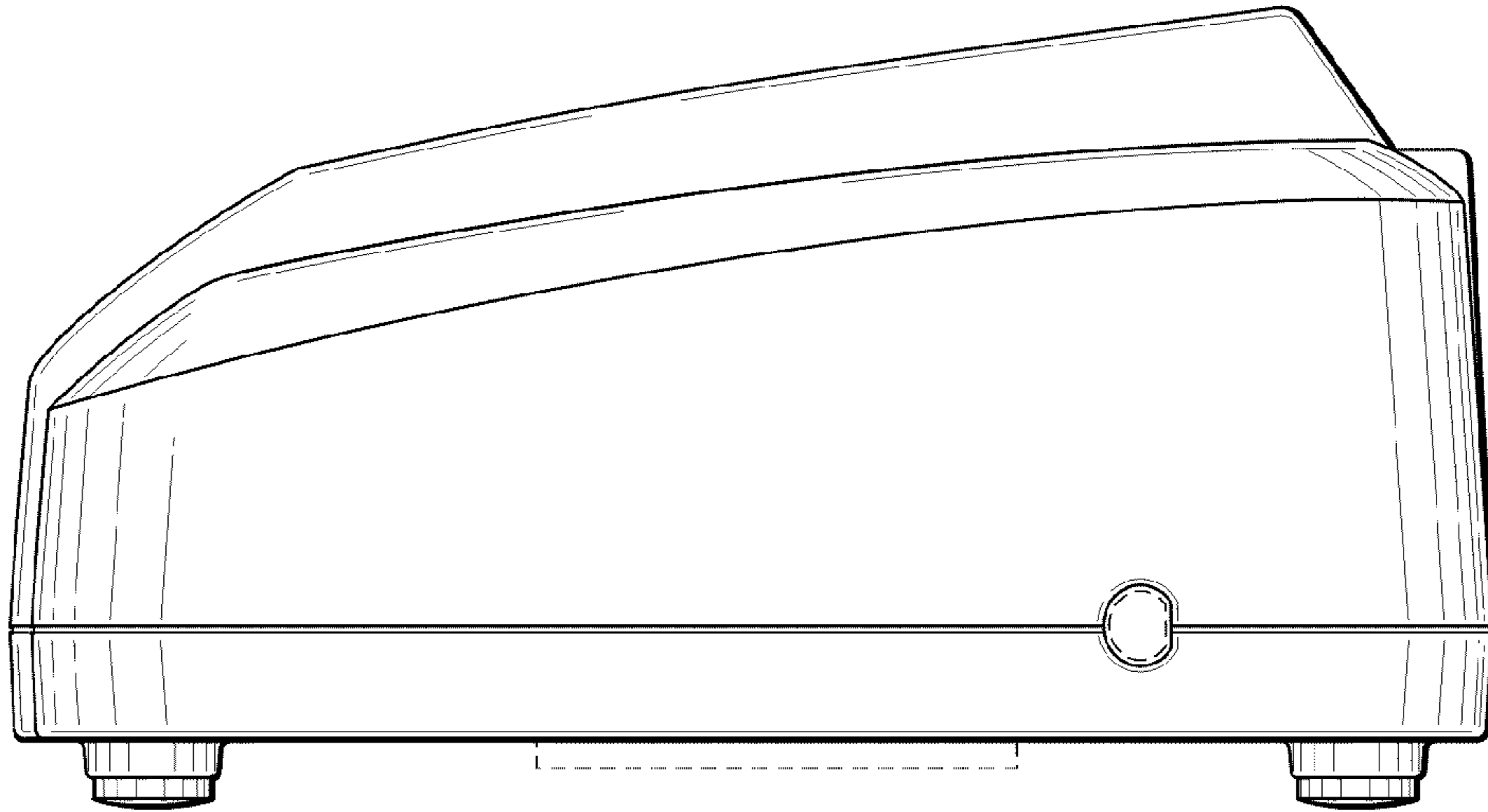


FIG. 4

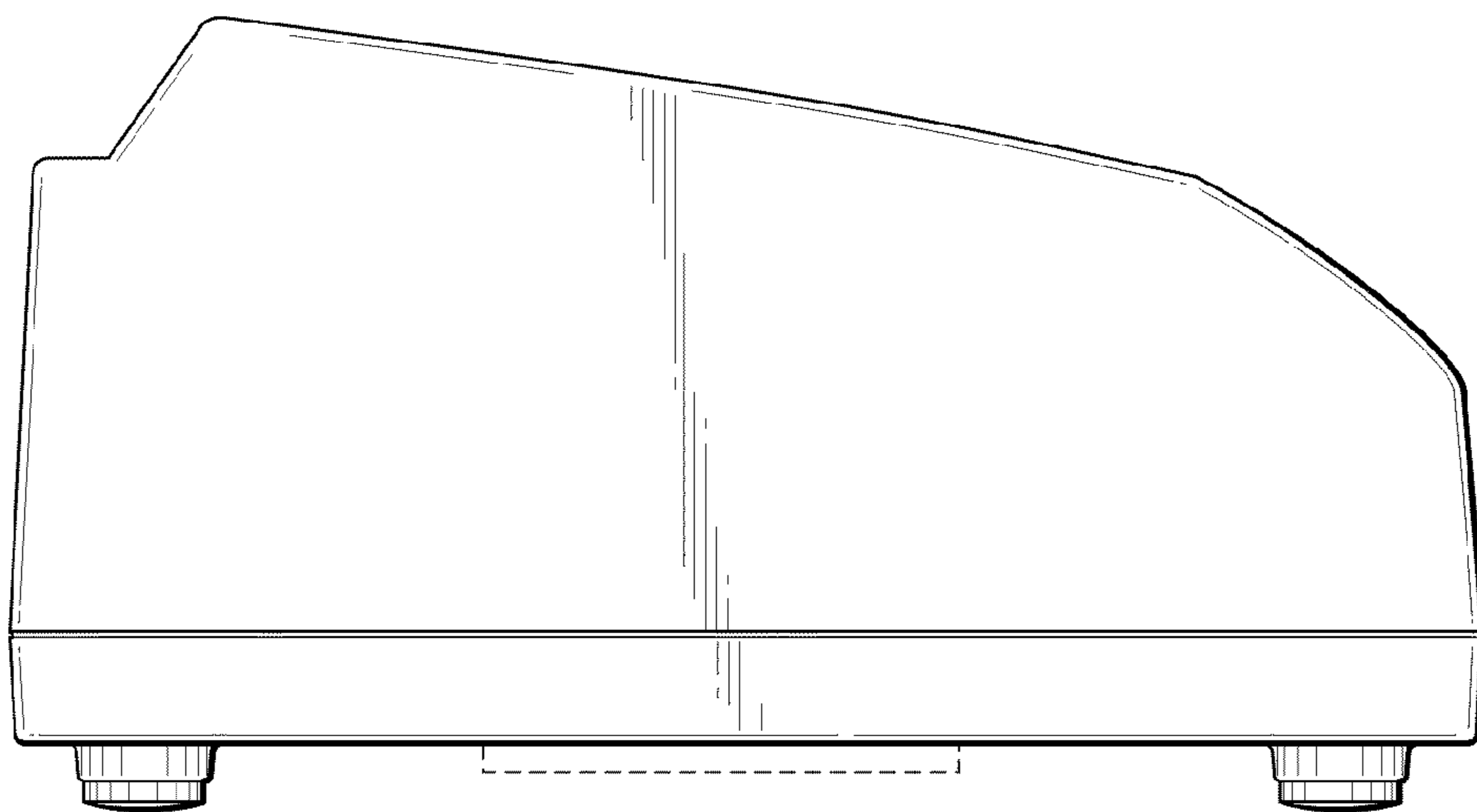


FIG. 5

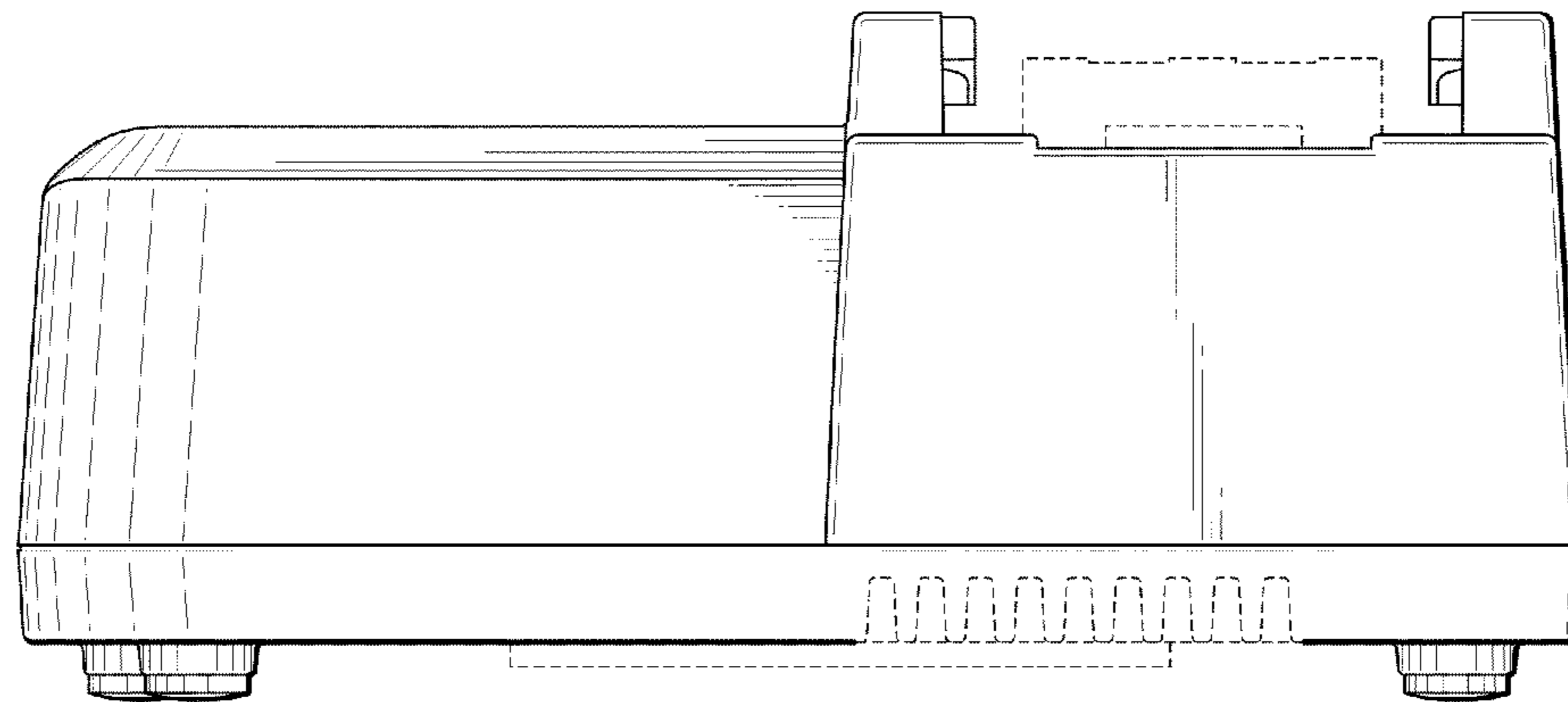


FIG. 6

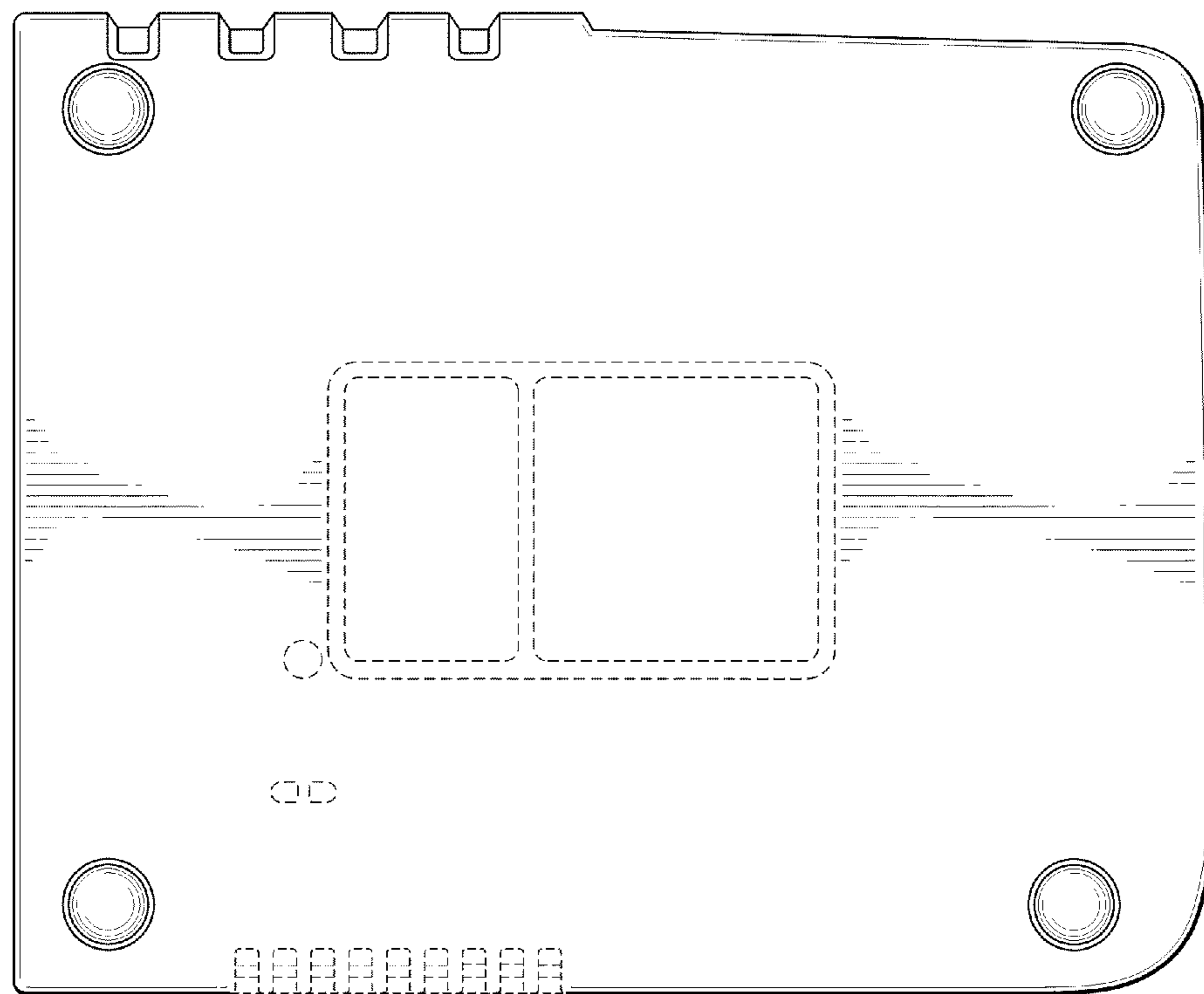


FIG. 7