

US00D642516S

(12) **United States Design Patent**
Ueda et al.

(10) **Patent No.:** **US D642,516 S**
(45) **Date of Patent:** **** Aug. 2, 2011**

- (54) **RECHARGEABLE BATTERY**
- (75) Inventors: **Arinobu Ueda**, Tokyo (JP); **Ryo Okura**, Tokyo (JP)
- (73) Assignee: **Sony Corporation**, Tokyo (JP)
- (**) Term: **14 Years**
- (21) Appl. No.: **29/347,299**
- (22) Filed: **Nov. 25, 2009**
- (30) **Foreign Application Priority Data**
 - May 29, 2009 (JP) D2009-012234
 - May 29, 2009 (JP) D2009-012235
 - Jun. 2, 2009 (JP) D2009-012348
 - Jun. 2, 2009 (JP) D2009-012349
- (51) **LOC (9) Cl.** **13-02**
- (52) **U.S. Cl.** **D13/103; D13/119**
- (58) **Field of Classification Search** D13/102–108, D13/110, 118–121, 133, 146–147, 154, 184, D13/199; 429/96–100, 149, 159, 163, 176, 429/177.186, 463; D14/432–435, 385, 435.1, D14/438; 320/107–115
See application file for complete search history.

- (56) **References Cited**
 - U.S. PATENT DOCUMENTS**
 - D316,853 S * 5/1991 Dickey D14/356
 - 5,308,716 A * 5/1994 Shababy et al. 429/97
 - D351,133 S * 10/1994 Jungels-Butler et al. D13/108
 - D394,055 S * 5/1998 Tyler D14/438
 - D409,136 S 5/1999 Sumita et al.
 - D440,201 S * 4/2001 Huynh et al. D13/103
 - D491,137 S 6/2004 Suzuki
 - D491,144 S * 6/2004 Jiang D14/435.1
 - D499,099 S * 11/2004 Su et al. D14/385

- D502,947 S * 3/2005 Zhang et al. D14/385
 - D508,018 S 8/2005 Yokota
 - D516,021 S * 2/2006 Cheng D13/107
 - D519,919 S 5/2006 Yokota
 - D525,194 S * 7/2006 Nagai et al. D13/110
 - D526,612 S 8/2006 Sugeno et al.
 - D559,177 S 1/2008 Ueda
 - D562,818 S * 2/2008 Chen D14/385
 - D571,718 S * 6/2008 Morris et al. D13/103
 - D594,866 S * 6/2009 Lin D14/385
 - D604,725 S * 11/2009 Chen D14/240
 - D624,500 S * 9/2010 Chan D13/144
 - D624,548 S * 9/2010 Yamamoto D14/433
 - D626,072 S * 10/2010 Tseng et al. D13/144
 - D627,729 S * 11/2010 Smith et al. D13/138.1
 - D631,837 S * 2/2011 Smith et al. D13/108
 - D631,885 S * 2/2011 Maier D14/435.1
 - 2007/0229025 A1 * 10/2007 Tsai et al. 320/111
- * cited by examiner

Primary Examiner — Rosemary K Tarcza
(74) *Attorney, Agent, or Firm* — Rader, Fishman & Grauer PLLC

(57) **CLAIM**
The ornamental design for a rechargeable battery, as shown and described.

DESCRIPTION

FIG. 1 is a top, right, front perspective view of a rechargeable battery showing our new design;
FIG. 2 is a top, left, front perspective view thereof;
FIG. 3 is a top, left, rear perspective view thereof; and,
FIG. 4 is a top plan view thereof.

The broken lines shown in the drawings are included for the purpose of illustrating unclaimed portions of the rechargeable battery and form no part of the claimed design. The dash-dot broken lines represent the boundaries of the claimed design and form no part of the claimed design.

1 Claim, 3 Drawing Sheets

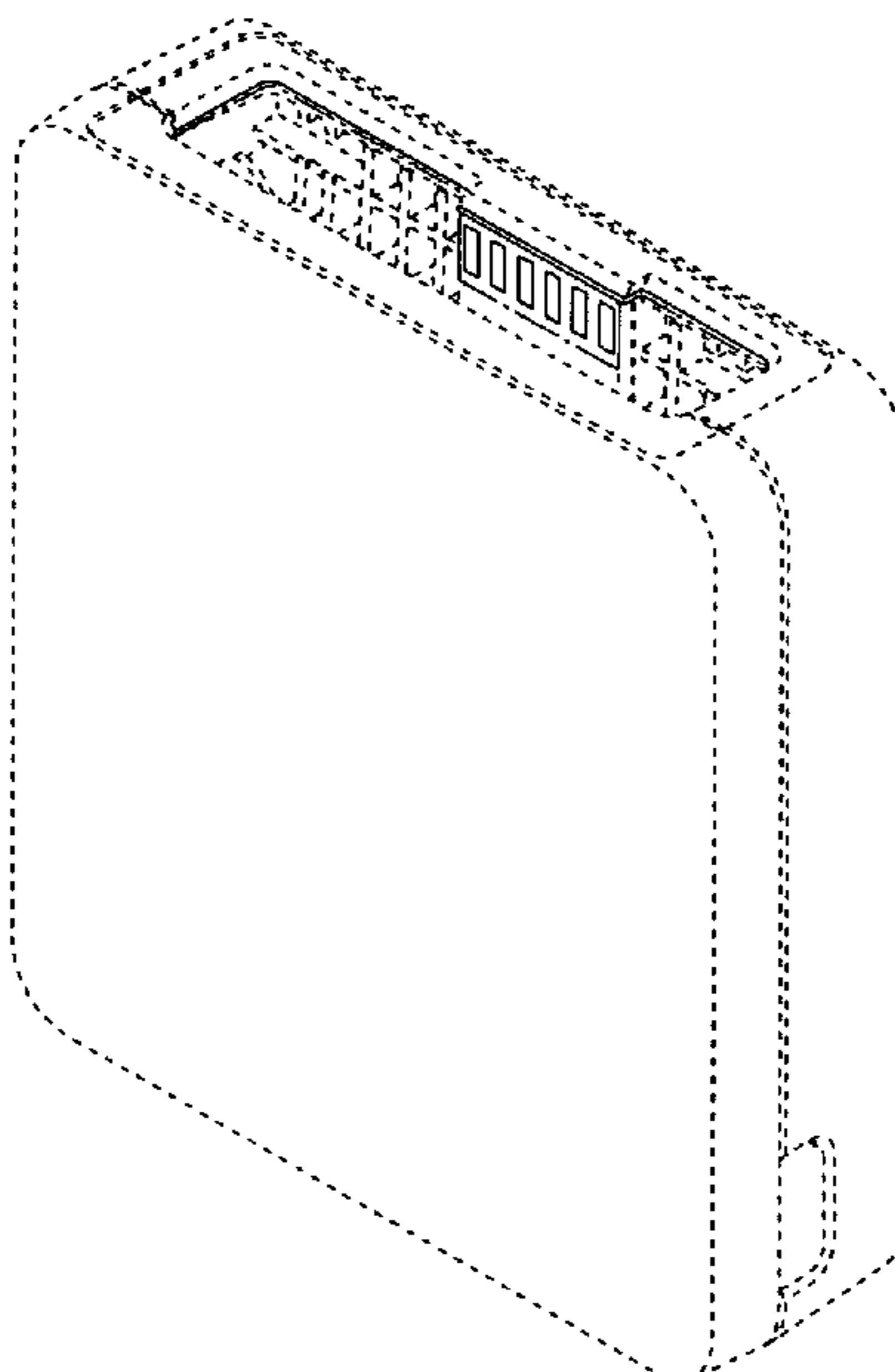


FIG. 1

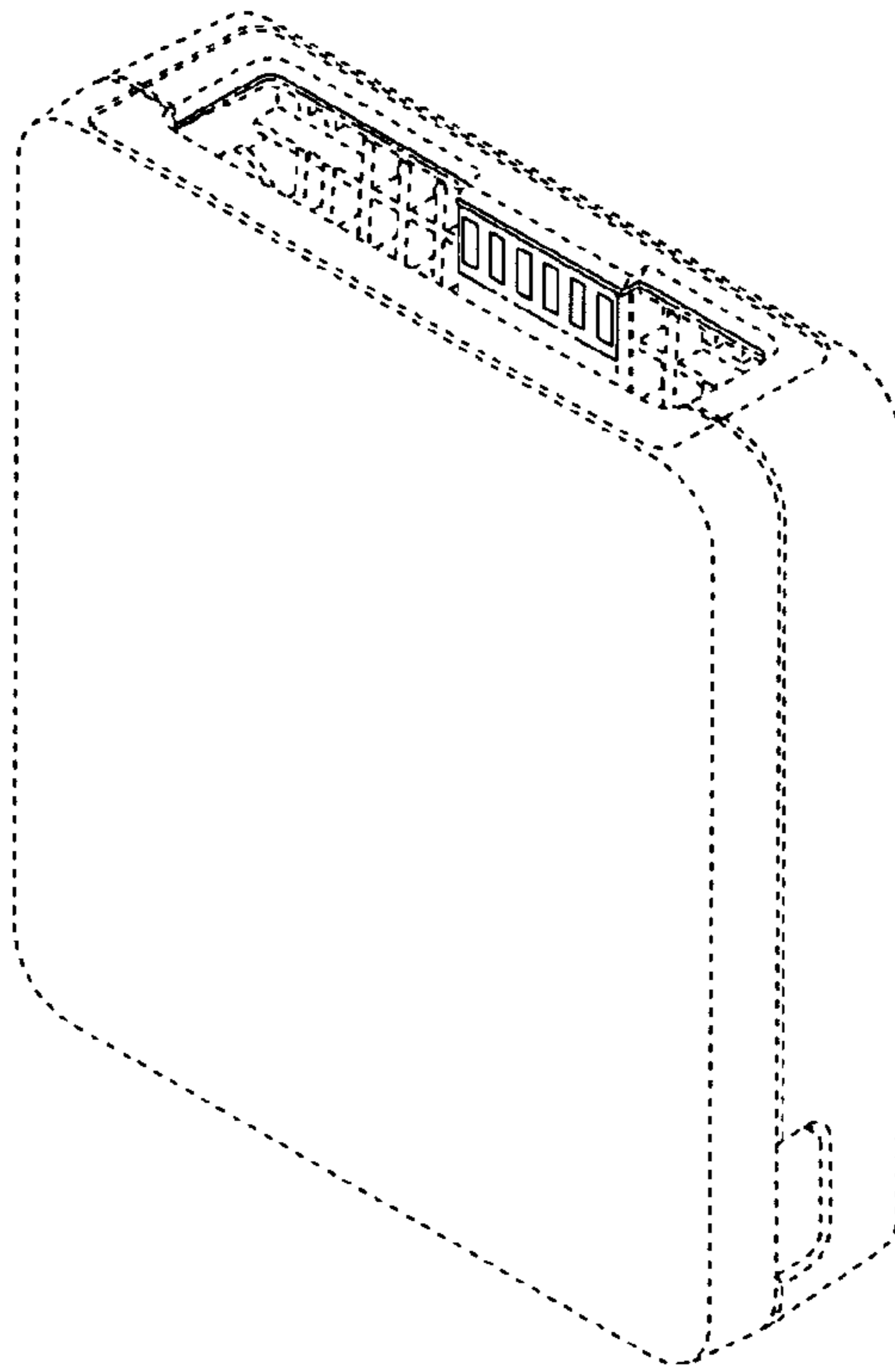


FIG. 2

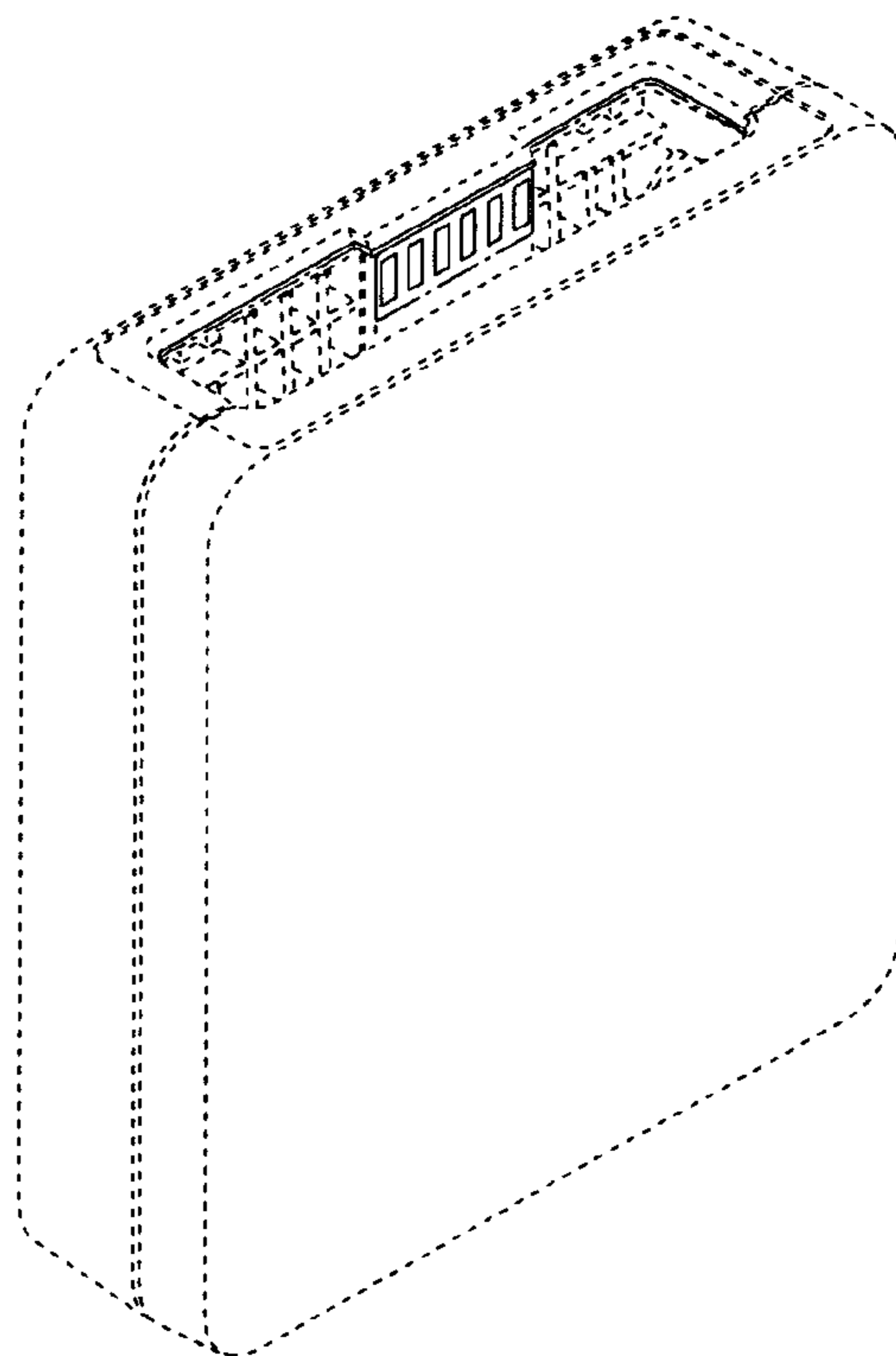


FIG. 3

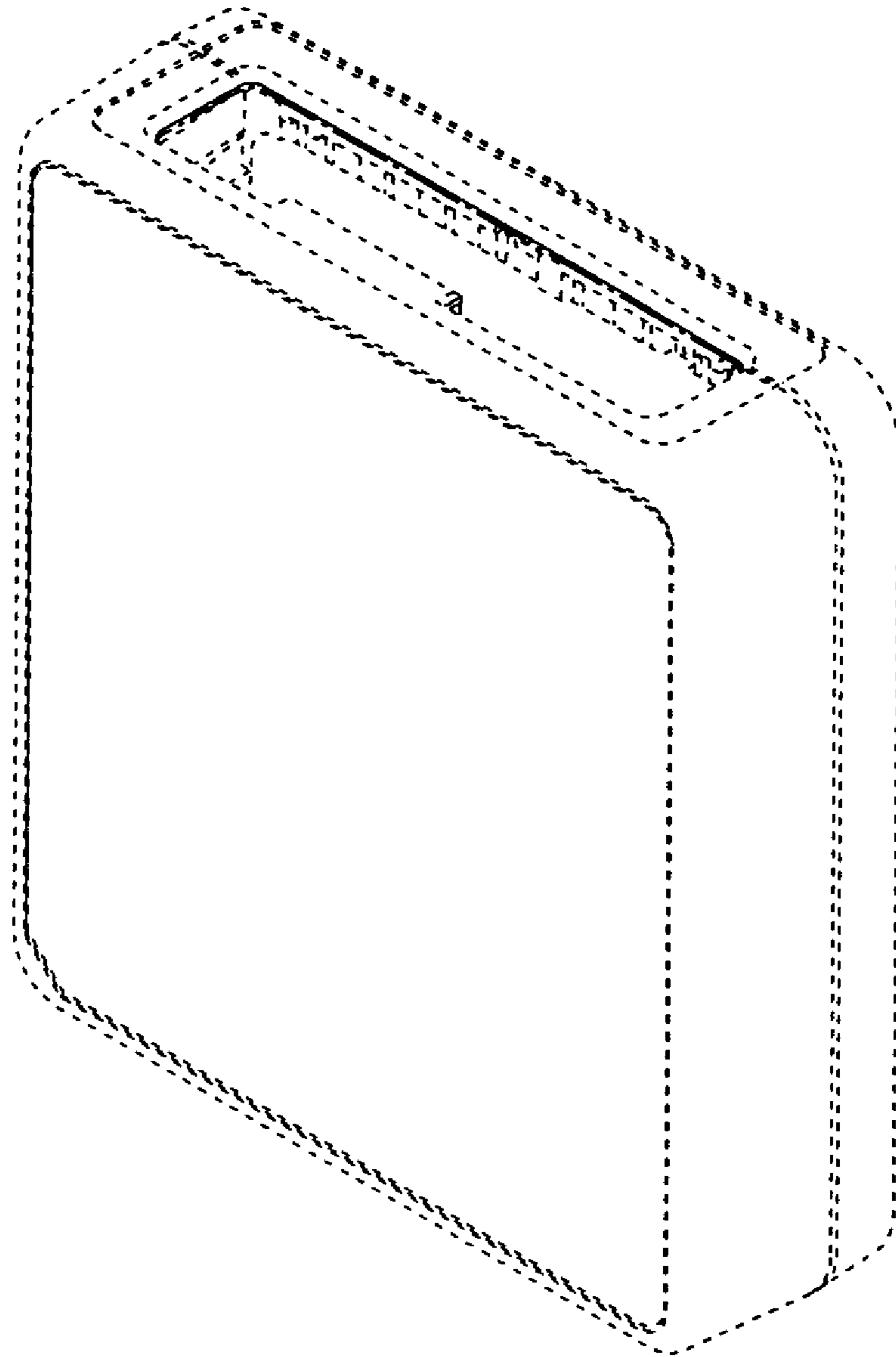


FIG. 4

