



US00D642515S

(12) **United States Design Patent**  
**Crawford et al.**

(10) **Patent No.:** **US D642,515 S**

(45) **Date of Patent:** **\*\* Aug. 2, 2011**

(54) **SOLAR POWER DEVICE**

(75) Inventors: **John D. Crawford**, Avon, OH (US);  
**David J. Hine**, Syracuse, NY (US);  
**David A. Furth**, Skaneateles, NY (US);  
**Mark A. Ferguson**, Memphis, NY (US)

(73) Assignee: **Eveready Battery Company, Inc.**, St. Louis, MO (US)

(\*\*) Term: **14 Years**

(21) Appl. No.: **29/385,651**

(22) Filed: **Feb. 17, 2011**

(51) **LOC (9) Cl.** ..... **13-02**

(52) **U.S. Cl.** ..... **D13/102**

(58) **Field of Classification Search** ..... D13/102,  
D13/101, 103, 107, 108, 110, 184, 199; 126/569,  
126/572, 574, 578; 136/206, 214, 243, 245,  
136/246, 251, 252, 256; 320/101; 323/906

See application file for complete search history.

(56) **References Cited**

U.S. PATENT DOCUMENTS

D395,279 S \* 6/1998 Peress et al. .... D13/107  
D467,225 S \* 12/2002 Sudo ..... D13/102

D479,191 S \* 9/2003 Peress et al. .... D13/102  
D487,884 S \* 3/2004 Peress et al. .... D13/102  
D533,675 S \* 12/2006 Didier et al. .... D26/67  
D606,489 S \* 12/2009 Sasada et al. .... D13/102

\* cited by examiner

*Primary Examiner* — Stella Reid

*Assistant Examiner* — Derrick Holland

(74) *Attorney, Agent, or Firm* — Michael C. Pophal

(57) **CLAIM**

We claim the ornamental design for a solar power device, as shown and described.

**DESCRIPTION**

FIG. 1 is a front perspective view of a solar power device showing our new design;

FIG. 2 is a rear perspective view thereof;

FIG. 3 is a front view thereof;

FIG. 4 is a rear view thereof;

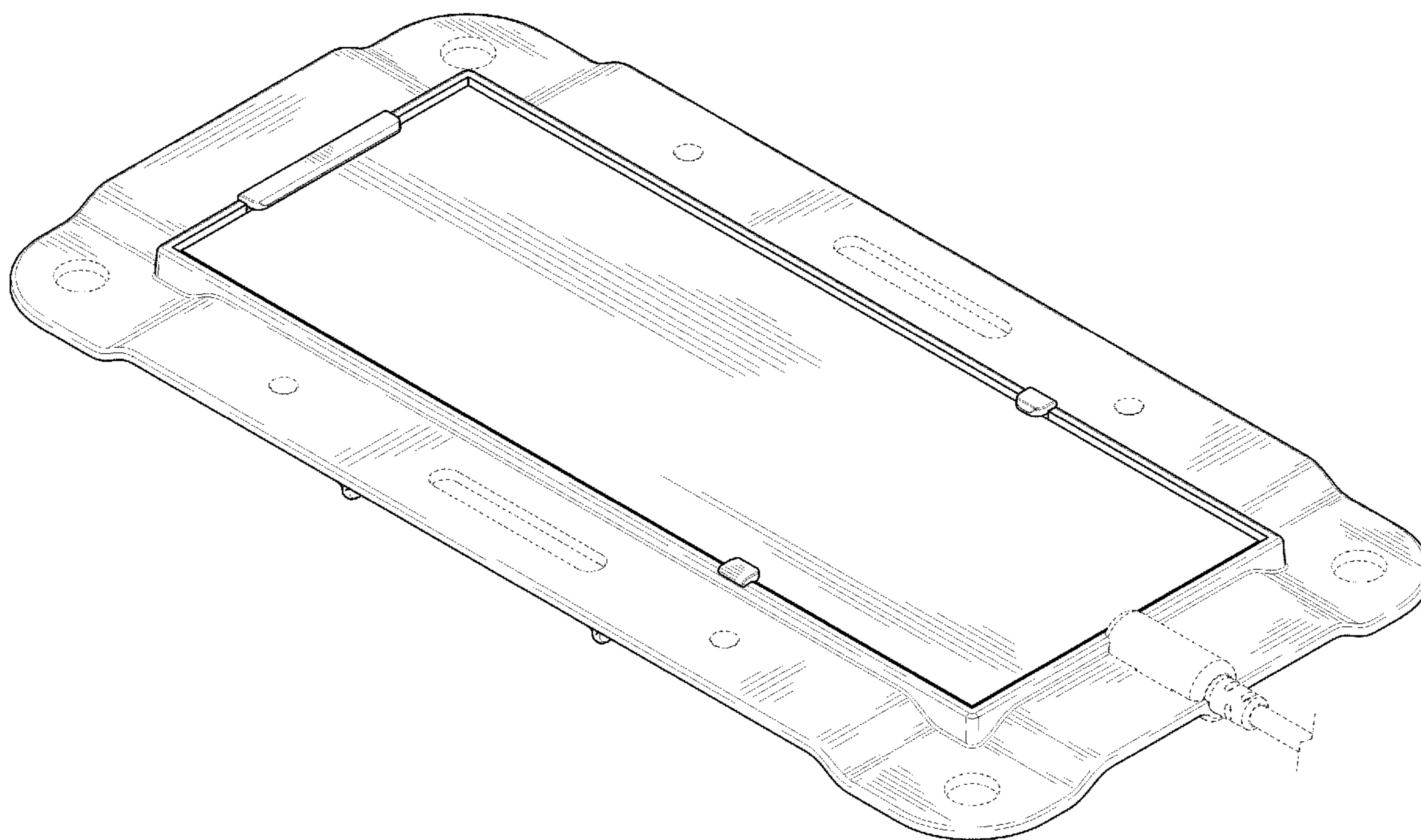
FIG. 5 is a left side view thereof, the right side being a mirror image;

FIG. 6 is a bottom plan view thereof; and,

FIG. 7 is a top plan view thereof.

The broken lines shown represent unclaimed subject matter and form no part of the claimed design.

**1 Claim, 5 Drawing Sheets**



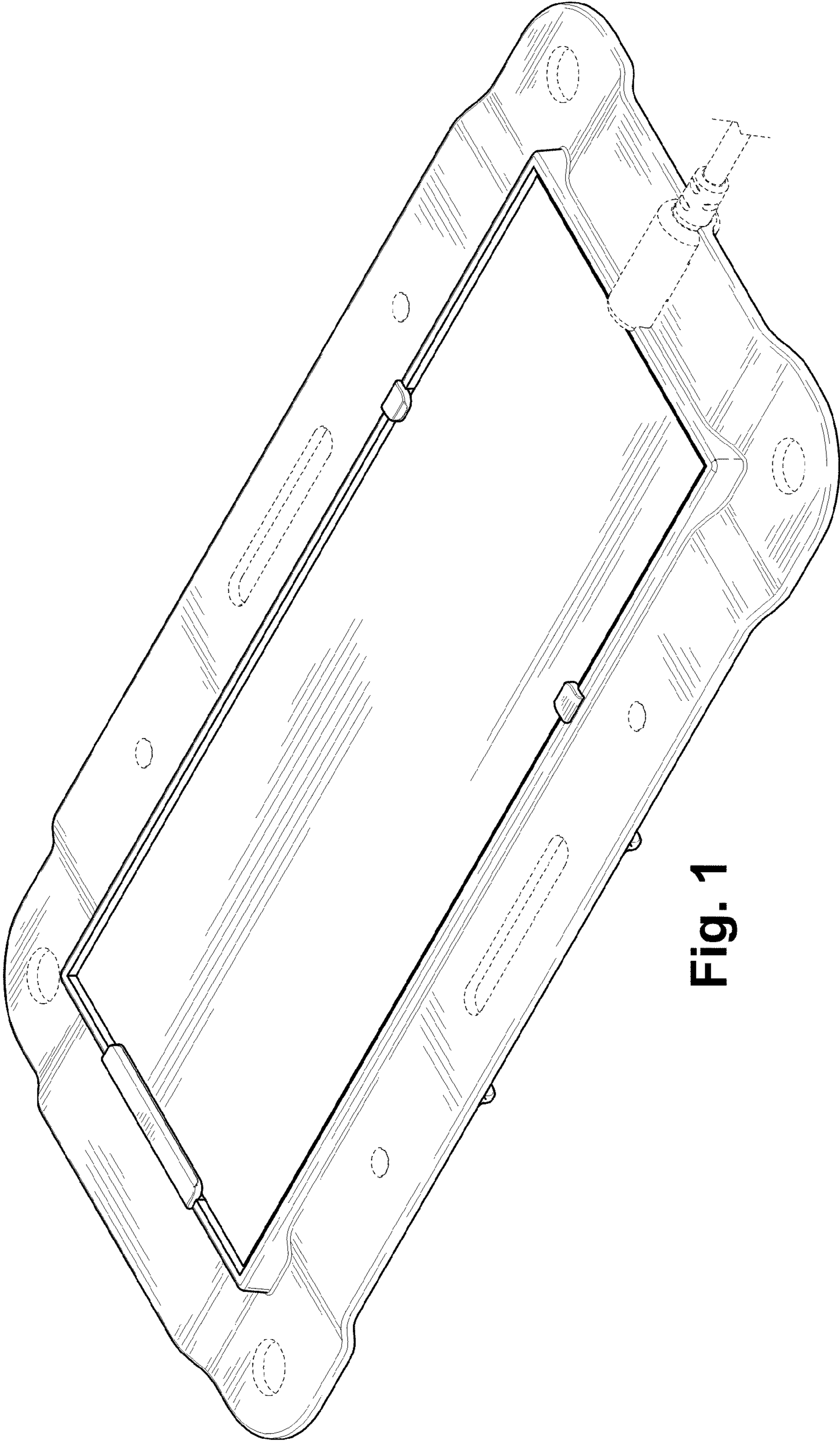


Fig. 1

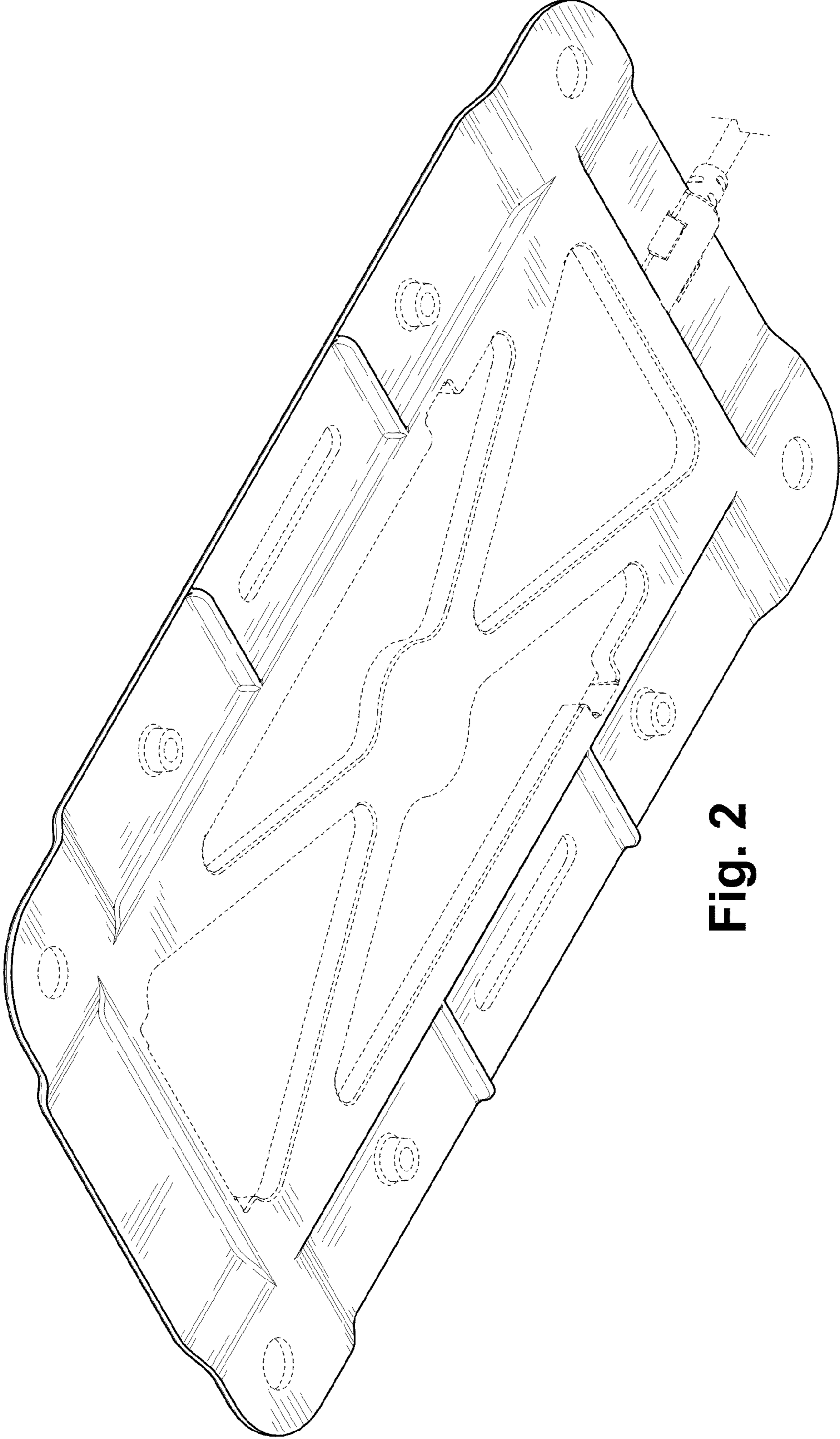


Fig. 2



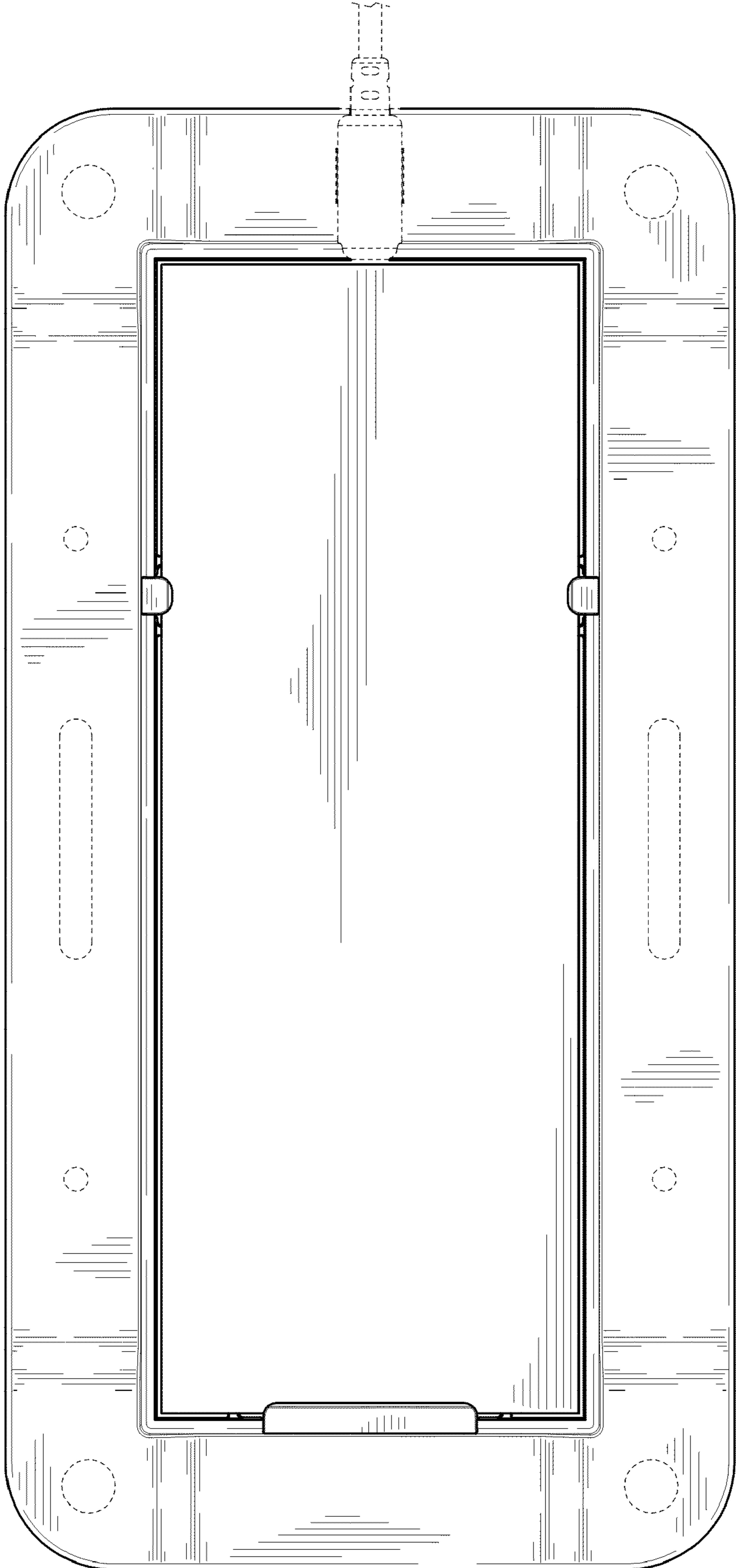


Fig. 3

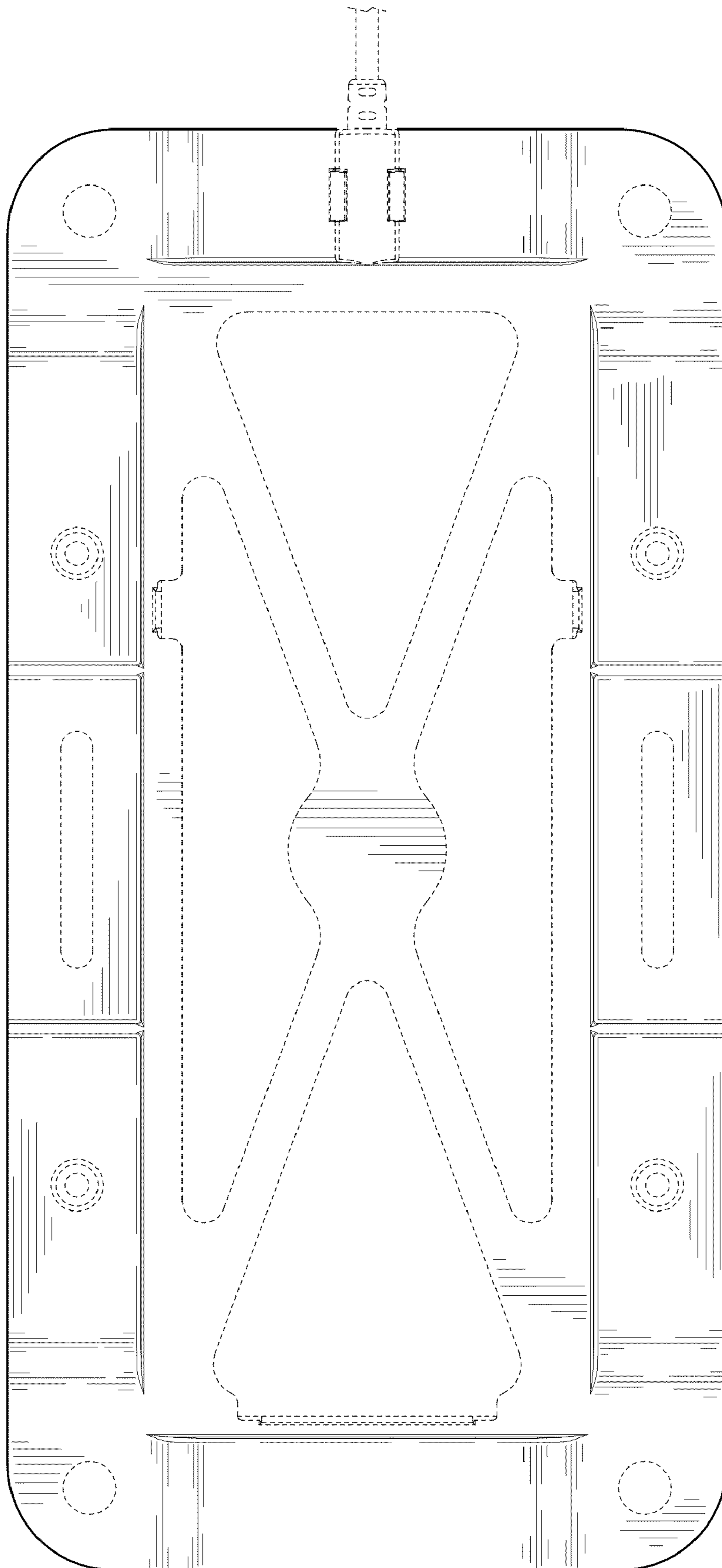


Fig. 4

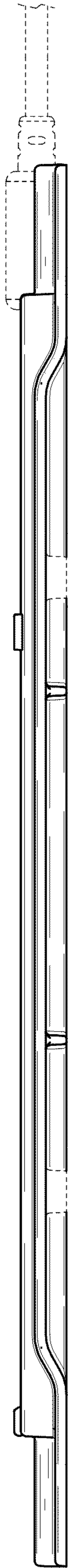


Fig. 5

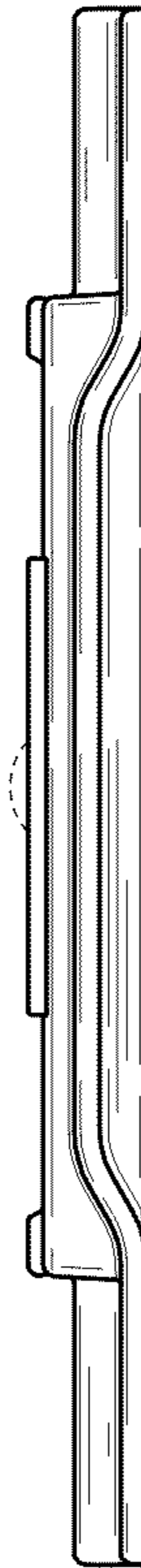


Fig. 6



Fig. 7