



US00D642513S

(12) **United States Design Patent**
Chen

(10) **Patent No.:** **US D642,513 S**

(45) **Date of Patent:** **** Aug. 2, 2011**

(54) **SOLAR POWERED CASE**

(76) Inventor: **Chi Gon Chen**, Guang Zhou (CN)

(**) Term: **14 Years**

(21) Appl. No.: **29/321,178**

(22) Filed: **Jul. 11, 2008**

(51) **LOC (9) Cl.** **13-02**

(52) **U.S. Cl.** **D13/102**

(58) **Field of Classification Search** D13/102,
D13/101, 103, 107, 108, 110, 184, 199; D3/273,
D3/274, 294; D9/414, 418, 420; 136/206,
136/243, 244, 245, 251, 252; 206/349, 446,
206/573, 701, 703; 320/101, 102, 114, 115,
320/120; 323/906

See application file for complete search history.

(56) **References Cited**

U.S. PATENT DOCUMENTS

| | | | | |
|---------------|---------|----------------|-------|---------|
| D256,840 S * | 9/1980 | Katz | | D13/102 |
| D279,214 S * | 6/1985 | Hanson | | D13/102 |
| D288,956 S * | 3/1987 | Wadleigh | | D13/102 |
| 5,413,223 A * | 5/1995 | Kang | | 206/573 |
| D365,206 S * | 12/1995 | Goodman | | D3/273 |
| 5,522,943 A * | 6/1996 | Spencer et al. | | 136/245 |
| D467,225 S * | 12/2002 | Sudo | | D13/102 |

| | | | | |
|--------------|---------|---------------|-------|---------|
| D479,191 S * | 9/2003 | Peress et al. | | D13/102 |
| D517,006 S * | 3/2006 | Bessmertny | | D13/102 |
| D582,842 S * | 12/2008 | Wei | | D13/102 |

* cited by examiner

Primary Examiner — Stella Reid

Assistant Examiner — Derrick Holland

(74) *Attorney, Agent, or Firm* — David W. Carstens; Jeffrey G. Degenfelder; Carstens & Cahoon, LLP

(57) **CLAIM**

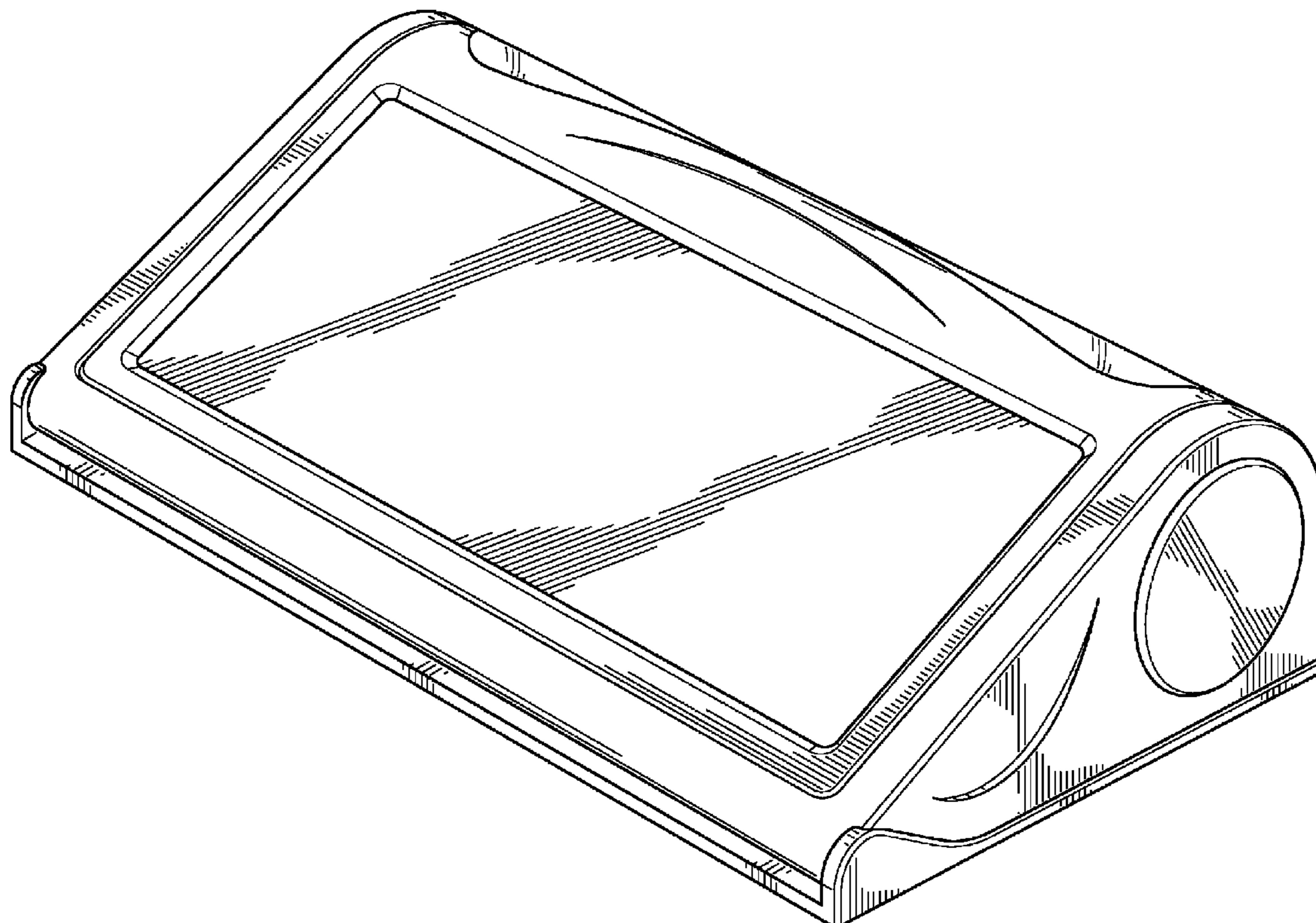
The ornamental design for a solar powered case, as shown and described.

DESCRIPTION

FIG. 1 is a front perspective view of the solar powered case of the present invention in a closed position; FIG. 2 is a front elevation thereof; FIG. 3 is a top plan view thereof; FIG. 4 is a right side elevation view, the left side elevation view being a mirror image thereof; FIG. 5 is a rear perspective view thereof; FIG. 6 is a rear elevation view thereof; FIG. 7 is a bottom plan view thereof; and, FIG. 8 is a rear perspective view thereof, shown in an open condition.

The broken lines are shown in the views for illustrative purposes only and form no part of the claimed design.

1 Claim, 7 Drawing Sheets



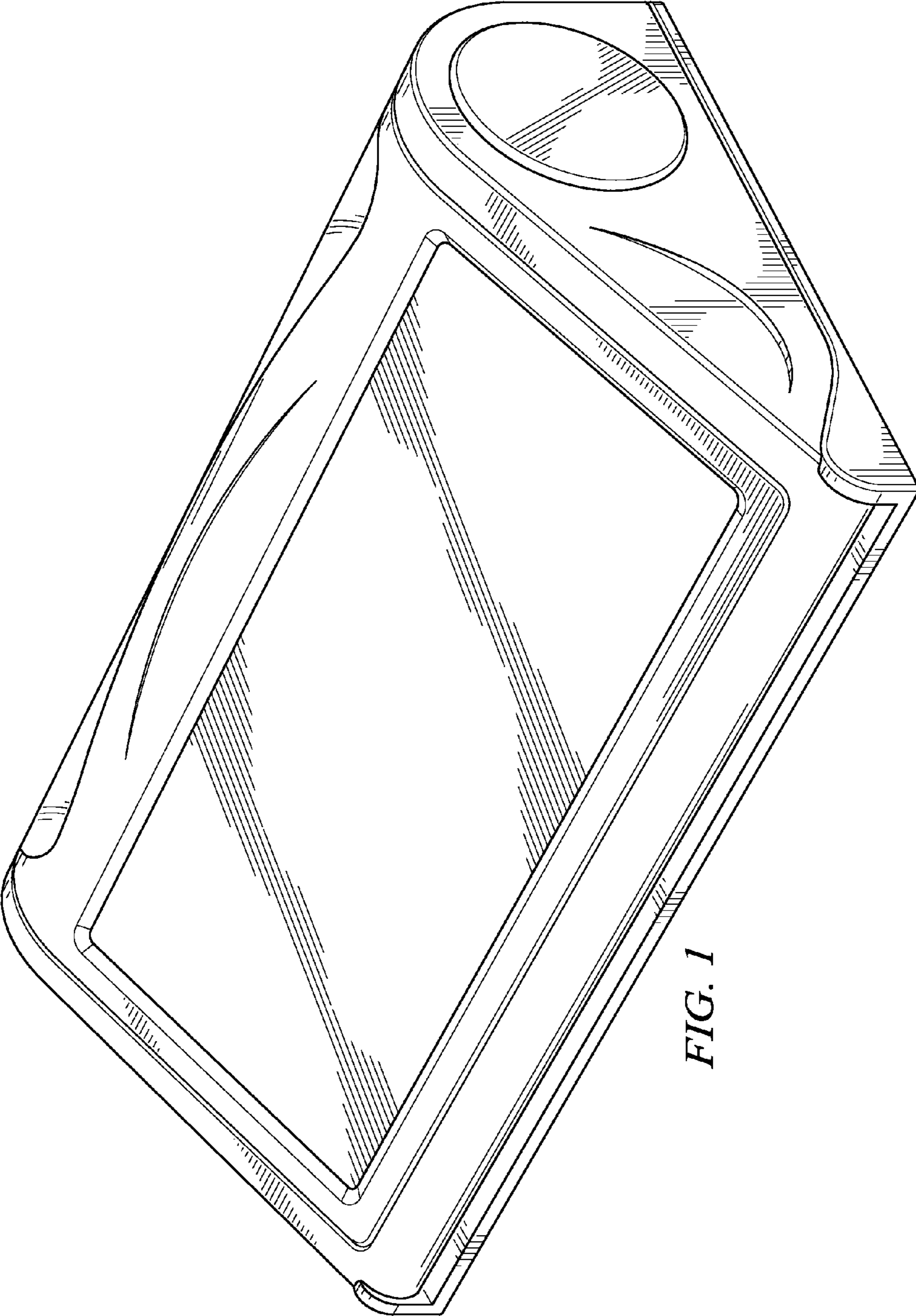


FIG. 1

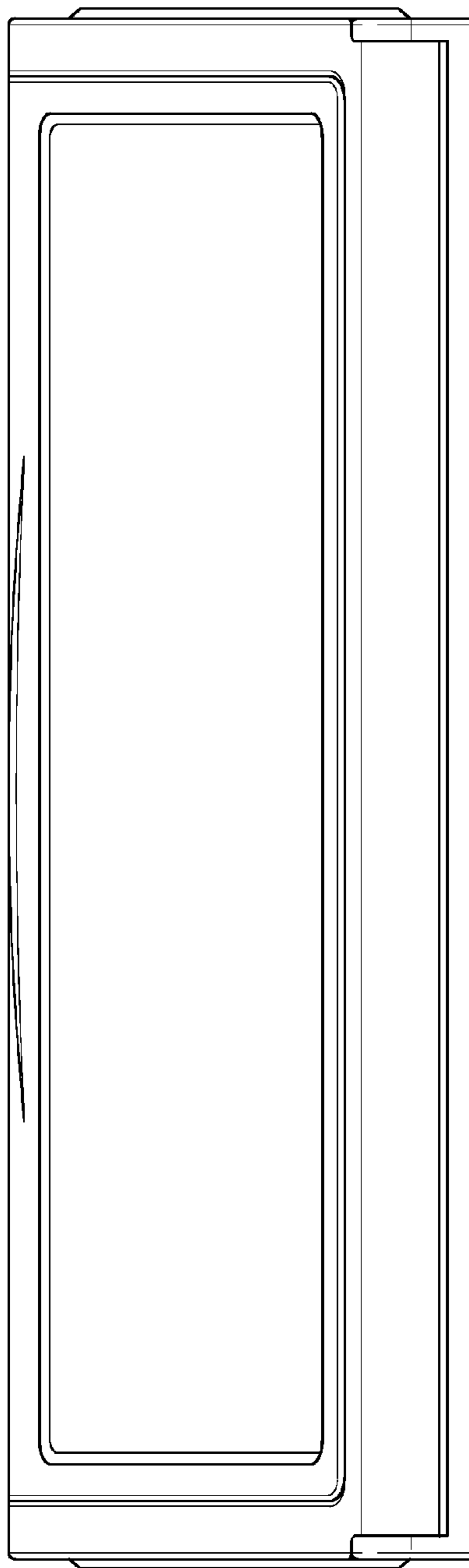


FIG. 2

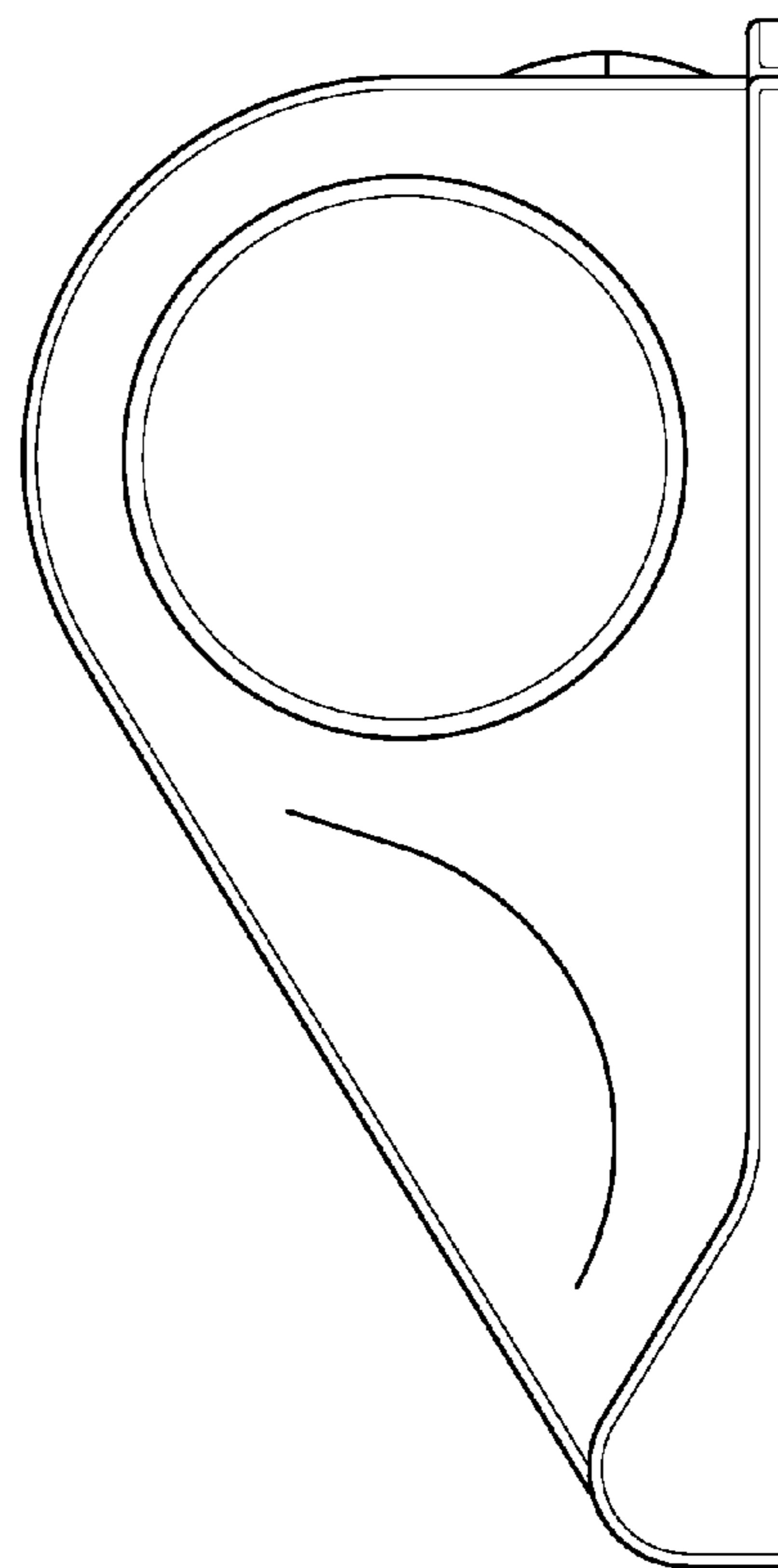


FIG. 4

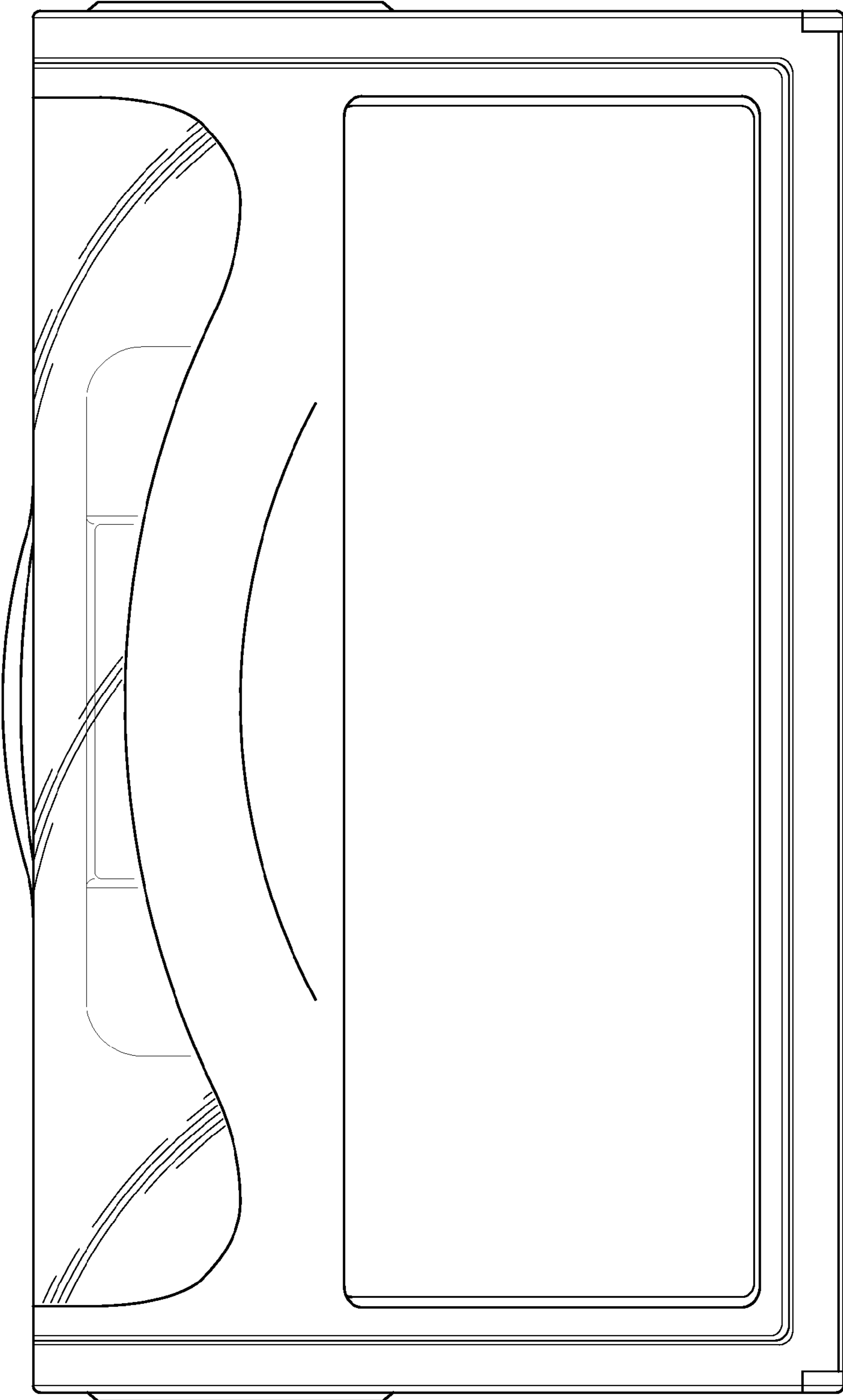


FIG. 3

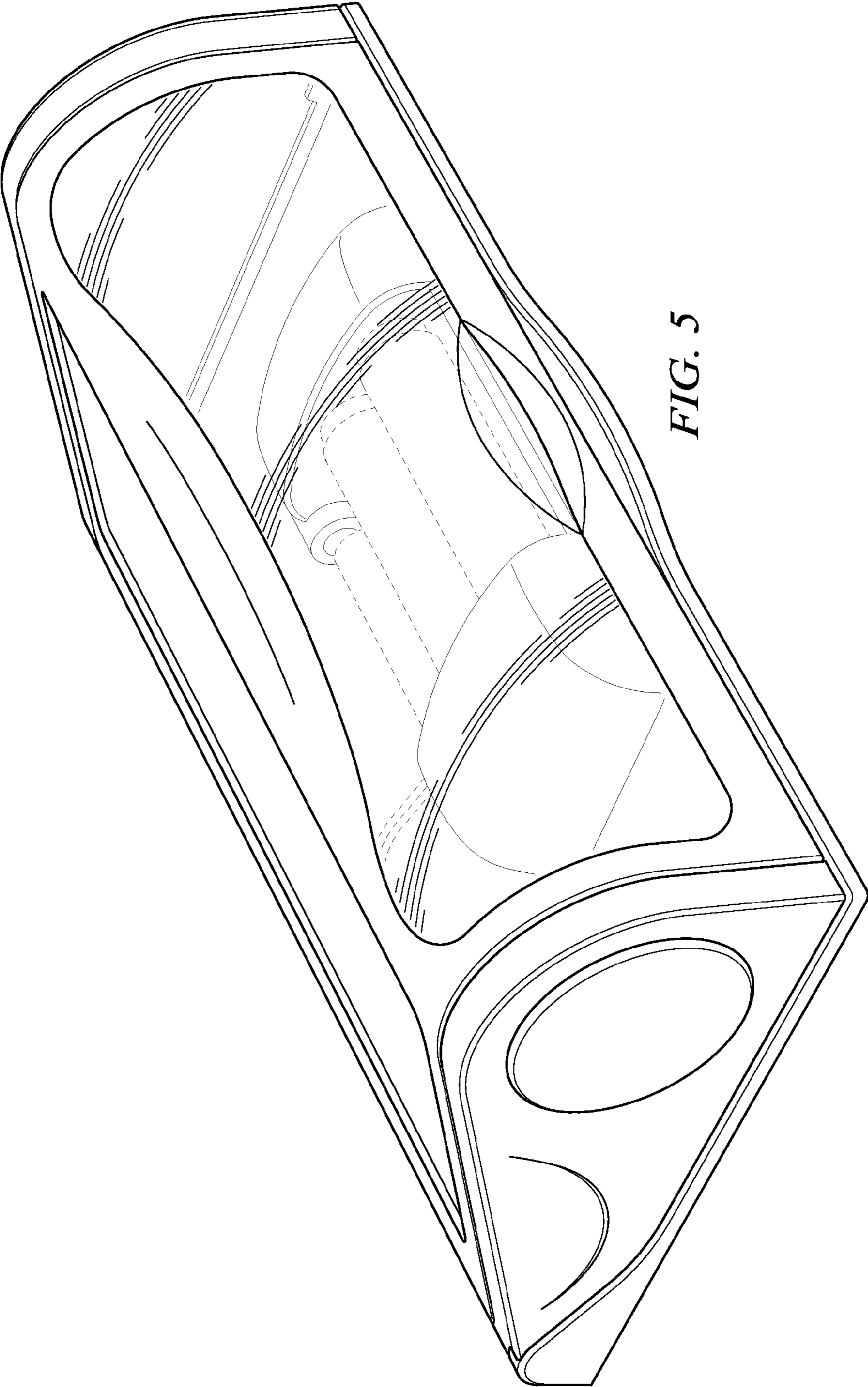


FIG. 5

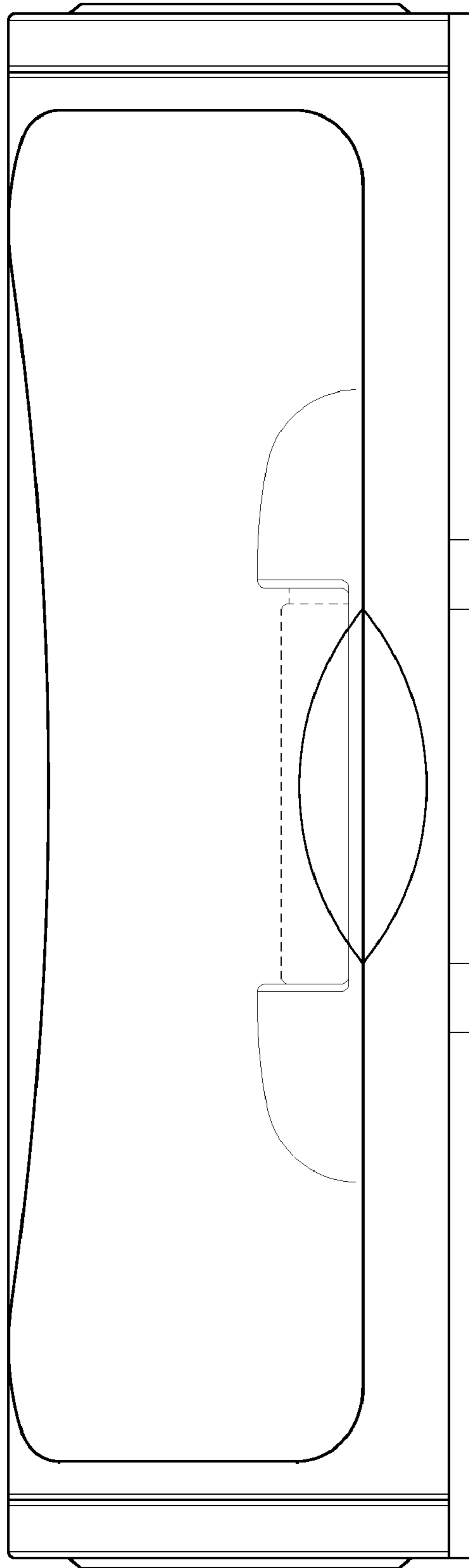


FIG. 6

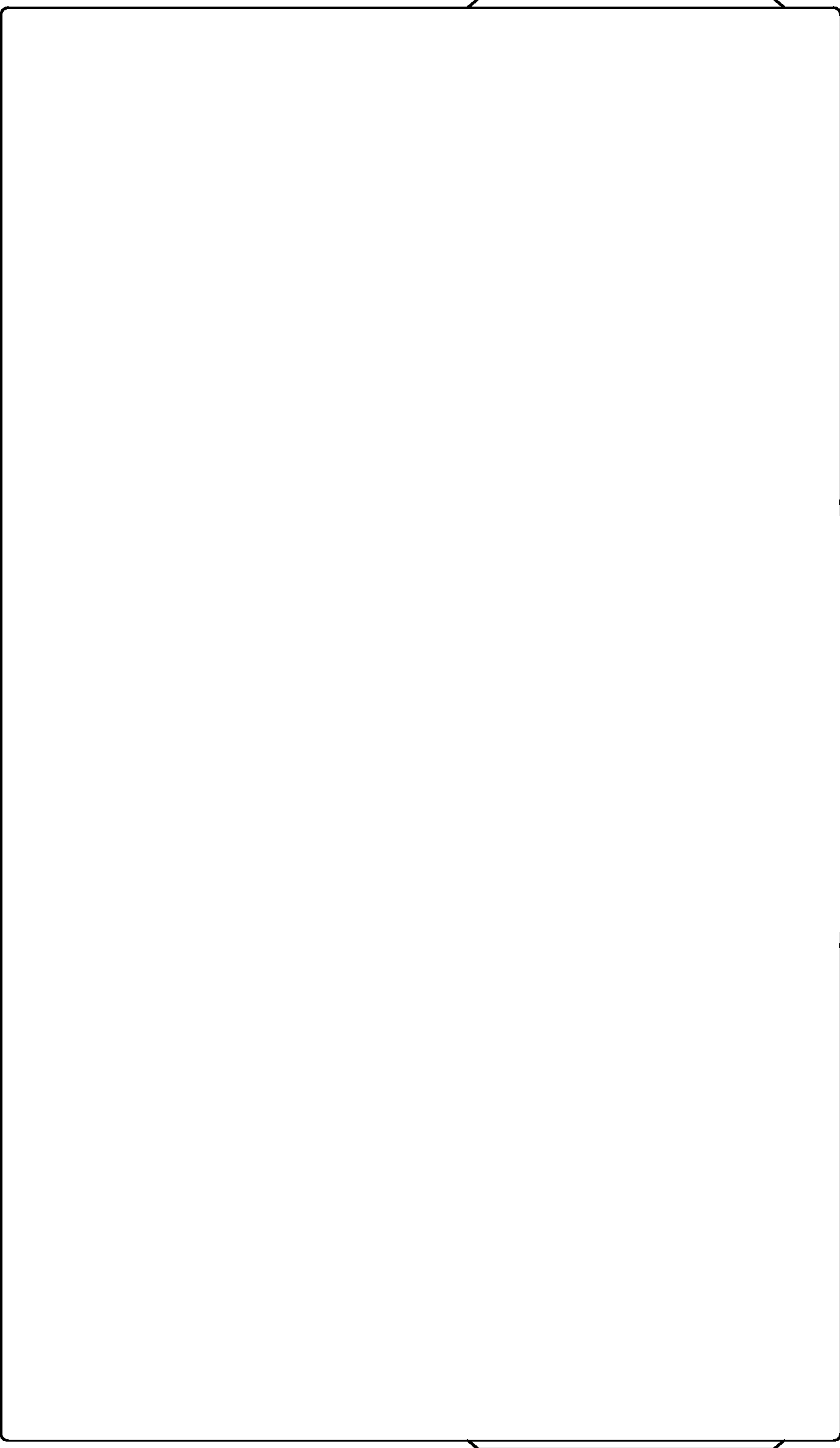


FIG. 7

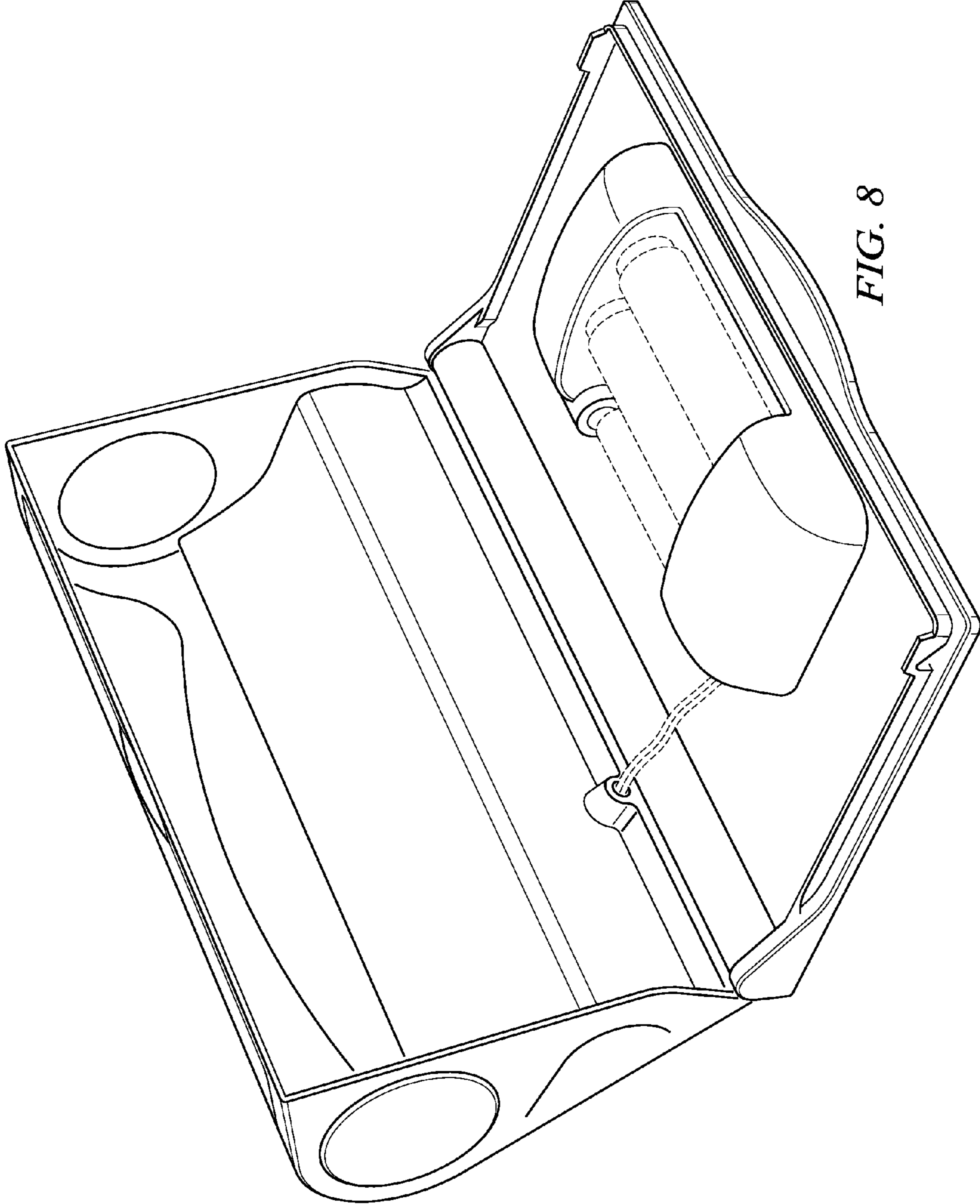


FIG. 8