



US00D642512S

(12) **United States Design Patent**  
**Jacobs**

(10) **Patent No.:** **US D642,512 S**

(45) **Date of Patent:** **\*\* \*Aug. 2, 2011**

(54) **TIRE**

(75) **Inventor:** **Jeremy J. Jacobs**, Findlay, OH (US)

(73) **Assignee:** **Cooper Tire & Rubber Company**,  
Findlay, OH (US)

(\*) **Notice:** This patent is subject to a terminal disclaimer.

(\*\*) **Term:** **14 Years**

(21) **Appl. No.:** **29/372,082**

(22) **Filed:** **Oct. 13, 2010**

(51) **LOC (9) Cl.** ..... **12-15**

(52) **U.S. Cl.** ..... **D12/600**

(58) **Field of Classification Search** ..... D12/568-603,  
D12/900-901, 563-567; 152/209.1-209.28,  
152/455

See application file for complete search history.

(56) **References Cited**

**U.S. PATENT DOCUMENTS**

D325,013 S *	3/1992	Vaughn-Lindner et al.	D12/600
D393,612 S *	4/1998	Hino	D12/600
D457,856 S *	5/2002	Ochi	D12/600

D475,009 S *	5/2003	Ochi	D12/600
D495,293 S *	8/2004	Tahira	D12/600
D507,521 S *	7/2005	Williams et al.	D12/600
D602,424 S *	10/2009	Ochi	D12/600
D606,487 S *	12/2009	Lo	D12/600
D608,729 S *	1/2010	Brown	D12/600
D624,489 S *	9/2010	Fujita	D12/600
D629,351 S *	12/2010	Jacobs	D12/600

\* cited by examiner

*Primary Examiner* — Stacia Cadmus

(74) *Attorney, Agent, or Firm* — Emch, Schaffer, Schaub & Porcello Co., L.P.A.

(57) **CLAIM**

The ornamental design for a tire, as shown and described.

**DESCRIPTION**

FIG. 1 is a perspective view of the tire in accordance with the invention;

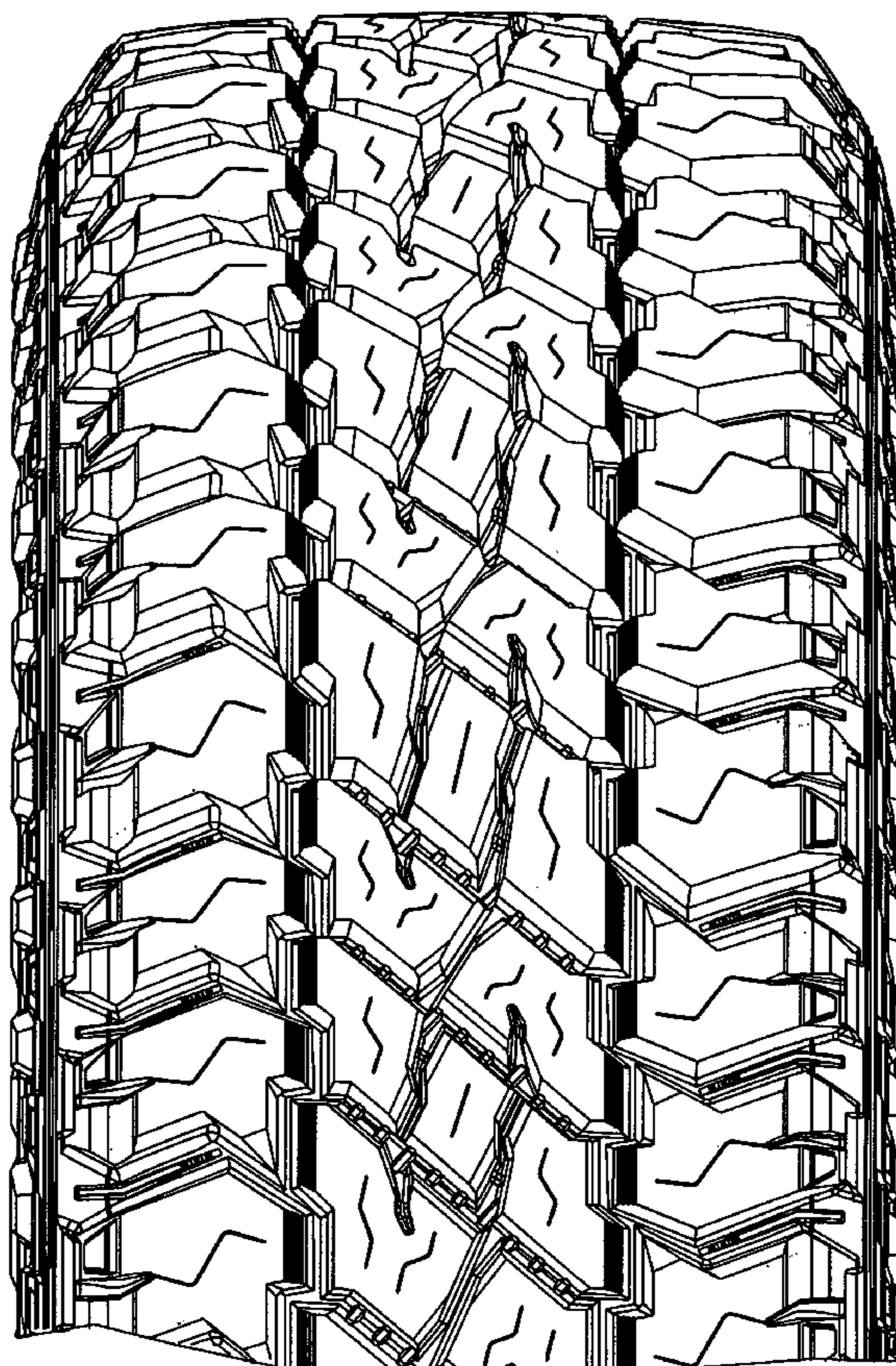
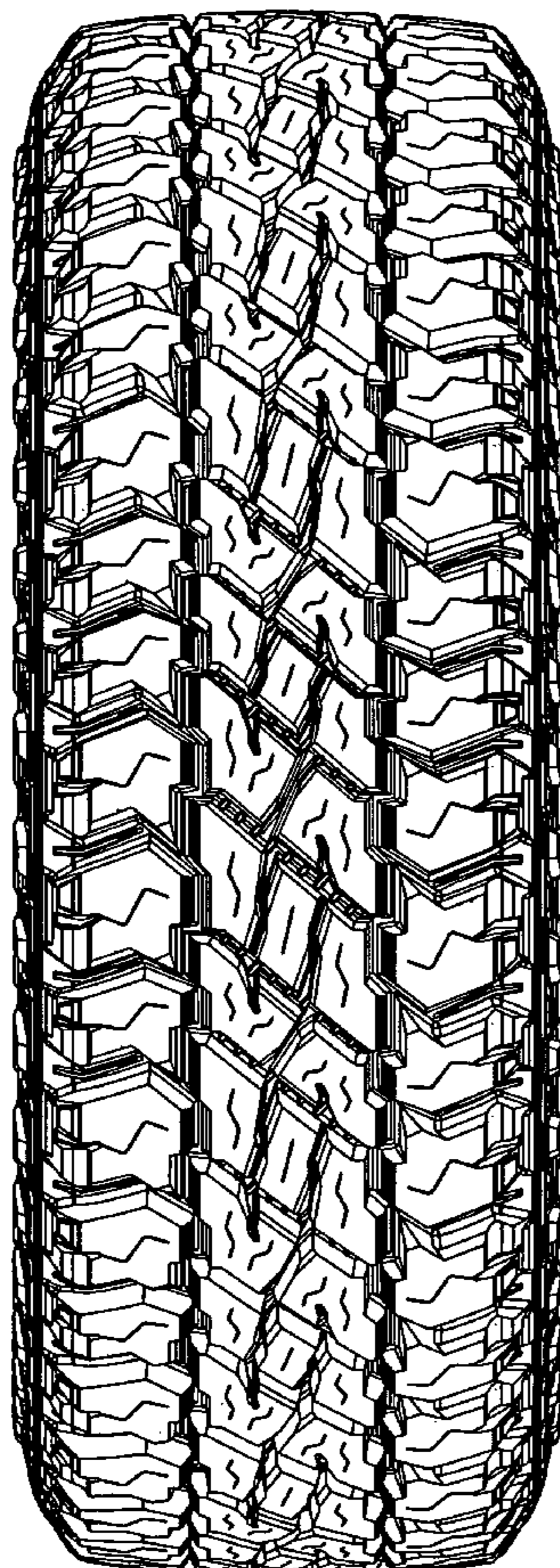
FIG. 2 is a front view thereof;

FIG. 3 is a side view thereof; and,

FIG. 4 is an enlarged partial front view thereof.

The broken line showing of the sidewall, inner bead and the peripheral boundary between the tire tread and the sidewall is included for the purpose of illustrating environment and forms no part of the claim design.

**1 Claim, 4 Drawing Sheets**





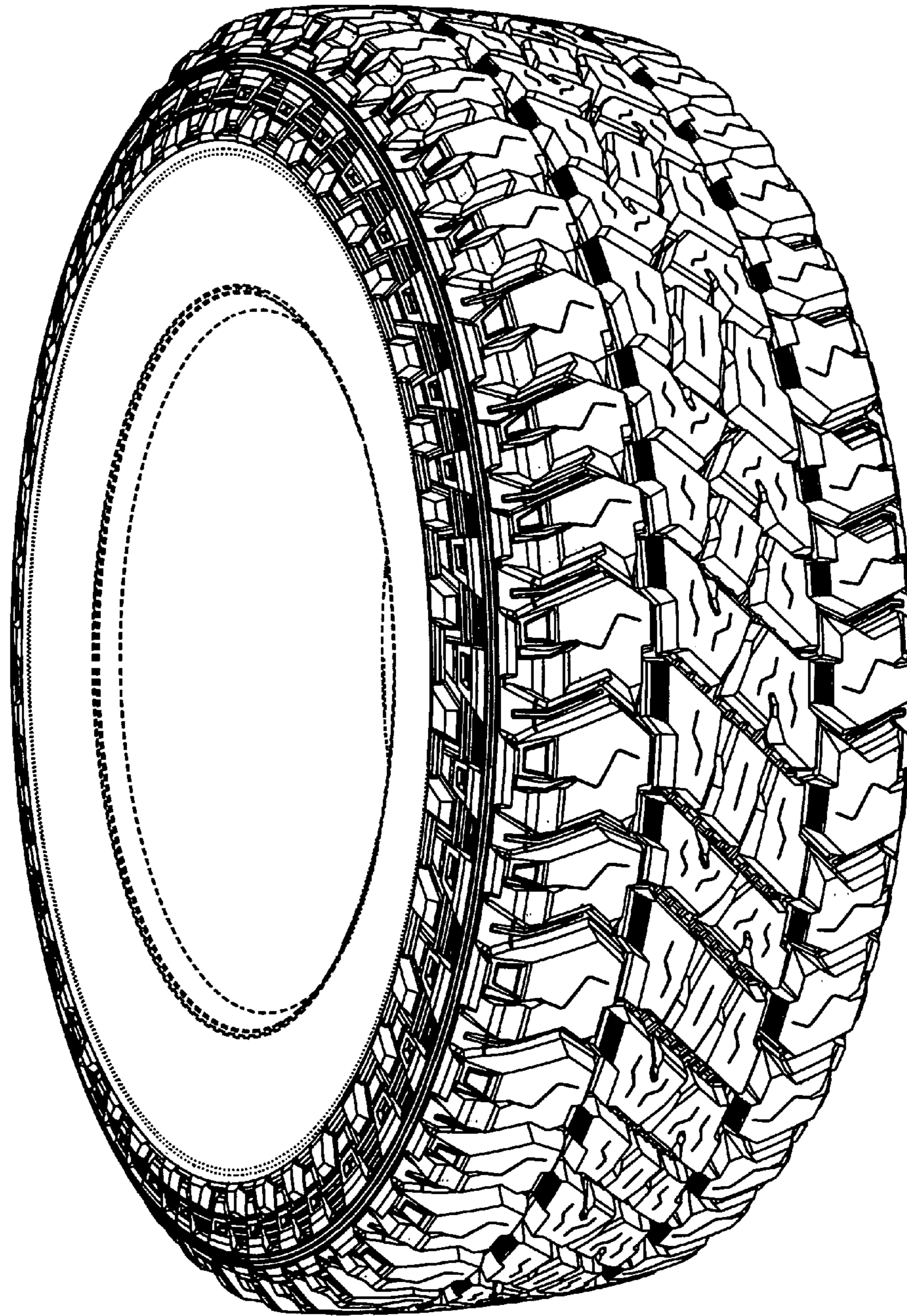


FIG. 1

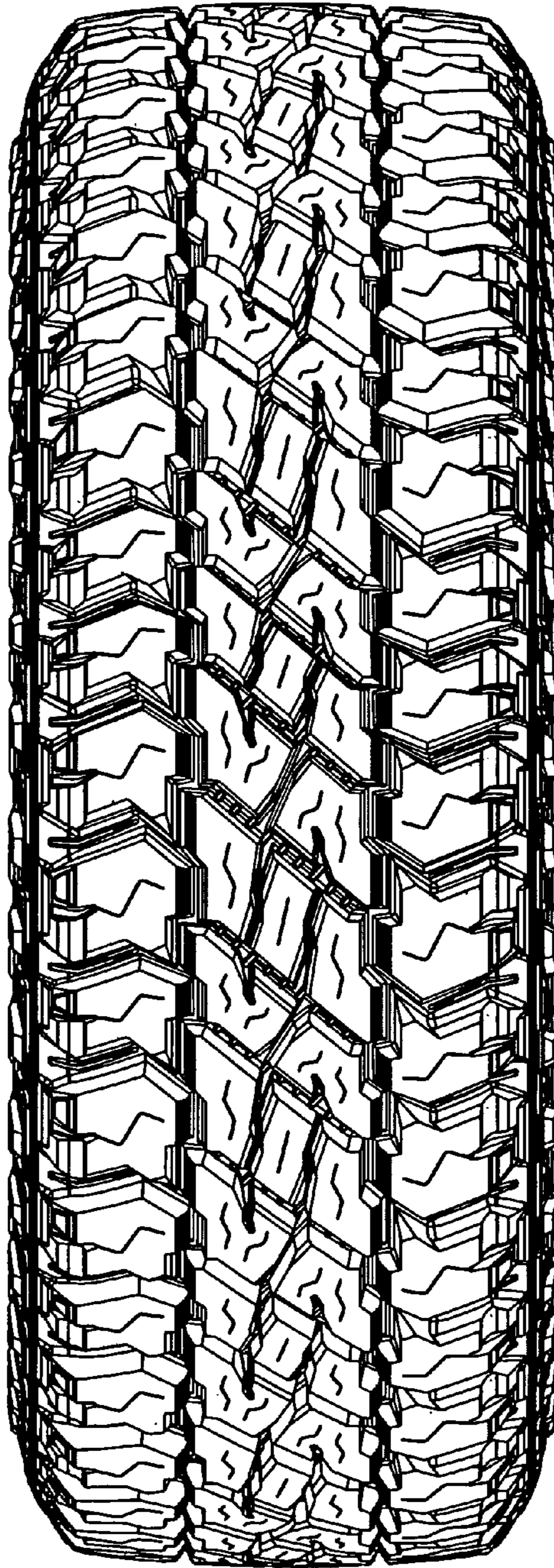


FIG. 2



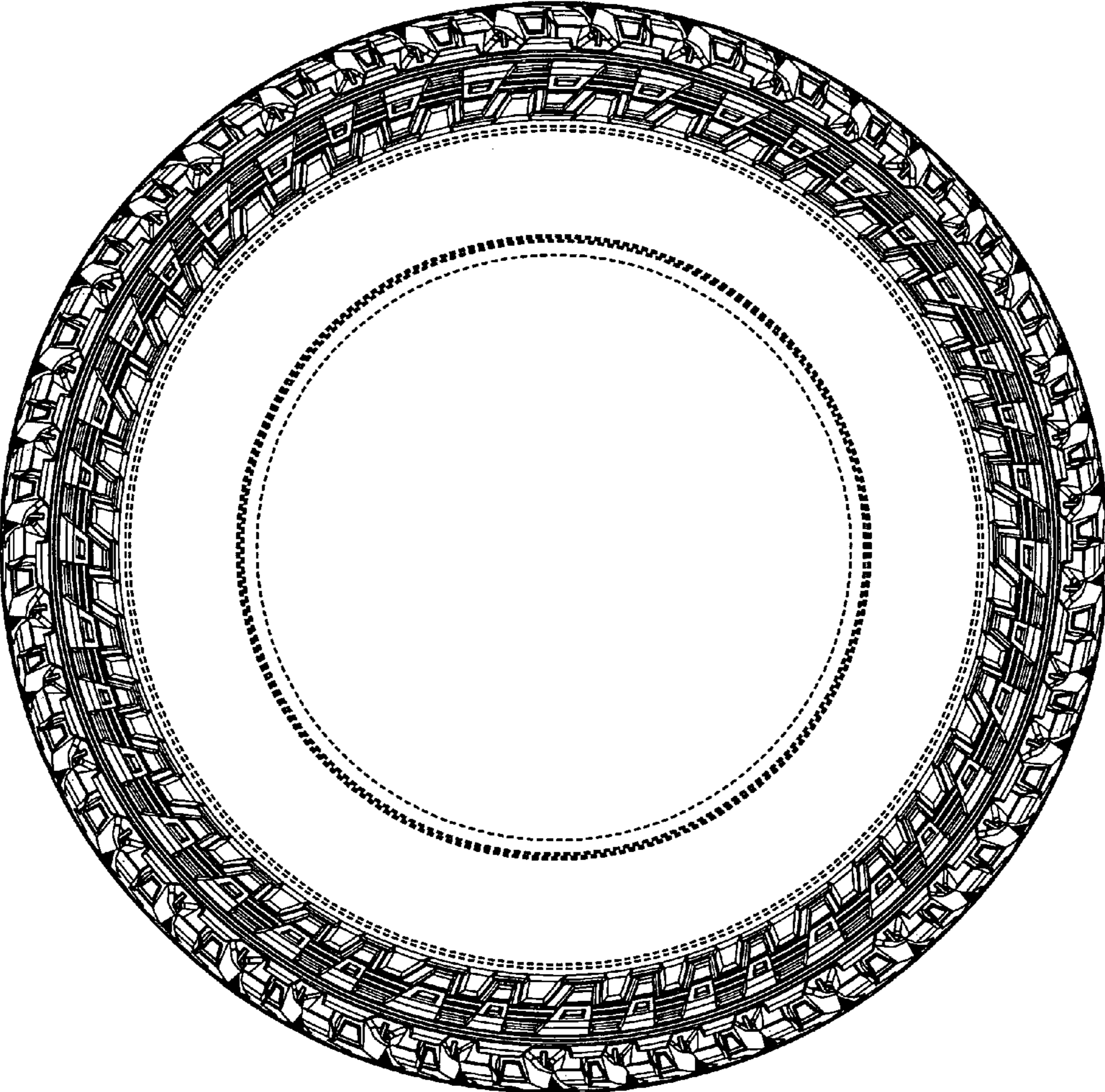


FIG. 3

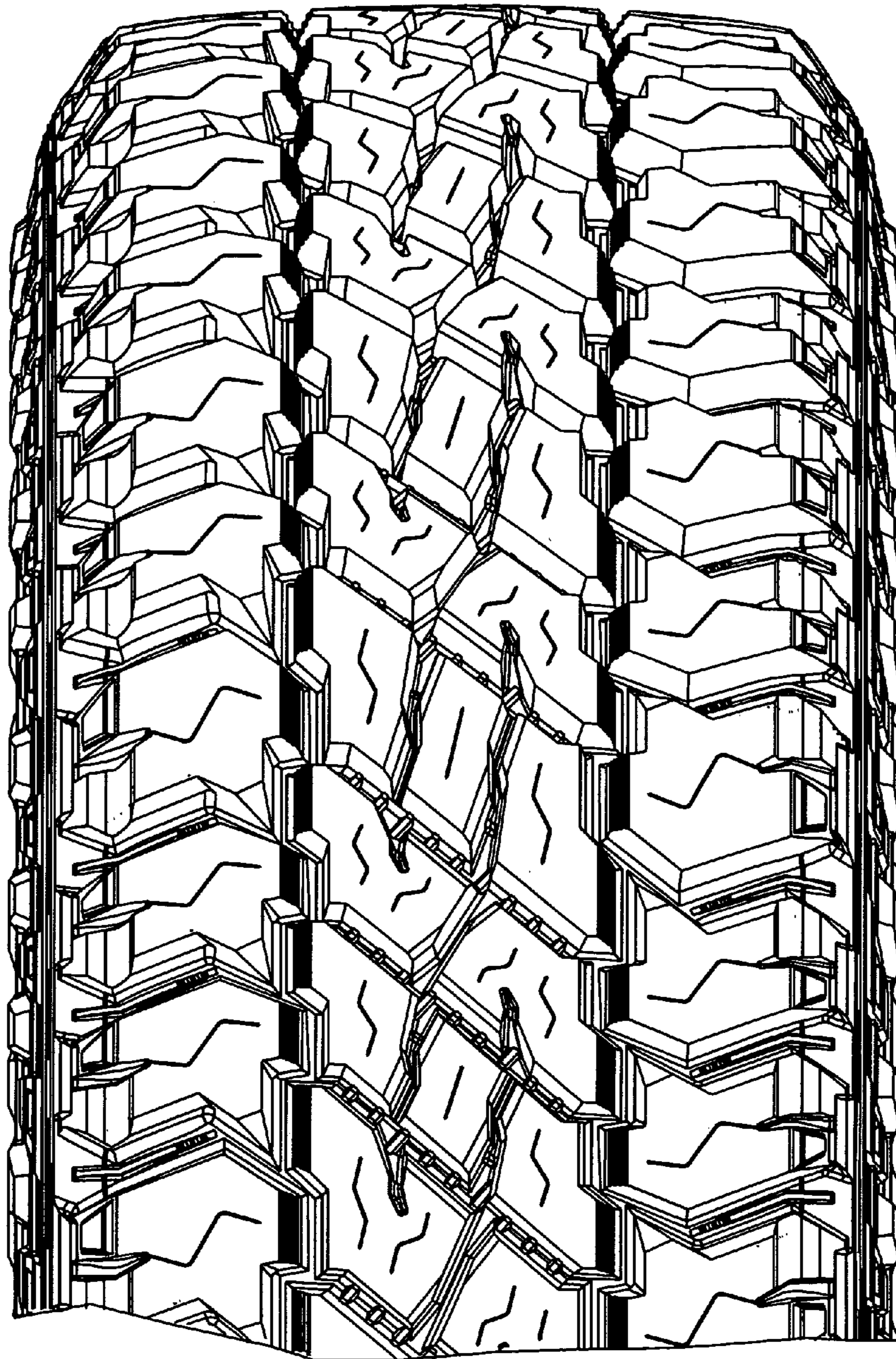


FIG. 4