



US00D642507S

(12) **United States Design Patent**
Heinen et al.

(10) **Patent No.:** **US D642,507 S**

(45) **Date of Patent:** **** Aug. 2, 2011**

(54) **TIRE**

(75) Inventors: **Richard Heinen**, Habay-La-Neuve (BE); **Alexander Ossipov**, Leuven (BE)

(73) Assignee: **The Goodyear Tire & Rubber Company**, Akron, OH (US)

(**) Term: **14 Years**

(21) Appl. No.: **29/388,286**

(22) Filed: **Mar. 28, 2011**

(51) **LOC (9) Cl.** **12-15**

(52) **U.S. Cl.** **D12/555; D12/551**

(58) **Field of Classification Search** D12/533-567,
D12/900-901, 586-591; 152/209.1-209.28,
152/455

See application file for complete search history.

(56) **References Cited**

U.S. PATENT DOCUMENTS

D322,950 S *	1/1992	Overhoff et al.	D12/555
D389,790 S *	1/1998	Himuro	D12/551
D400,830 S *	11/1998	Gerresheim et al.	D12/551
D422,247 S	4/2000	Gerresheim et al.	D12/147
D438,827 S	3/2001	Gerresheim et al.	D12/147
D442,524 S	5/2001	Gerresheim et al.	D12/147
D444,427 S *	7/2001	Heinen	D12/551
D486,123 S *	2/2004	Heinen et al.	D12/551
D488,771 S	4/2004	Villamizar	D12/590
D491,518 S	6/2004	Miyabe et al.	D12/556
D491,882 S *	6/2004	Williams	D12/551
D505,383 S *	5/2005	Ratliff et al.	D12/555
D508,017 S *	8/2005	Heinen et al.	D12/555
D534,482 S	1/2007	Schmalix et al.	D12/553
D535,247 S	1/2007	Shondel et al.	D12/553
D535,248 S	1/2007	Ashton et al.	D12/553
D559,770 S *	1/2008	Blackiston et al.	D12/555
D559,774 S	1/2008	Kurata	D12/585

D574,318 S	8/2008	Ashton et al.	D12/553
D583,305 S	12/2008	Ashton et al.	D12/553
D589,434 S *	3/2009	Behr et al.	D12/553
D589,435 S	3/2009	Ashton et al.	D12/563
D593,027 S	5/2009	Shondel et al.	D12/532
D612,324 S *	3/2010	Harvey et al.	D12/551

* cited by examiner

Primary Examiner — Stacia Cadmus

(74) *Attorney, Agent, or Firm* — Richard B. O'Planick

(57) **CLAIM**

The ornamental design for a tire, as shown and described.

DESCRIPTION

FIG. 1 is a perspective view of a tire showing our new design, it being understood that the pattern repeats uniformly throughout the circumference of the tread;

FIG. 2 is a front elevational view thereof;

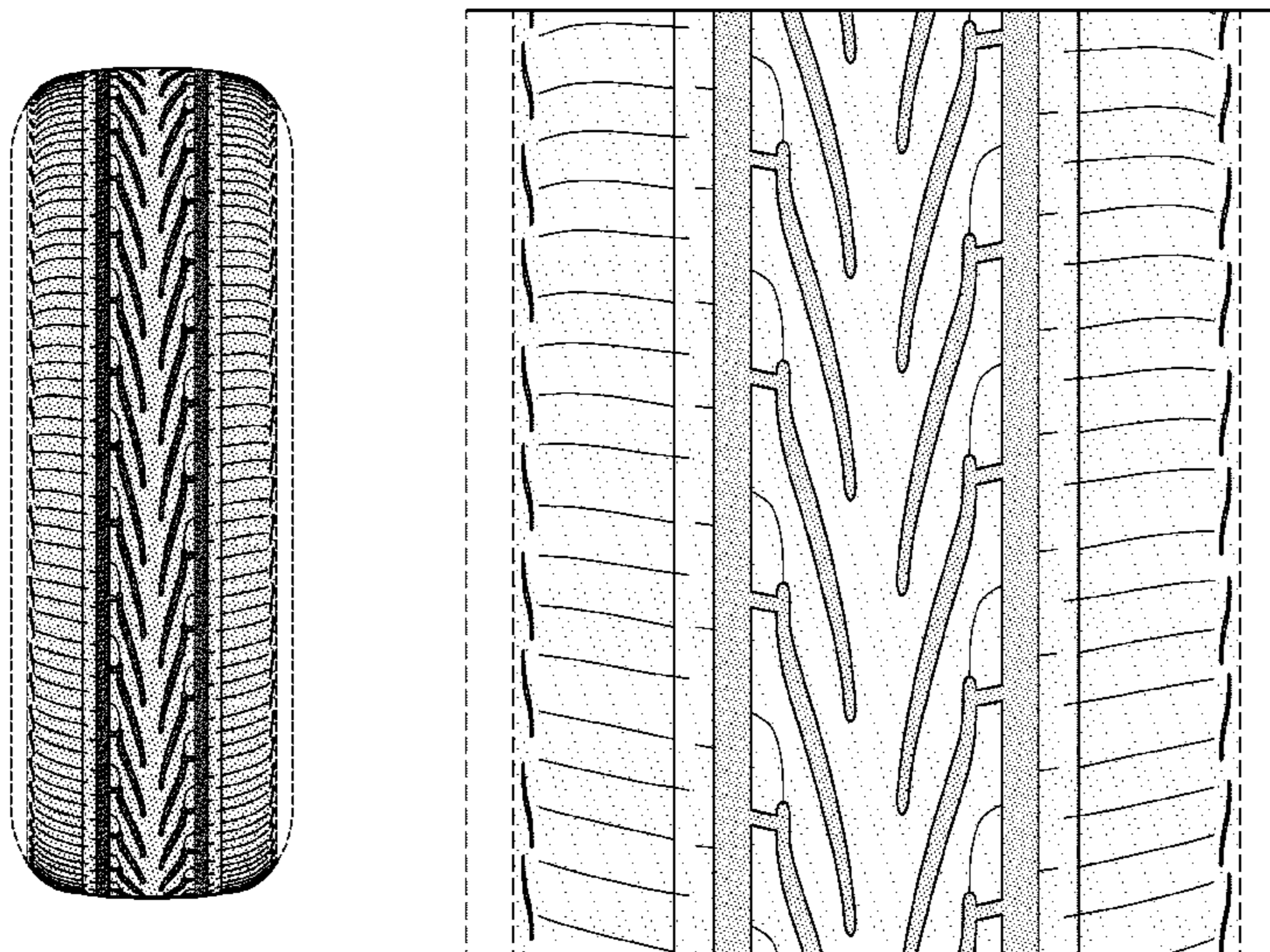
FIG. 3 is a right side elevational view thereof; the other side being a mirror image thereof;

FIG. 4 is an enlarged fragmentary front elevational view thereof;

FIG. 5 is a perspective view of a second embodiment of a tire showing our new design, it being understood that the pattern repeats uniformly throughout the circumference of the tread and that the opposite side view is a mirror image thereof; and, FIG. 6 is a front elevational view of a second embodiment, it being understood that an enlarged fragmentary view thereof would be substantially identical to that shown in FIG. 4, with the exception of the inclusion of the sidewall in solid lines.

In the drawings, the broken lines showing of the sidewall, inner bead and the peripheral boundary between the tire tread and the sidewall in FIGS. 1 through 4 depict environmental subject matter and form no part of the claimed design.

1 Claim, 6 Drawing Sheets



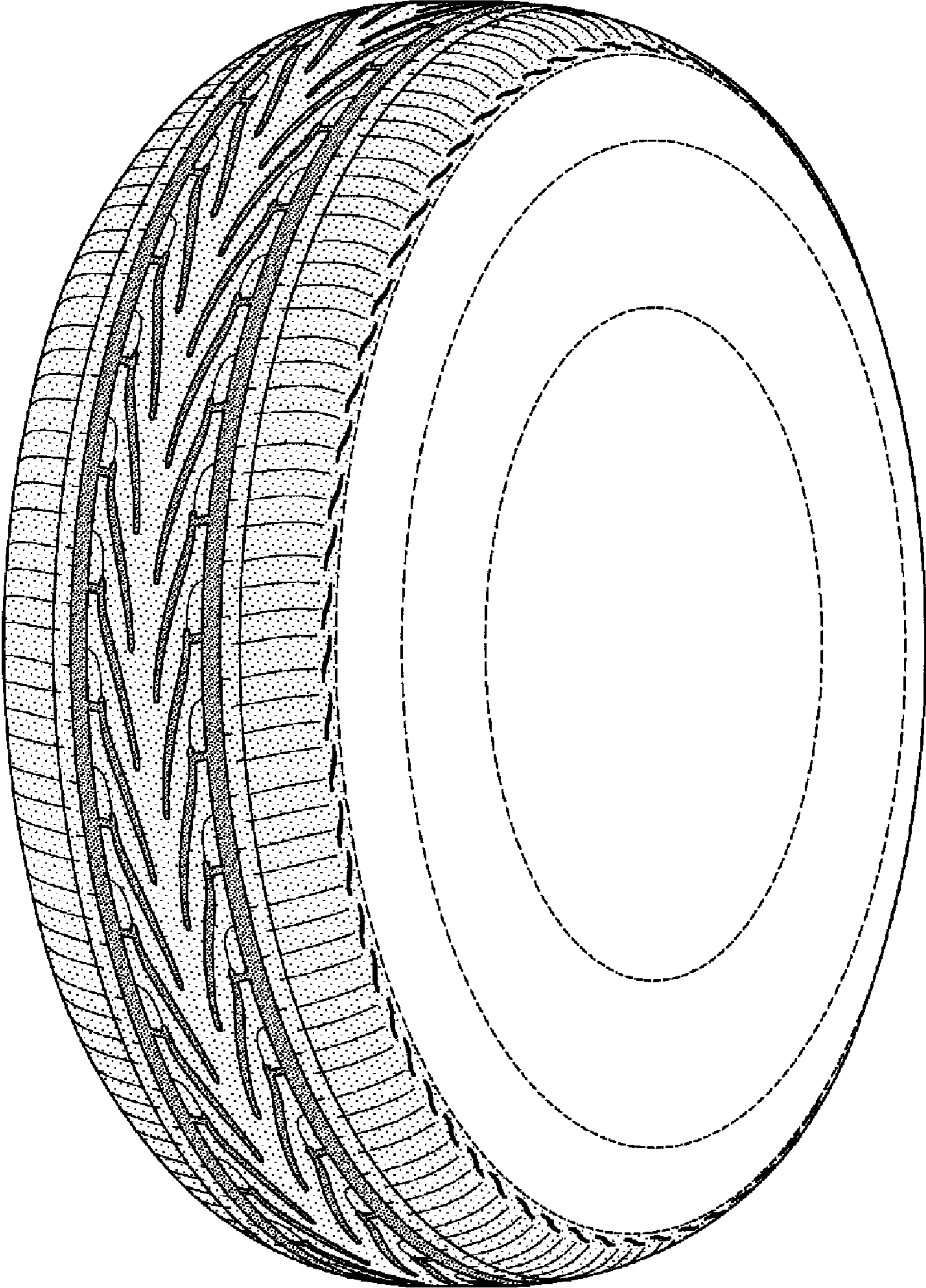


FIG-1

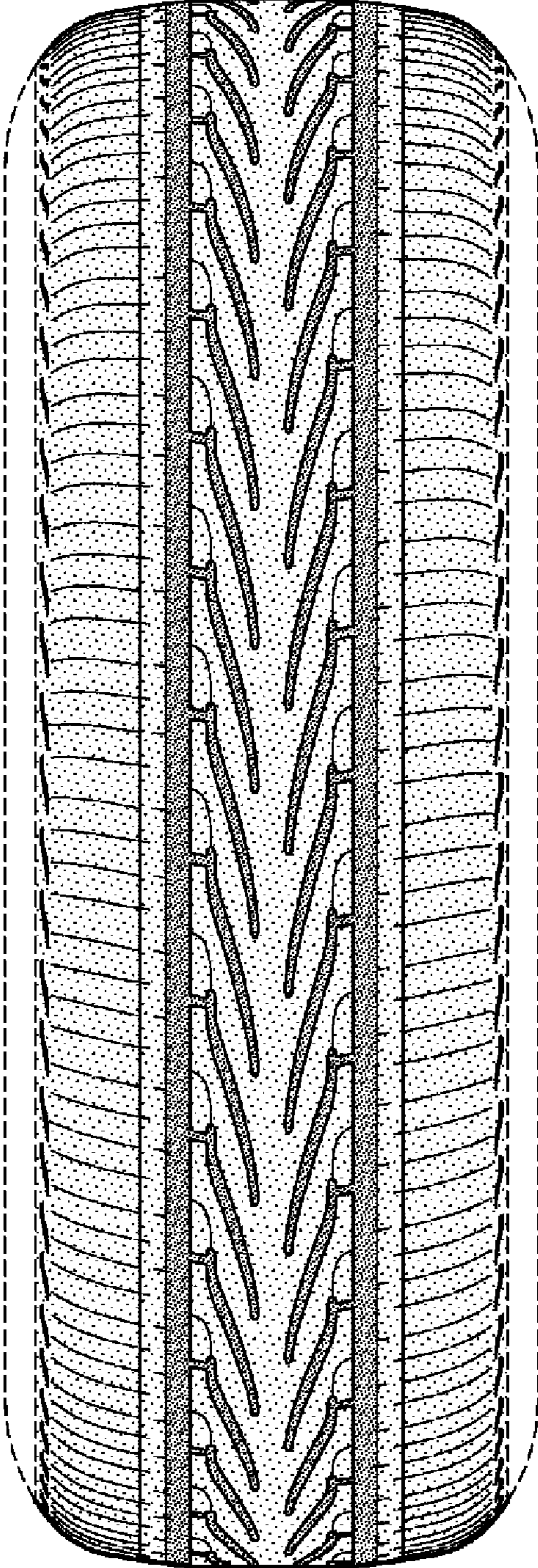


FIG-2

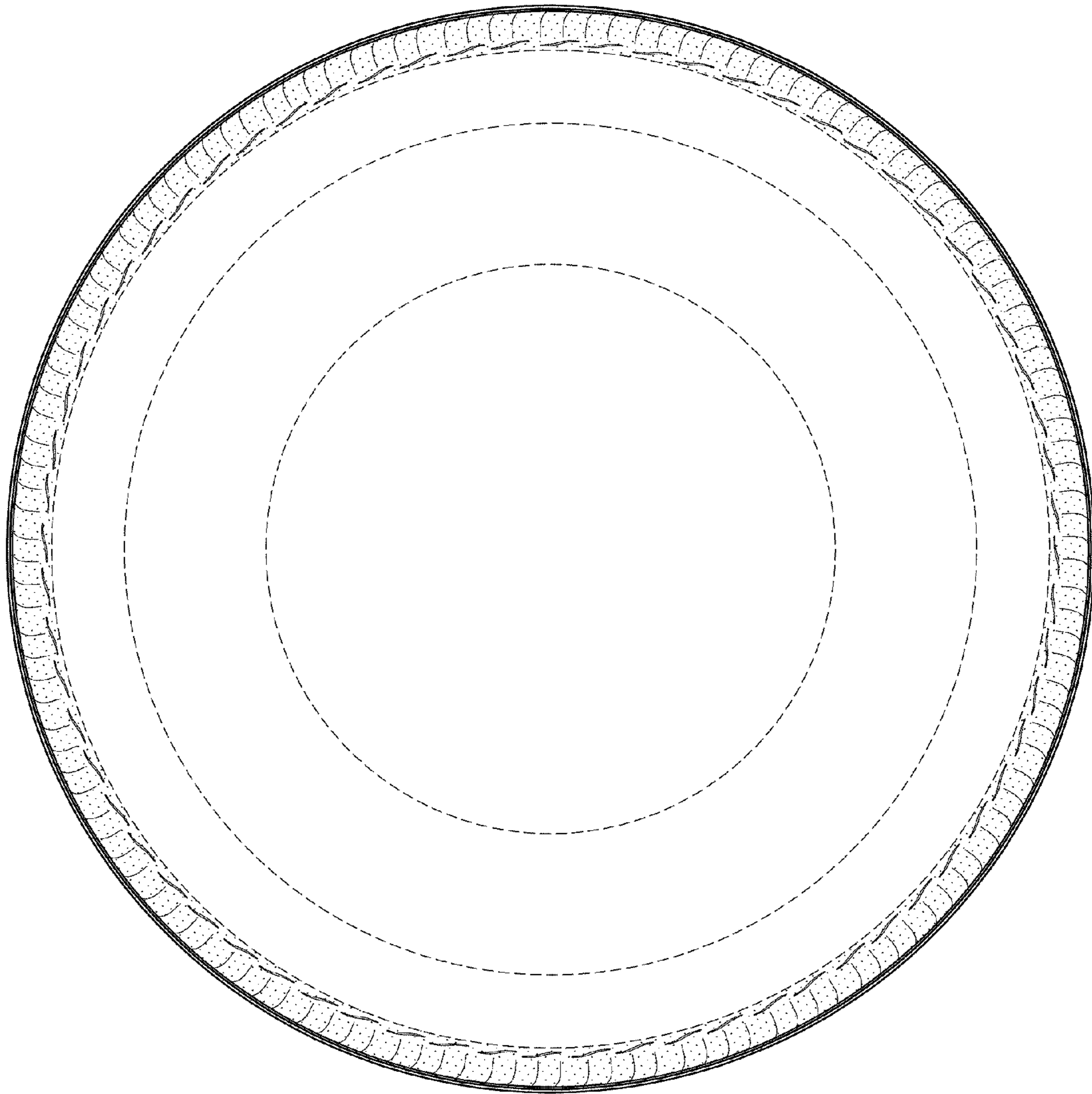


FIG-3

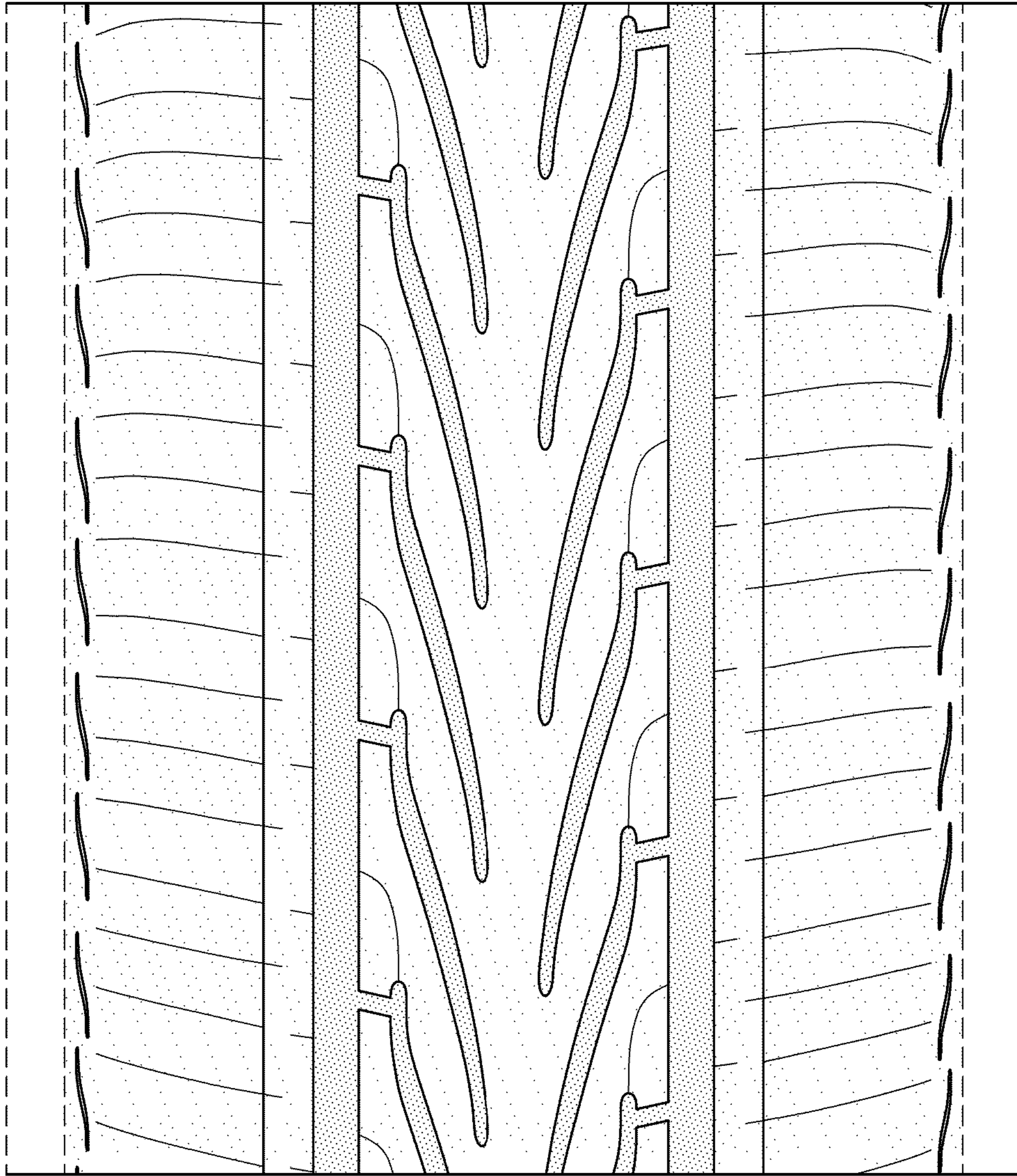


FIG-4

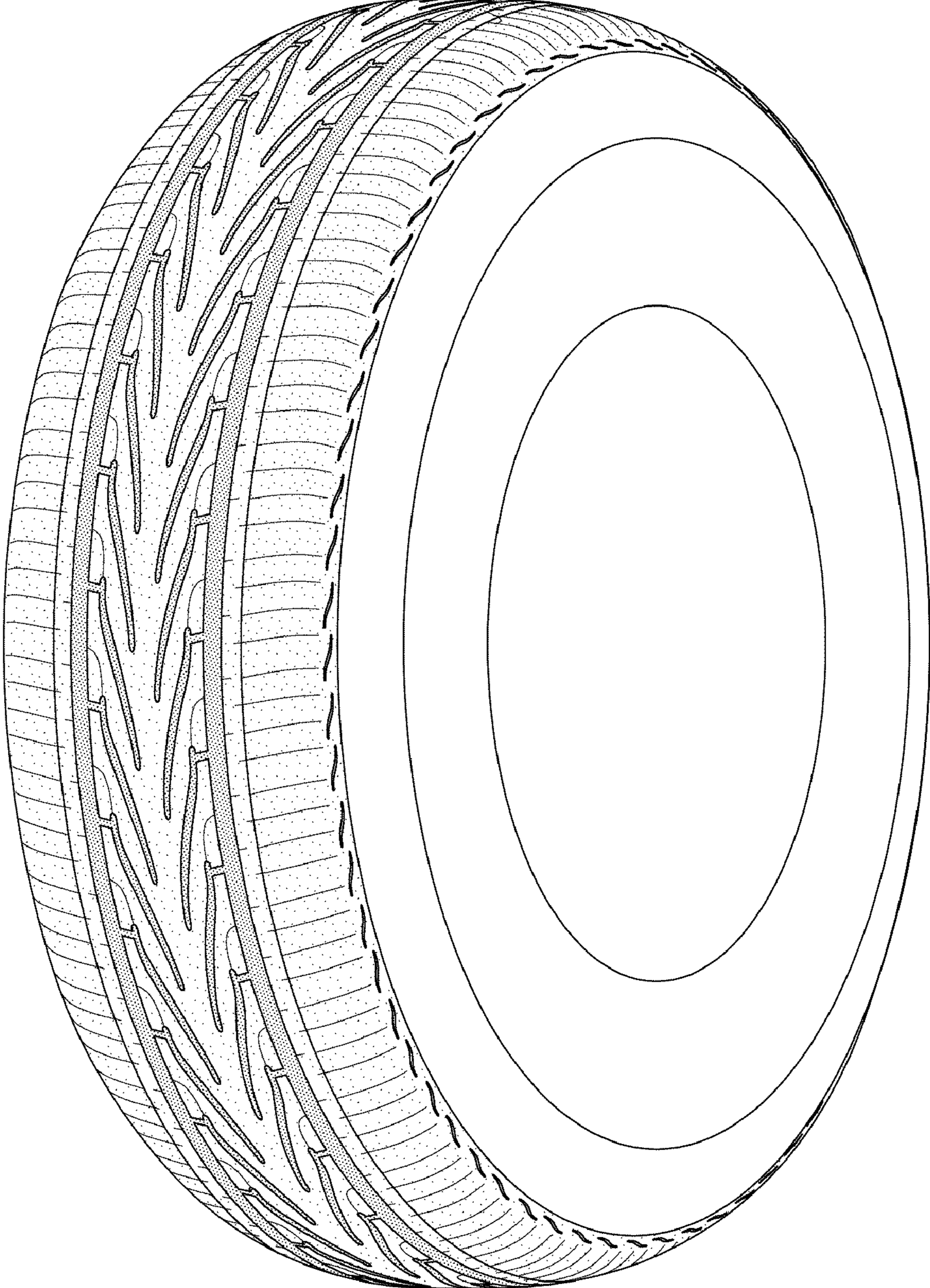


FIG-5

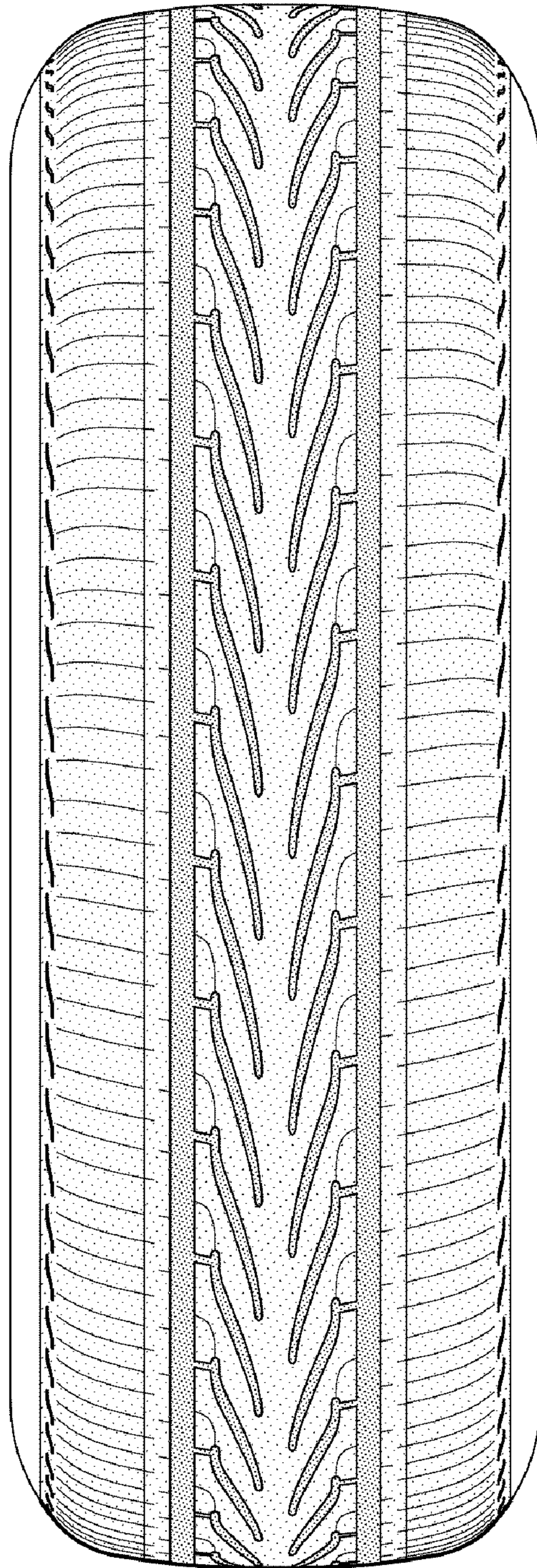


FIG-6