



US00D642506S

(12) **United States Design Patent**  
**Faszer et al.**

(10) **Patent No.:** **US D642,506 S**

(45) **Date of Patent:** **\*\* Aug. 2, 2011**

(54) **VEHICLE MUFFLER**

(75) Inventors: **Andrew C. Faszer**, Calgary (CA);  
**Bryan N. Campbell**, Calgary (CA);  
**Clifford C. Faszer**, Calgary (CA)

(73) Assignee: **Noise Solutions Inc.** (CA)

(\*\*) Term: **14 Years**

(21) Appl. No.: **29/341,497**

(22) Filed: **Aug. 6, 2009**

(51) **LOC (9) Cl.** ..... **12-16**

(52) **U.S. Cl.** ..... **D12/194**

(58) **Field of Classification Search** ..... D15/5;  
D12/194, 15; 123/198 E, 306, 308, 184.21,  
123/184.34, 184.53, 184.56, 184.42, 184.57;  
55/337, 385.3, 385.5, 498-502; 60/299,  
60/302, 312, 323, 276, 272; 181/227-228,  
181/282; D23/266; D25/125, 120, 141;  
138/38; 280/152.1, 152.3, 160.1, 304.3,  
280/770, 848, 552

See application file for complete search history.

(56) **References Cited**

**U.S. PATENT DOCUMENTS**

3,504,813	A	*	4/1970	Weir	.....	414/422
D223,021	S	*	2/1972	Broyhill	.....	D12/15
D242,734	S	*	12/1976	Breneman et al.	.....	D21/554
D242,839	S	*	12/1976	Lifstrom	.....	D34/3
D289,069	S	*	3/1987	Ohno	.....	D21/580
D578,435	S	*	10/2008	Bryant et al.	.....	D12/15
D588,956	S	*	3/2009	Kelley et al.	.....	D12/15
D594,382	S	*	6/2009	Bryant et al.	.....	D12/15
D627,284	S	*	11/2010	Faszer et al.	.....	D12/194

\* cited by examiner

*Primary Examiner* — Celia Murphy

*Assistant Examiner* — John Windmuller

(74) *Attorney, Agent, or Firm* — St. Onge Steward Johnston  
& Reens LLC

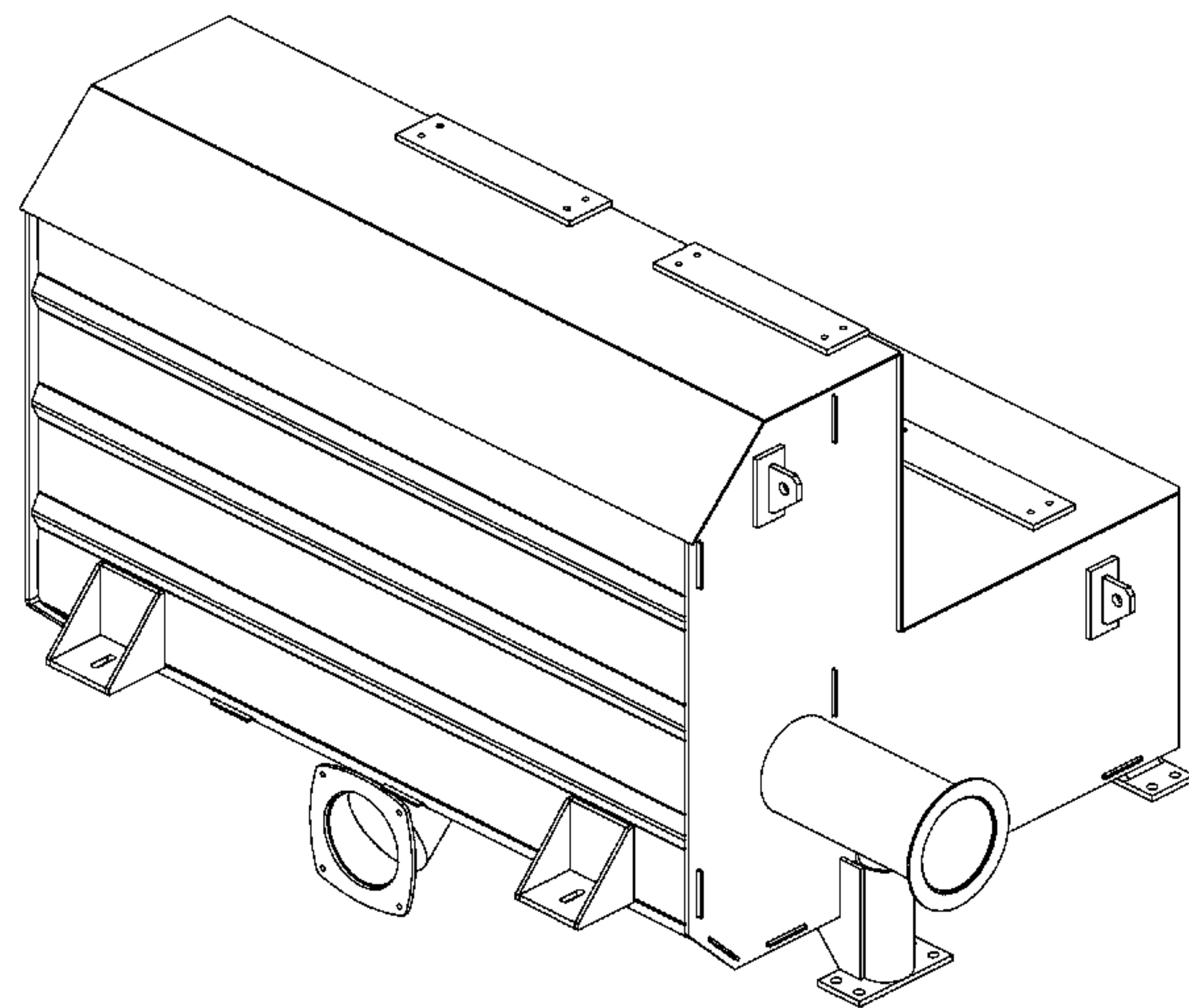
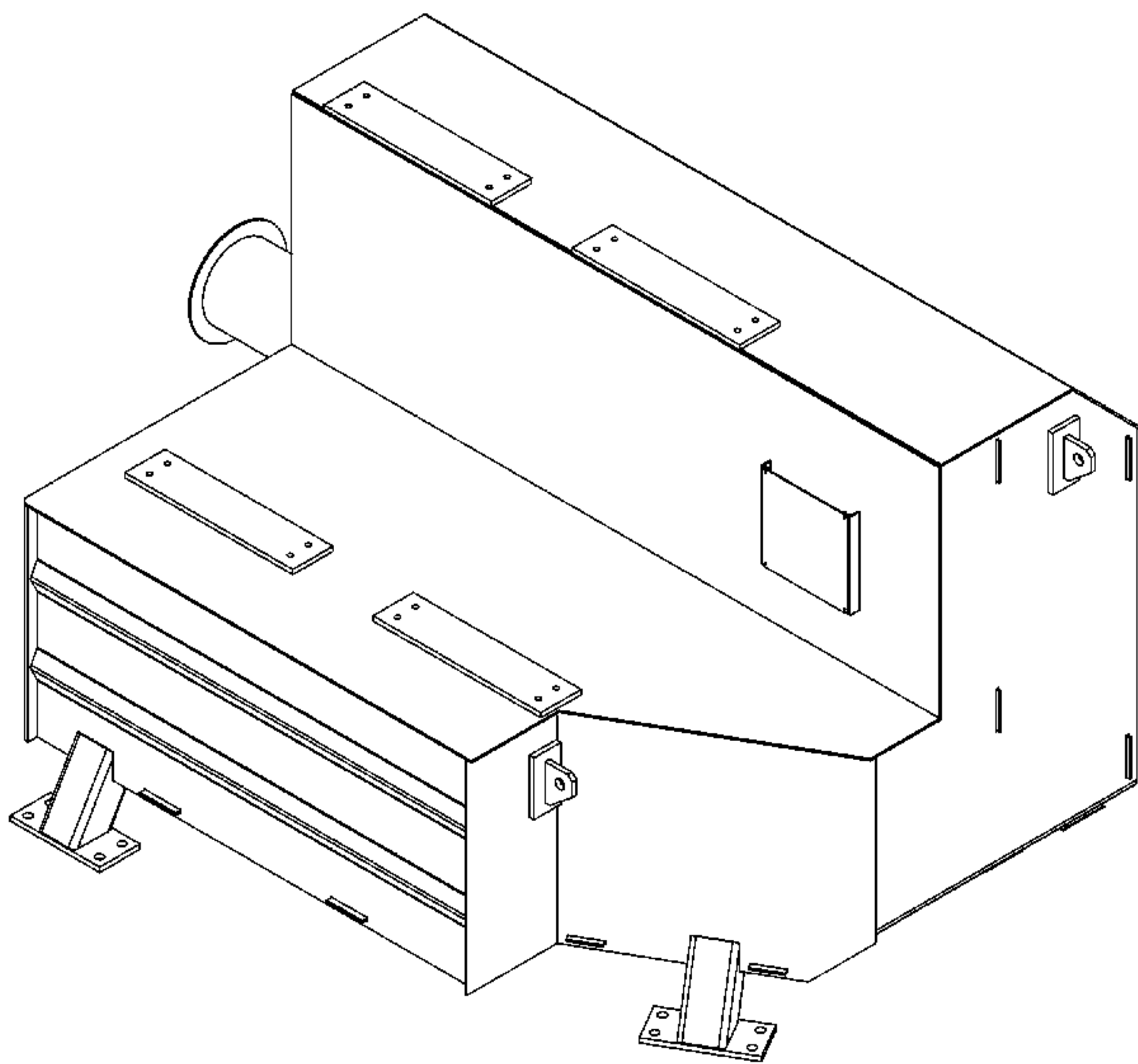
(57) **CLAIM**

The ornamental design for a vehicle muffler, as shown and described.

**DESCRIPTION**

FIG. 1 is a front elevation view of a vehicle muffler illustrating the present design;  
FIG. 2 is a left side elevation view of the vehicle muffler shown in FIG. 1;  
FIG. 3 is a rear elevation view of the vehicle muffler shown in FIG. 1;  
FIG. 4 is a right side elevation view of the vehicle muffler shown in FIG. 1;  
FIG. 5 is a top plan view of the vehicle muffler shown in FIG. 1;  
FIG. 6 is a bottom plan view of the vehicle muffler shown in FIG. 1;  
FIG. 7 is a front isometric view of the vehicle muffler shown in FIG. 1;  
FIG. 8 is a rear isometric view of the vehicle muffler shown in FIG. 1; and,  
FIG. 9 is a front isometric view of the vehicle muffler shown in FIG. 1 in a typical environment.  
The broken line showing in FIGS. 4, 6, and 9 is for environmental purposes only and forms no part of the claimed design.

**1 Claim, 9 Drawing Sheets**



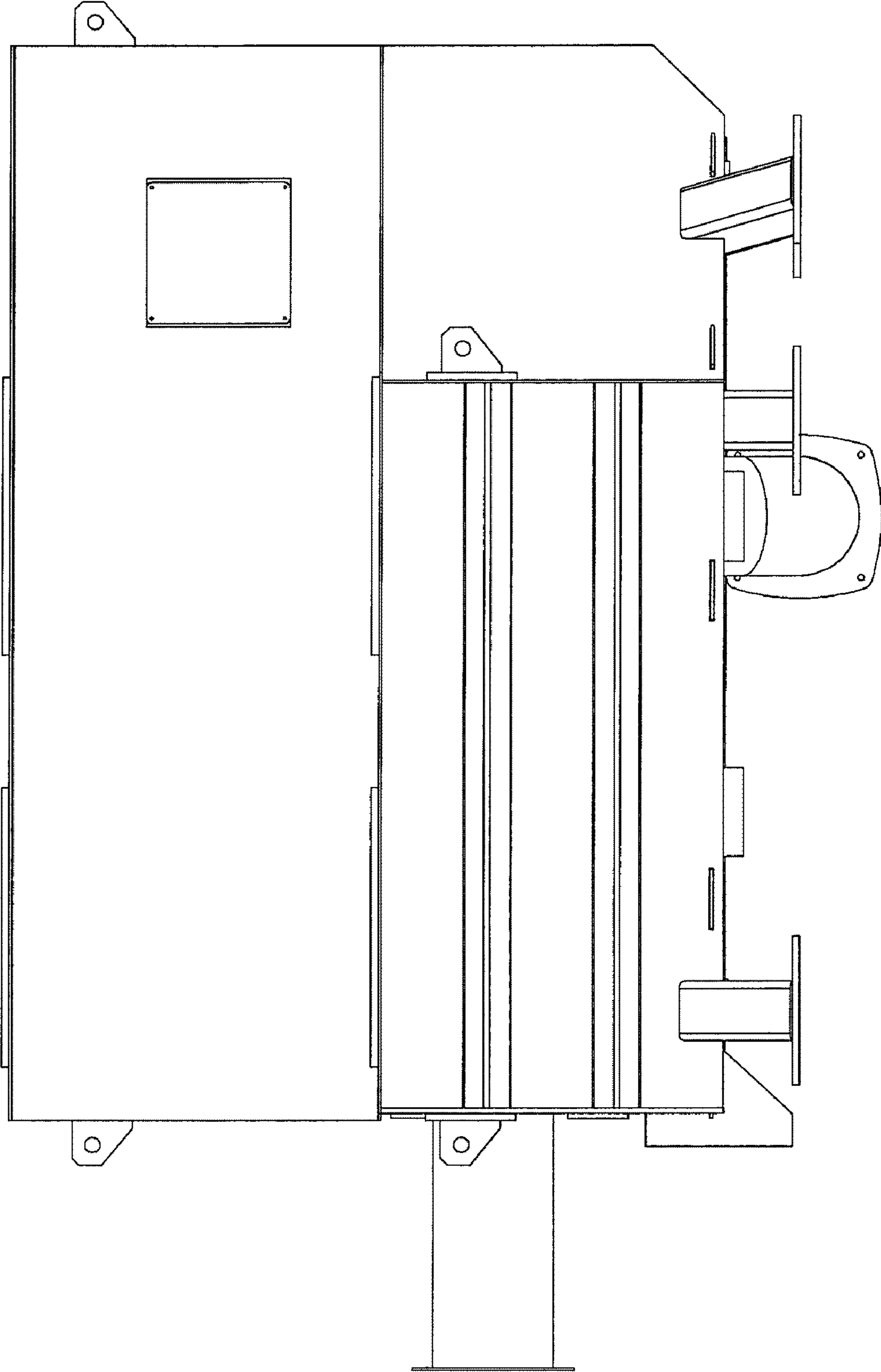


FIGURE 1

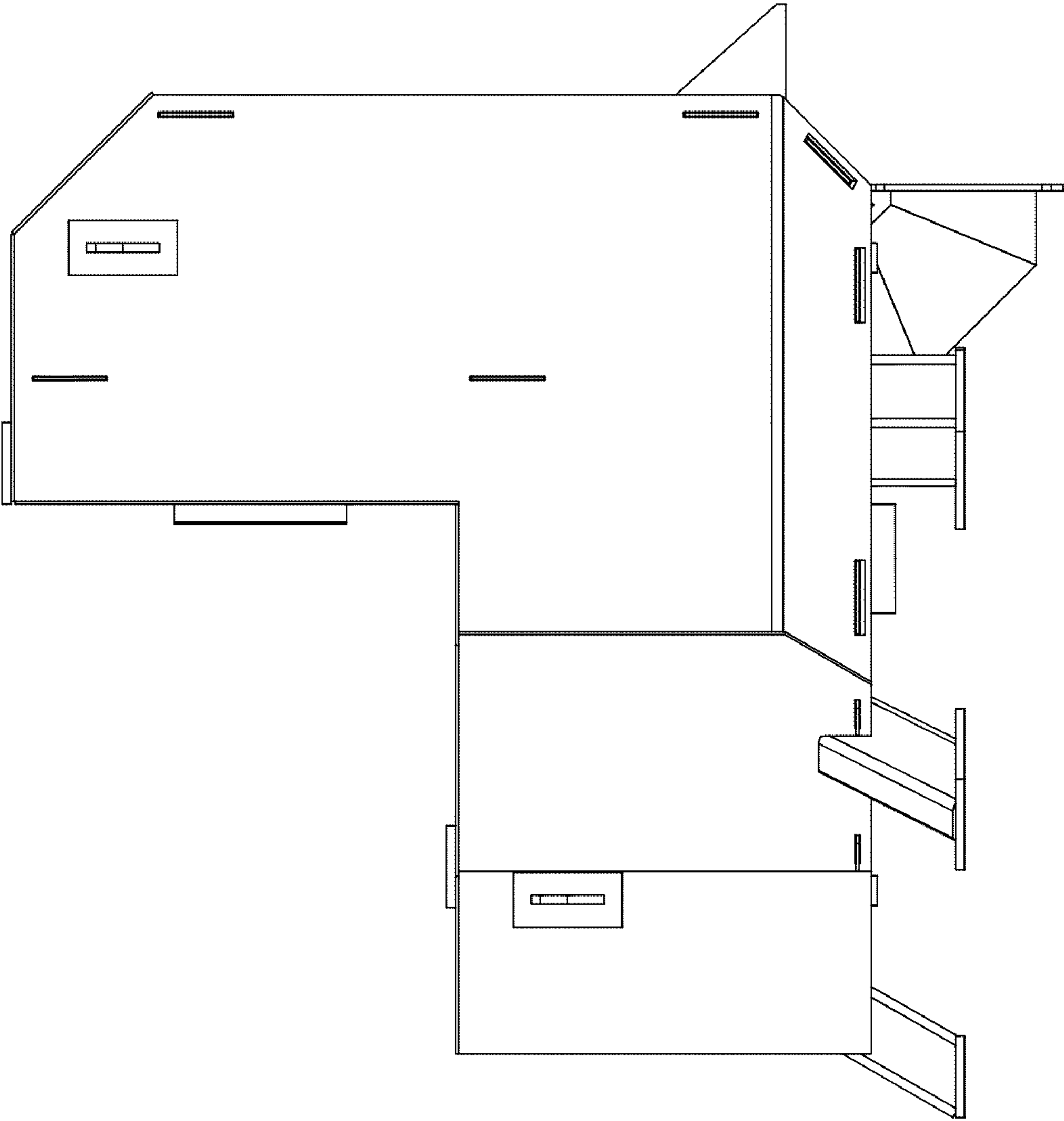


FIGURE 2

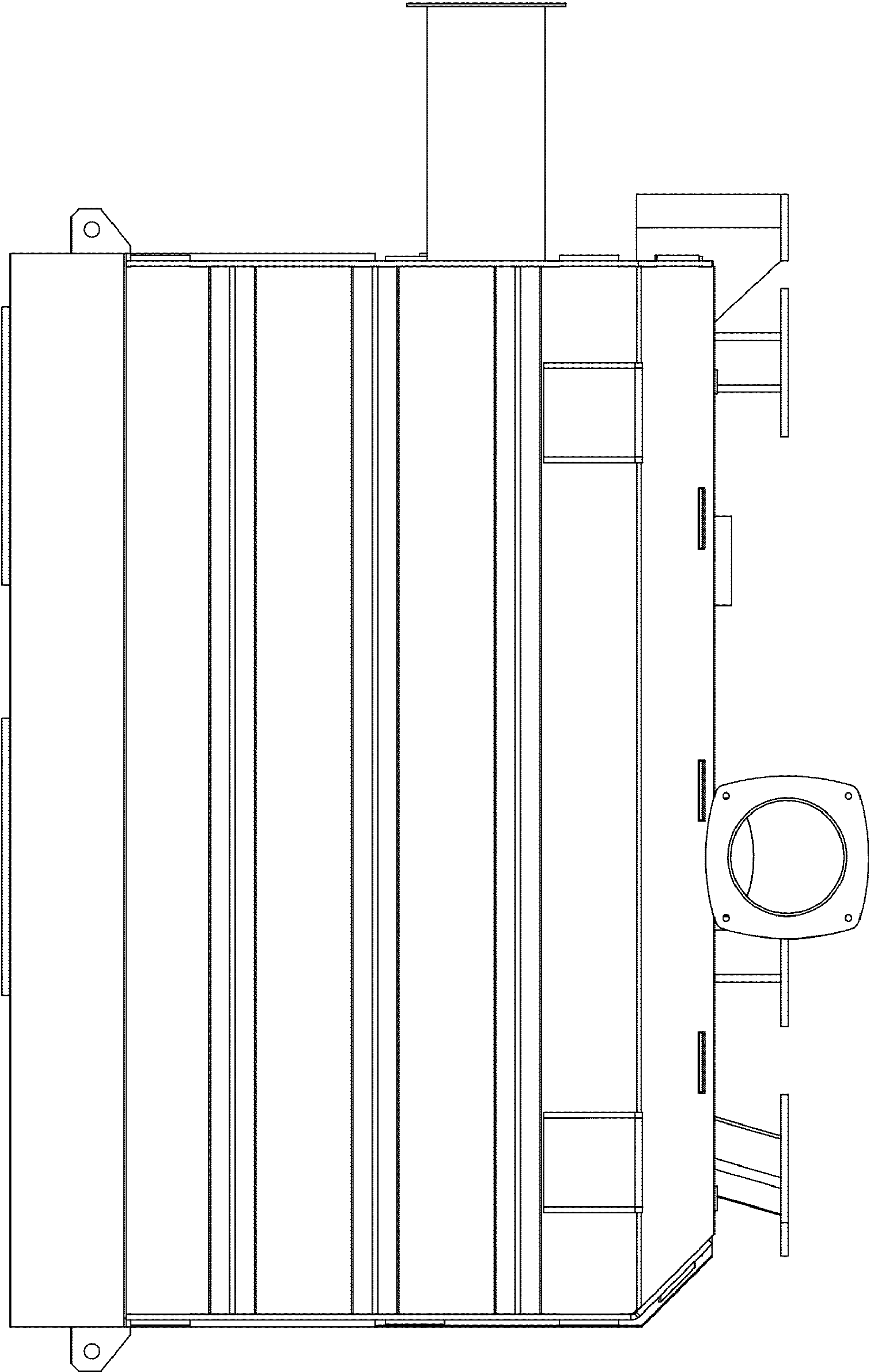


FIGURE 3

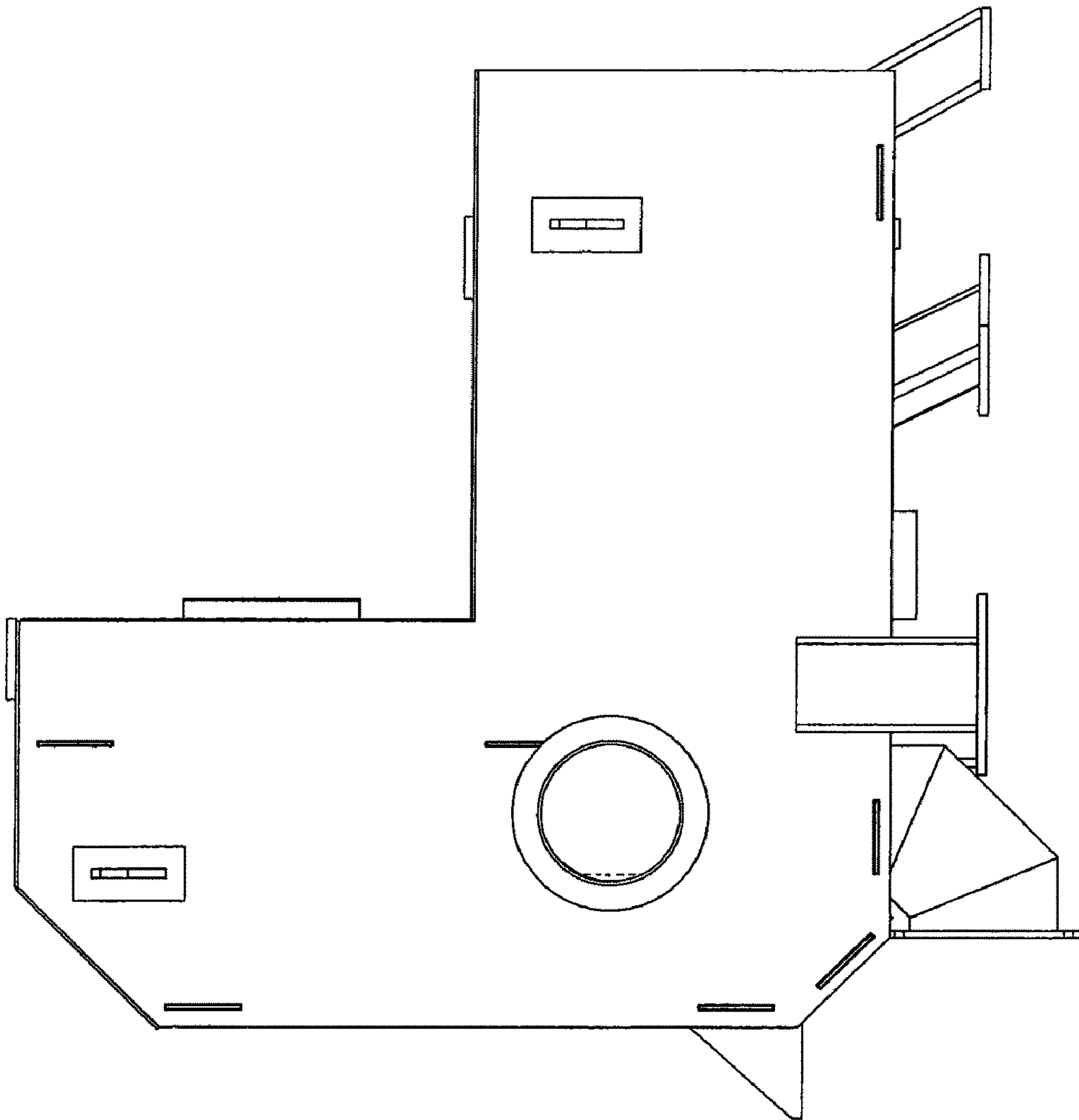


FIGURE 4



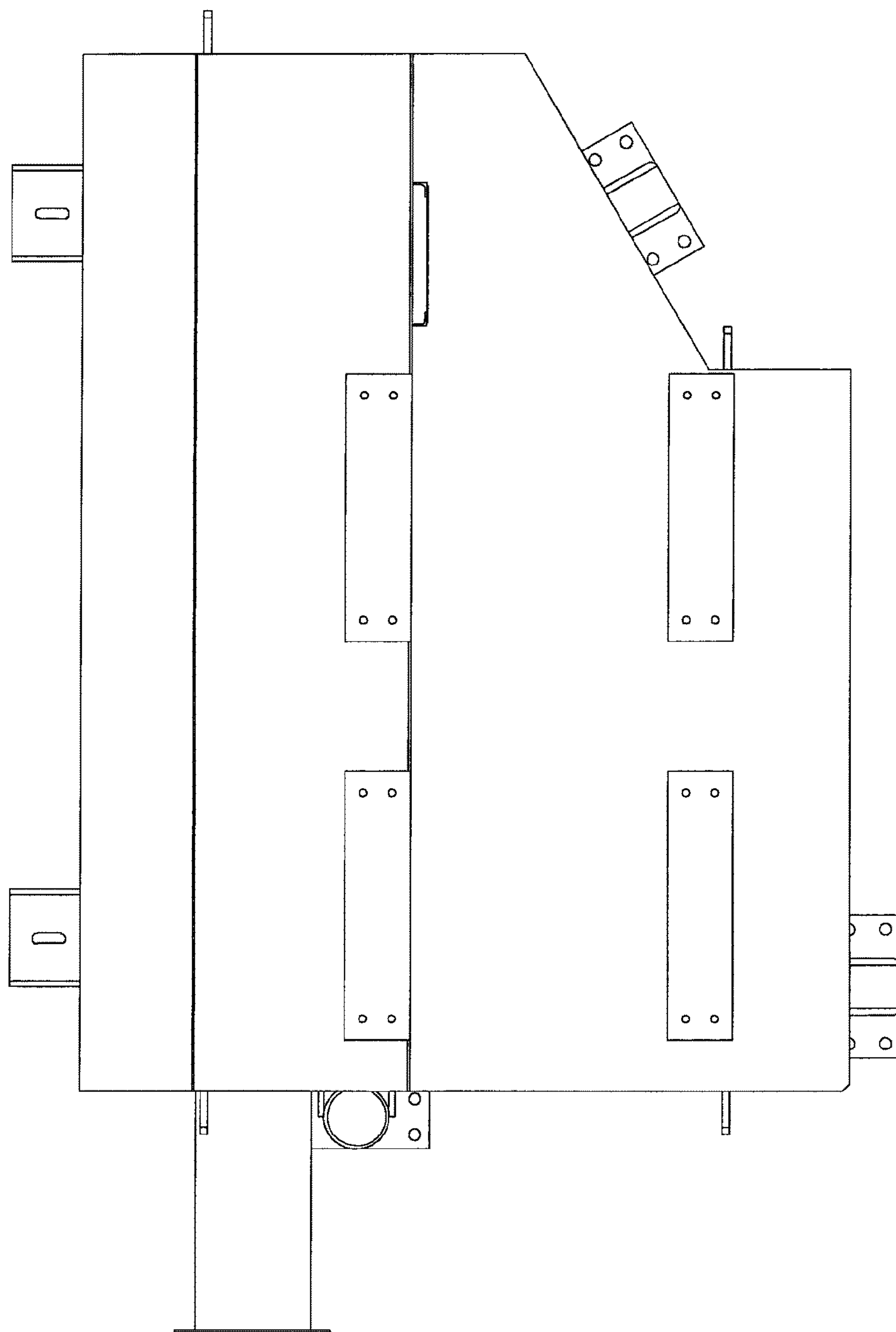


FIGURE 5

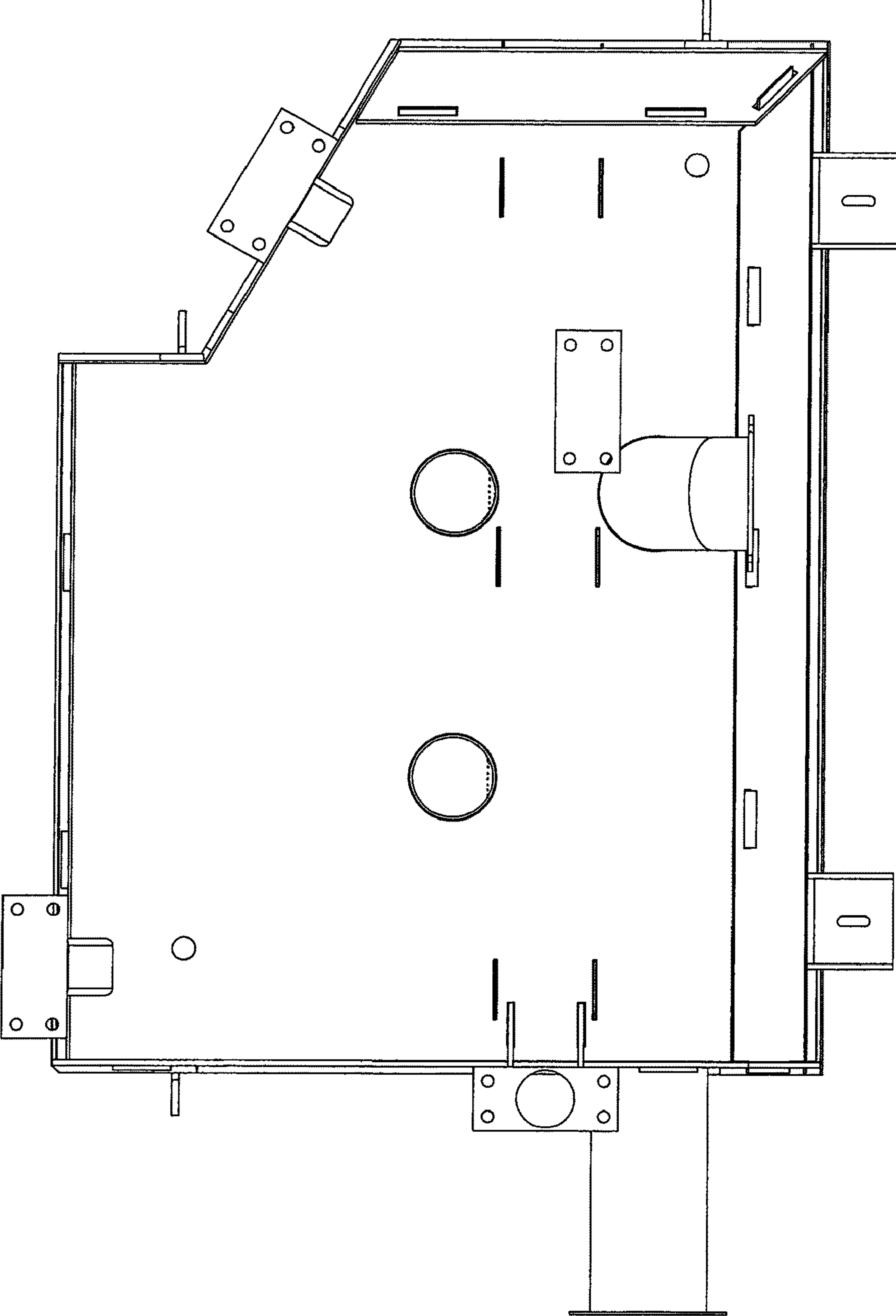


FIGURE 6

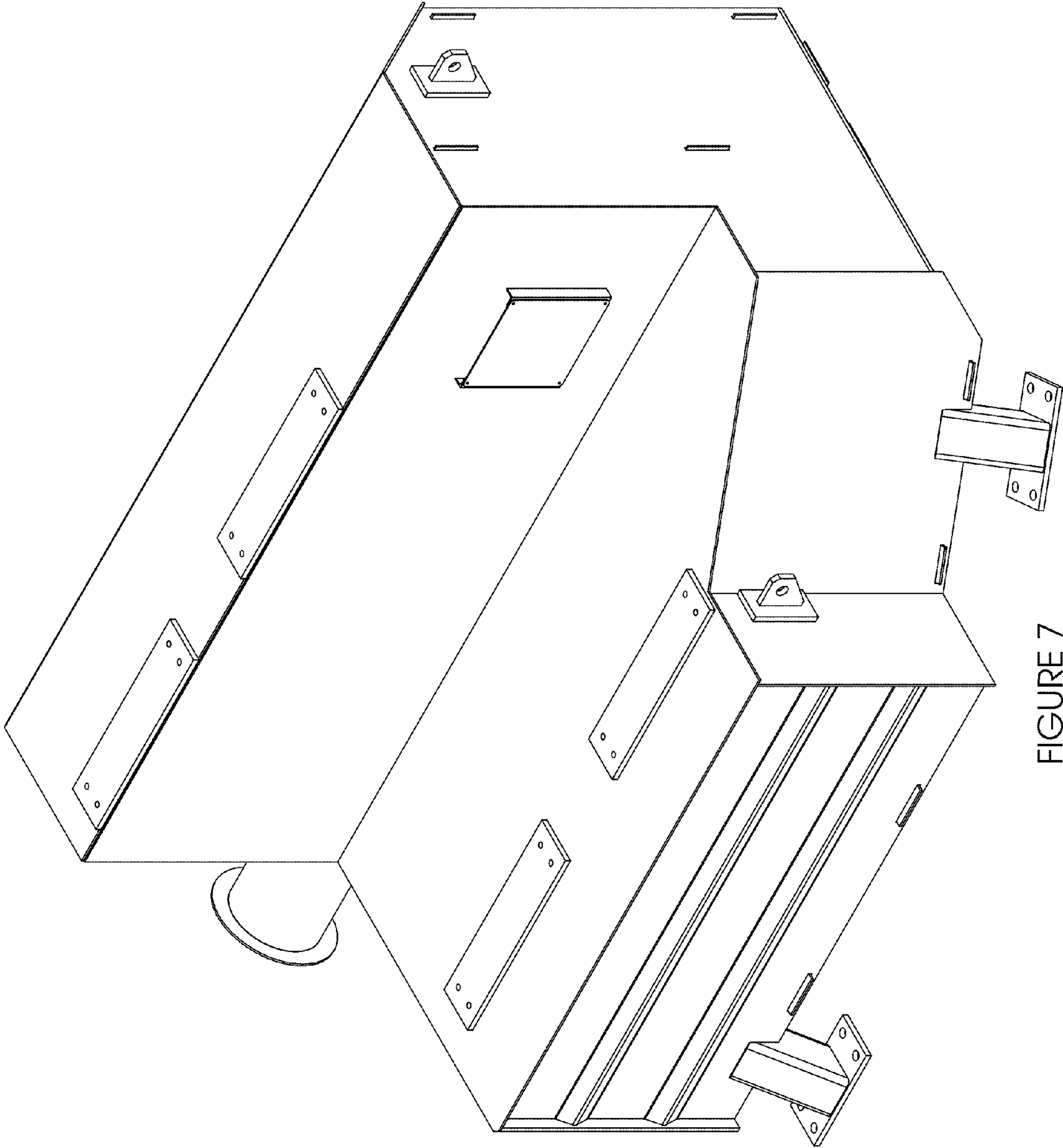


FIGURE 7



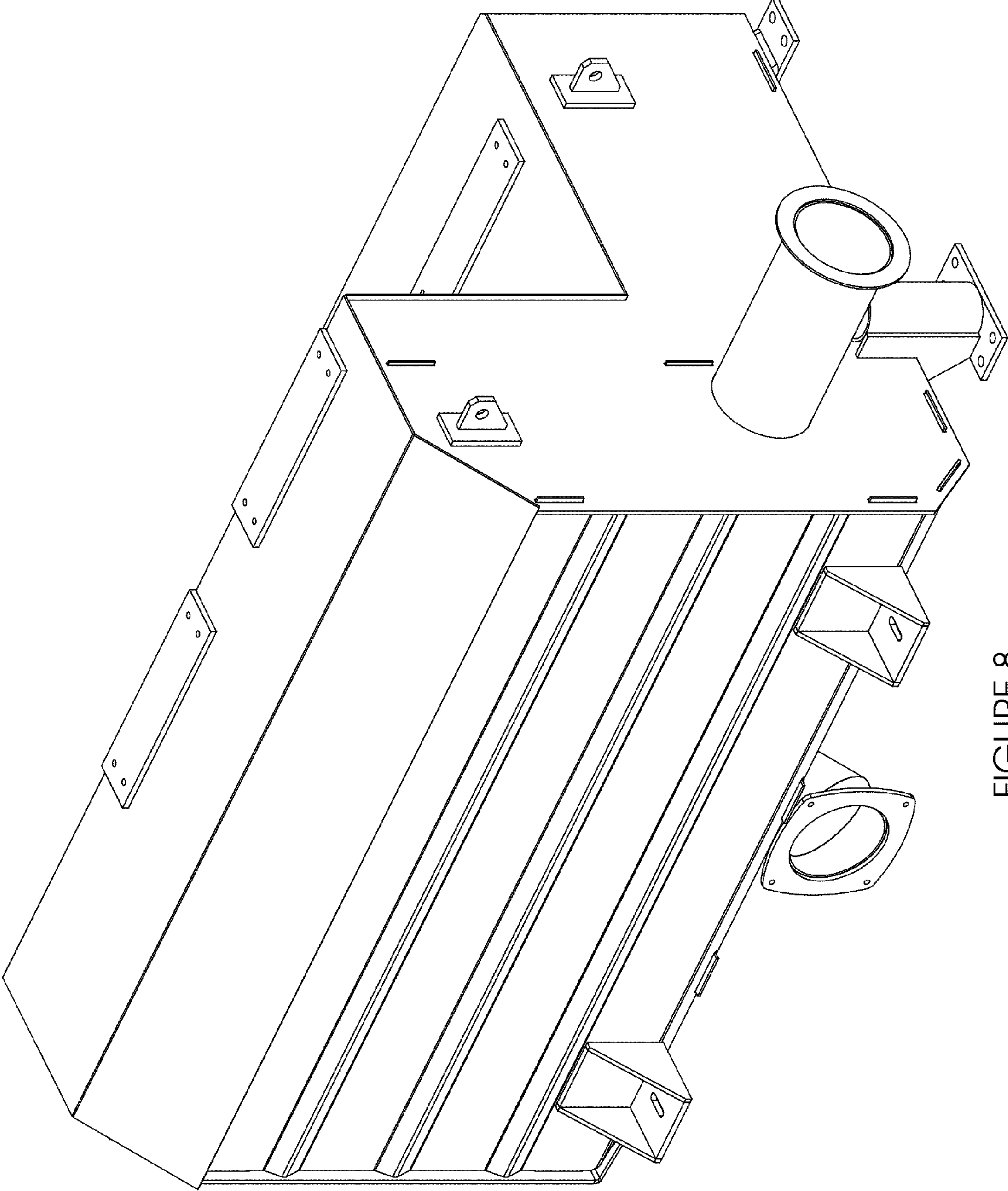


FIGURE 8

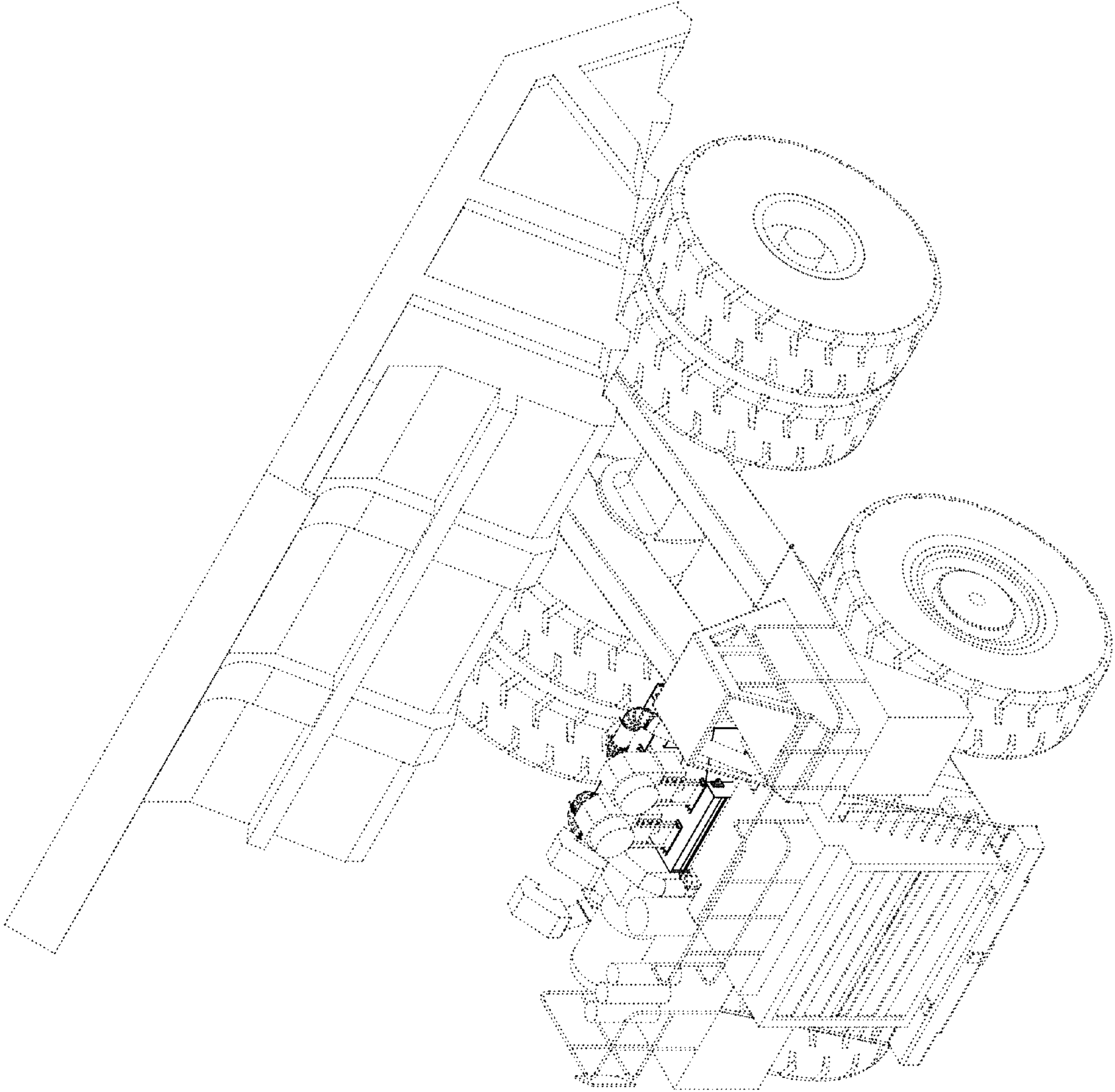


FIGURE 9