



US00D642503S

(12) **United States Design Patent**
Tonello

(10) **Patent No.:** **US D642,503 S**

(45) **Date of Patent:** **** Aug. 2, 2011**

(54) **VEHICLE MIRROR**

(75) Inventor: **Domenico Tonello**, Köln (DE)

(73) Assignee: **Ford Global Technologies, LLC**,
Dearborn, MI (US)

(**) Term: **14 Years**

(21) Appl. No.: **29/382,895**

(22) Filed: **Jan. 10, 2011**

(51) **LOC (9) Cl.** **12-16**

(52) **U.S. Cl.** **D12/187**

(58) **Field of Classification Search** D12/187,
D12/188, 189; D6/300, 309; 359/838, 841-844,
359/868, 871, 604, 881, 514, 866; 248/475.1,
248/479-483

See application file for complete search history.

(56) **References Cited**

U.S. PATENT DOCUMENTS

D500,273 S *	12/2004	Otto et al.	D12/187
D500,274 S *	12/2004	Pfeiffer	D12/187
D619,065 S *	7/2010	Bennett et al.	D12/187
D620,408 S *	7/2010	Elliott et al.	D12/187
D620,410 S *	7/2010	Lamm et al.	D12/187
D621,313 S *	8/2010	Kimura et al.	D12/187

OTHER PUBLICATIONS

Ford Kuga, Frankfurt Motot Show, Sep. 11, 2007.
Ford Kuga, Geneva Auto Show, Mar. 2, 2010.

* cited by examiner

Primary Examiner — Caron D Veynar

Assistant Examiner — Katrina Kile

(74) *Attorney, Agent, or Firm* — Damian Porcari

(57) **CLAIM**

The ornamental design for a vehicle mirror, as shown and described.

DESCRIPTION

FIG. 1 is a left side elevational view of a left vehicle mirror (the right Vehicle Mirror being a mirror image and is not shown);

FIG. 2 is a right side elevational view of the vehicle mirror;

FIG. 3 is a front elevational view of the vehicle mirror;

FIG. 4 is a rear elevational view of the vehicle mirror;

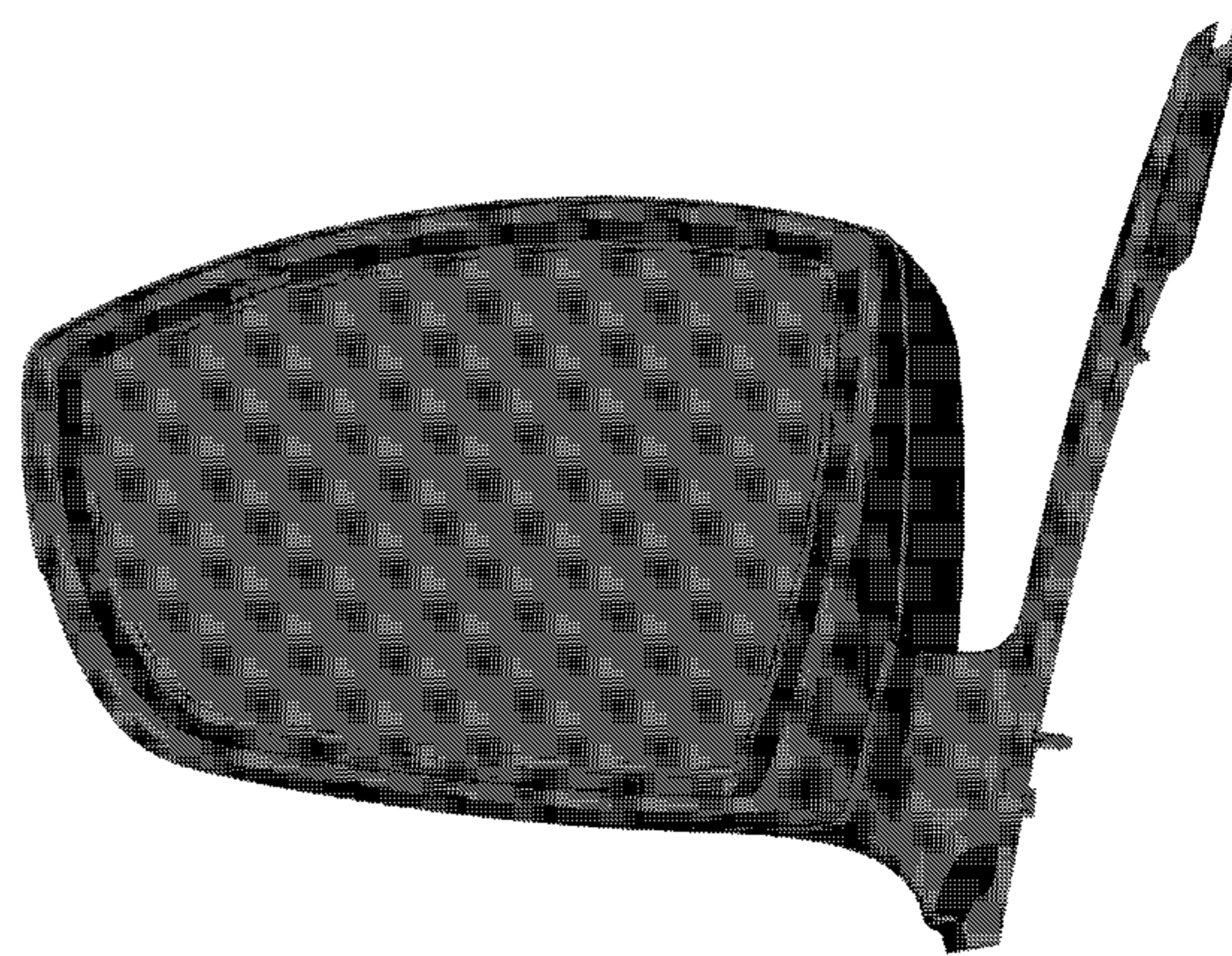
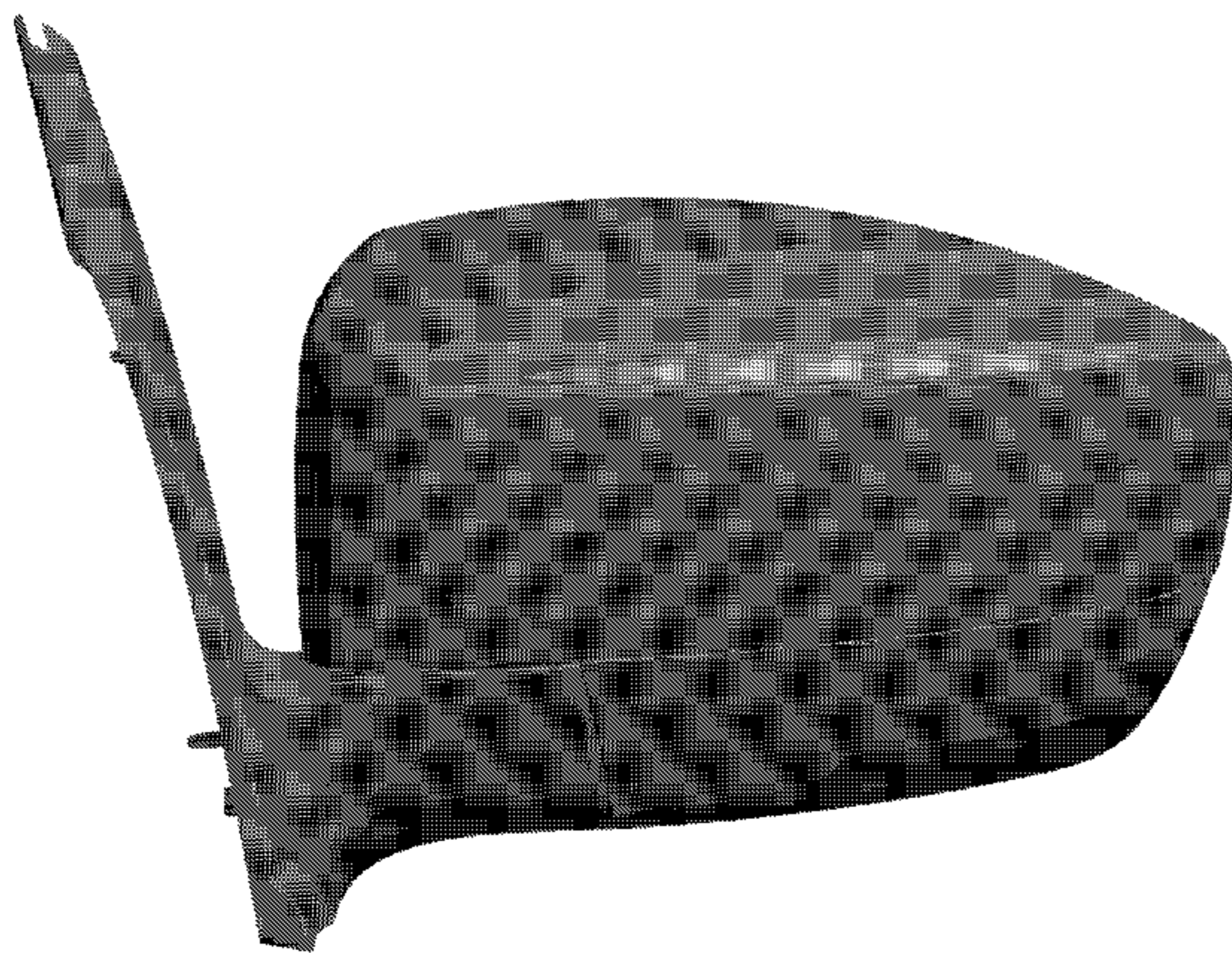
FIG. 5 is a top plan view of the vehicle mirror;

FIG. 6 is a bottom plan view of the vehicle mirror;

FIG. 7 is a perspective view of the vehicle mirror; and,

FIG. 8 is another perspective view of the vehicle mirror.

1 Claim, 8 Drawing Sheets



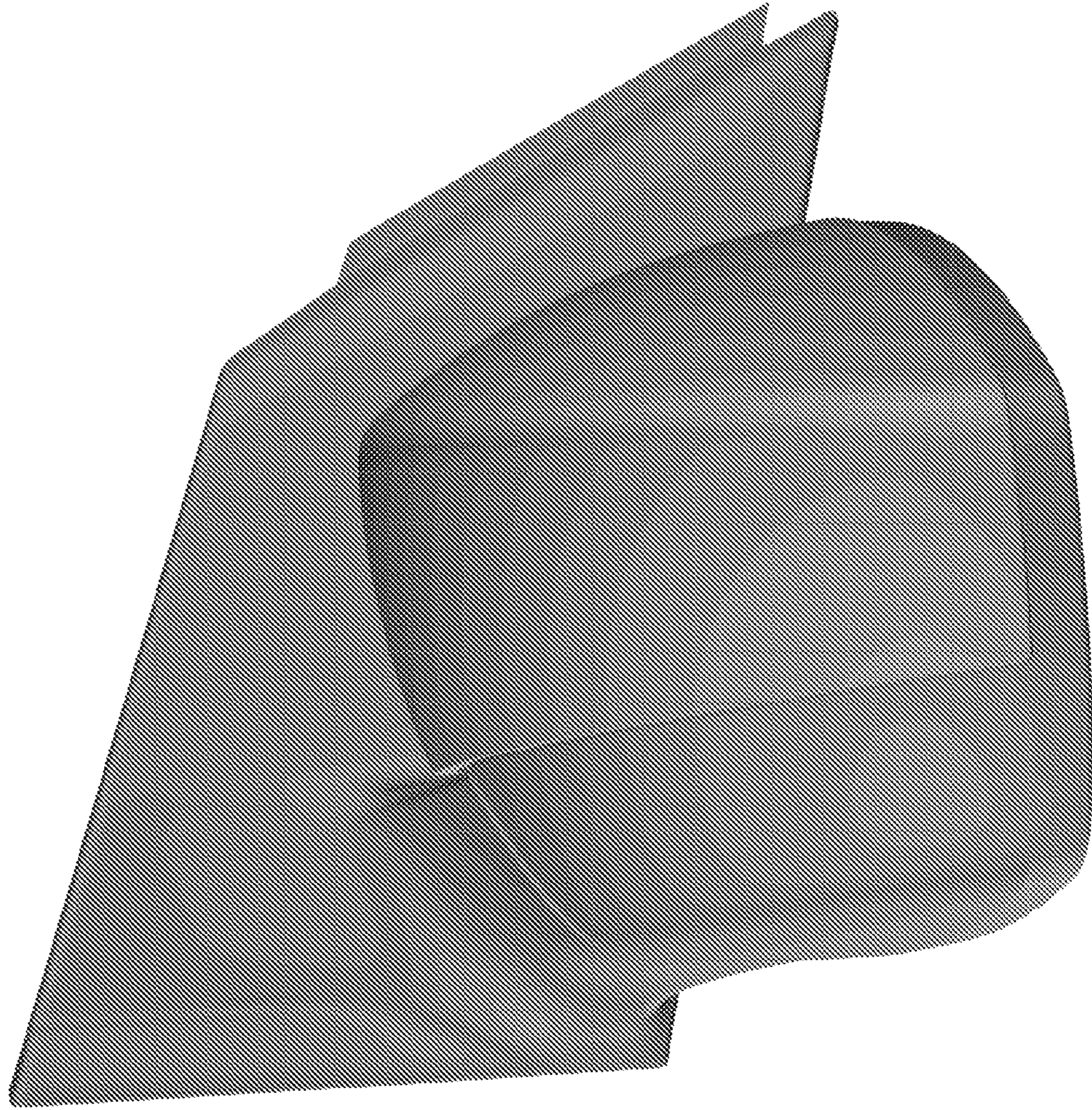


Figure 1

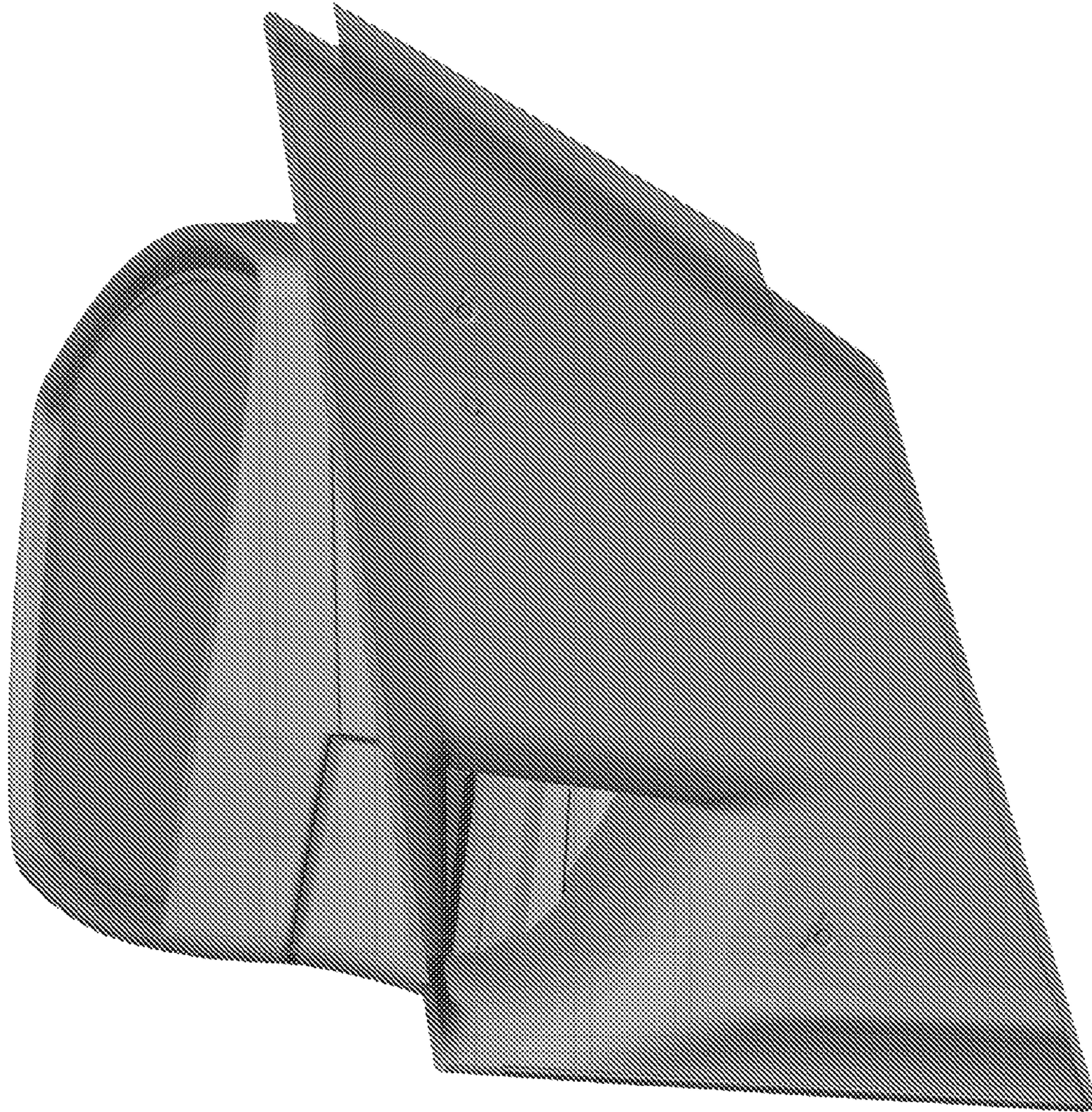


Figure 2

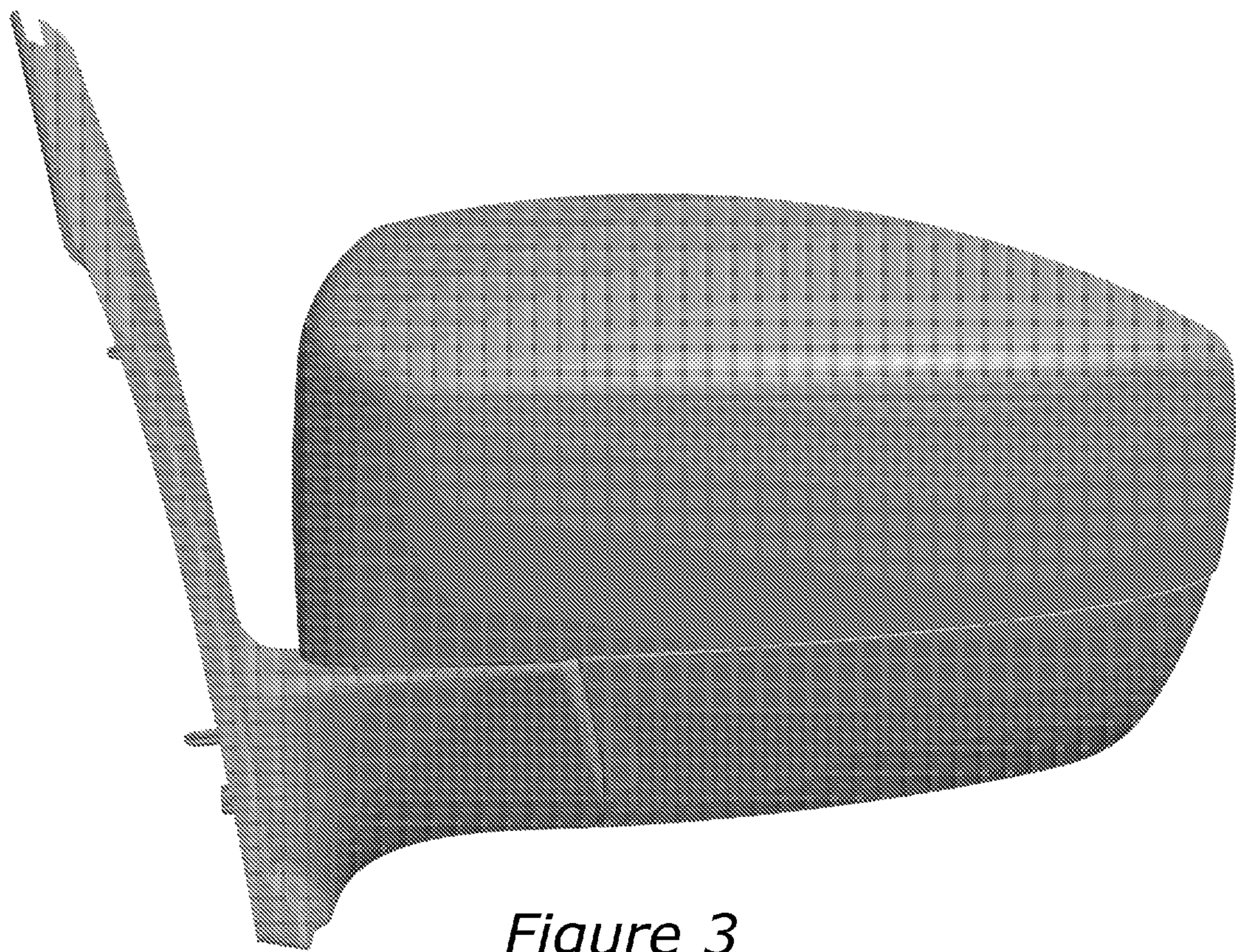


Figure 3

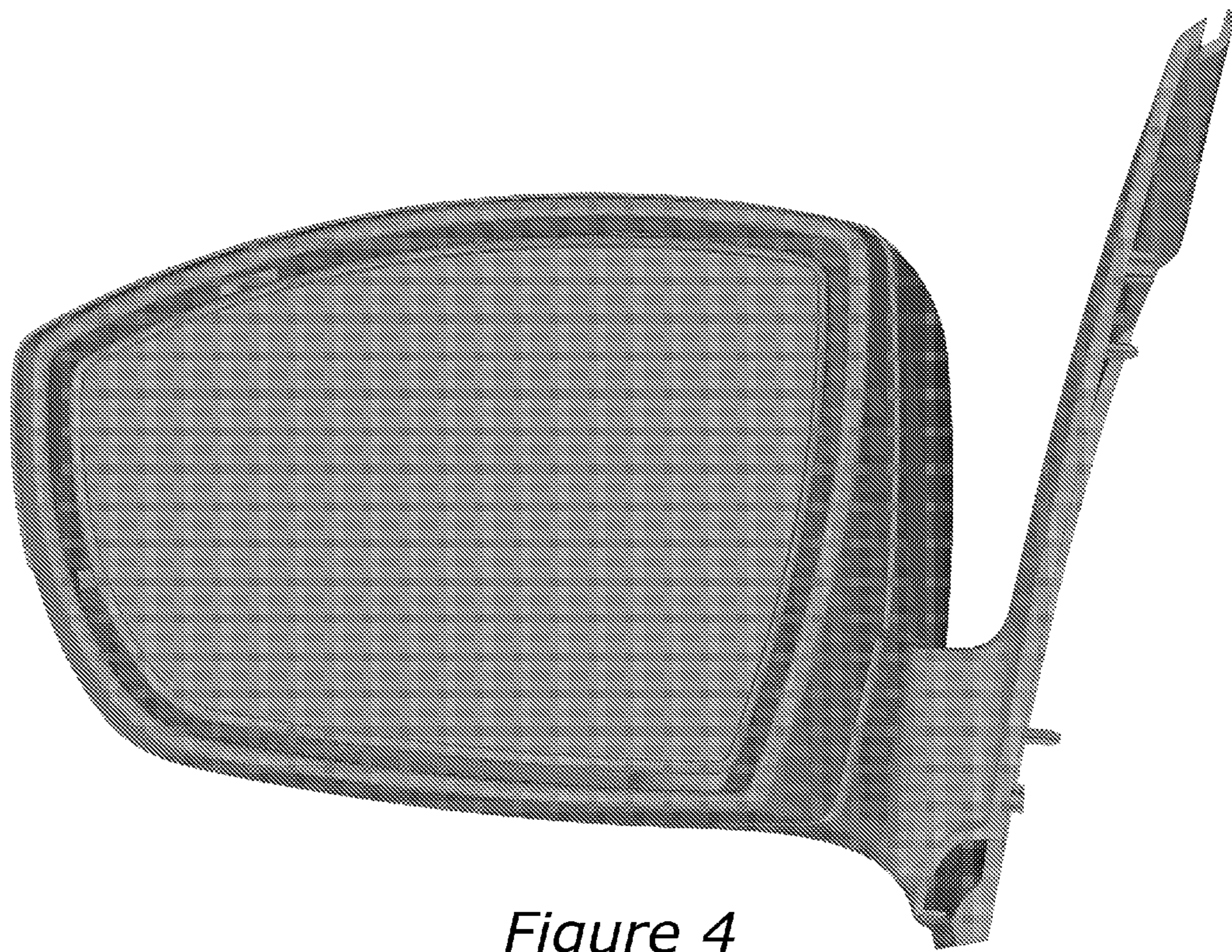


Figure 4

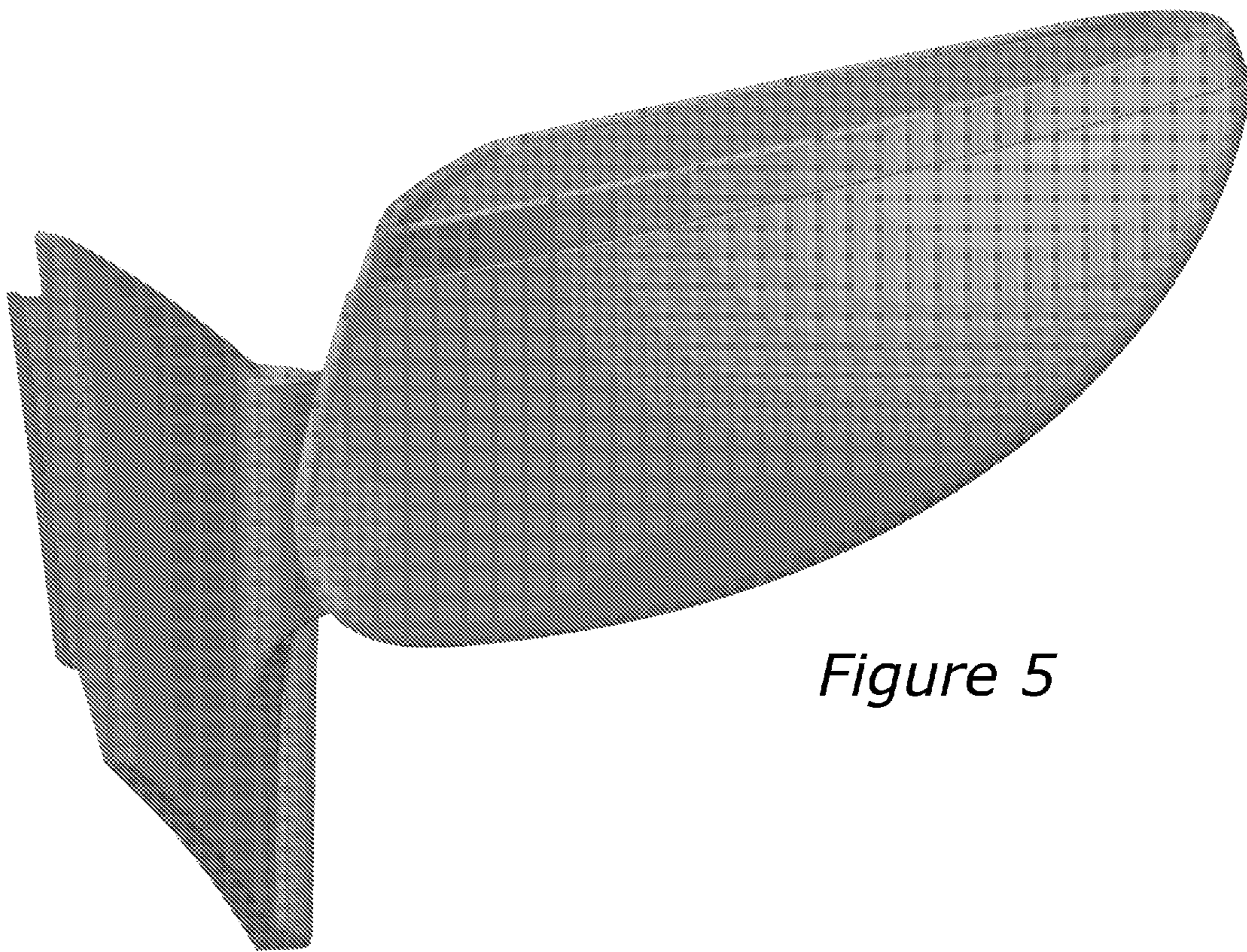


Figure 5

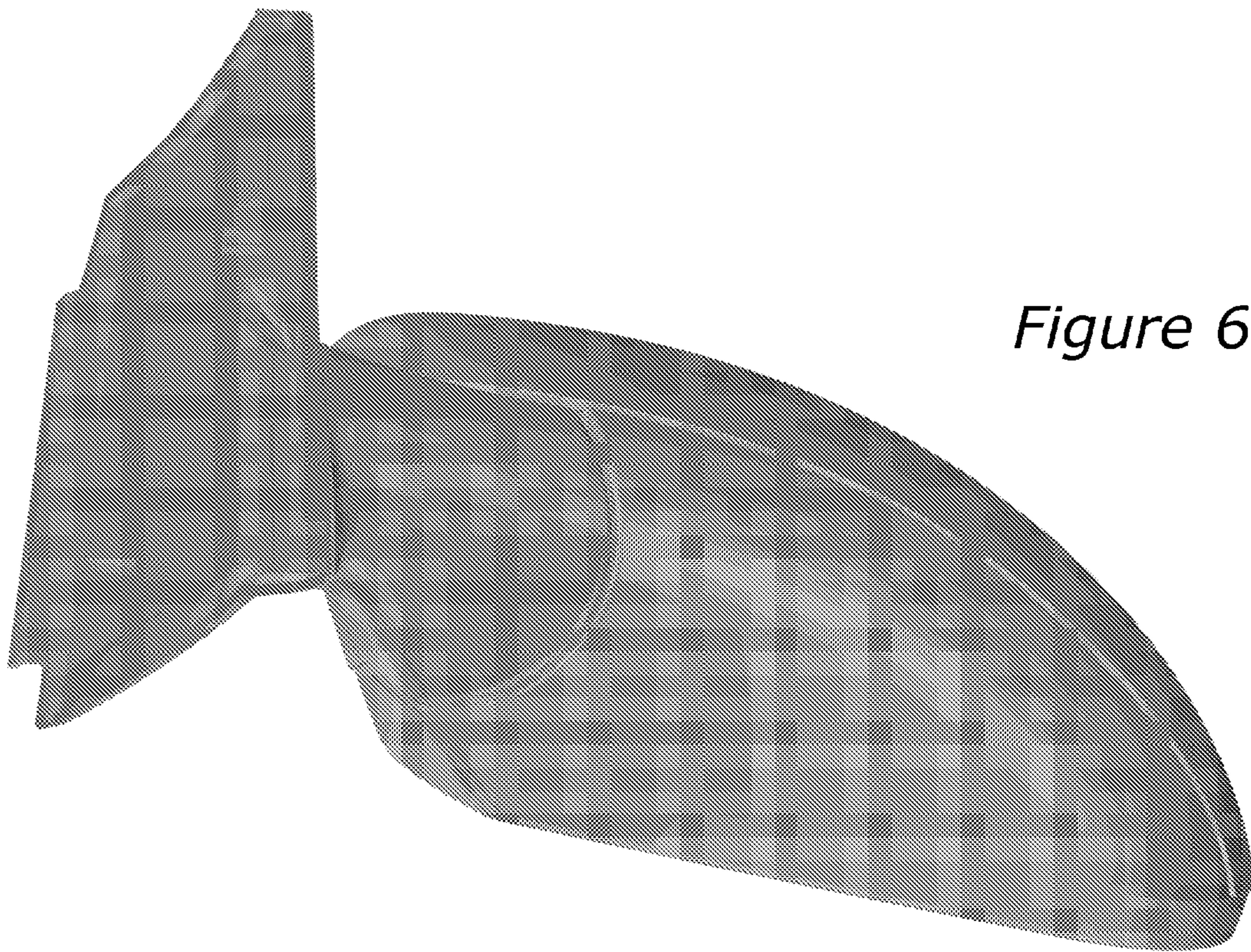


Figure 6

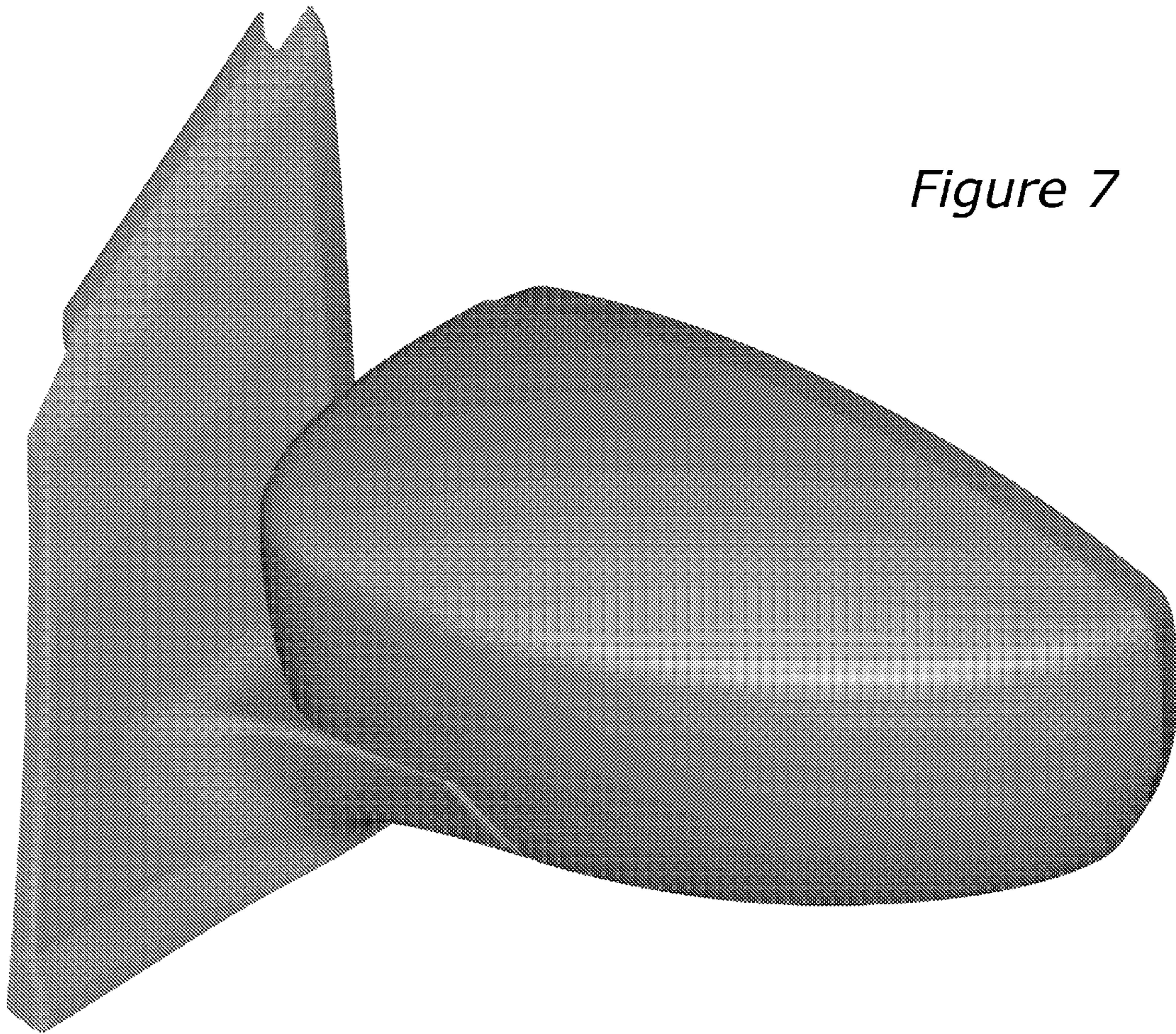


Figure 7

Figure 8

