



US00D642502S

(12) **United States Design Patent**
Harriton

(10) **Patent No.:** **US D642,502 S**

(45) **Date of Patent:** **** Aug. 2, 2011**

(54) **REAR BUMPER**

(75) Inventor: **David Harriton**, Missoula, MT (US)

(73) Assignee: **StreetCar ORV LLC**, Wixom, MI (US)

(**) Term: **14 Years**

(21) Appl. No.: **29/378,964**

(22) Filed: **Nov. 12, 2010**

(51) **LOC (9) Cl.** **12-16**

(52) **U.S. Cl.** **D12/169**

(58) **Field of Classification Search** D12/169,
D12/196, 171, 216, 163, 86, 90-92; 293/102,
293/113, 115, 117, 120; 296/180.1, 180.2
See application file for complete search history.

(56) **References Cited**

U.S. PATENT DOCUMENTS

D560,149 S *	1/2008	Leclercq	D12/184
D563,296 S *	3/2008	Sinkwitz	D12/184
D563,297 S *	3/2008	Sinkwitz	D12/184
D621,752 S *	8/2010	Angelo et al.	D12/169

* cited by examiner

Primary Examiner — Melody N Brown

(74) *Attorney, Agent, or Firm* — Quinn Law Group, PLLC

(57) **CLAIM**

I claim the ornamental design for a rear bumper, as shown and described herein.

DESCRIPTION

FIG. 1 is a top right rear perspective view of a rear bumper, FIG. 2 is a top left rear perspective view of the rear bumper of FIG. 1,

FIG. 3 is a rear view of the rear bumper of FIG. 1,

FIG. 4 is a left side view of the rear bumper of FIG. 1,

FIG. 5 is a front view of the rear bumper of FIG. 1,

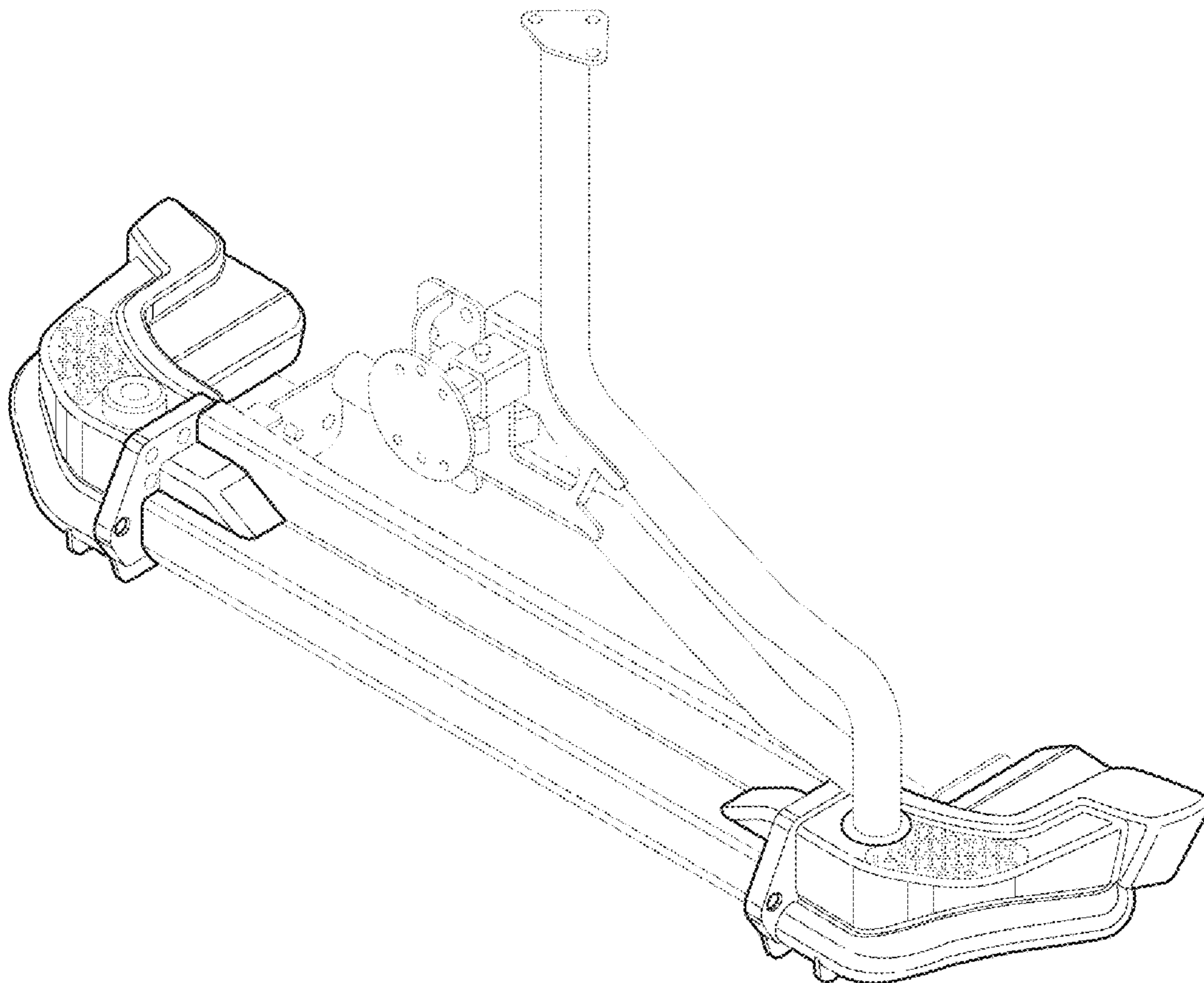
FIG. 6 is a right side view of the rear bumper of FIG. 1,

FIG. 7 is a top view of the rear bumper of FIG. 1; and,

FIG. 8 is a bottom view of the bumper of FIG. 1.

The portions of the bumper shown in broken lines are for illustrative purposes only and form no part of the claimed design.

1 Claim, 8 Drawing Sheets



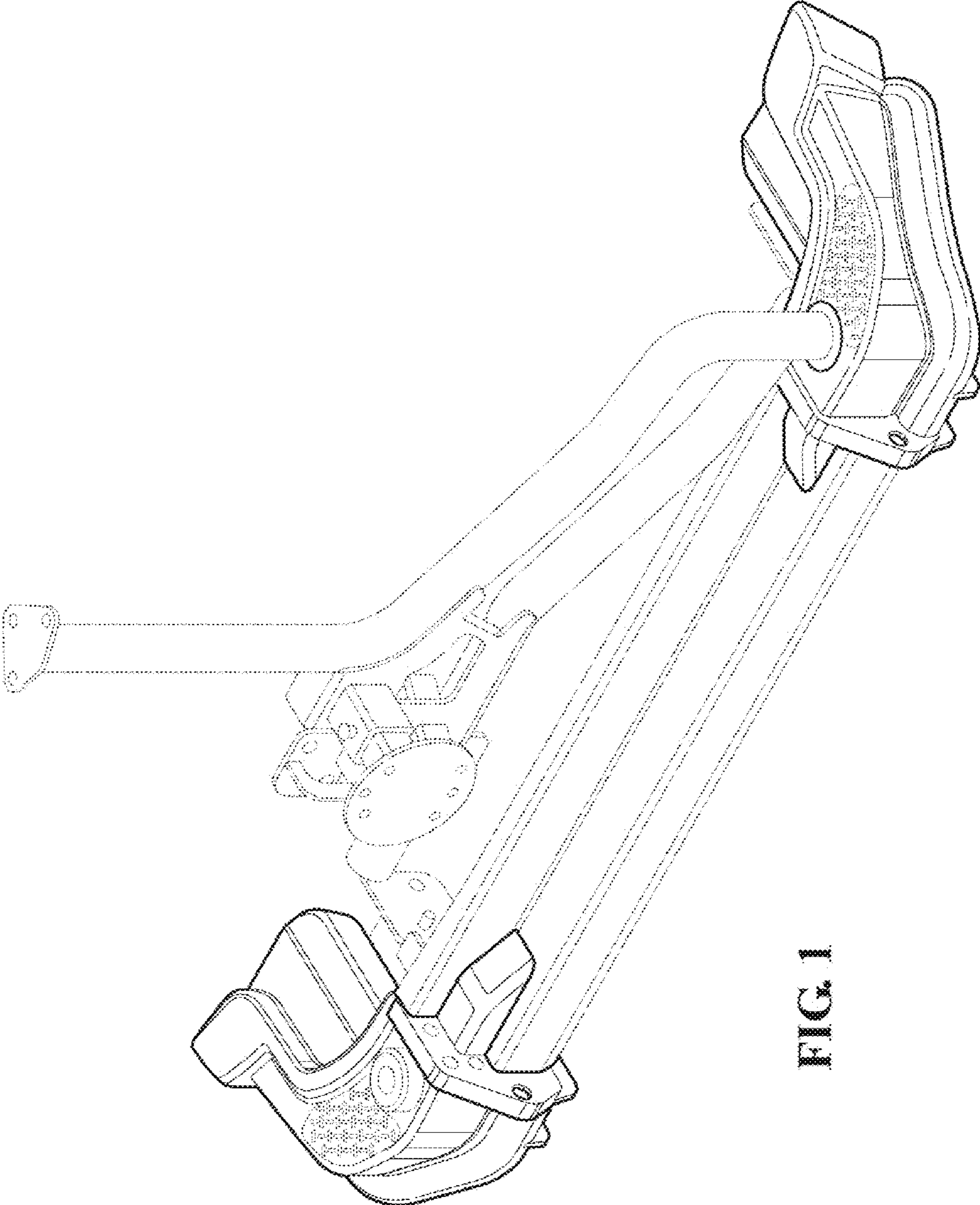


FIG. 1

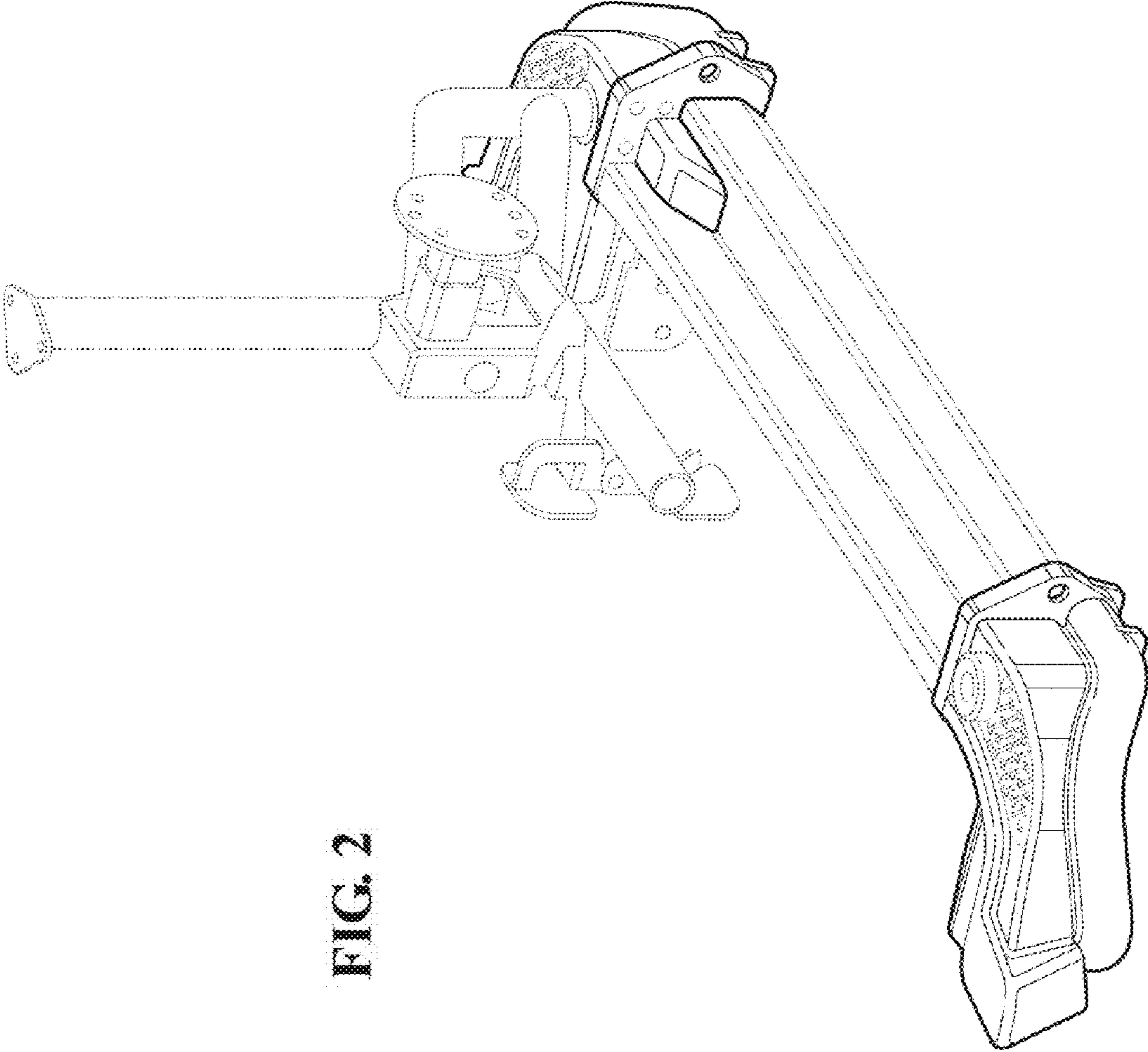


FIG. 2

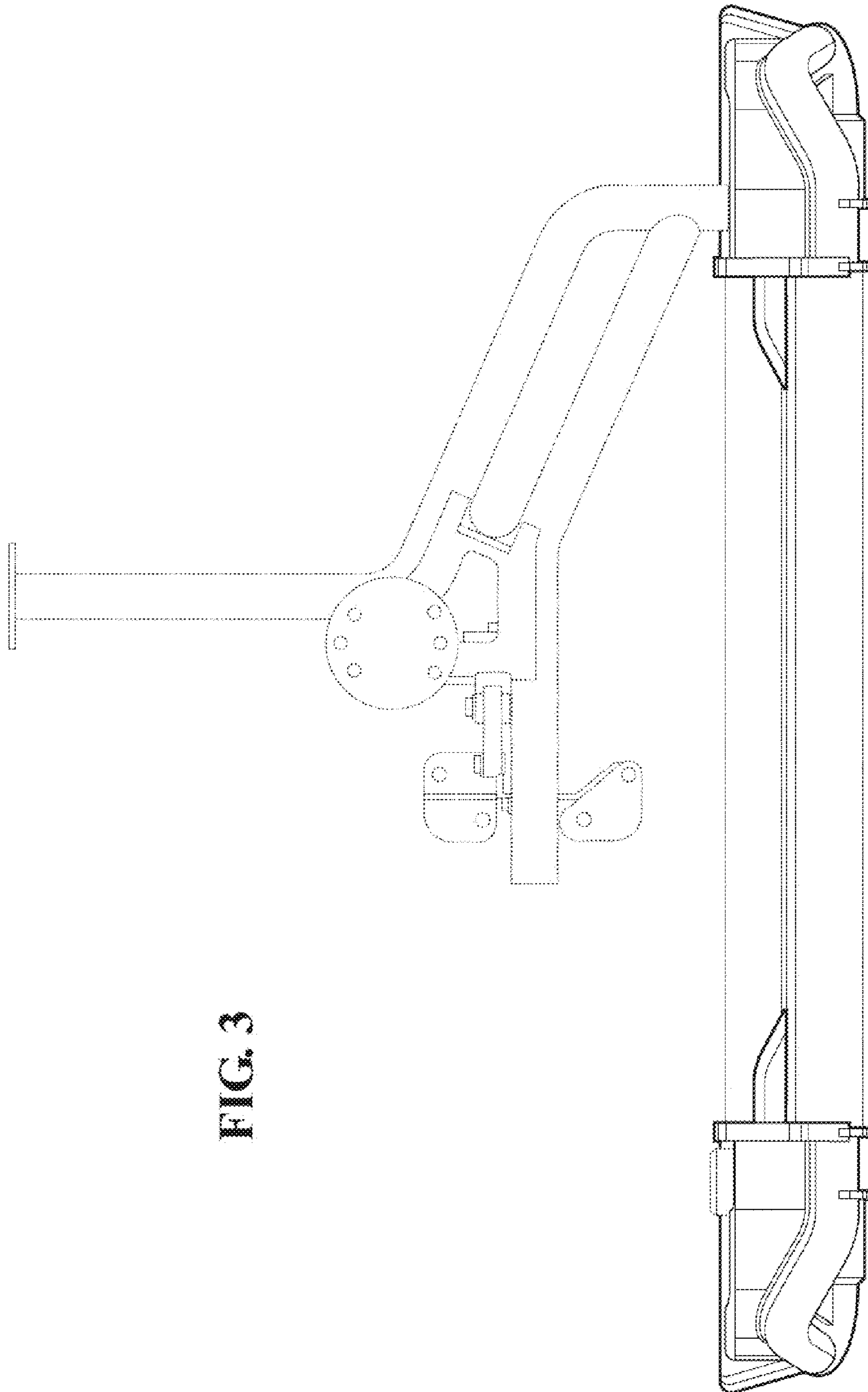


FIG. 3

FIG. 4

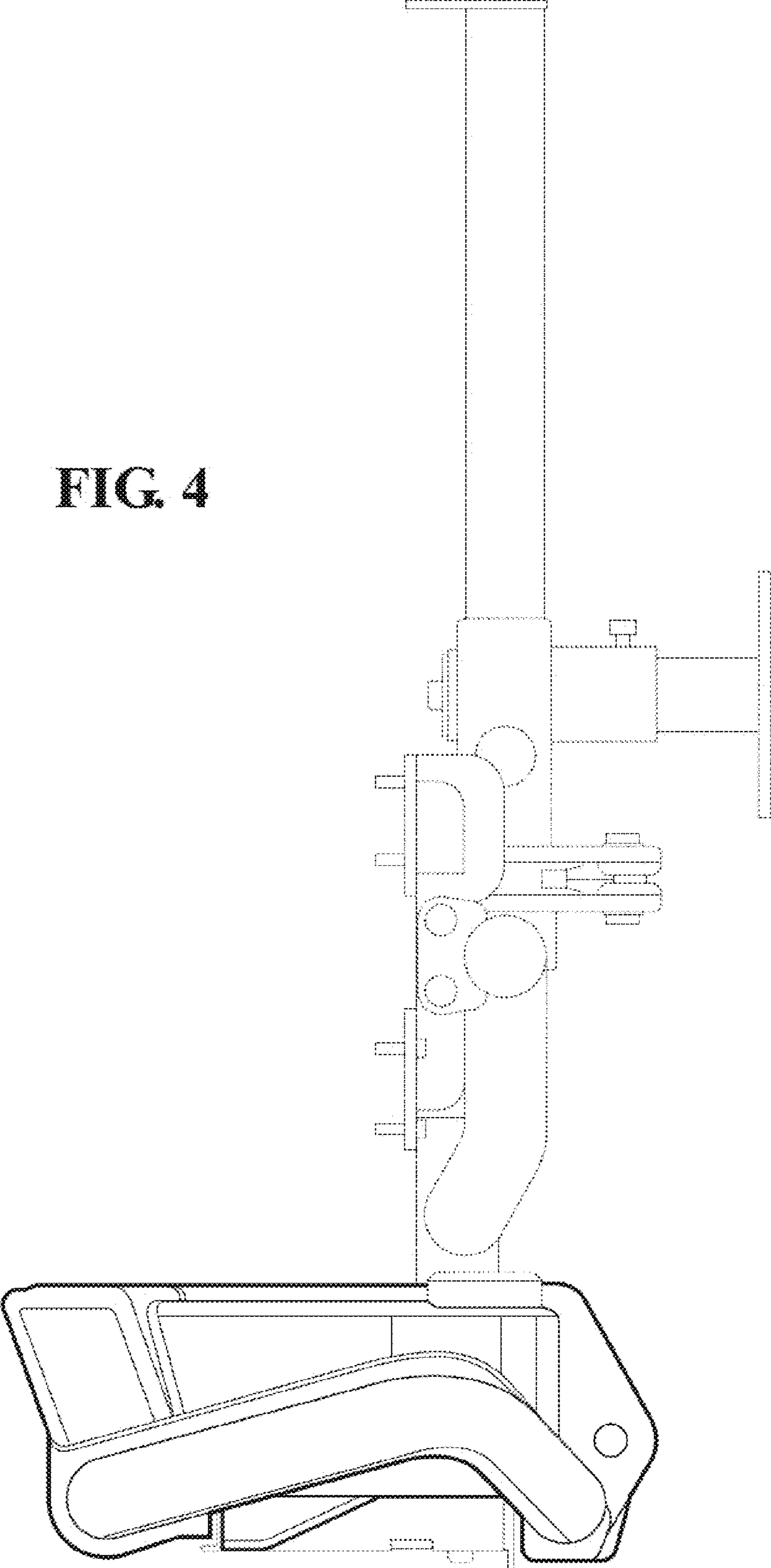
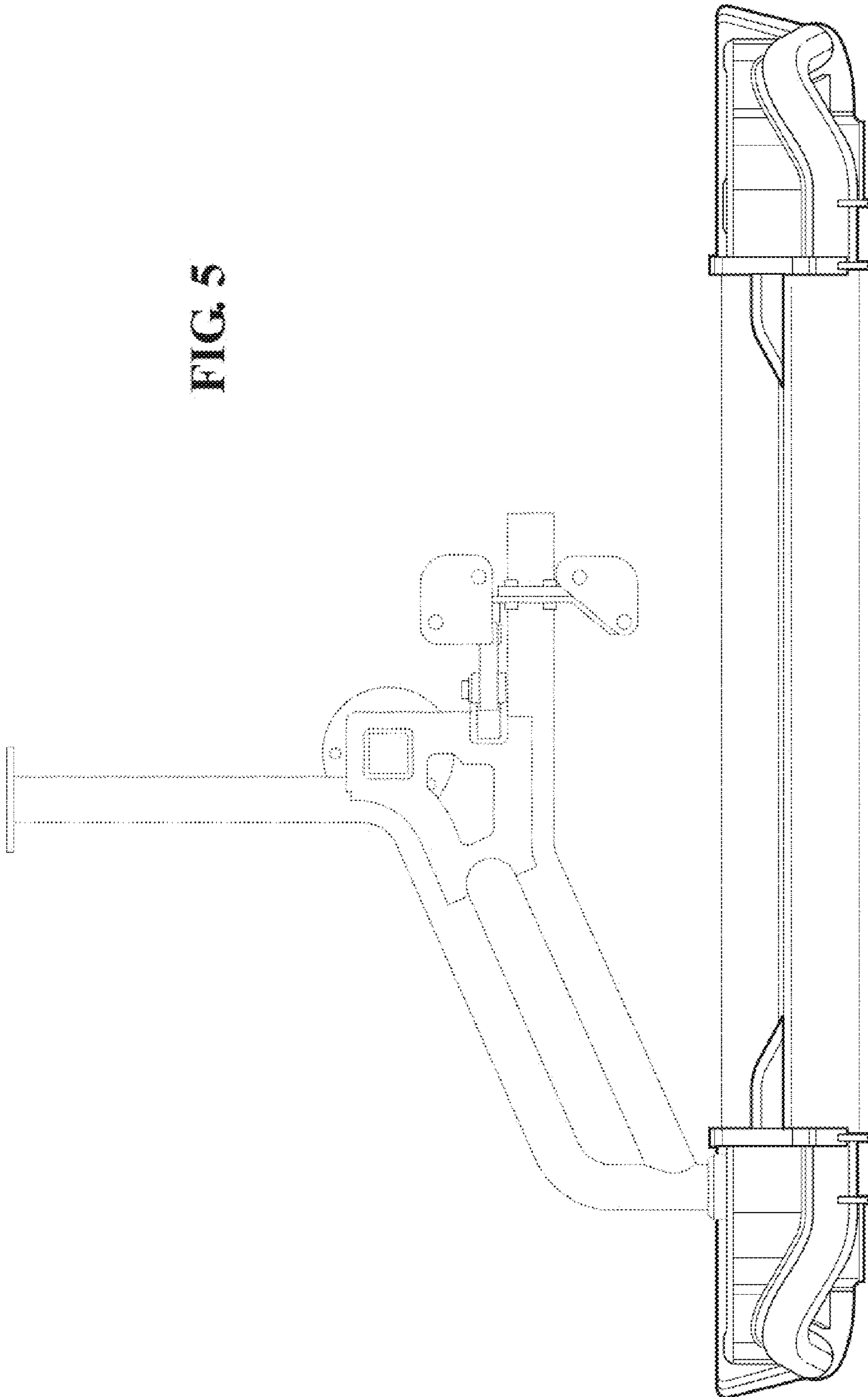


FIG. 5



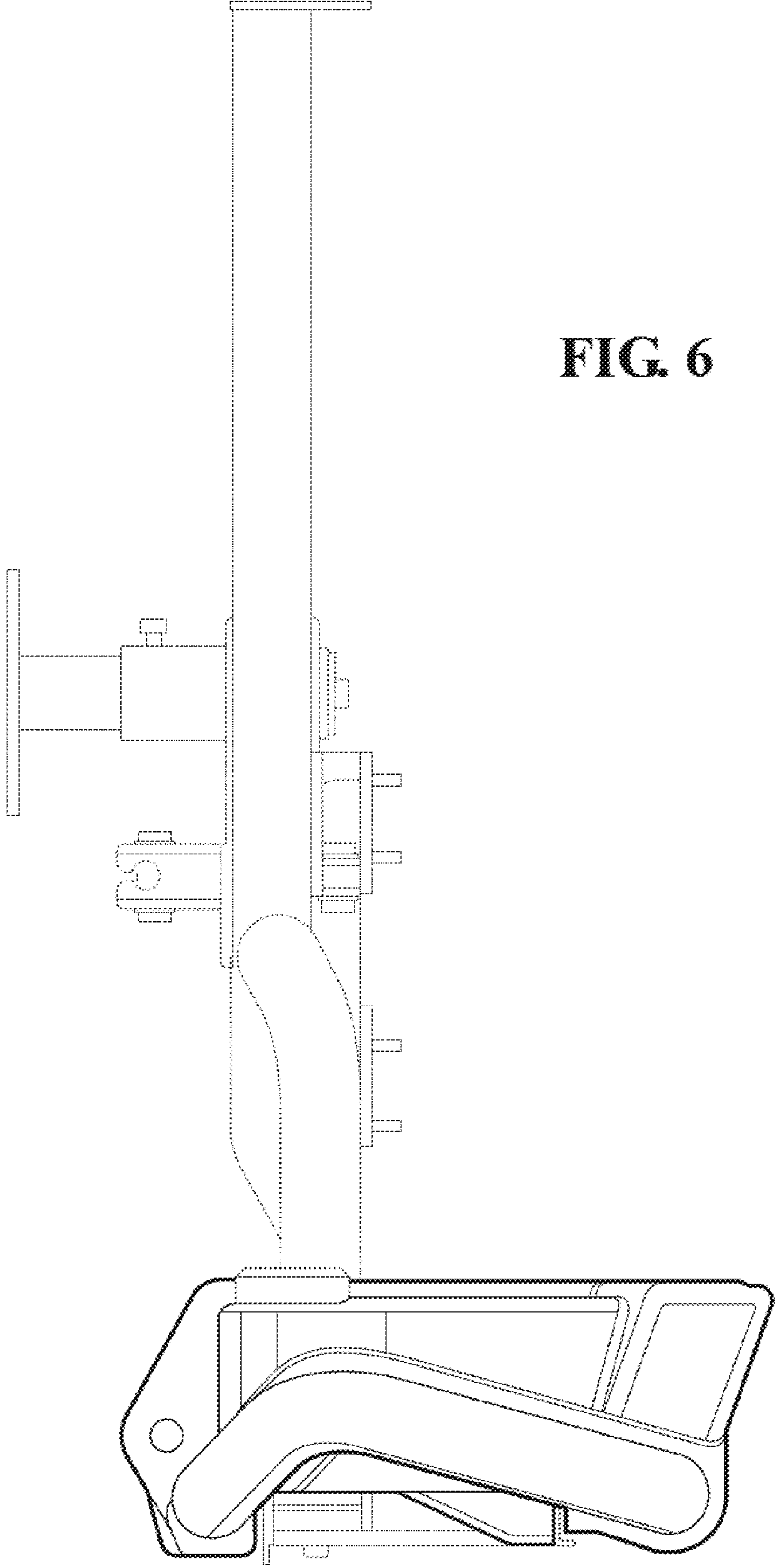


FIG. 6

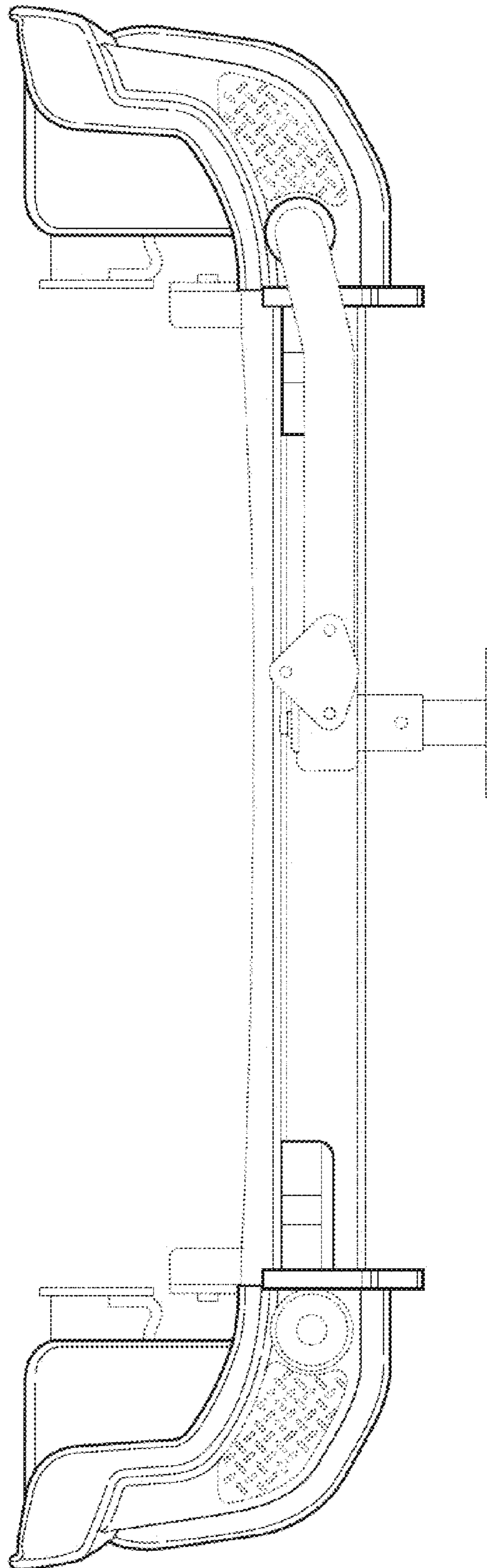


FIG. 7

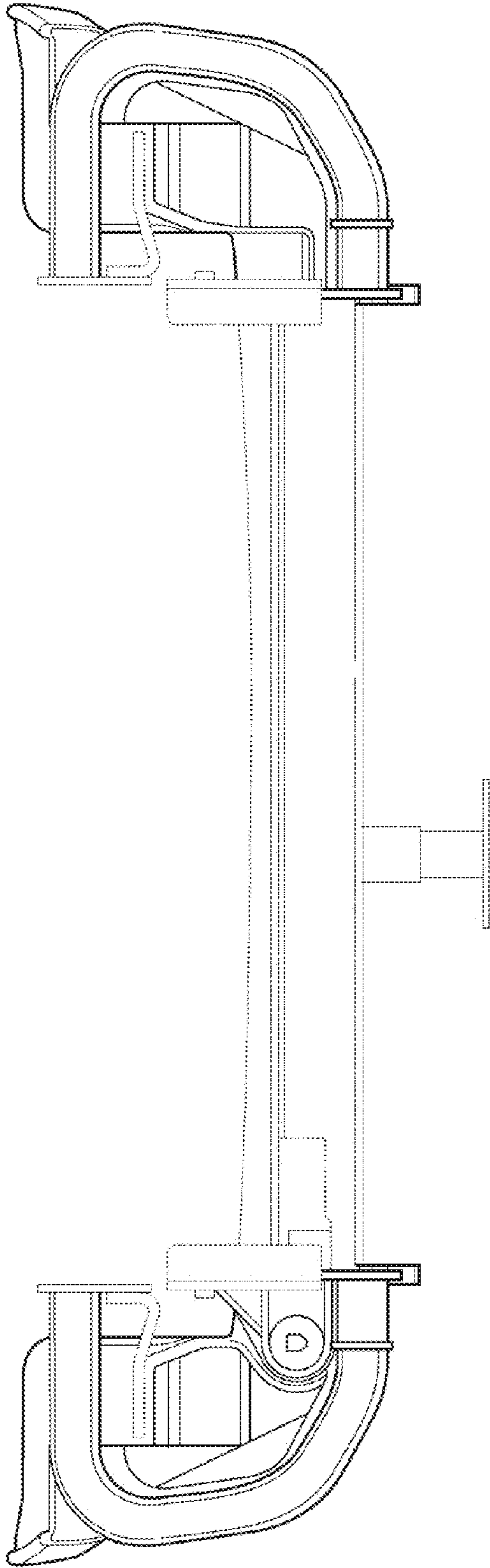


FIG. 8