



US00D642500S

(12) **United States Design Patent**
Tuckowski et al.

(10) **Patent No.:** **US D642,500 S**
(45) **Date of Patent:** **** Aug. 2, 2011**

(54) **FRAME**

(75) Inventors: **Thomas Tuckowski**, Strongsville, OH (US); **Traian Mohan**, Parma, OH (US); **Robert Bekoscke**, Medina, OH (US); **Damon Jurkiewicz**, Cleveland, OH (US); **Daniel James Yee**, Parma, OH (US); **Joseph Spalding**, Akron, OH (US); **Howard Loewenthal**, Hinckley, OH (US)

(73) Assignee: **Invacare Corp.**, Elyria, OH (US)

(**) Term: **14 Years**

(21) Appl. No.: **29/364,464**

(22) Filed: **Jun. 24, 2010**

(51) **LOC (9) Cl.** **12-12**

(52) **U.S. Cl.** **D12/133**

(58) **Field of Classification Search** D12/128-133;
D6/360, 367; 280/62, 647-650, 29, 200,
280/47.38, 250.1, 259, 642, 658; 297/DIG. 4;
296/65.03, 65.04; 224/409; D21/425, 426;
D34/17, 18

See application file for complete search history.

(56) **References Cited**

U.S. PATENT DOCUMENTS

D231,801 S	6/1974	Pivacek	
3,865,427 A	2/1975	Delany	
4,025,112 A	5/1977	Hale	
4,961,610 A	10/1990	Reeder et al.	
5,033,792 A	7/1991	Kanazawa	
5,275,466 A	1/1994	Rentchler, Jr.	
D365,787 S	1/1996	Peterson et al.	
D380,991 S	7/1997	Deming	
6,015,190 A	1/2000	Wend	
6,312,000 B1 *	11/2001	Pauls et al.	280/250.1
6,352,273 B1	3/2002	Dickie	
6,386,638 B1	5/2002	Strauch	
D462,639 S	9/2002	Lin	
6,459,962 B2	10/2002	Ulrich et al.	
D468,669 S	1/2003	Hopely, Jr.	

(Continued)

FOREIGN PATENT DOCUMENTS

WO 97/046516 12/1997

OTHER PUBLICATIONS

Invacare Corporation, User Manual, FDX Power Wheelchair Base FDX, FDX-CG, FDX-MCG, 96 pgs., Rev A—Sep. 2010, copyright 2010.

(Continued)

Primary Examiner — Ian Simmons

Assistant Examiner — Charles Hanson

(74) *Attorney, Agent, or Firm* — Calfee, Halter & Griswold LLP

(57) **CLAIM**

The ornamental design for a frame, as shown and described.

DESCRIPTION

FIG. 1 is a top/front/right perspective view of an embodiment of a frame;

FIG. 2 is a bottom/rear/left perspective view of the embodiment of FIG. 1;

FIG. 3 is a right side elevational view of the embodiment of FIG. 1, for which the left side elevational view would be a mirror image thereof;

FIG. 4 is a top plan view of the embodiment of FIG. 1;

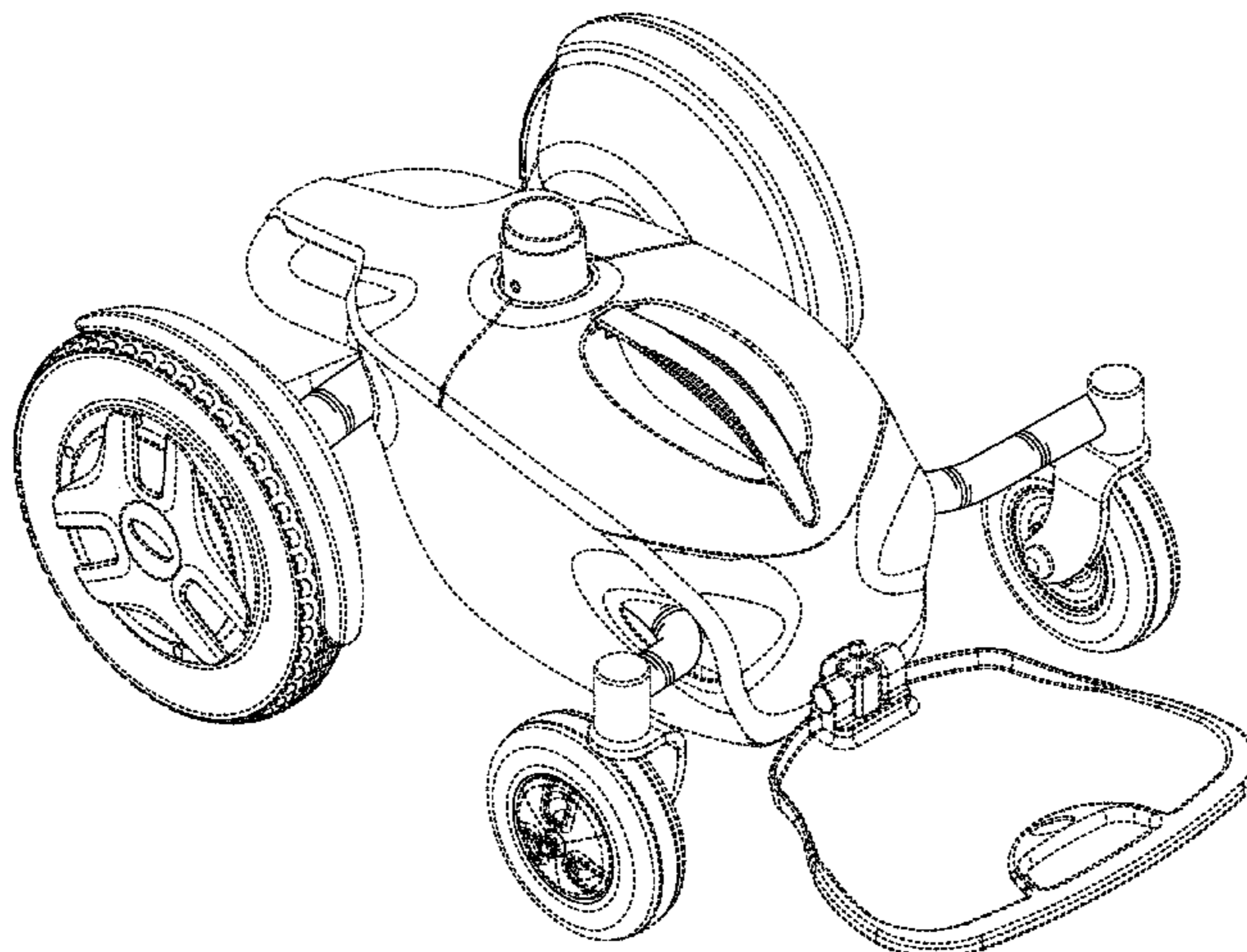
FIG. 5 is a bottom plan view of the embodiment of FIG. 1;

FIG. 6 is a front elevational view of the embodiment of FIG. 1; and,

FIG. 7 is a rear elevational view of the embodiment of FIG. 1.

The broken lines shown in the drawings are for illustrative purposes only and form no part of the claimed design. The surface shading illustrated in the drawings is provided merely to highlight the contour of the design and is not intended to be illustrative texture or gloss.

1 Claim, 6 Drawing Sheets



US D642,500 S

Page 2

U.S. PATENT DOCUMENTS

D491,115 S 6/2004 Taylor
D491,494 S * 6/2004 Lippert D12/128
D494,110 S 8/2004 Cheng
D523,788 S 6/2006 Jones et al.
D529,844 S 10/2006 Chen et al.
D540,221 S 4/2007 Cartellone et al.
7,273,118 B2 * 9/2007 Huang 180/65.1
D559,741 S 1/2008 Lasher, III
D569,769 S 5/2008 Chiu et al.
7,413,045 B2 8/2008 Tien
D585,794 S 2/2009 Lin
D589,411 S 3/2009 Brown et al.
D602,405 S * 10/2009 Skafdrup et al. D12/131
D614,541 S 4/2010 Storm
7,694,991 B2 4/2010 Mills et al.
D615,461 S 5/2010 Storm
7,828,310 B2 * 11/2010 Vreeswijk et al. 280/250.1
2001/0013437 A1 8/2001 Husted et al.
2006/0082098 A1 4/2006 Harris
2007/0107963 A1 5/2007 Chiu
2007/0195081 A1 8/2007 Fischer
2008/0087481 A1 4/2008 Gry

OTHER PUBLICATIONS

Invacare Corporation, Operator and Maintenance Manual, Pronto M51 and M6I with SureStep, 80 pgs., Rev J—Oct. 2008, copyright 2008.
Invacare Corporation, product Catalog, copyright 2004, printed Feb. 18, 2011, 14 pgs.
Invacare Corporation, At'm (Take Along Chair), 2 page brochure, copyright 2009.
Invacare Corporation, FDX Front-Wheel Drive Power Wheelchair, 4 page brochure, copyright 2010.
Invacare Corporation, Nutron R51, 2 page brochure, copyright 2006.
Invacare Corporation, P9000 XDT, 2 page brochure, copyright 2007.
Invacare Corporation, Pronto M51, 4 page brochure, copyright 2010.
Invacare Corporation, Pronto M51 with Formula CG Seating, 2 page web printout, printed Feb. 18, 2011.
Invacare Corporation, The New TDX Family, 26 page brochure, copyright 2008.
Invacare Corporation, Storm Series, 16 page brochure, copyright 2010.

* cited by examiner

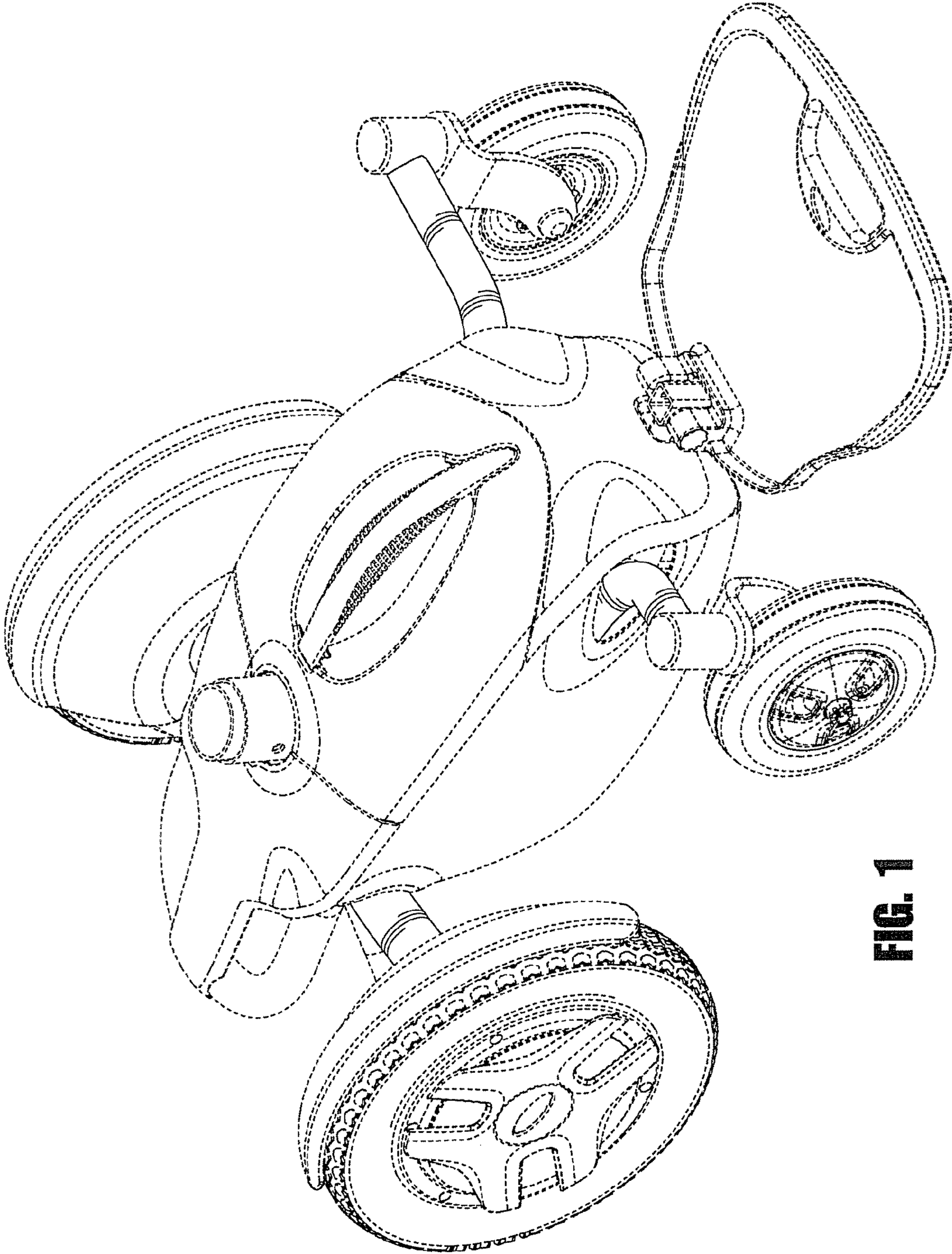


FIG. 1

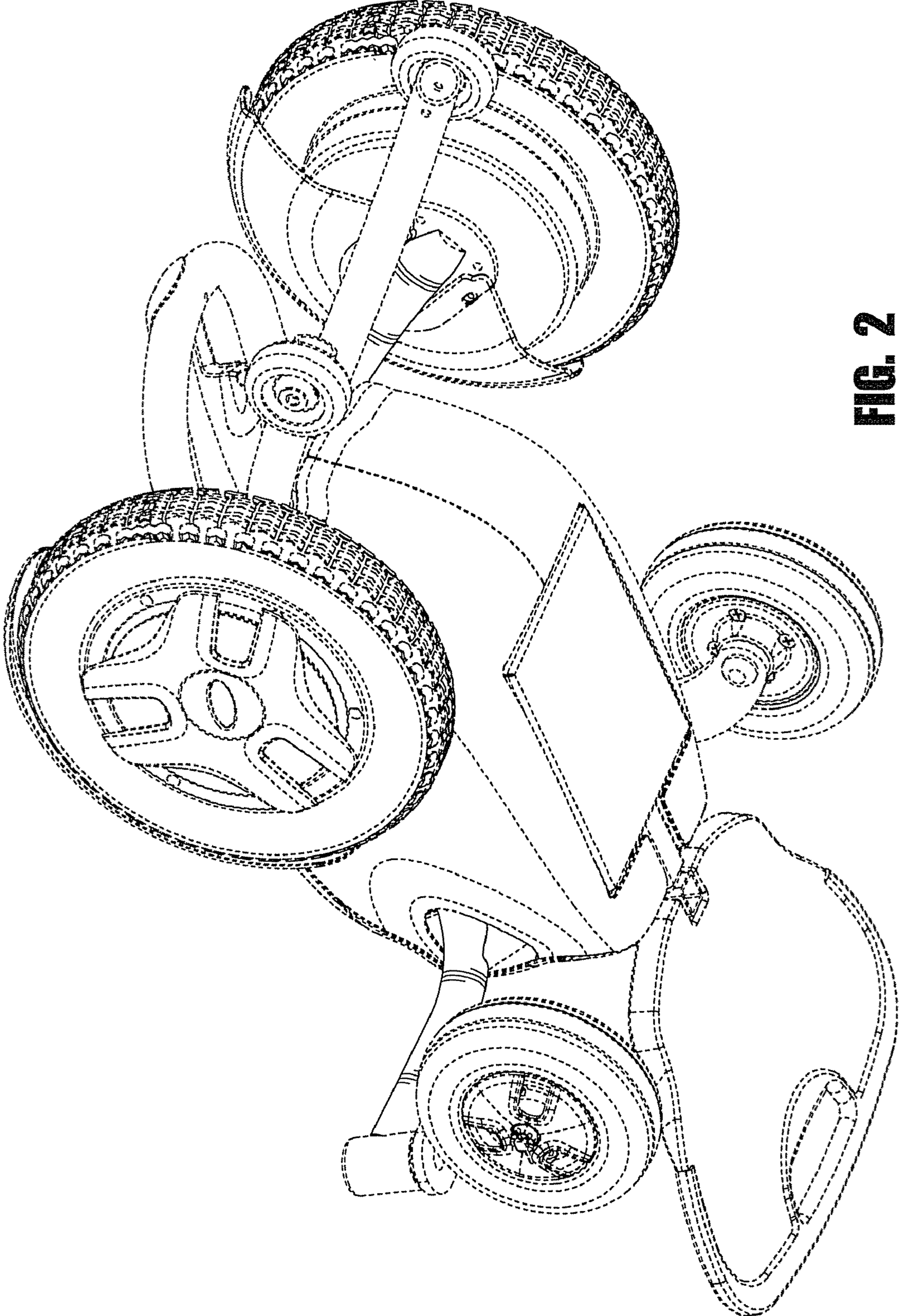


FIG. 2

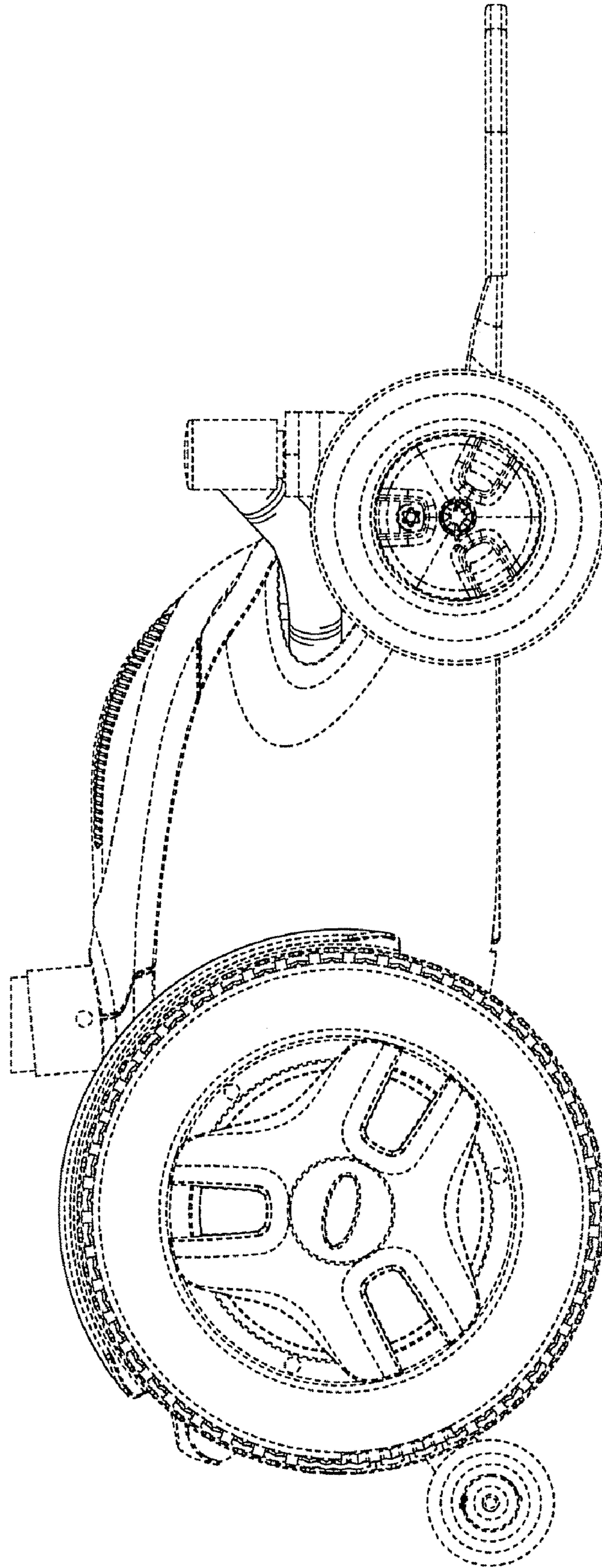


FIG. 3

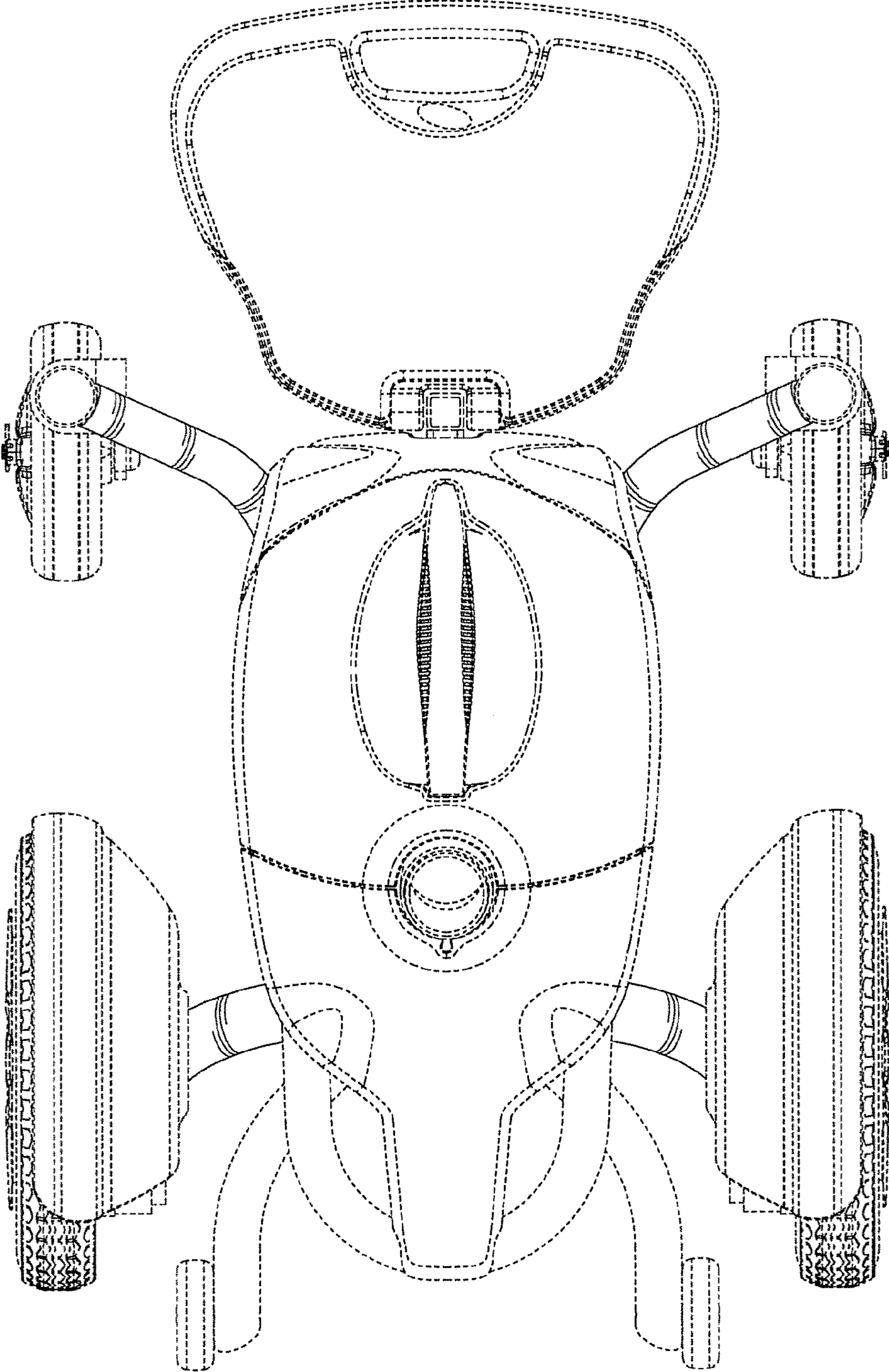


FIG. 4

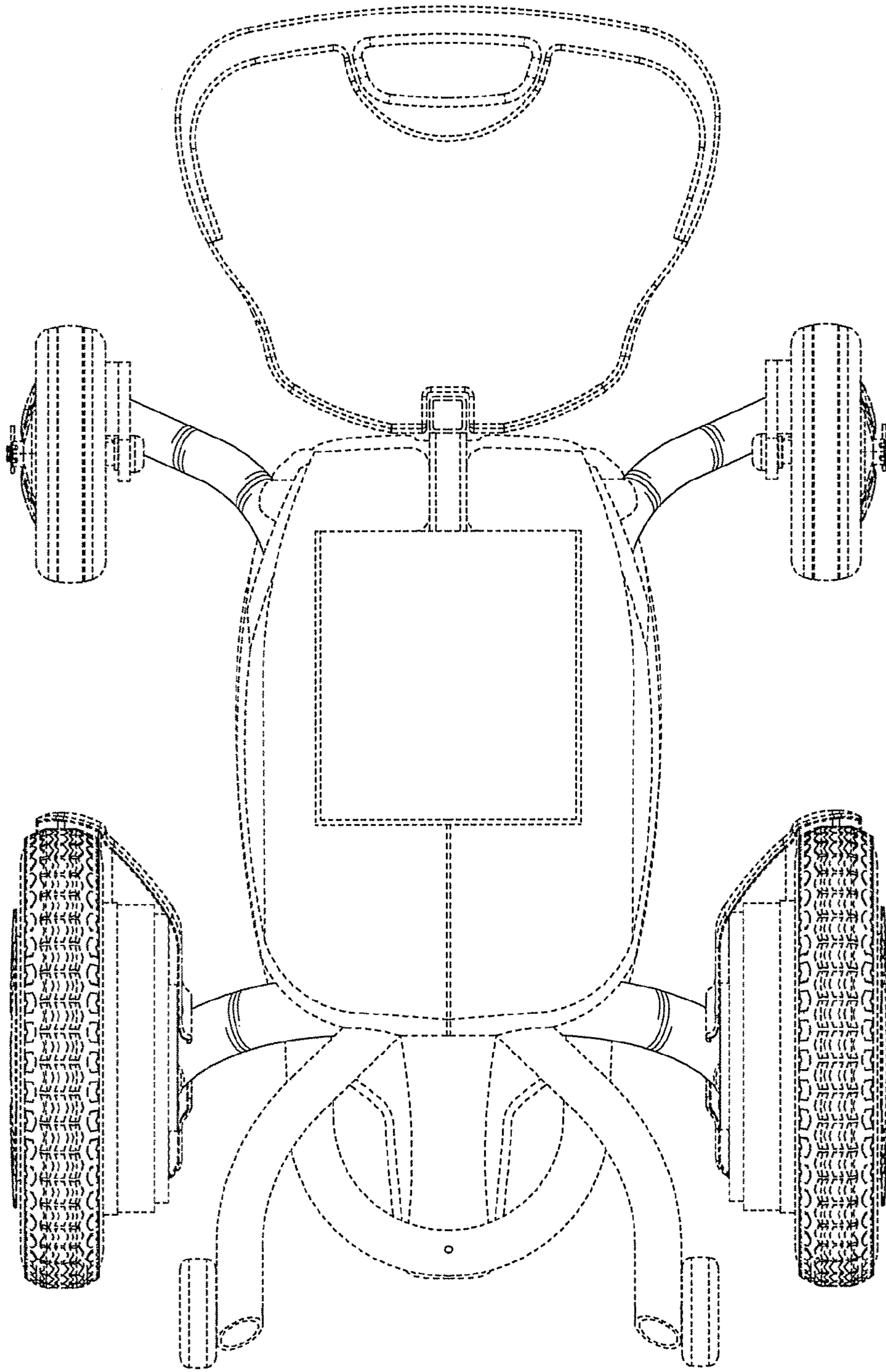


FIG. 5

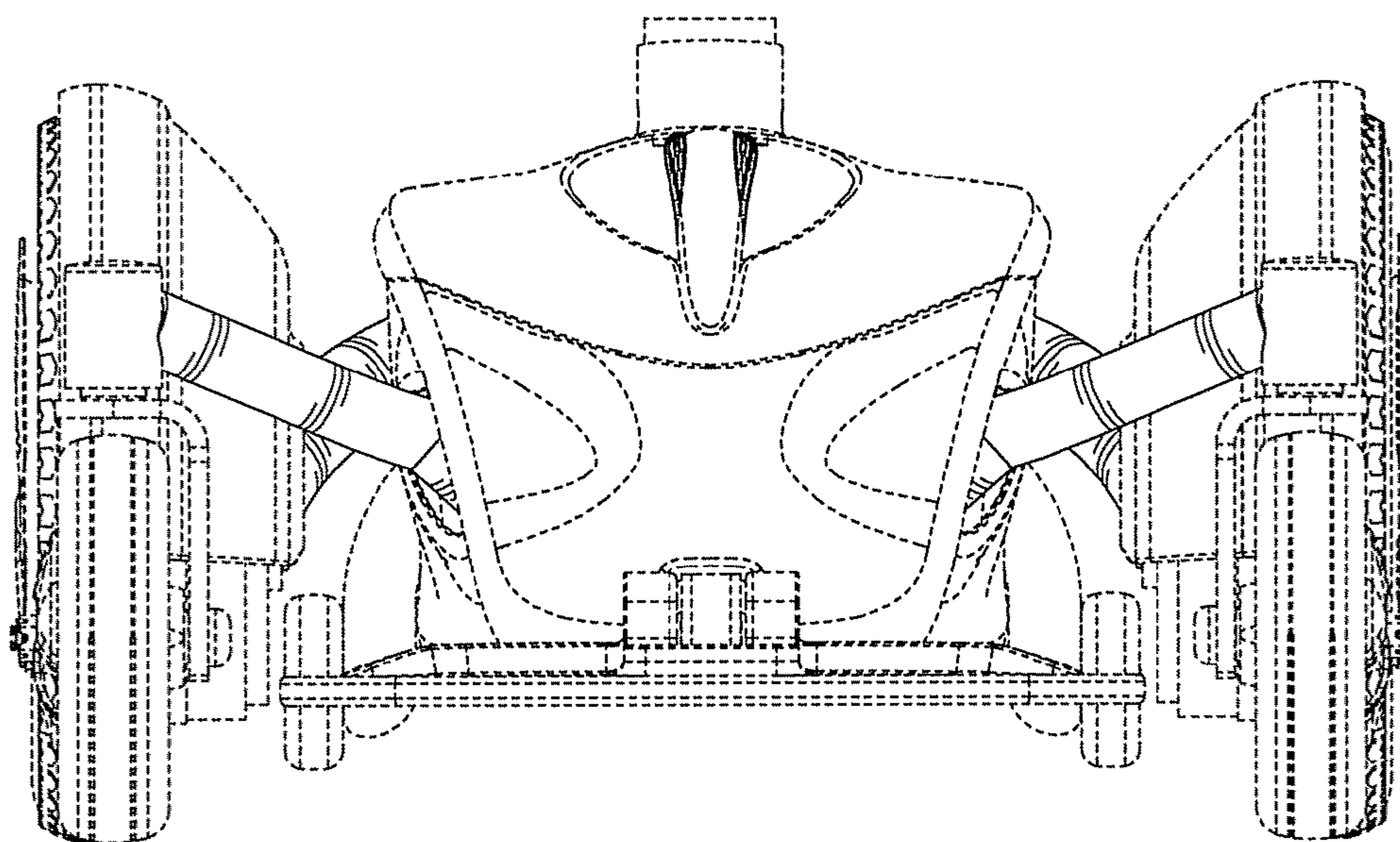


FIG. 6

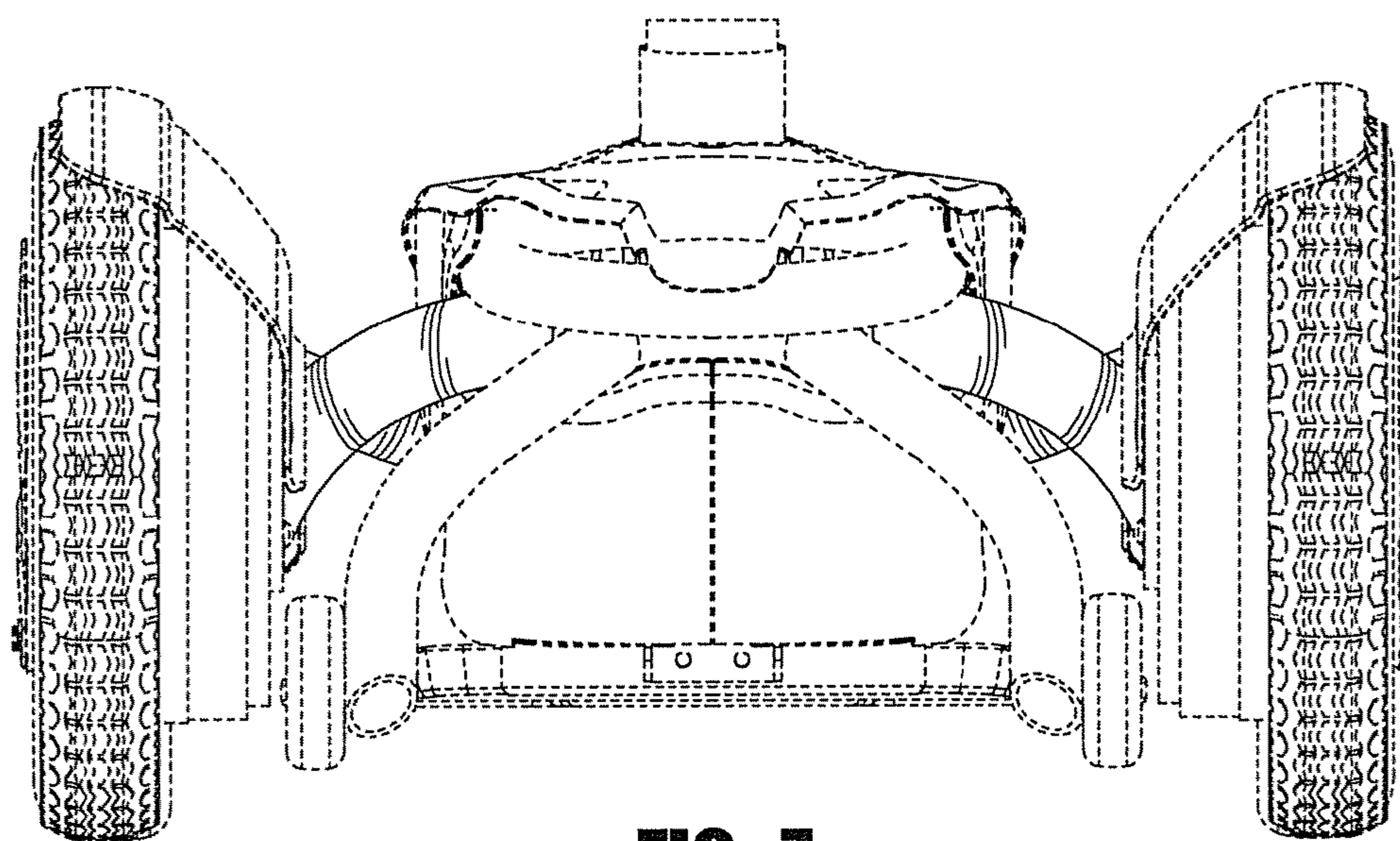


FIG. 7