



US00D642498S

(12) **United States Design Patent**  
**Yu**

(10) **Patent No.:** **US D642,498 S**

(45) **Date of Patent:** **\*\* Aug. 2, 2011**

(54) **BICYCLE BODY**

(75) Inventor: **Pi-Hua Yu**, Lugang Township (TW)

(73) Assignee: **Chainin Technology Co., Ltd.**, Lugang Township, Changhua County (TW)

(\*\*) Term: **14 Years**

(21) Appl. No.: **29/379,157**

(22) Filed: **Nov. 15, 2010**

(51) **LOC (9) Cl.** ..... **12-11**

(52) **U.S. Cl.** ..... **D12/111; D12/107**

(58) **Field of Classification Search** ..... D12/112,  
D12/107, 111, 117, 119; D21/435, 538;  
280/282, 274-280, 281.1, 283-288, 267-269;  
180/210

See application file for complete search history.

(56) **References Cited**

**U.S. PATENT DOCUMENTS**

4,417,743	A *	11/1983	Garel	.....	280/266
4,523,770	A *	6/1985	Lee	.....	280/266
D283,883	S *	5/1986	Chen et al.	.....	D12/107
D483,821	S *	12/2003	Yang	.....	D21/662
D486,760	S *	2/2004	Devinast	.....	D12/112
D559,154	S *	1/2008	Ho	.....	D12/107
7,731,213	B2 *	6/2010	Saville	.....	280/269
2006/0097476	A1 *	5/2006	Kobayashi	.....	280/287
2008/0169625	A1 *	7/2008	Tang	.....	280/282

\* cited by examiner

*Primary Examiner* — Susan M Lee  
*Assistant Examiner* — Linda Brooks

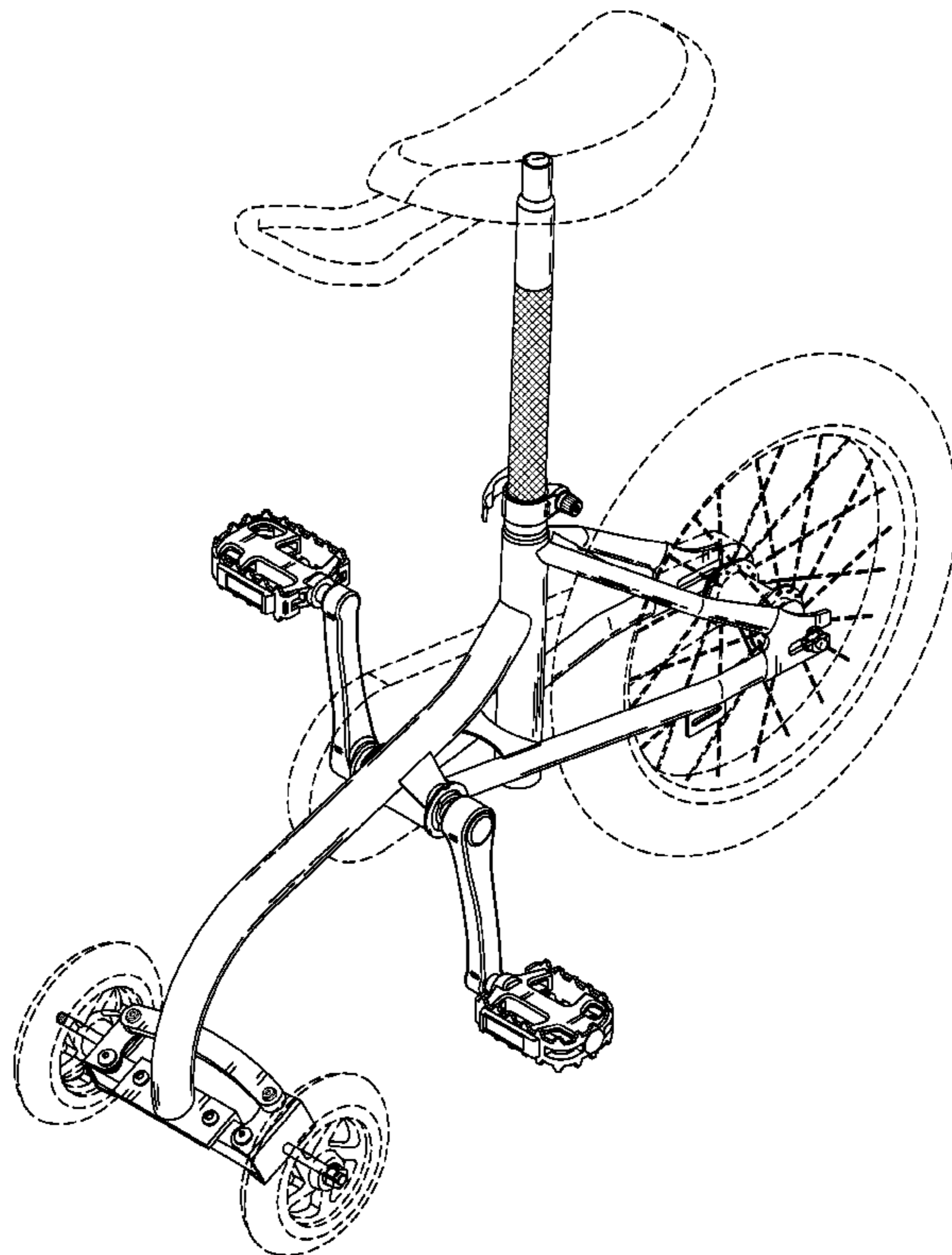
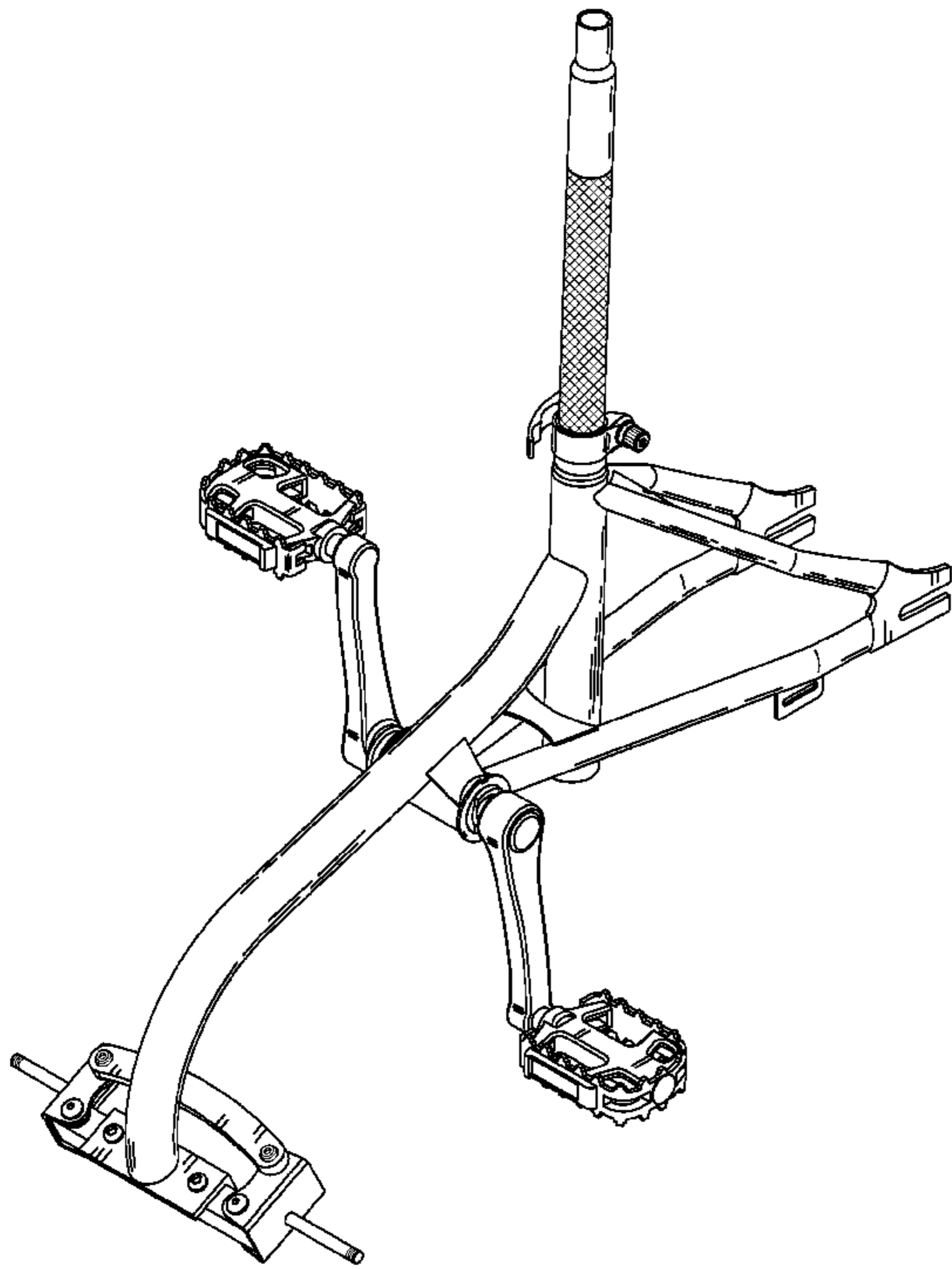
(57) **CLAIM**

The ornamental design for a bicycle body, as shown and described.

**DESCRIPTION**

FIG. 1 is a perspective view of a bicycle body showing my new design;  
FIG. 2 is a front view of the embodiment shown in FIG. 1;  
FIG. 3 is a rear view of the embodiment shown in FIG. 1;  
FIG. 4 is a left side view of the embodiment shown in FIG. 1;  
FIG. 5 is a right side view of the embodiment shown in FIG. 1;  
FIG. 6 is a top view of the embodiment shown in FIG. 1;  
FIG. 7 is a bottom view of the embodiment shown in FIG. 1;  
FIG. 8 is a perspective view of the bicycle body shown in a position of use; and,  
FIG. 9 is another perspective view of the bicycle body shown in a position of use.  
The broken lines showing other portions of a bicycle in FIGS. 8 and 9 illustrate alternative environmental structure and form no part of the claimed design.

**1 Claim, 9 Drawing Sheets**



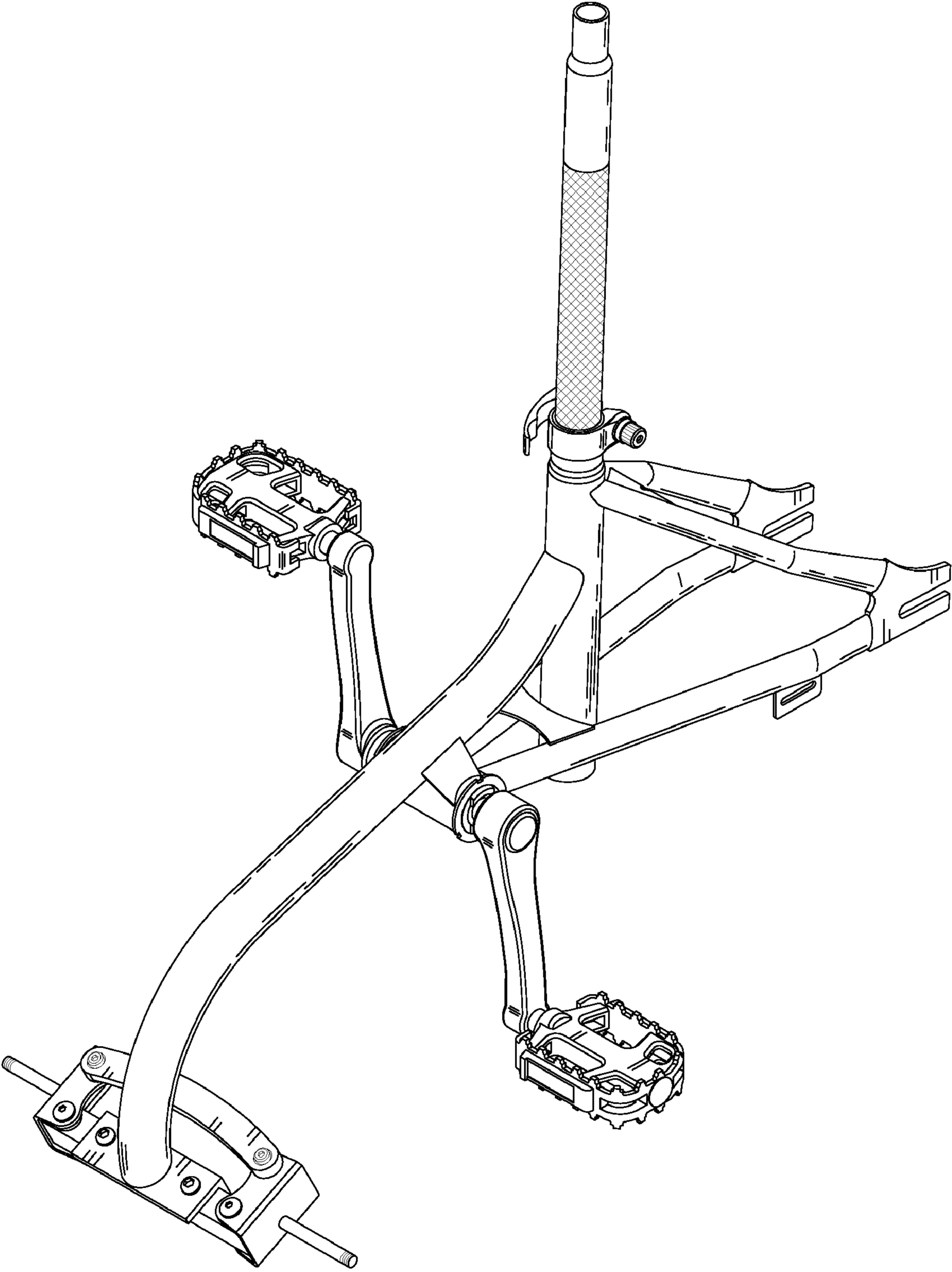


FIG. 1

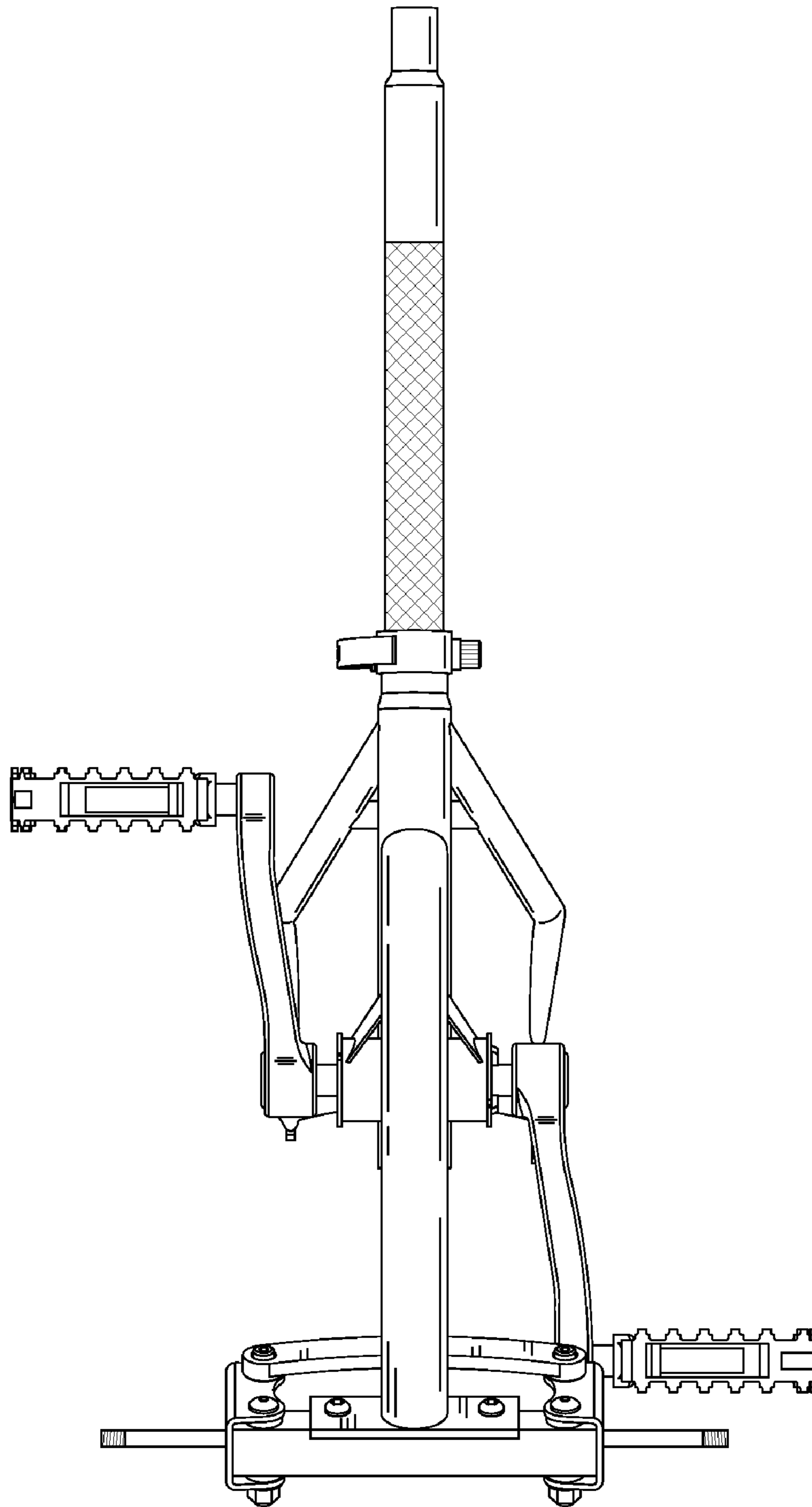


FIG. 2

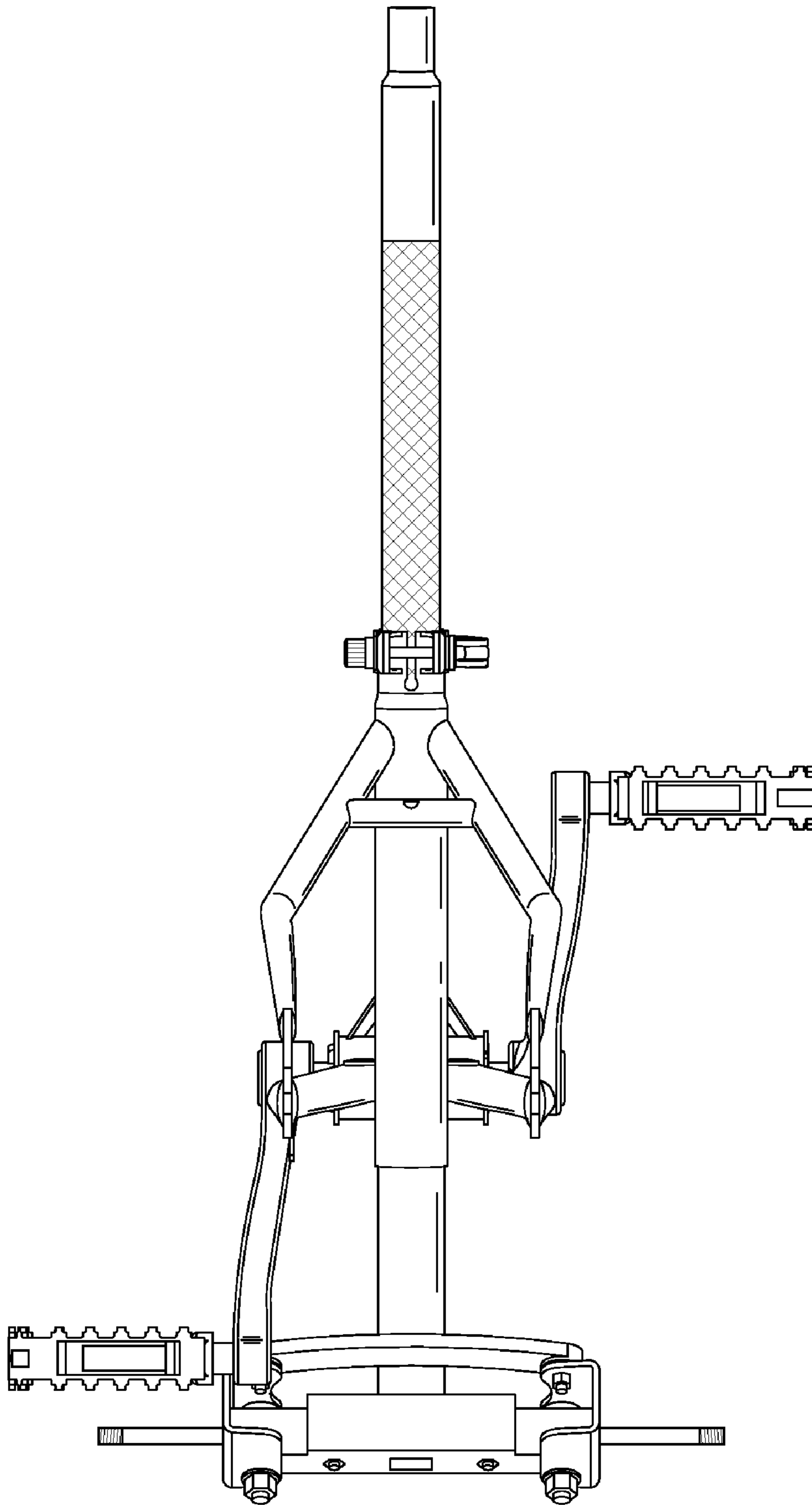


FIG. 3

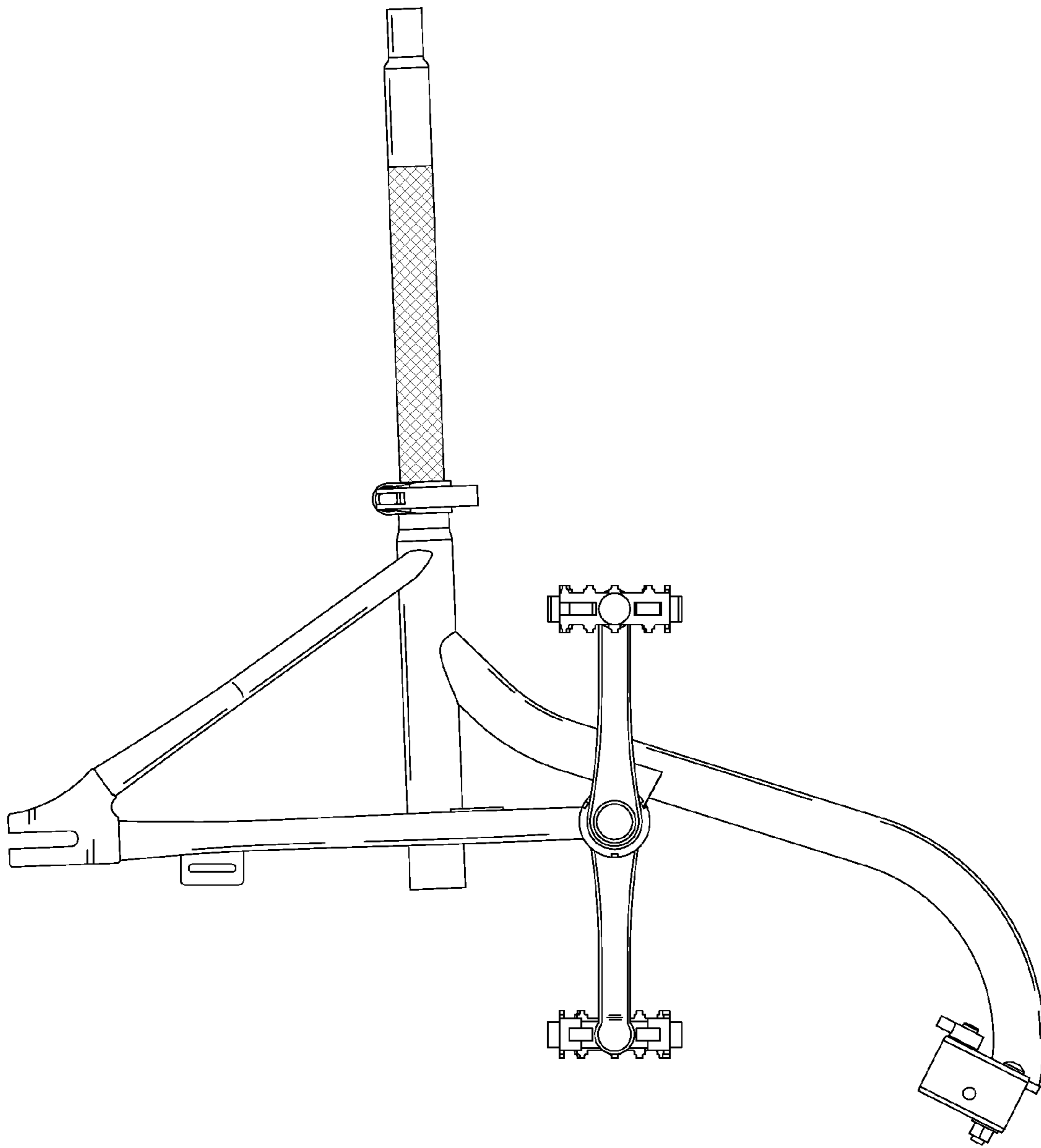


FIG. 4

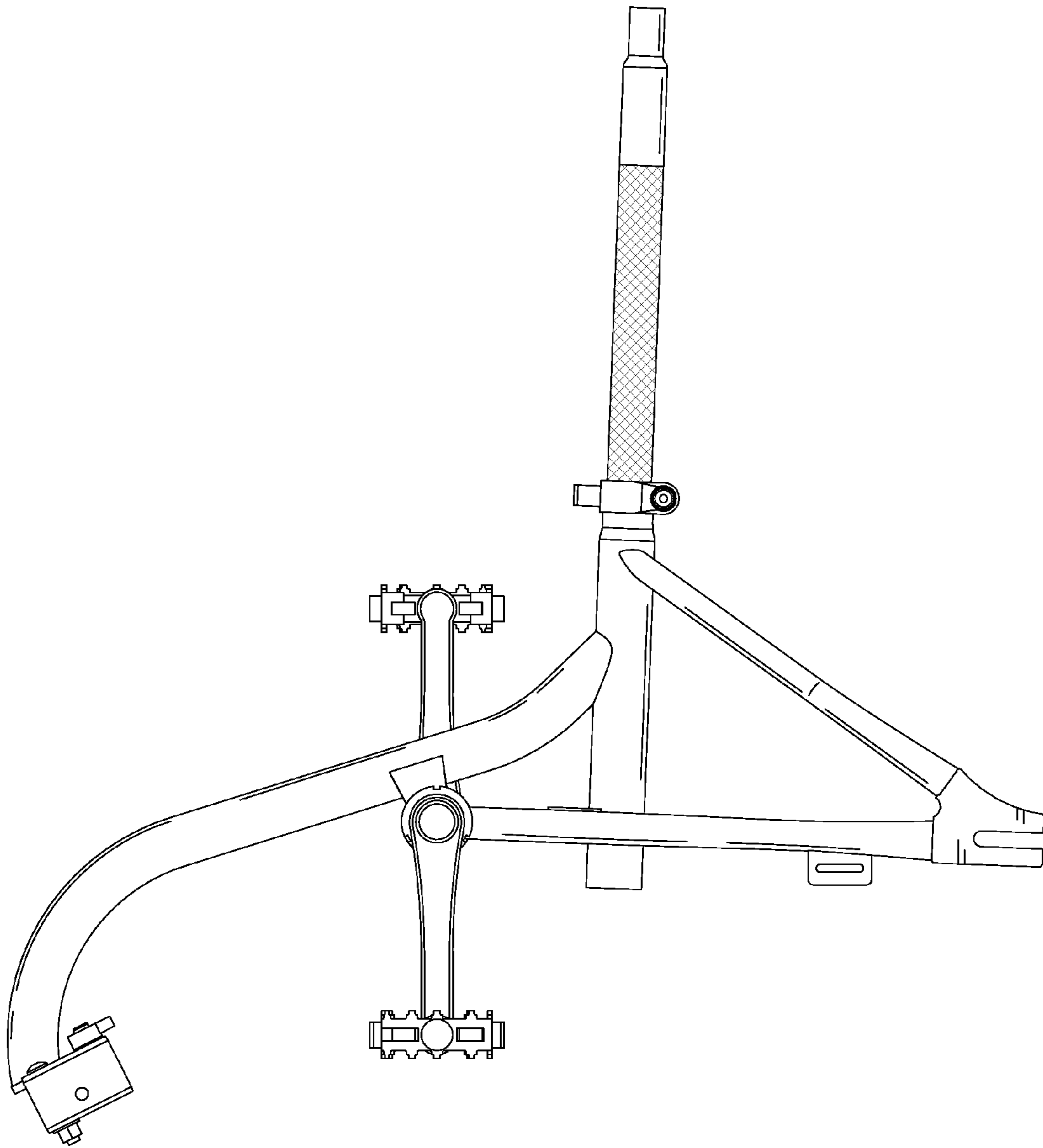


FIG. 5

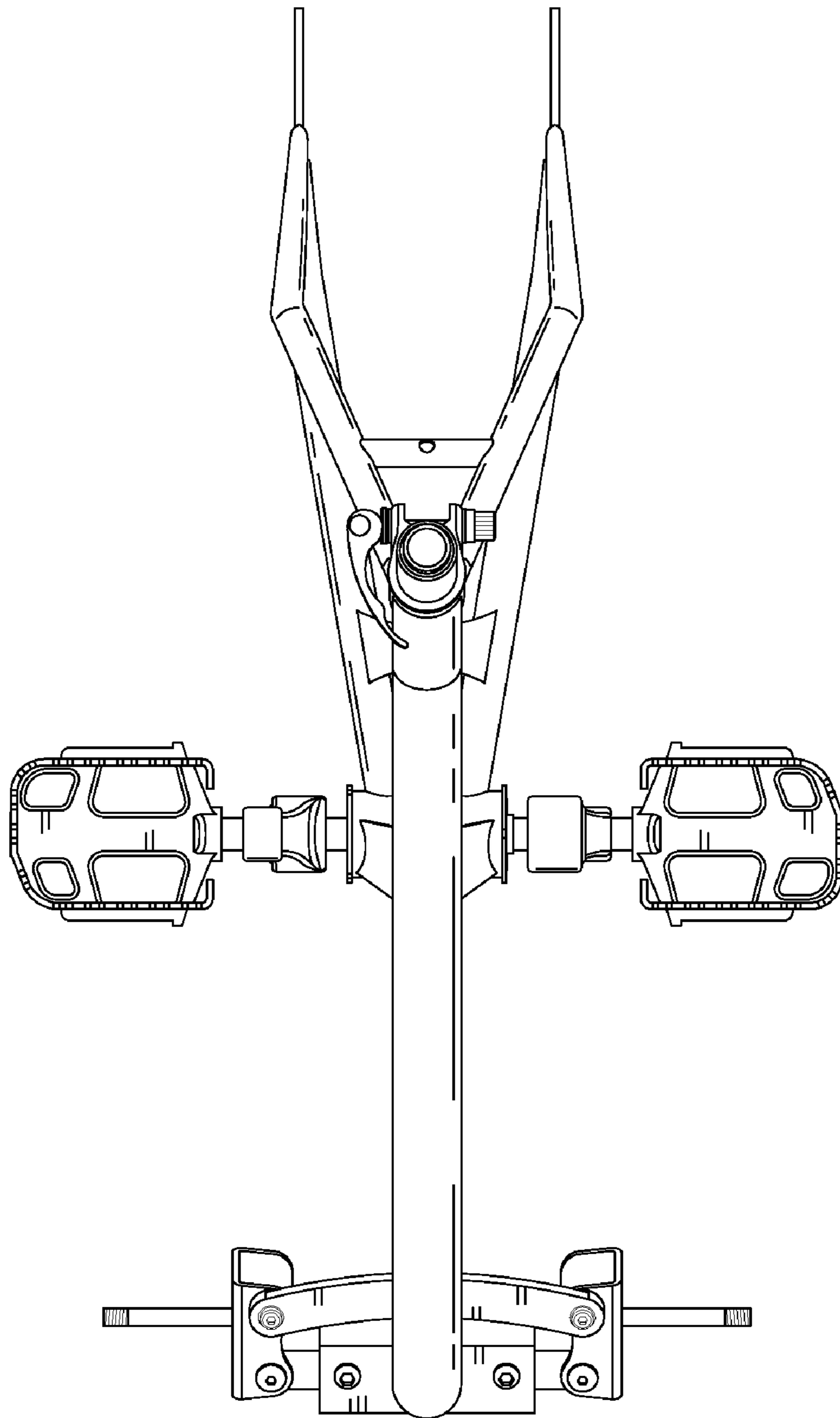


FIG. 6

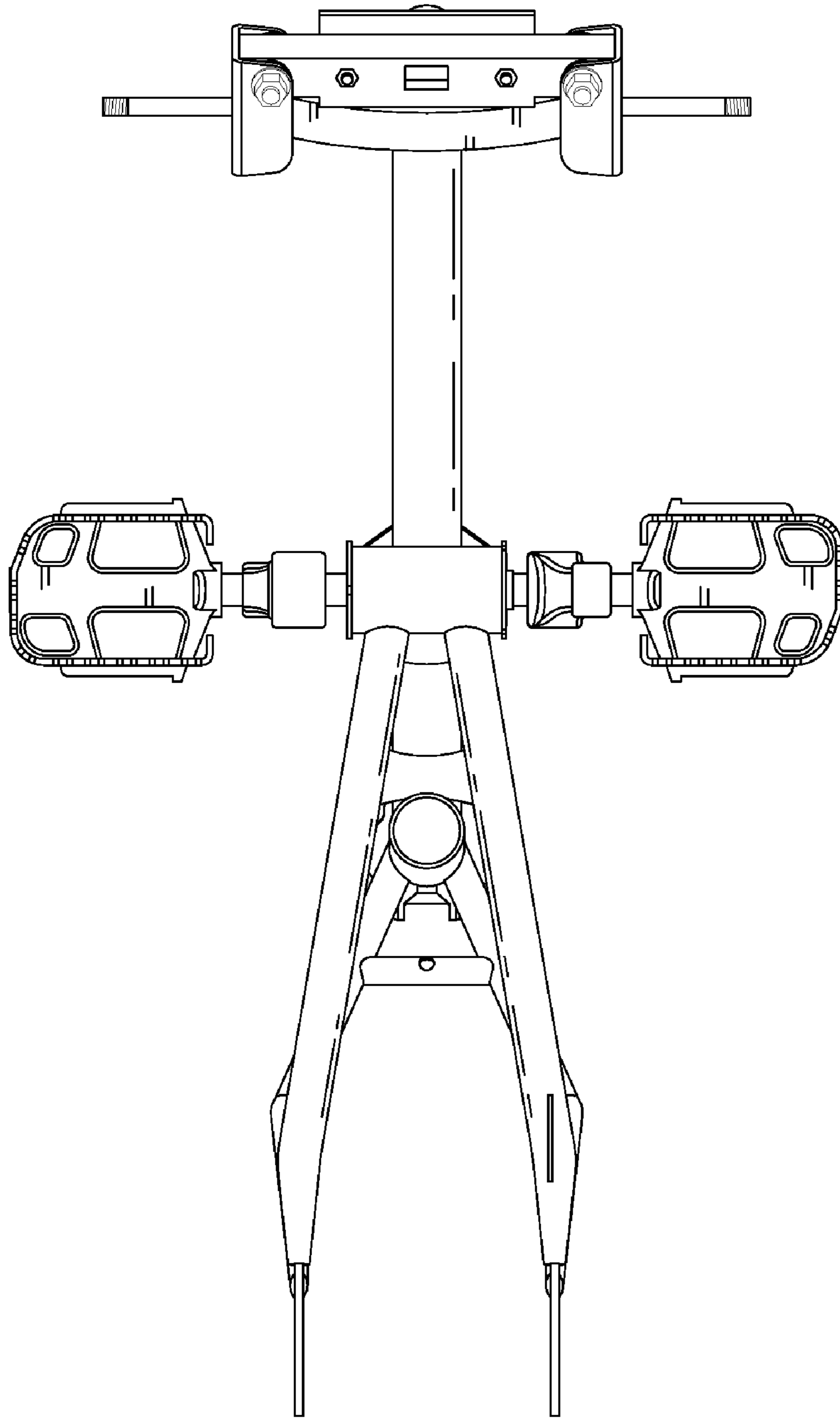


FIG. 7



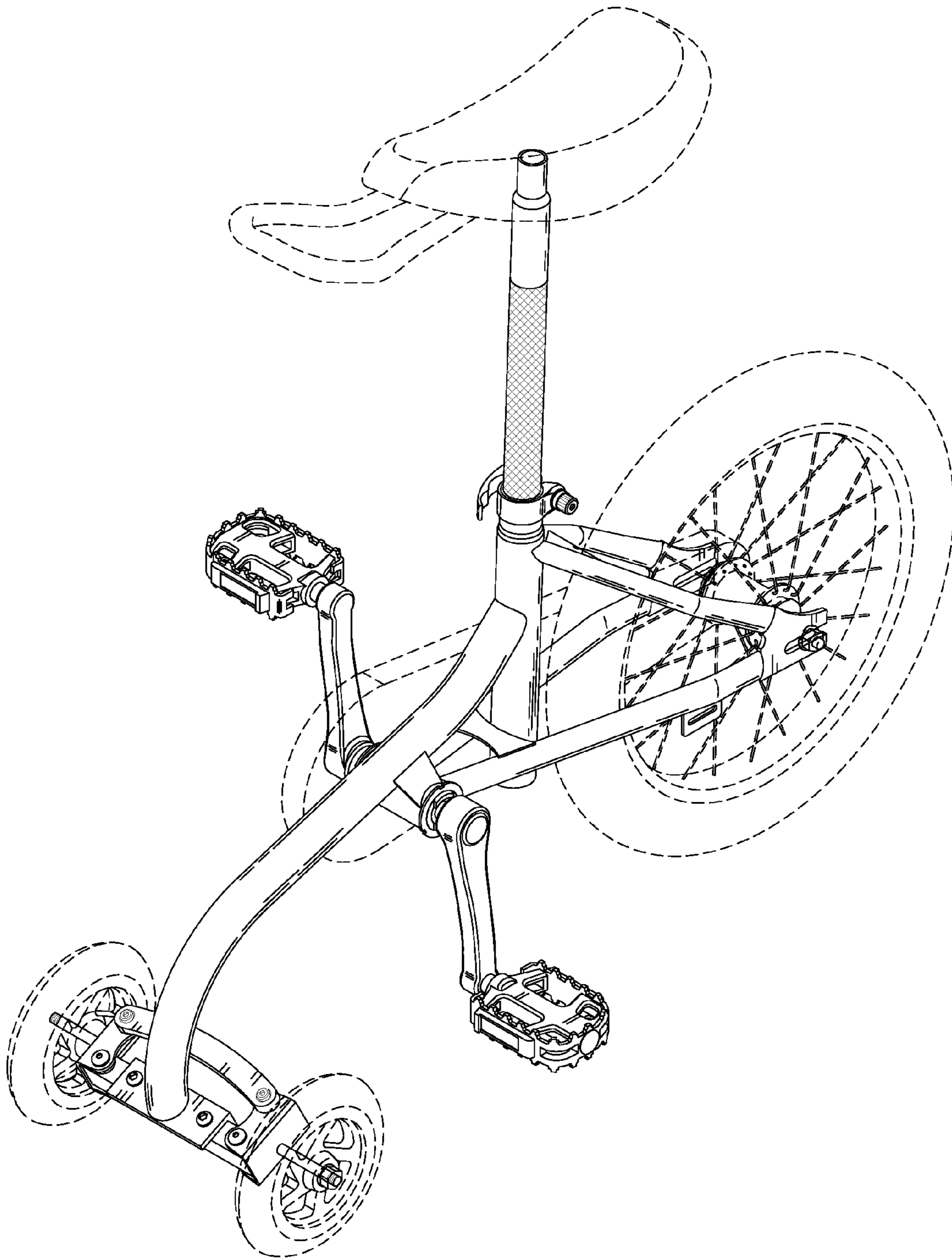


FIG. 8

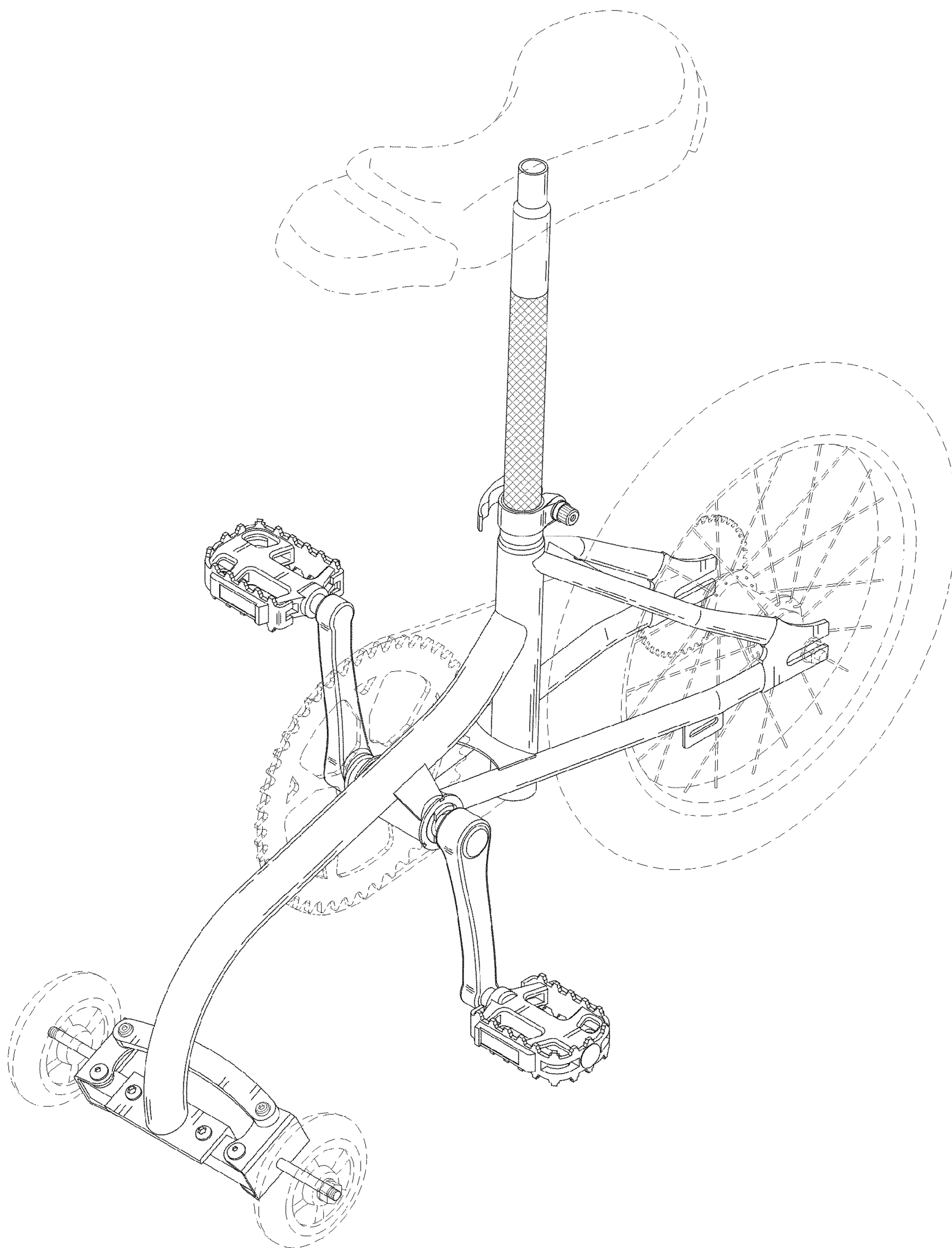


FIG. 9