



US00D642497S

(12) **United States Design Patent**  
**Lin**

(10) **Patent No.:** **US D642,497 S**

(45) **Date of Patent:** **\*\* Aug. 2, 2011**

(54) **MOTORCYCLE**

(75) Inventor: **Sen-Yuan Lin**, Taichung (TW)

(73) Assignee: **Motive Power Industry Co., Ltd.**,  
Dacun Township, Changhua County  
(TW)

(\*\*) Term: **14 Years**

(21) Appl. No.: **29/375,435**

(22) Filed: **Sep. 22, 2010**

(51) **LOC (9) Cl.** ..... **12-11**

(52) **U.S. Cl.** ..... **D12/110**

(58) **Field of Classification Search** ..... D12/110;  
180/219, 220, 65.1-65.6, 65, 291, 230, 231,  
180/226-228, 292, 299, 65.7, 65.8, 65.21,  
180/65.22, 65.25, 65.26, 65.28, 65.29, 65.51,  
180/65.225

See application file for complete search history.

(56) **References Cited**

**U.S. PATENT DOCUMENTS**

D286,521	S *	11/1986	Tanaka et al.	.....	D12/110
D290,824	S *	7/1987	Miura et al.	.....	D12/110
6,276,481	B1 *	8/2001	Matsuto et al.	.....	180/220
D529,415	S *	10/2006	Shimada et al.	.....	D12/110
7,255,188	B2 *	8/2007	Tsukada et al.	.....	180/65.51

7,392,870	B2 *	7/2008	Kojima et al.	.....	180/65.25
7,431,112	B2 *	10/2008	Masuda et al.	.....	180/65.21
7,527,111	B2 *	5/2009	Katsuhiro et al.	.....	180/65.225
D602,813	S *	10/2009	Chao et al.	.....	D12/110
D617,686	S *	6/2010	Lin	.....	D12/110

\* cited by examiner

*Primary Examiner* — Susan M Lee

*Assistant Examiner* — Linda Brooks

(74) *Attorney, Agent, or Firm* — Muncy, Geissler, Olds & Lowe, PLLC

(57) **CLAIM**

The ornamental design for a motorcycle, as shown and described.

**DESCRIPTION**

FIG. 1 is a perspective view of a motorcycle showing my new design;

FIG. 2 is a front elevation thereof;

FIG. 3 is a rear elevation thereof;

FIG. 4 is a left side elevation thereof;

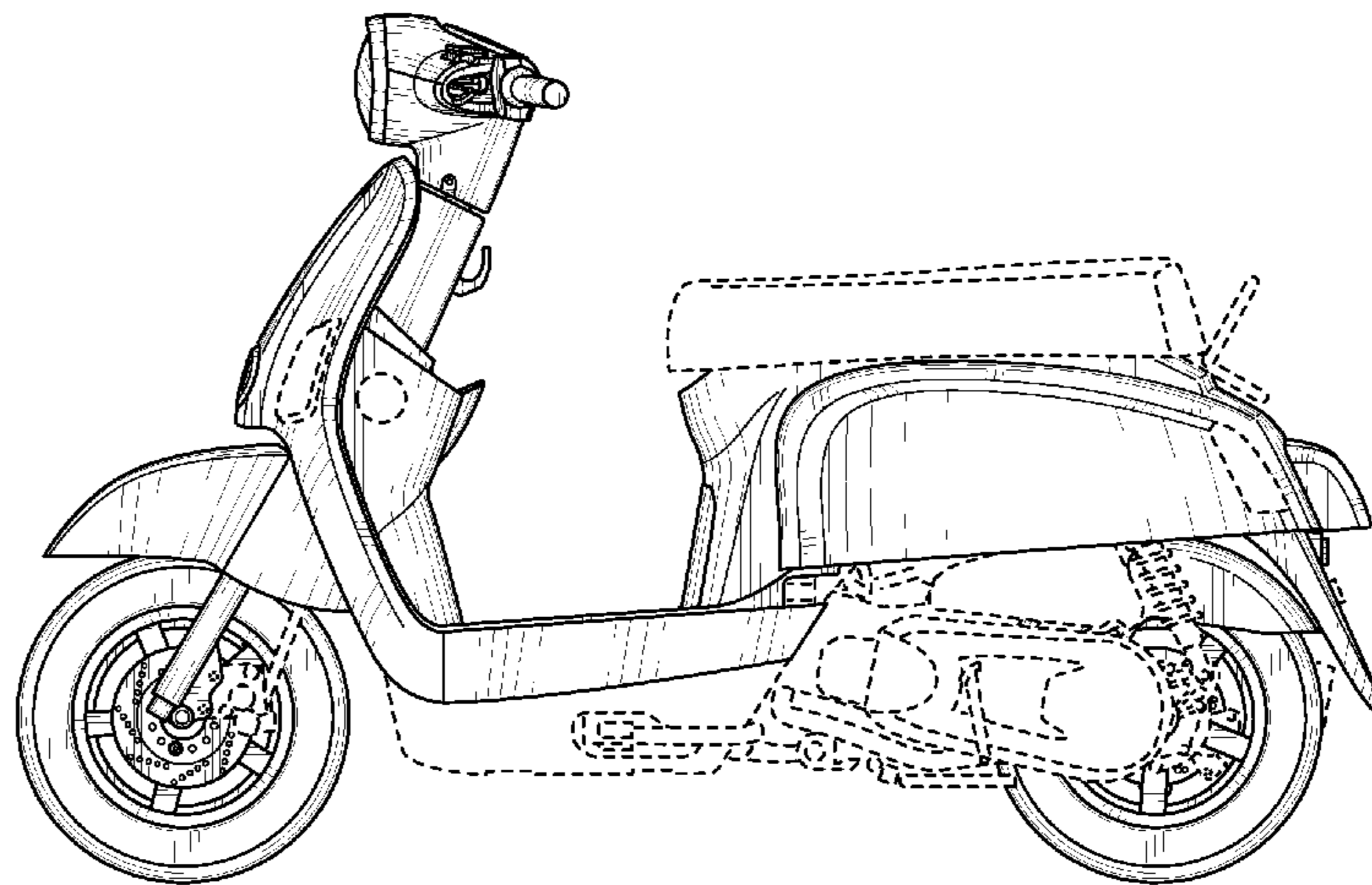
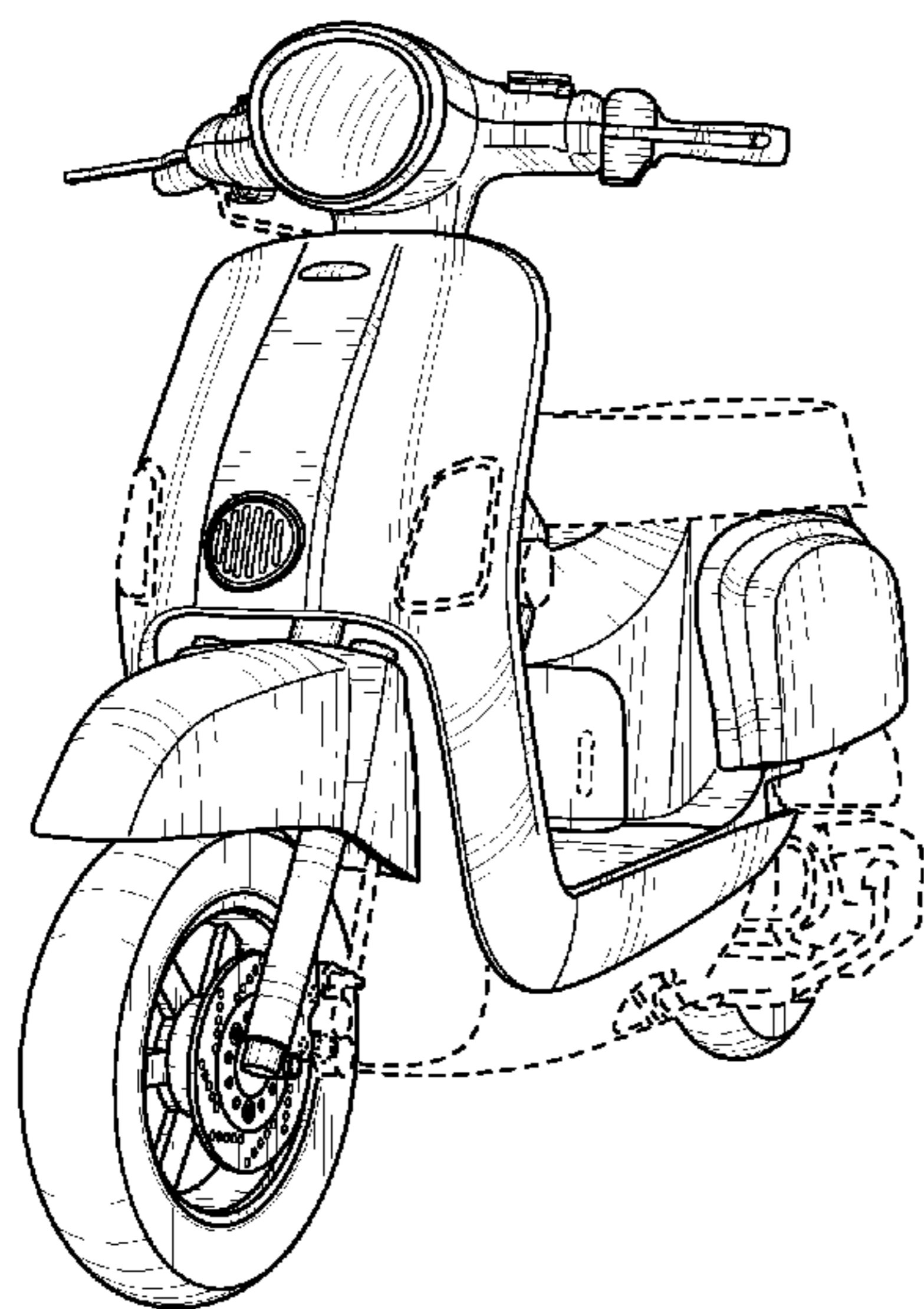
FIG. 5 is a right side elevation thereof;

FIG. 6 is a top plan view thereof; and,

FIG. 7 is a bottom plan view thereof.

The broken lines illustrate portions of the motorcycle that form no part of the claimed design.

**1 Claim, 5 Drawing Sheets**



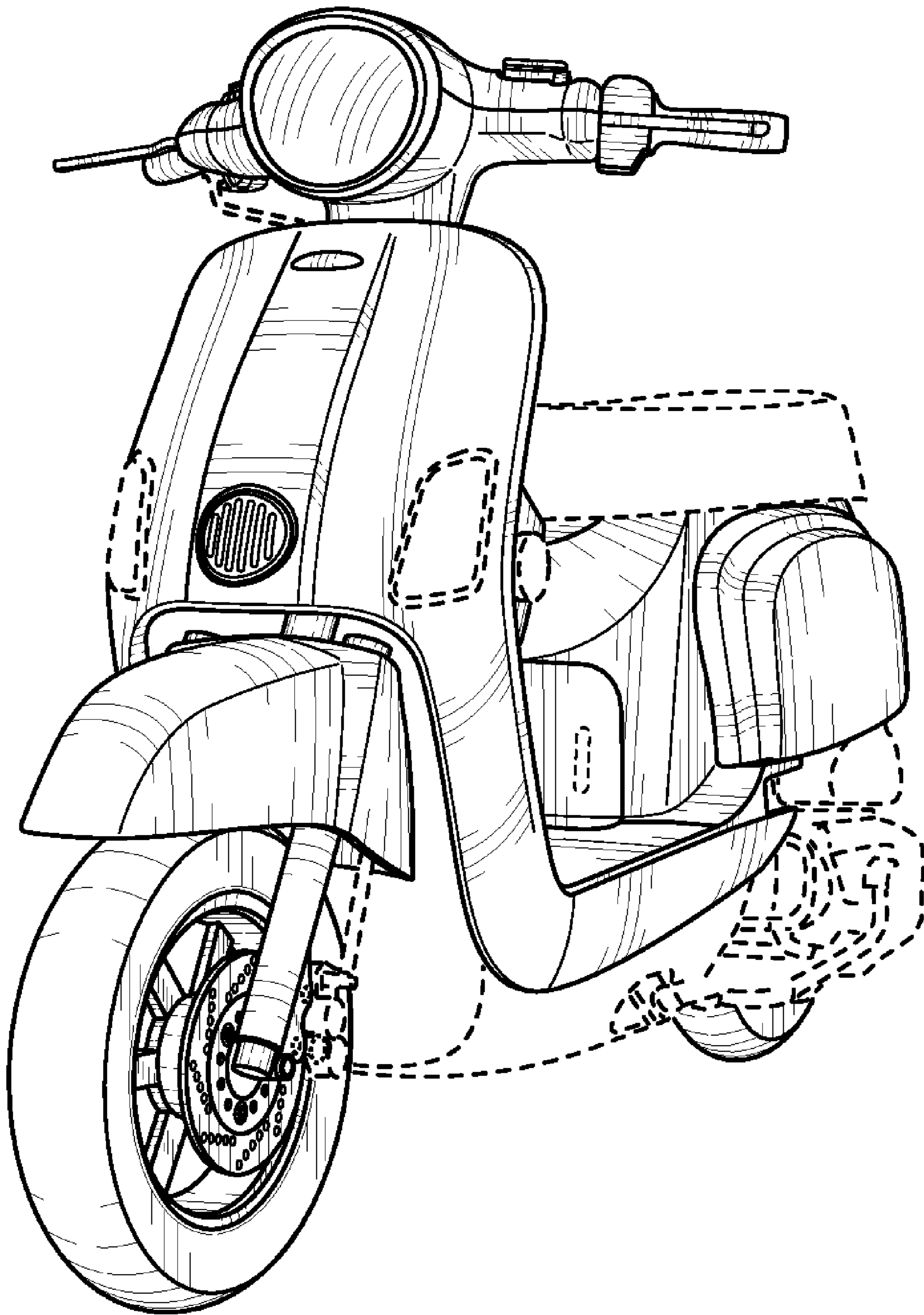


FIG. 1

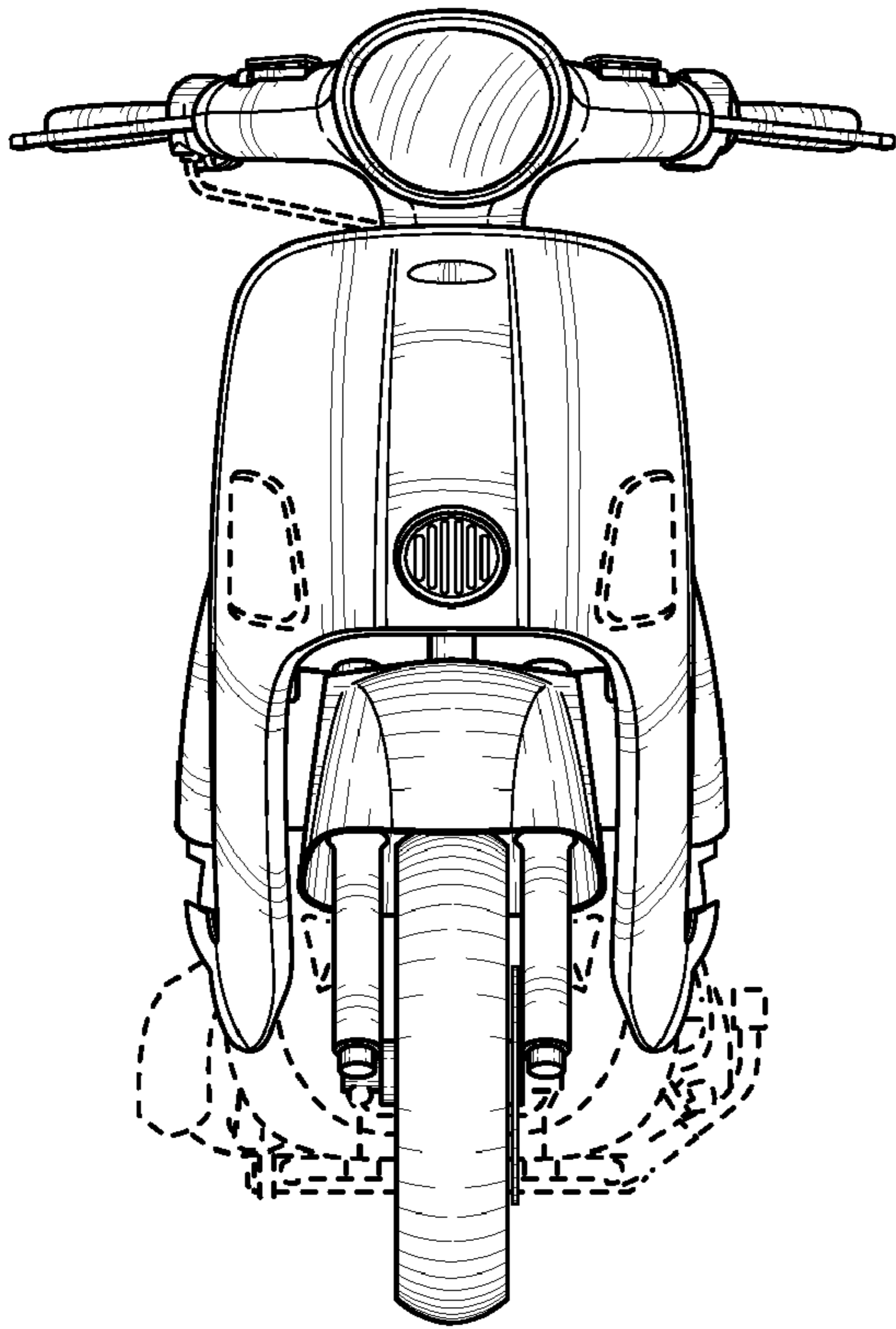


FIG. 2

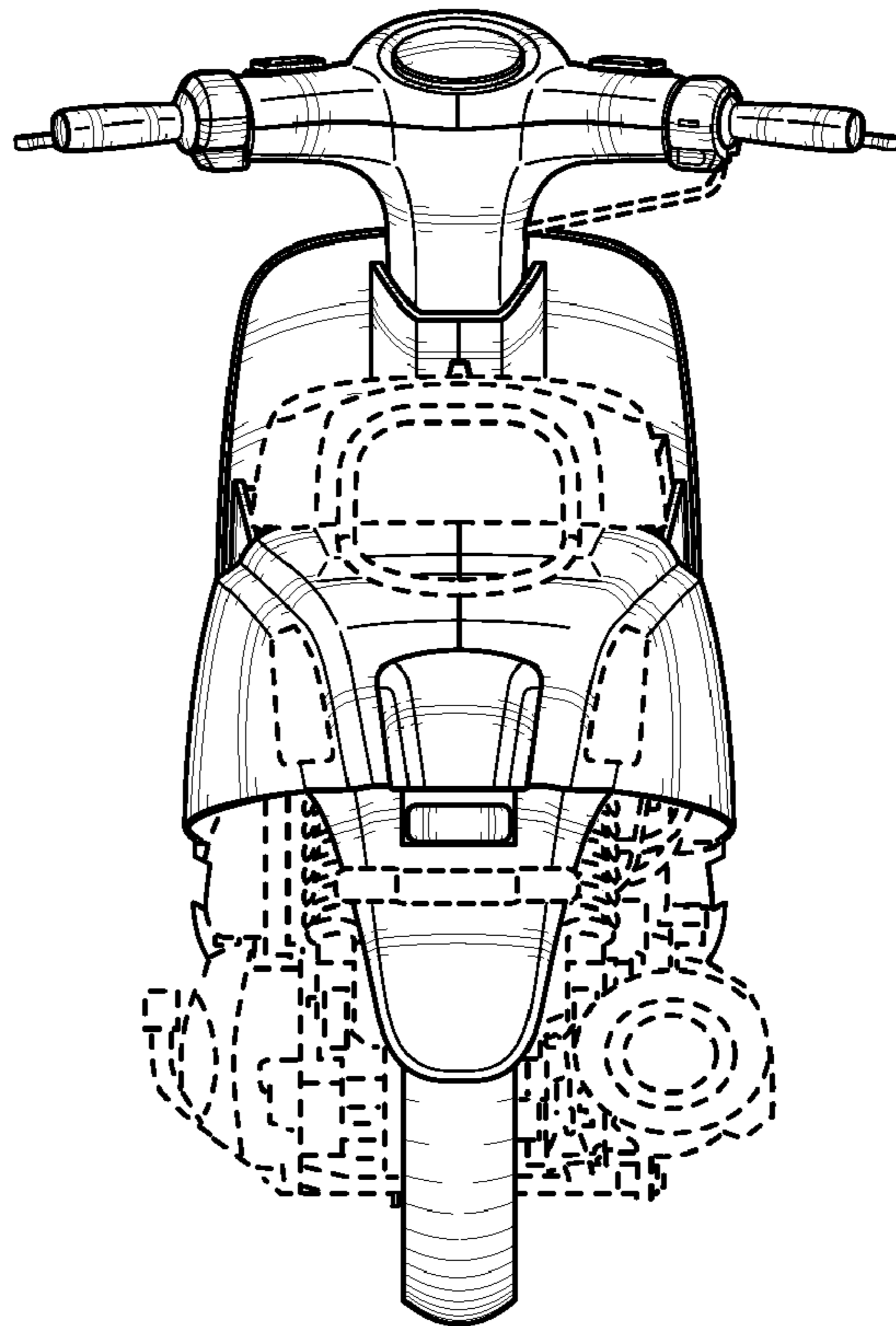


FIG. 3



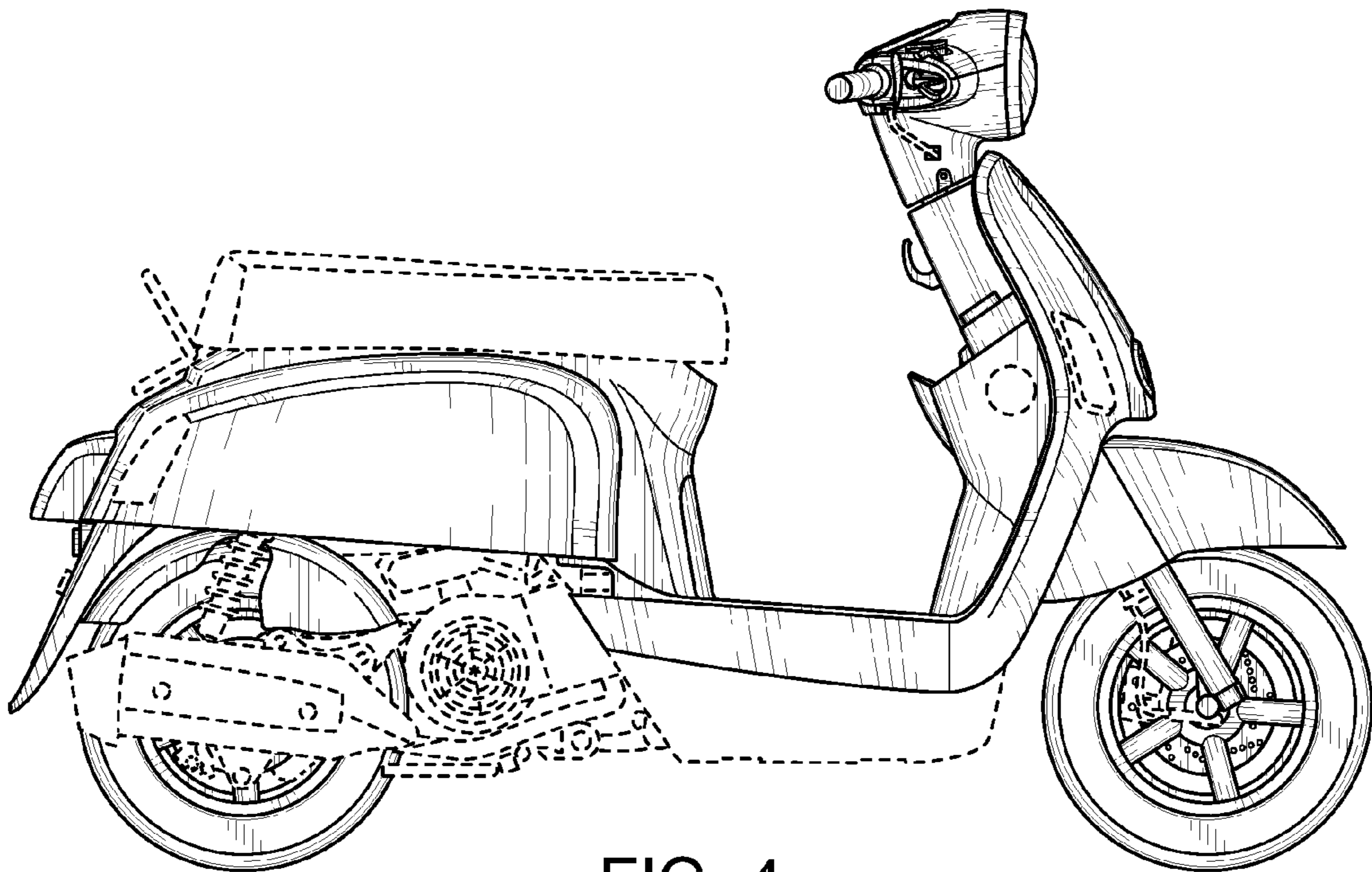


FIG. 4

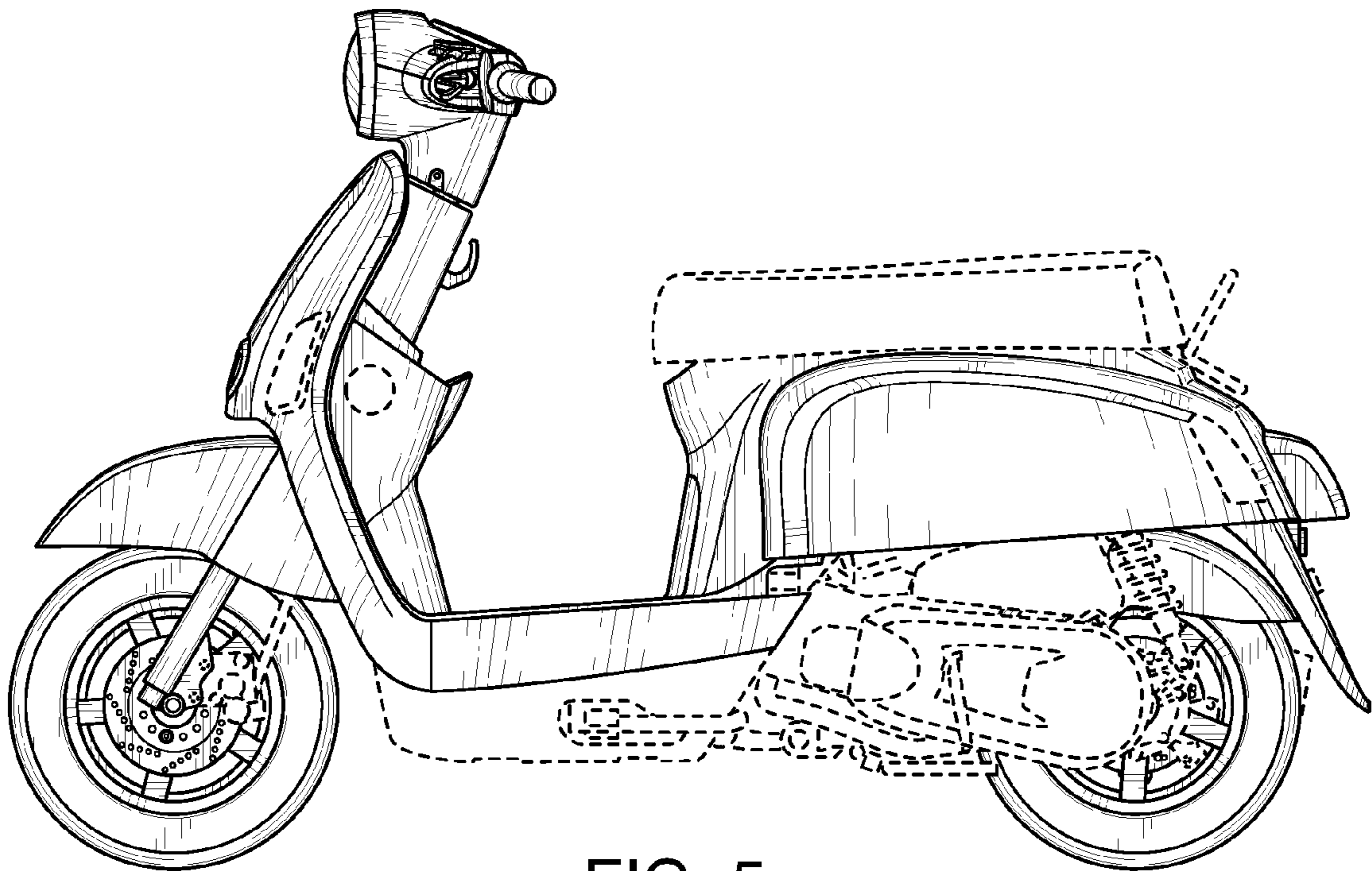


FIG. 5

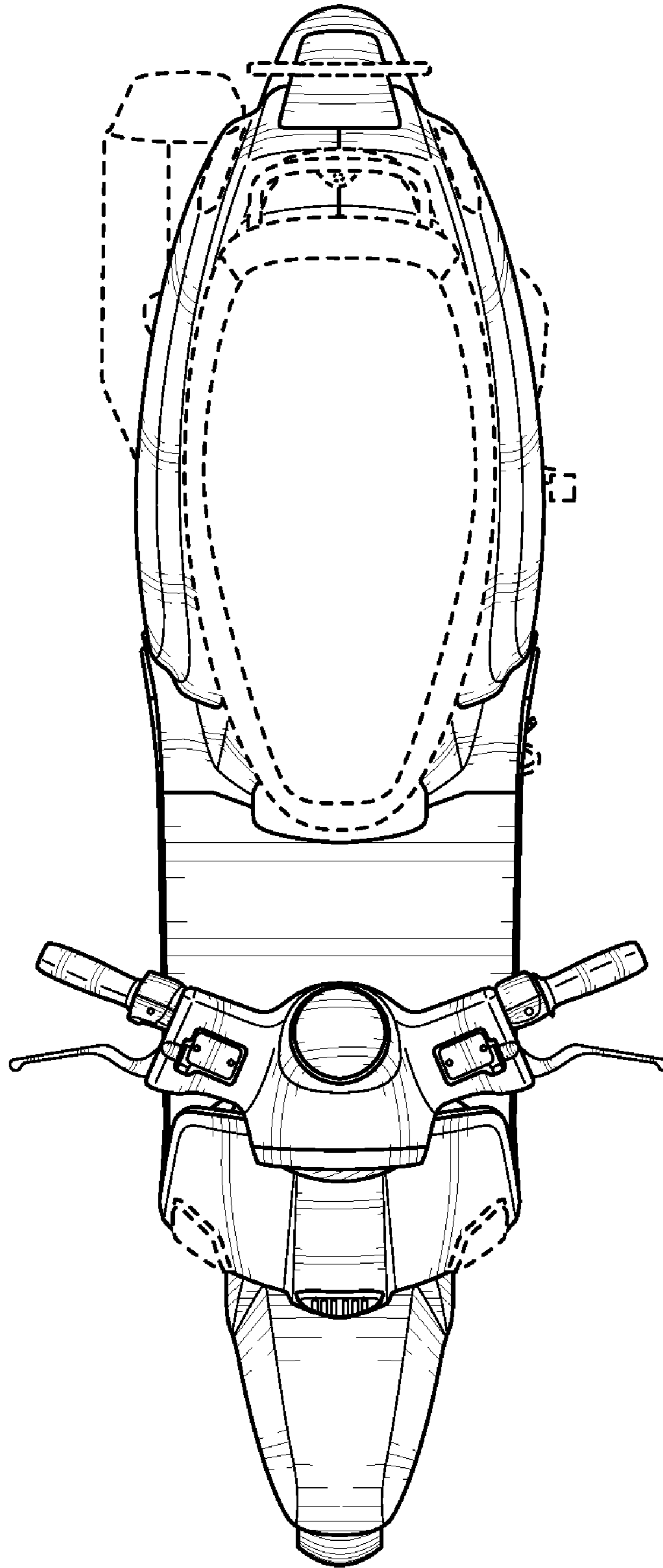


FIG. 6

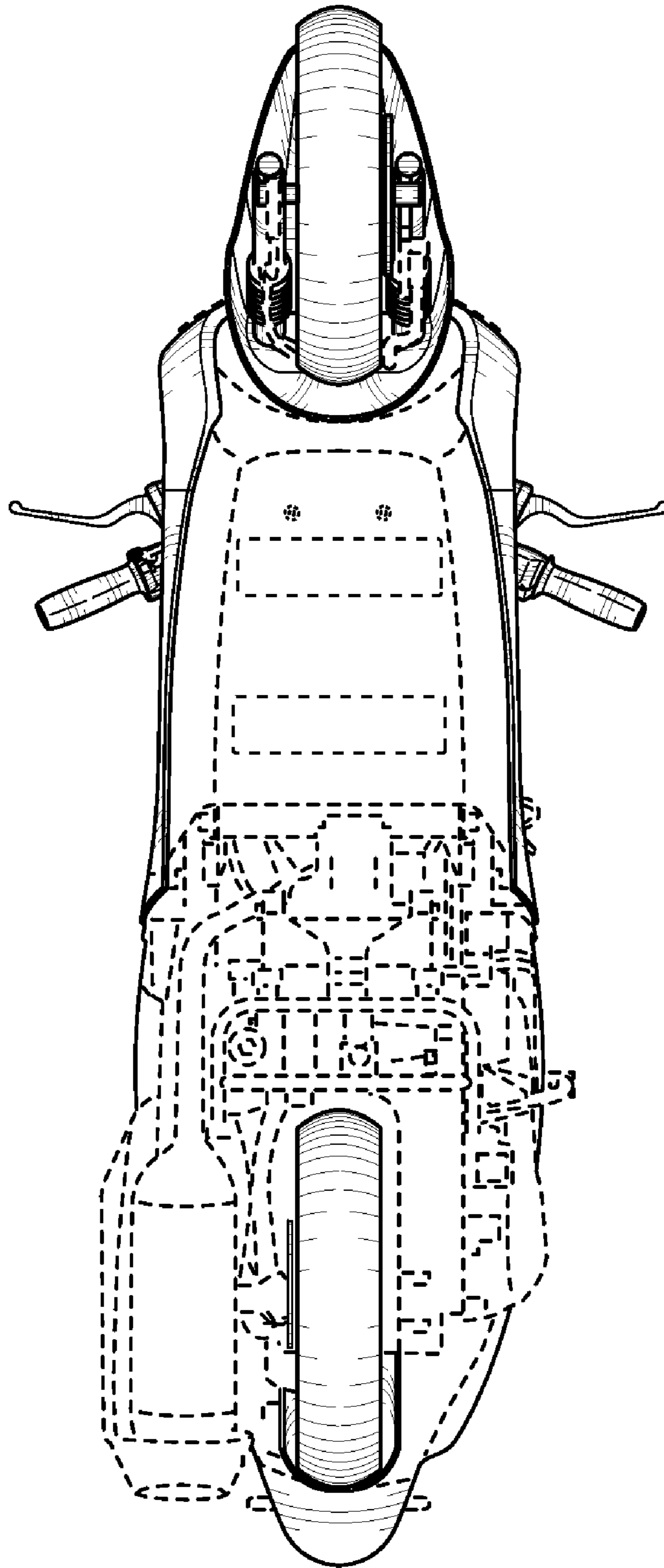


FIG. 7