



US00D642495S

(12) **United States Design Patent**
Karacabey et al.

(10) **Patent No.:** **US D642,495 S**

(45) **Date of Patent:** **** Aug. 2, 2011**

(54) **CAR**

(75) Inventors: **Gokay Karacabey**, Kocaeli (TR);
Ahmet Cagri Selcuklu, Kocaeli (TR);
Emre Ozbilgin, Kocaeli (TR)

(73) Assignee: **Heksagon Muhendislik Ve Tasarim**
Anonim Sirketi, Istanbul (TR)

(**) Term: **14 Years**

(21) Appl. No.: **29/380,223**

(22) Filed: **Dec. 1, 2010**

(30) **Foreign Application Priority Data**

Jul. 27, 2010 (TR) 2010/04125

(51) **LOC (9) Cl.** **12-08**

(52) **U.S. Cl.** **D12/91**

(58) **Field of Classification Search** D12/86,
D12/90-92, 88; D21/424, 433, 434; 296/181.1,
296/181.5

See application file for complete search history.

(56) **References Cited**

U.S. PATENT DOCUMENTS

D591,202 S * 4/2009 Ohhashi et al. D12/91
D622,185 S * 8/2010 Uchiyama et al. D12/91
D633,009 S * 2/2011 Matei et al. D12/91
D633,823 S * 3/2011 Matei et al. D12/91

* cited by examiner

Primary Examiner — Melody N Brown

(74) *Attorney, Agent, or Firm* — Intellectual Property Law
Group LLP; Juneko Jackson

(57) **CLAIM**

The ornamental design for a car, as shown and described.

DESCRIPTION

FIG. 1 is a front, right side perspective view of a car embody-
ing my new design;

FIG. 2 is a front, left side perspective view thereof;

FIG. 3 is a rear, left side perspective view thereof;

FIG. 4 is a rear, right side perspective view thereof;

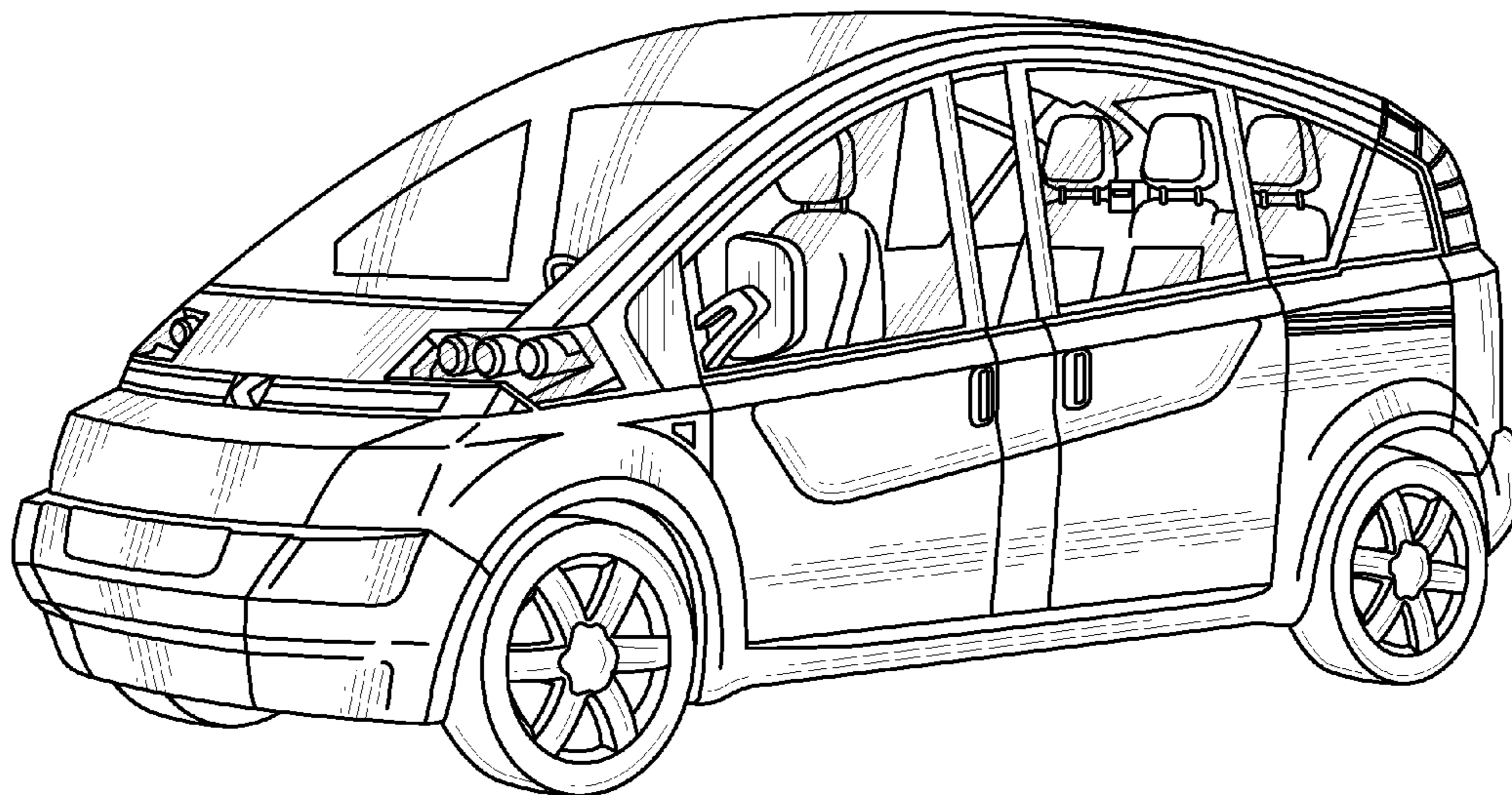
FIG. 5 is a left side view thereof;

FIG. 6 is a right side view thereof;

FIG. 7 is a rear view thereof; and,

FIG. 8 is a front view thereof.

1 Claim, 4 Drawing Sheets



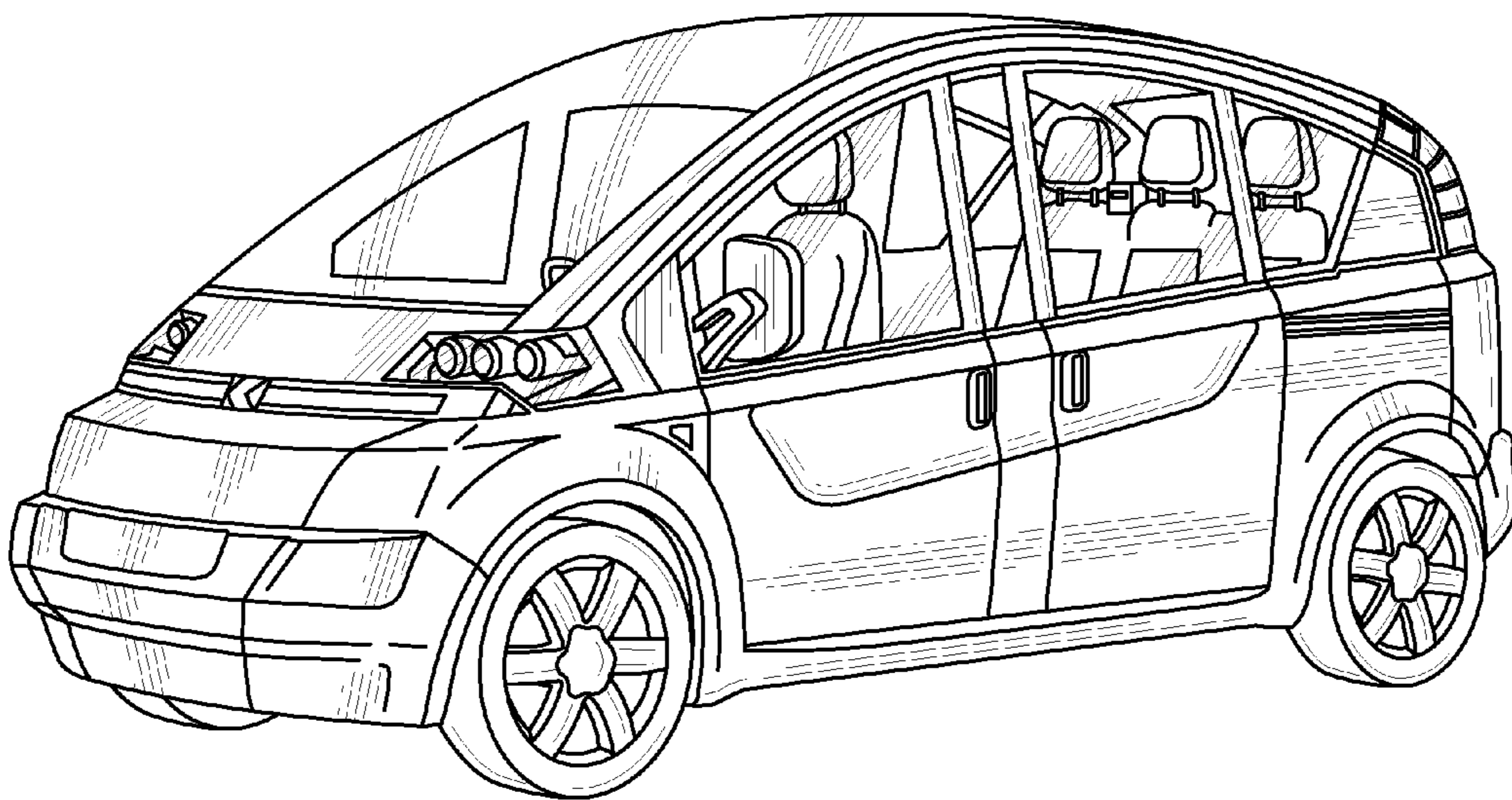


FIG. 1

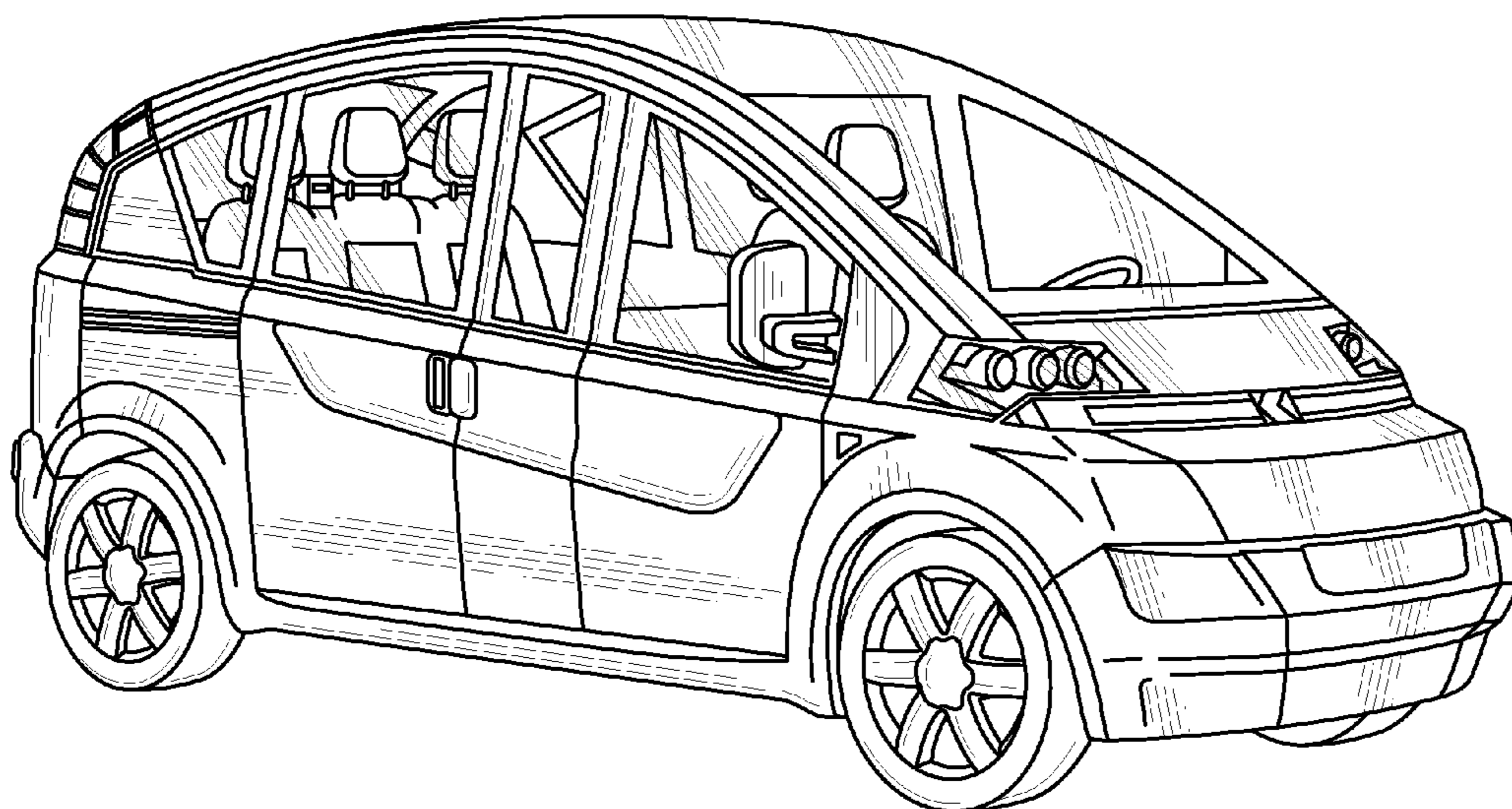


FIG. 2

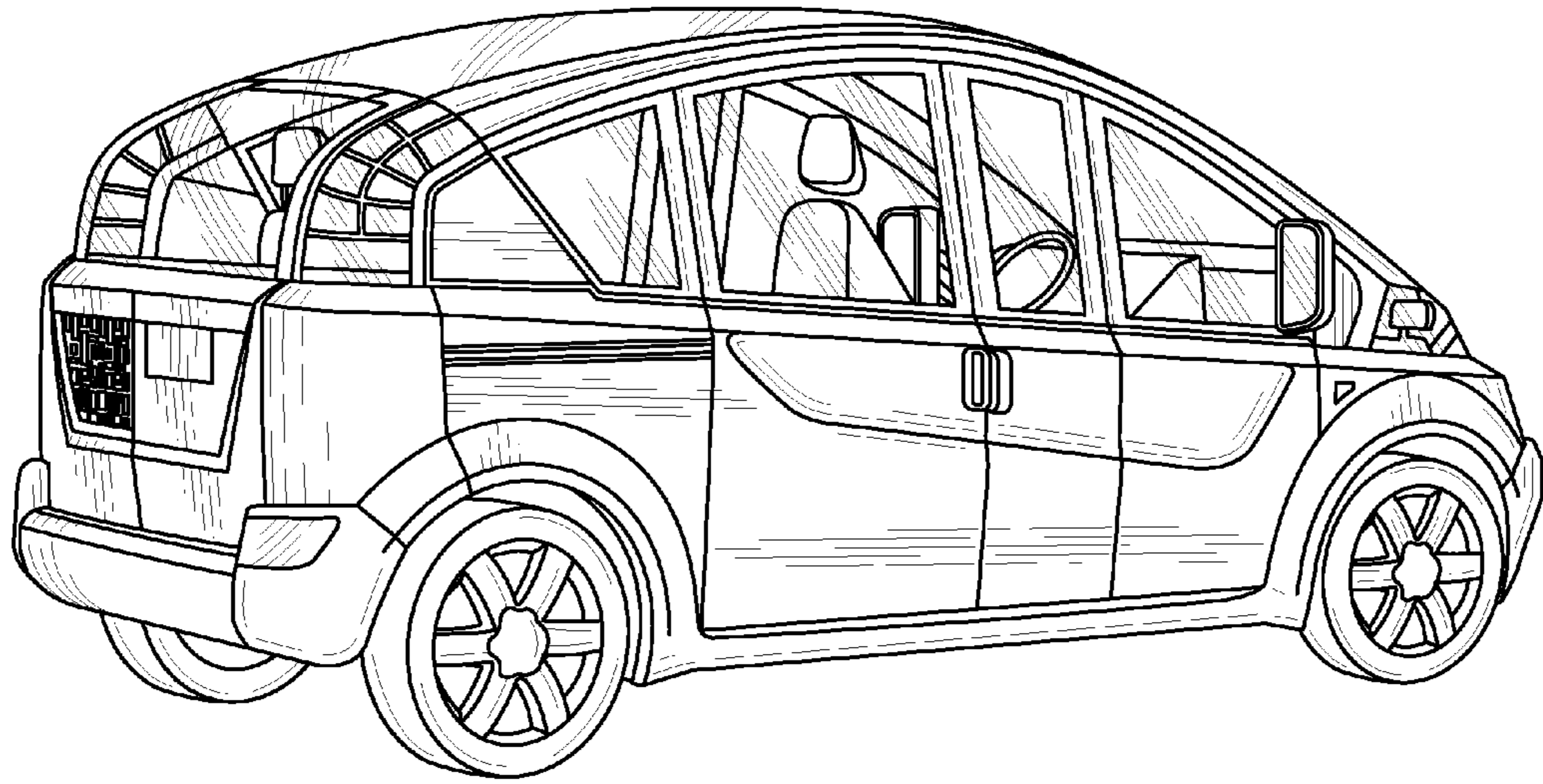


FIG. 3

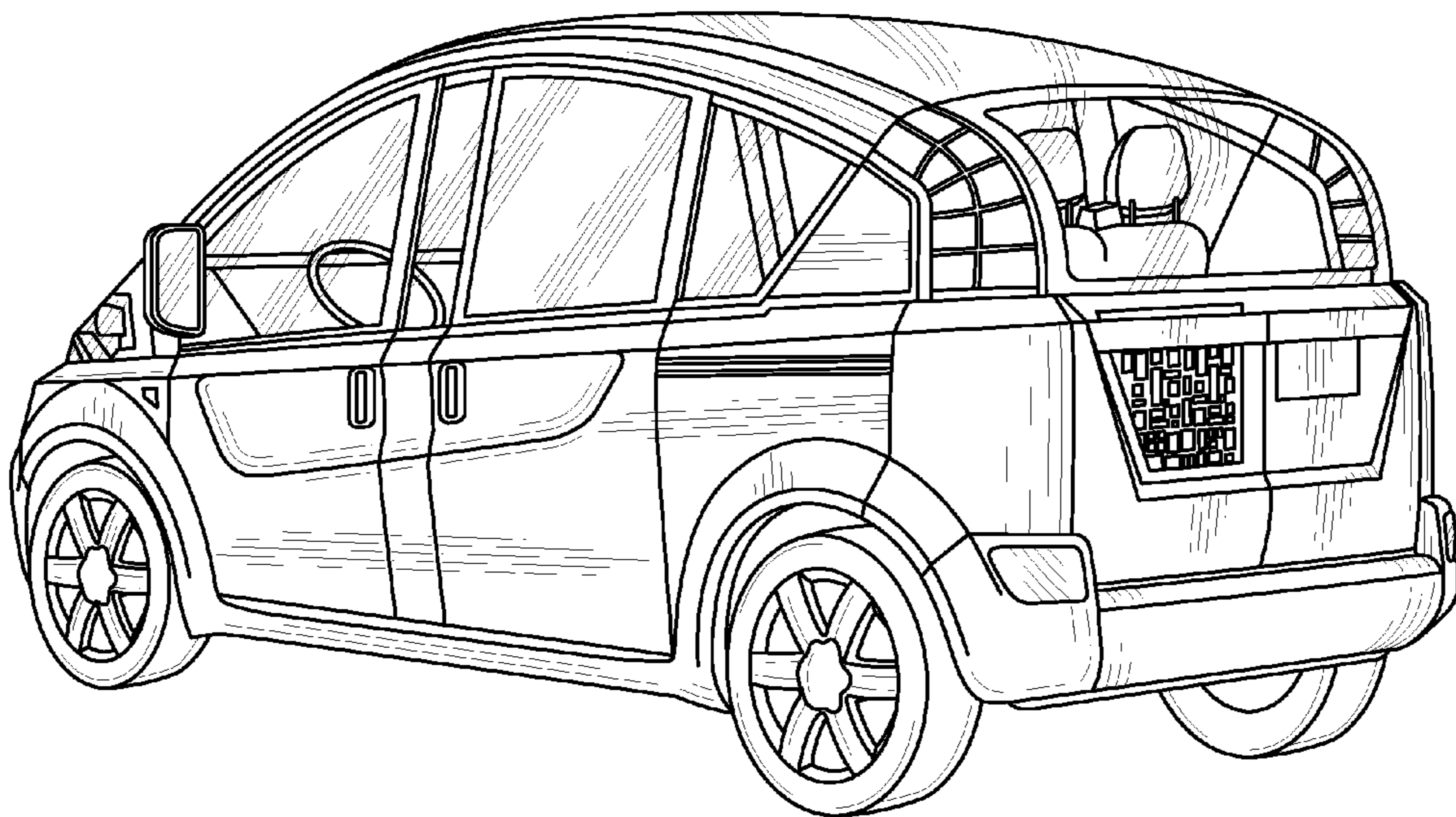


FIG. 4

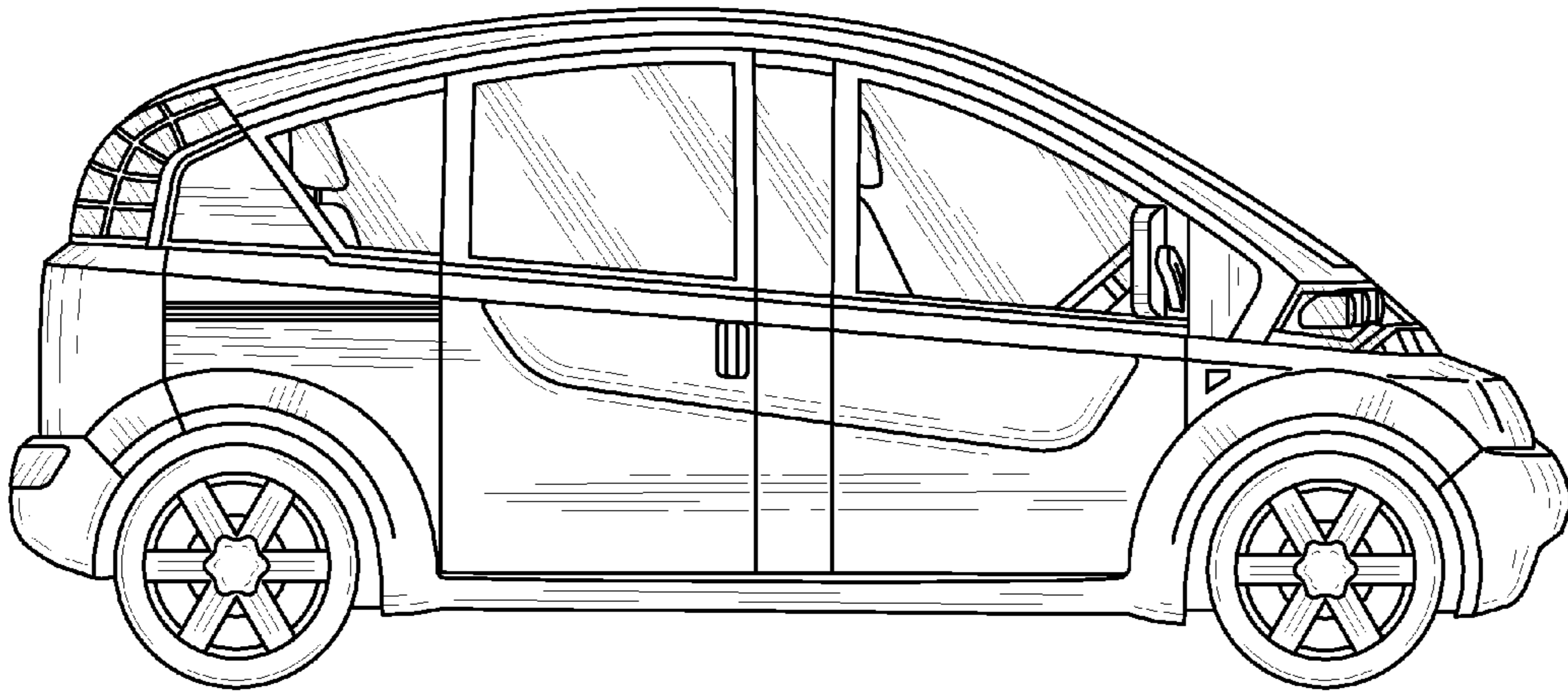


FIG. 5

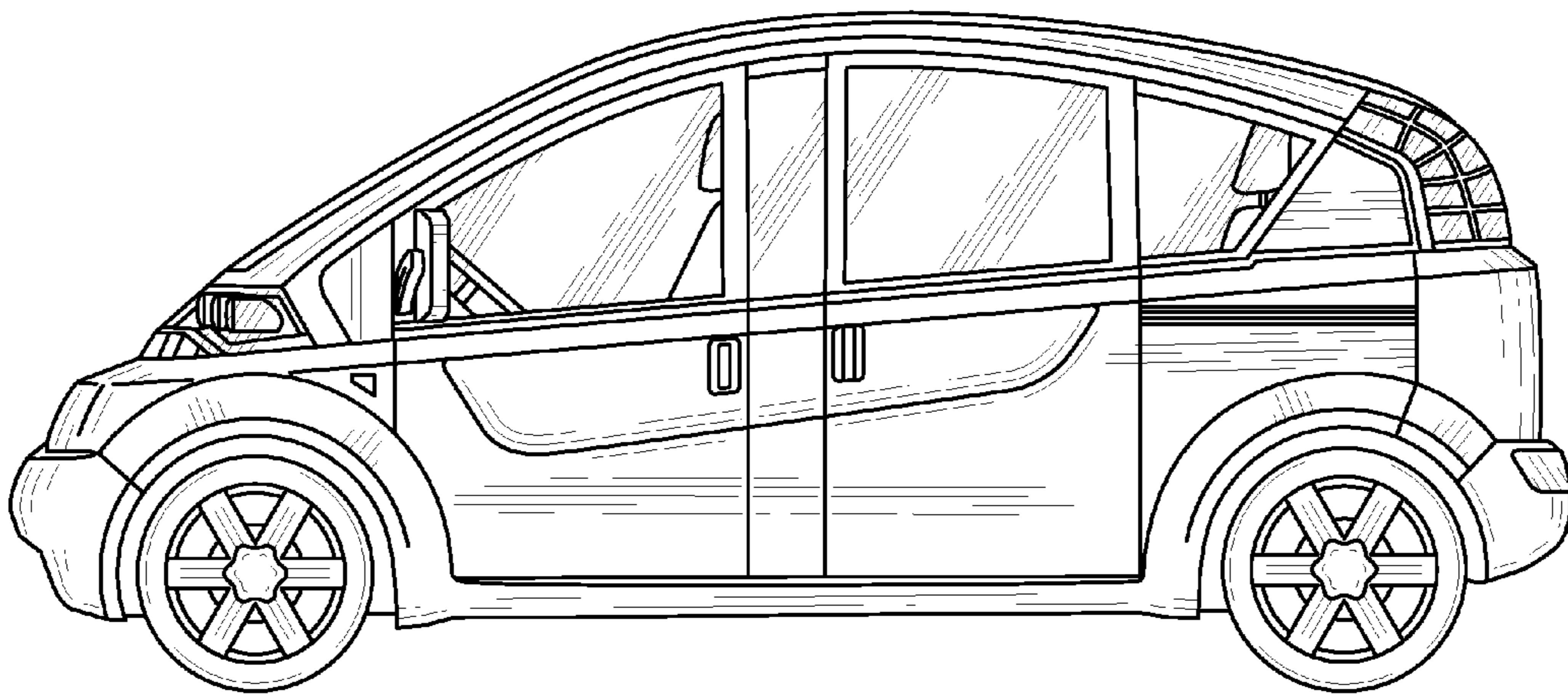


FIG. 6

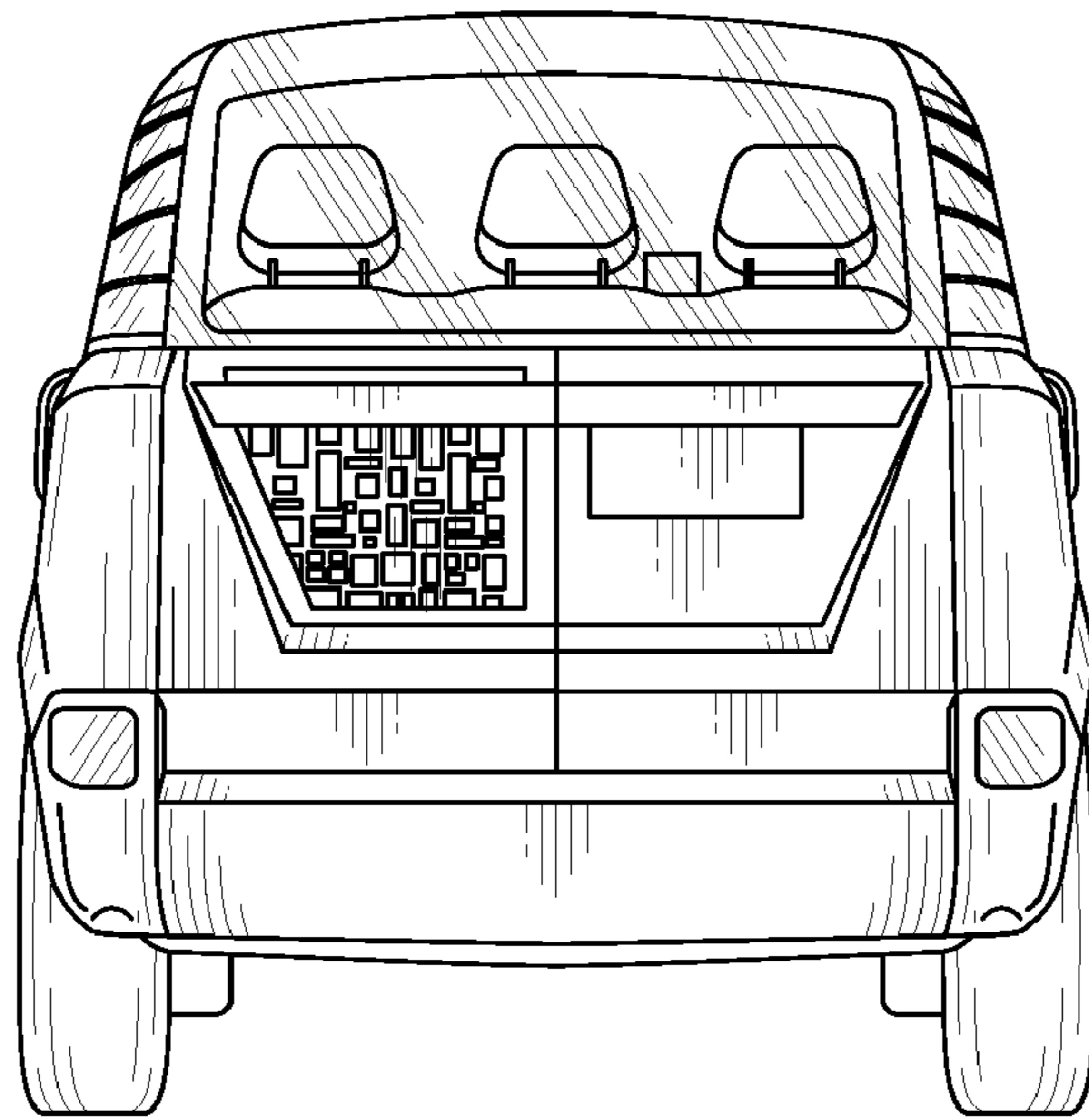


FIG. 7

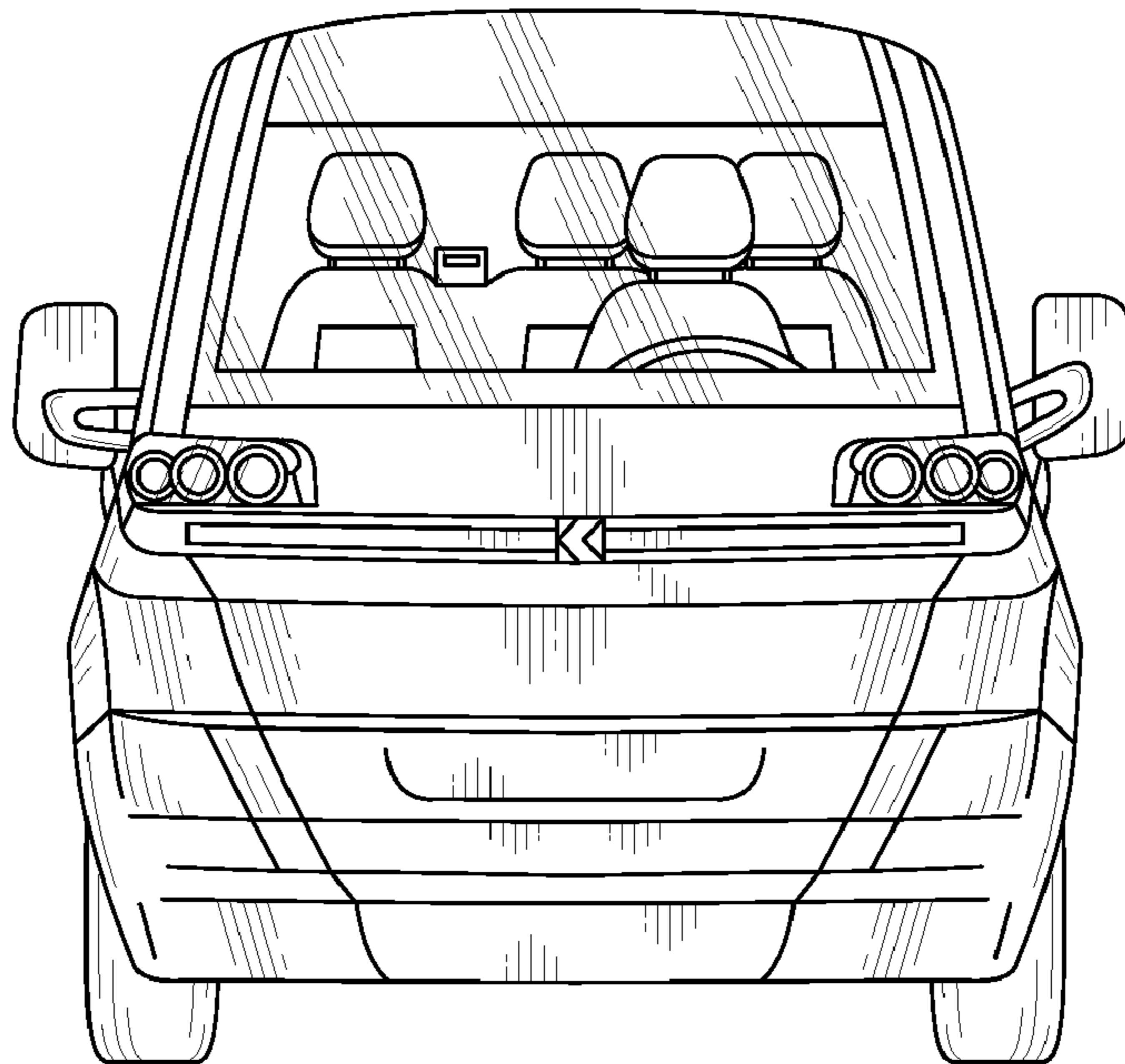


FIG. 8