



US00D642493S

(12) **United States Design Patent**  
**Goebert et al.**

(10) **Patent No.:** **US D642,493 S**

(45) **Date of Patent:** **\*\* Aug. 2, 2011**

(54) **RECREATIONAL UTILITY VEHICLE**

(75) Inventors: **Barry Joseph Goebert**, Beaver Dam, WI (US); **Alberto Manilla**, Rego Park, NY (US); **James Heinrich Weitz**, Hoboken, NJ (US); **Scott Michael Braemer**, Horicon, WI (US); **Jon Cary Gilbeck**, Grafton, WI (US); **Larry D. Swanson**, Horicon, WI (US)

(73) Assignee: **Deere & Company**, Moline, IL (US)

(\*\*) Term: **14 Years**

(21) Appl. No.: **29/375,030**

(22) Filed: **Sep. 16, 2010**

(51) **LOC (9) Cl.** ..... **12-08**

(52) **U.S. Cl.** ..... **D12/87**

(58) **Field of Classification Search** ..... D12/86,  
D12/87, 1, 14; D21/424, 433, 803; D15/30;  
280/DIG. 5, 183-186, 28, 37.7; 180/233,  
180/908

See application file for complete search history.

(56) **References Cited**

**U.S. PATENT DOCUMENTS**

D497,324 S \* 10/2004 Chestnut et al. .... D12/87  
D503,658 S \* 4/2005 Lu ..... D12/87

D535,215 S \* 1/2007 Turner et al. .... D12/87  
D549,133 S \* 8/2007 LePage ..... D12/87  
D555,036 S \* 11/2007 Eck ..... D12/87  
D563,274 S \* 3/2008 Ramos ..... D12/87  
D606,900 S \* 12/2009 Flores ..... D12/87  
D622,631 S \* 8/2010 Lai et al. .... D12/87  
D625,662 S \* 10/2010 Li ..... D12/87  
D631,395 S \* 1/2011 Tandrup et al. .... D12/14

\* cited by examiner

*Primary Examiner* — Melody N Brown

(57) **CLAIM**

The ornamental design for a recreational utility vehicle, as shown and described.

**DESCRIPTION**

FIG. 1 is a front left side perspective view of a recreational utility vehicle showing our new design.

FIG. 2 is a front view of the recreational utility vehicle design of FIG. 1.

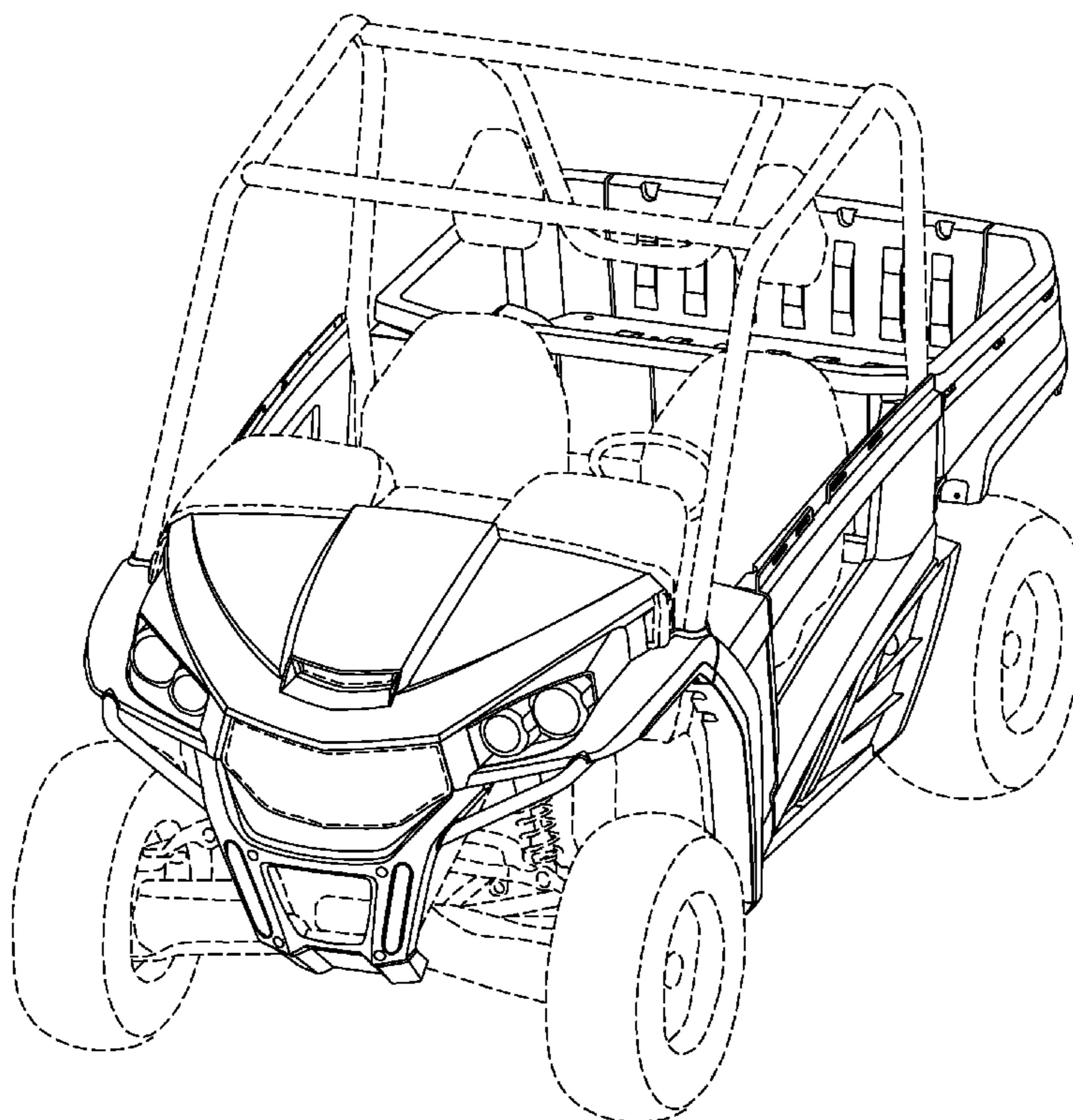
FIG. 3 is a rear view of the recreational utility vehicle design of FIG. 1.

FIG. 4 is a left side view of the recreational utility vehicle design of FIG. 1.

FIG. 5 is a right side view of the recreational utility vehicle design of FIG. 1; and,

FIG. 6 is a top view of the recreational utility vehicle design of FIG. 1.

**1 Claim, 6 Drawing Sheets**



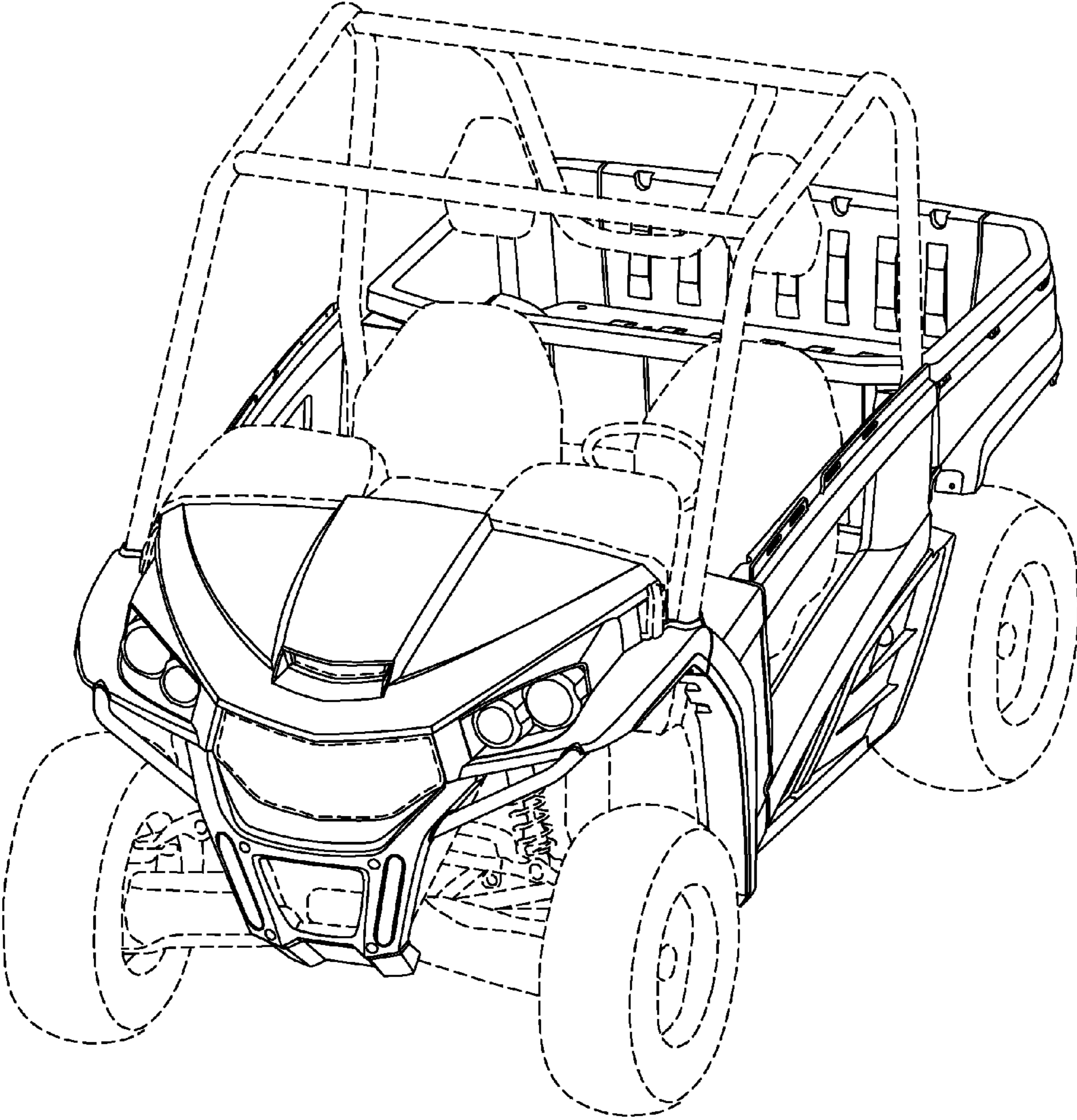


Fig. 1

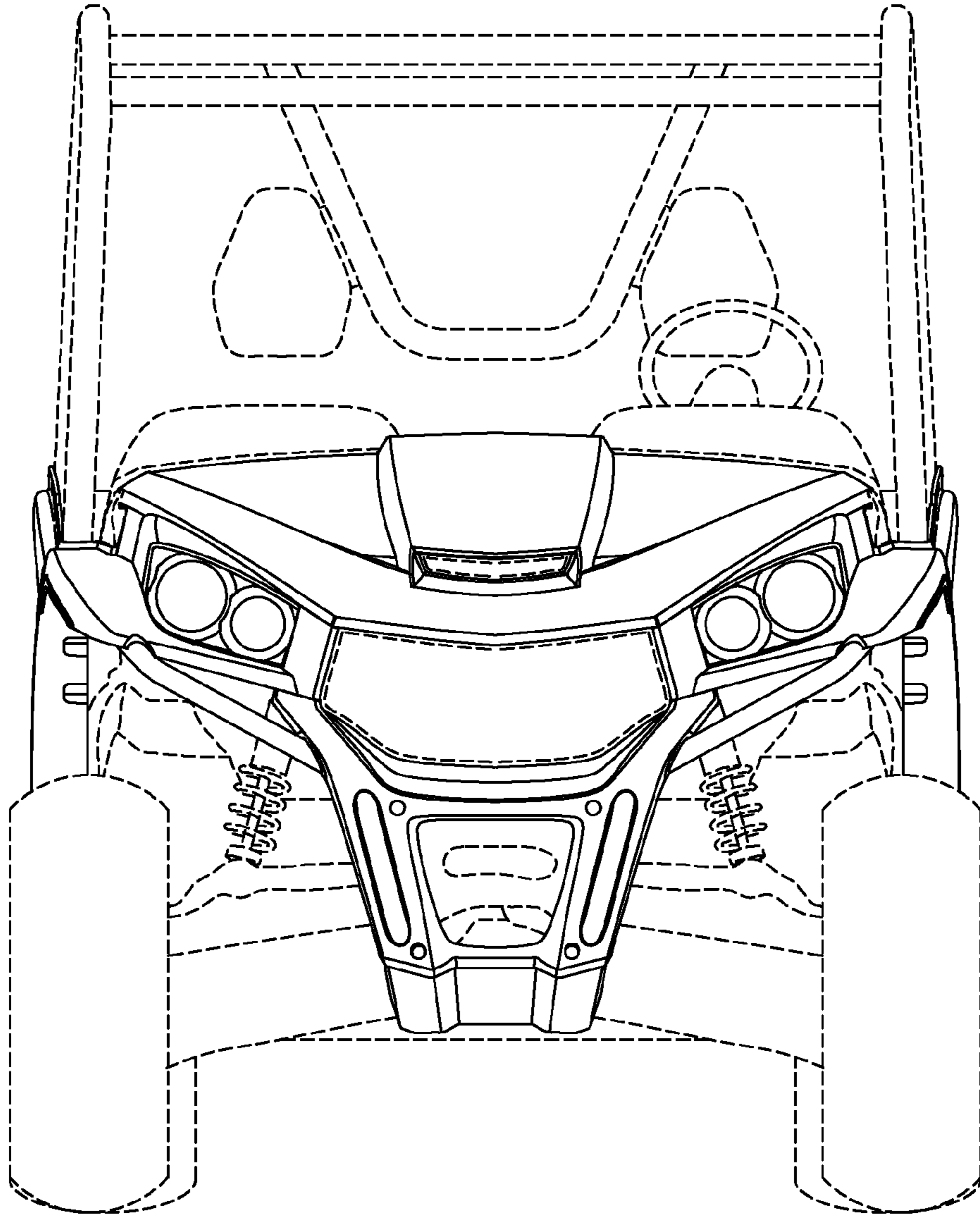


Fig. 2

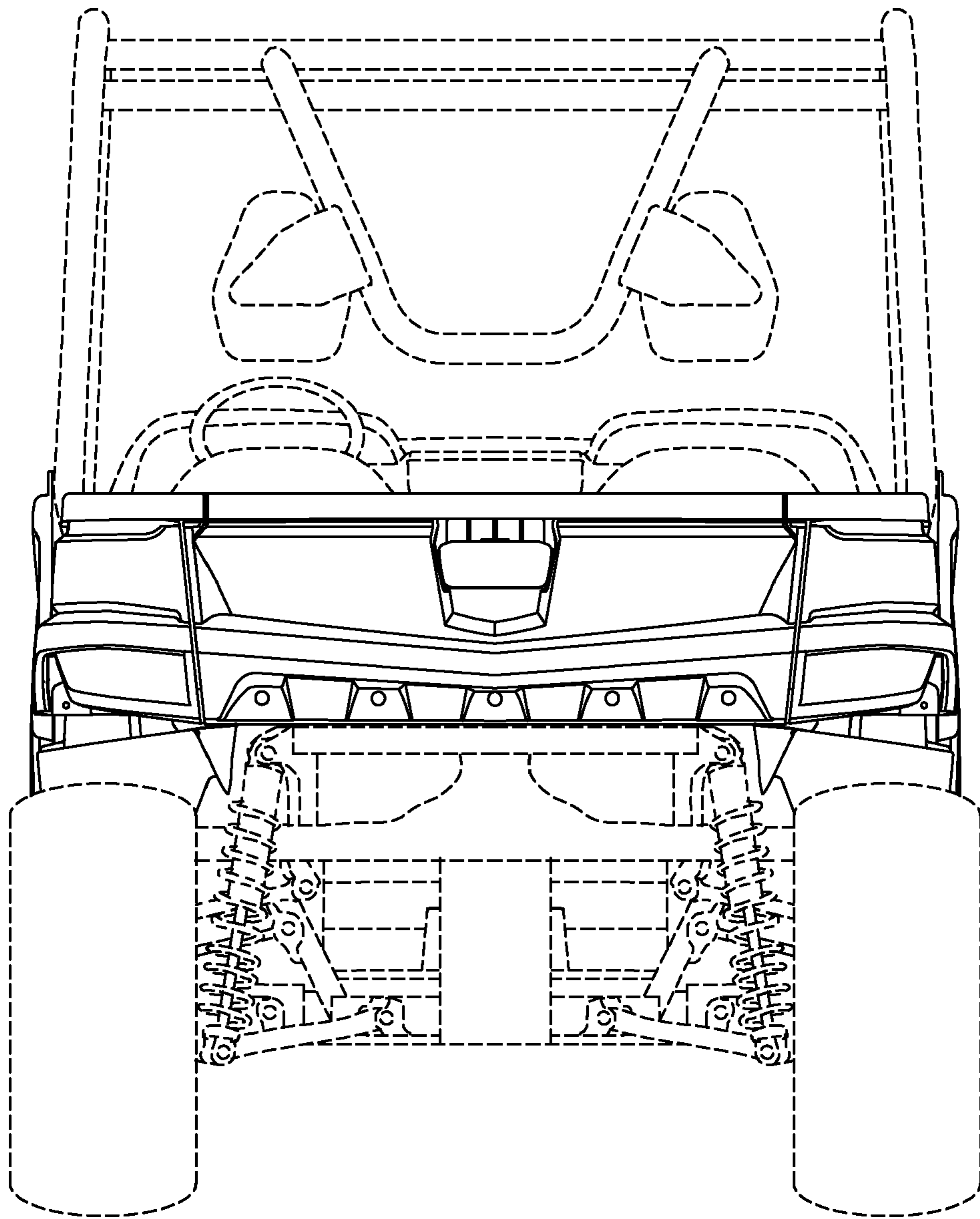


Fig. 3

Fig. 4

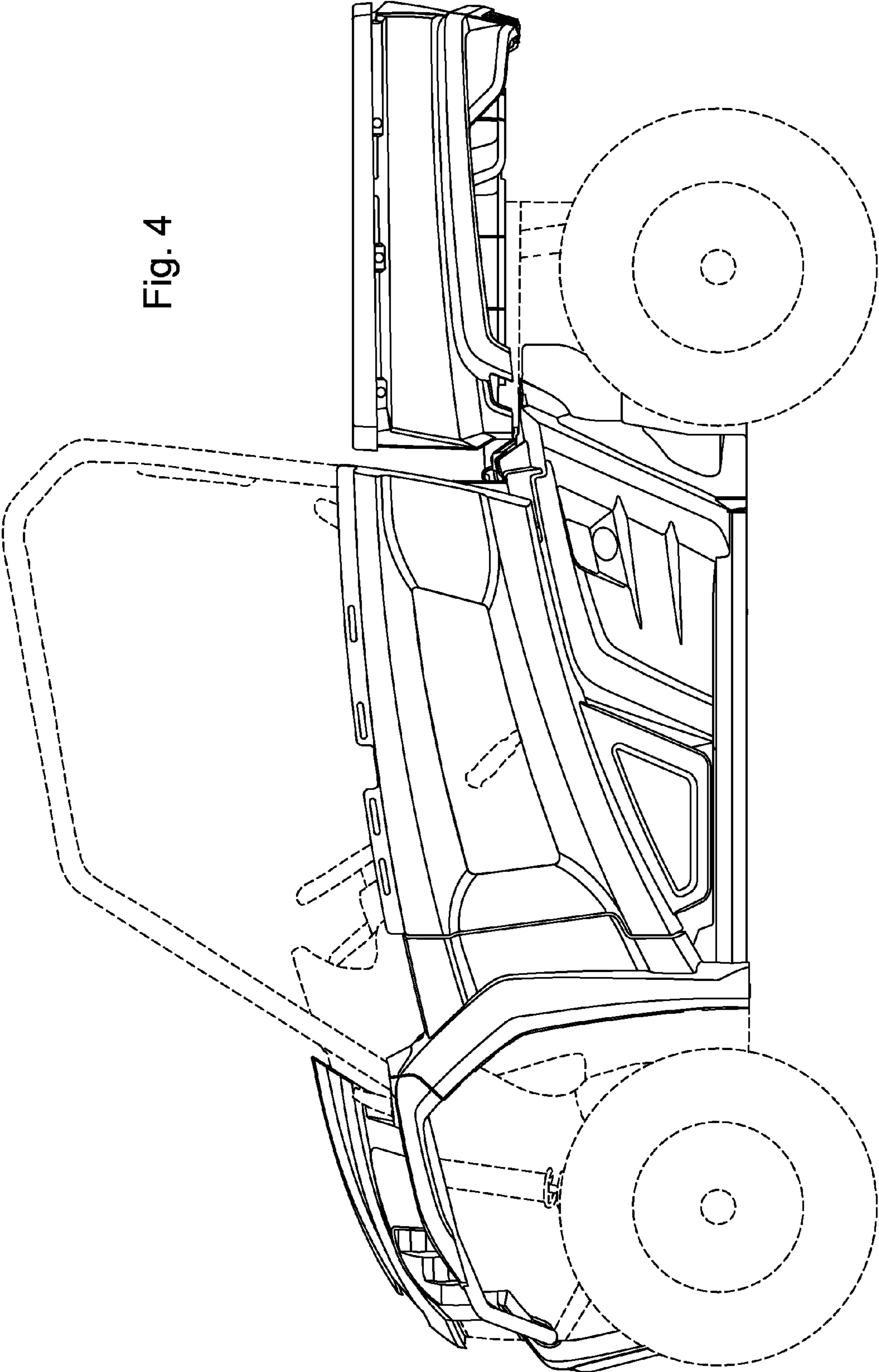
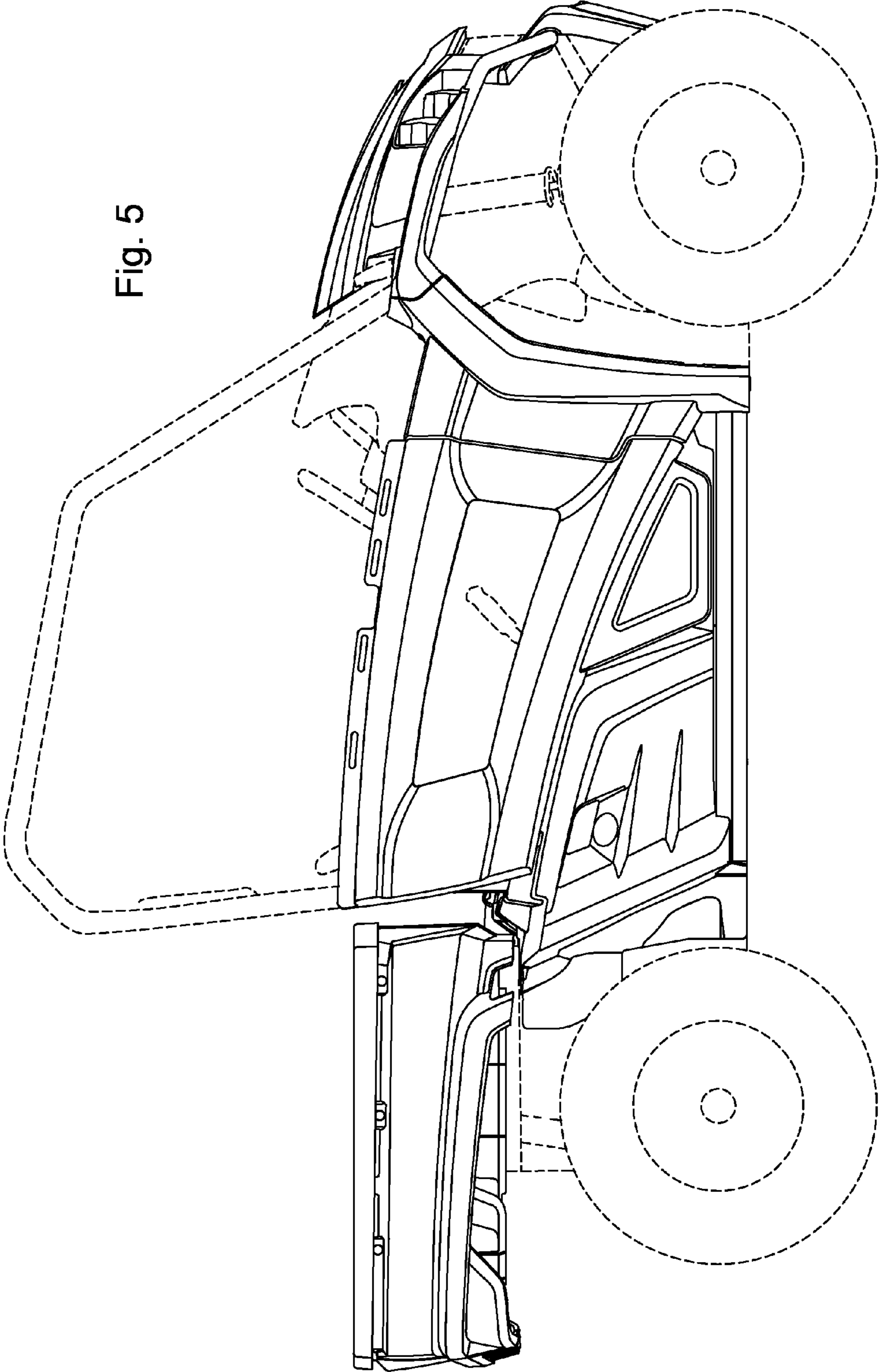


Fig. 5



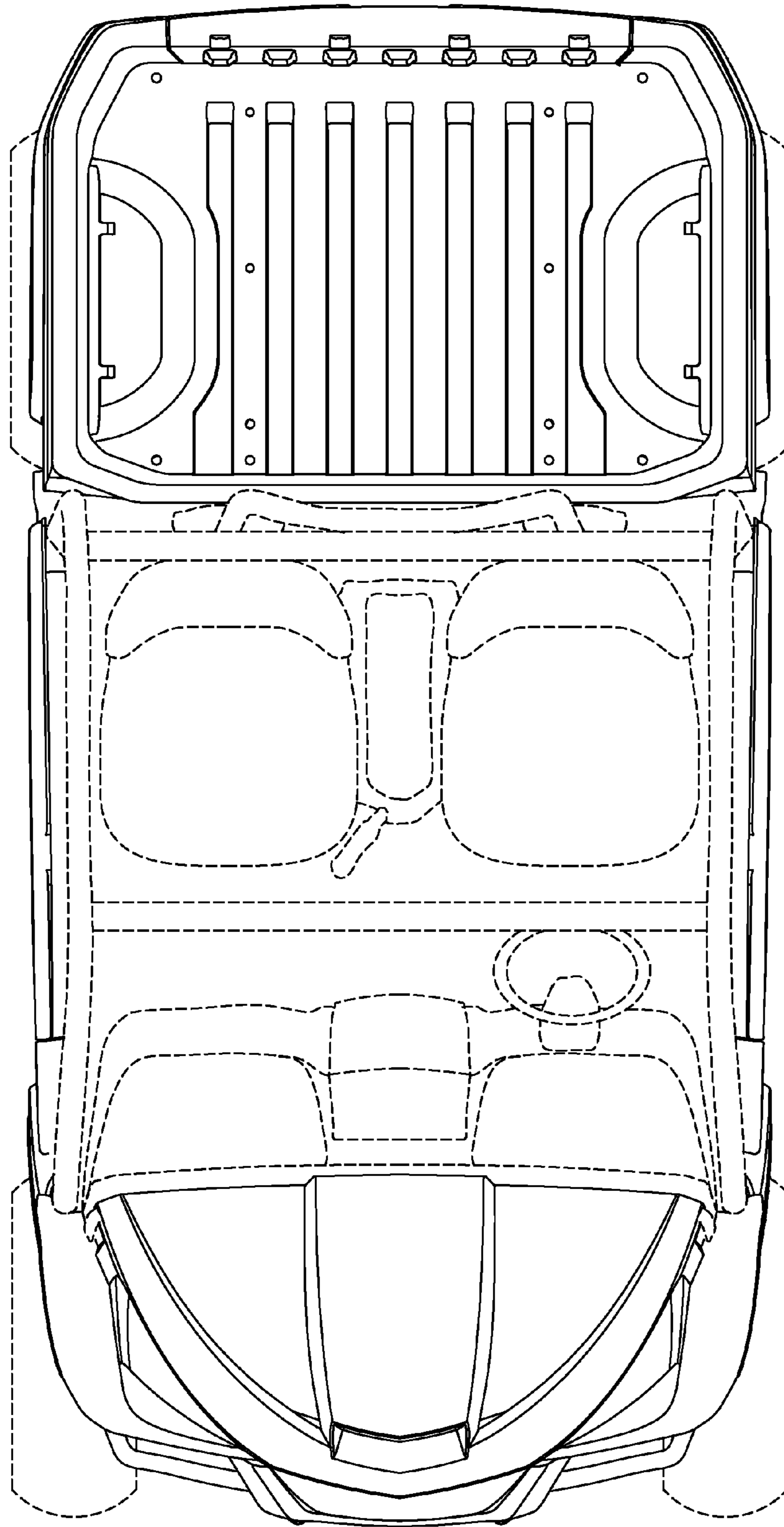


Fig. 6