



US00D642492S

(12) **United States Design Patent**
Wardenburg

(10) **Patent No.:** **US D642,492 S**
(45) **Date of Patent:** **** Aug. 2, 2011**

(54) **PLANT TRAY DOME**

FOREIGN PATENT DOCUMENTS

(75) Inventor: **Peter Wardenburg**, Petaluma, CA (US)

GB 4015756 * 5/2010

* cited by examiner

(73) Assignee: **Hydrofarm, Inc.**, Petaluma, CA (US)

Primary Examiner — Garth Rademaker

(**) Term: **14 Years**

(74) *Attorney, Agent, or Firm* — Craig M. Stainbrook;
Stainbrook & Stainbrook, LLP

(21) Appl. No.: **29/360,462**

(57) **CLAIM**

The ornamental design for a plant tray dome, as shown and described.

(22) Filed: **Apr. 26, 2010**

(51) **LOC (9) Cl.** **11-02**

DESCRIPTION

(52) **U.S. Cl.** **D11/145; D11/155**

(58) **Field of Classification Search** D6/403–405,
D6/556–558; D8/1; D11/143–156, 164;
D19/77, 80, 81; D26/9–11, 16; D34/1, 2,
D34/4–6; D99/5, 19; 47/17, 32.4, 32.5,
47/32.7, 33, 41.01, 41.1, 41.11–41.15, 44–47,
47/65, 65.5, 65.9, 66.6, 66.7, 67–71
See application file for complete search history.

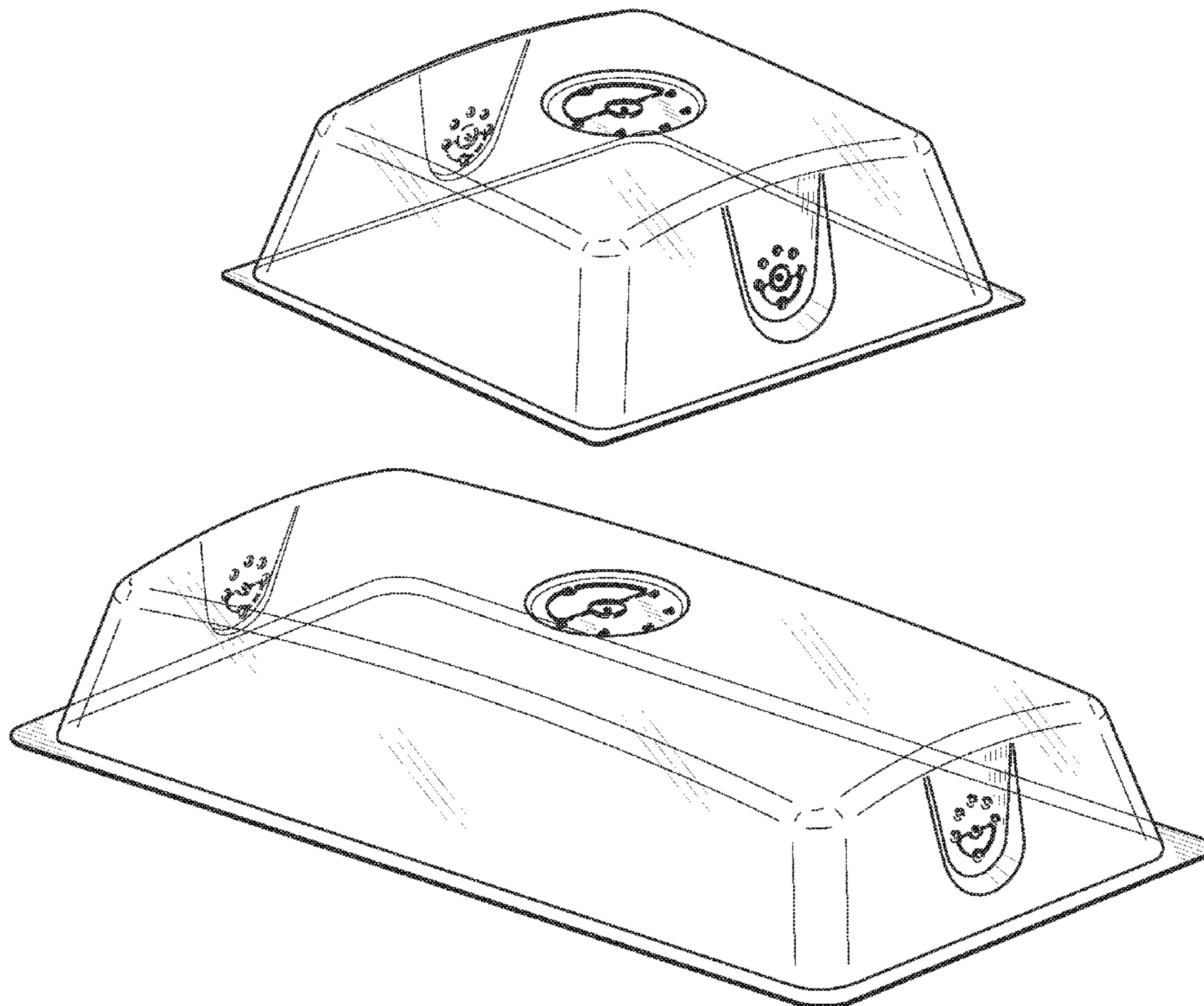
FIG. 1 is a top, front, right side perspective view of a plant tray dome, showing a first embodiment of the design;
FIG. 2 is a right side elevation view thereof, the left side elevation view being a mirror image thereof;
FIG. 3 is a front elevation view thereof;
FIG. 4 is a top plan view thereof;
FIG. 5 is a top, front, right side perspective view of a plant tray dome, showing a second embodiment of the design;
FIG. 6 is a right side elevation view thereof, the left side elevation view being a mirror image thereof;
FIG. 7 is a front elevation view thereof;
FIG. 8 is a top plan view thereof;
FIG. 9 is a top, front, right side perspective view of a plant tray dome, showing a third embodiment of the design;
FIG. 10 is a right side elevation view thereof, the left side elevation view being a mirror image thereof;
FIG. 11 is a front elevation view thereof; and,
FIG. 12 is a top plan view thereof.

(56) **References Cited**

U.S. PATENT DOCUMENTS

2,722,778	A *	11/1955	Carufel	D11/156
3,082,575	A *	3/1963	Schulz	D11/144
4,291,494	A *	9/1981	Knablein et al.	47/17
D352,917	S *	11/1994	DesLaurier	D11/155
5,548,924	A *	8/1996	Mekler	47/69
D409,947	S *	5/1999	Bongard et al.	D11/155
D489,288	S *	5/2004	Balsdon	D11/155
D596,527	S *	7/2009	Kertz	D11/145
D606,451	S *	12/2009	Kertz	D11/145

1 Claim, 6 Drawing Sheets



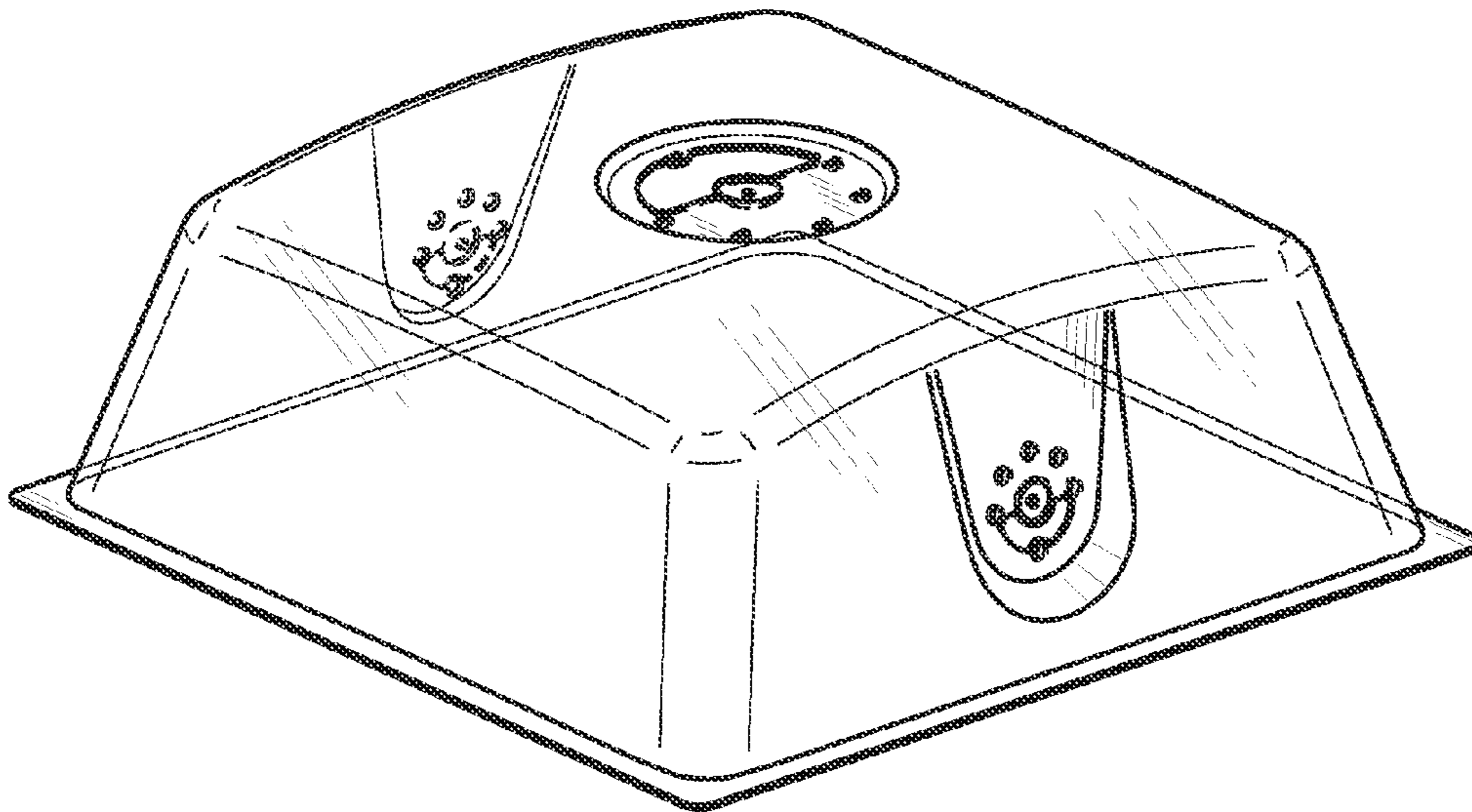


FIG. 1

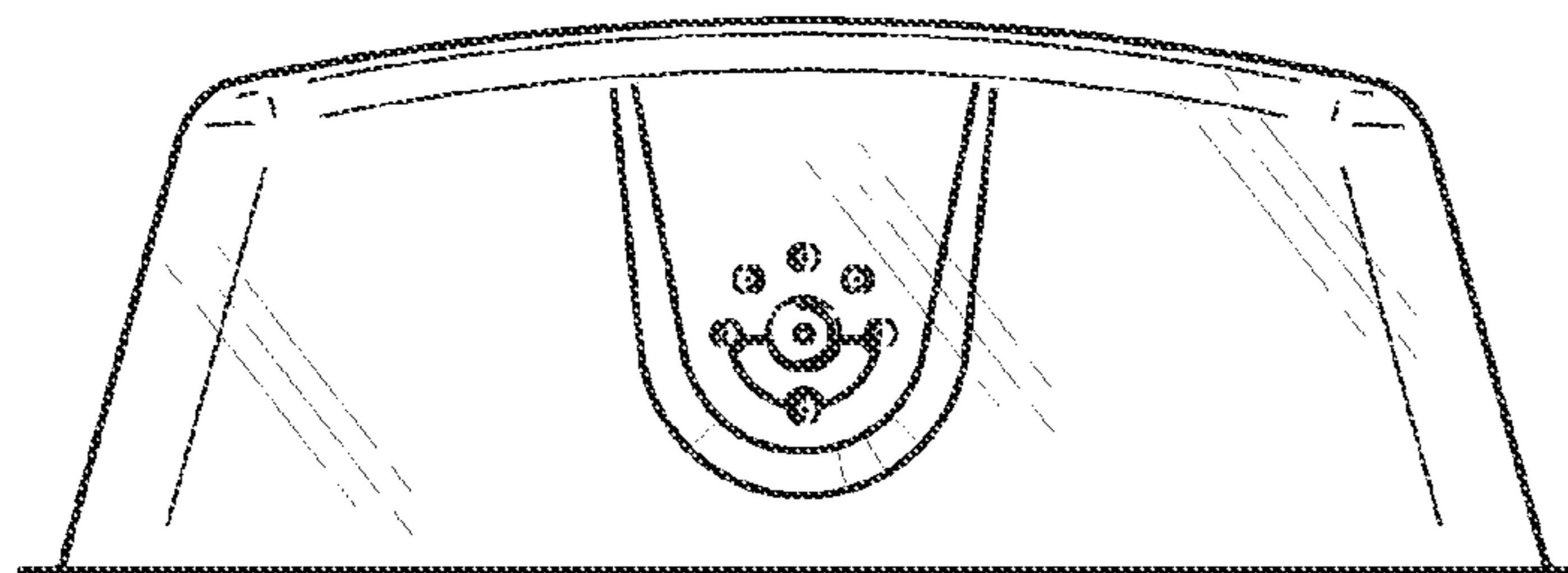


FIG. 2

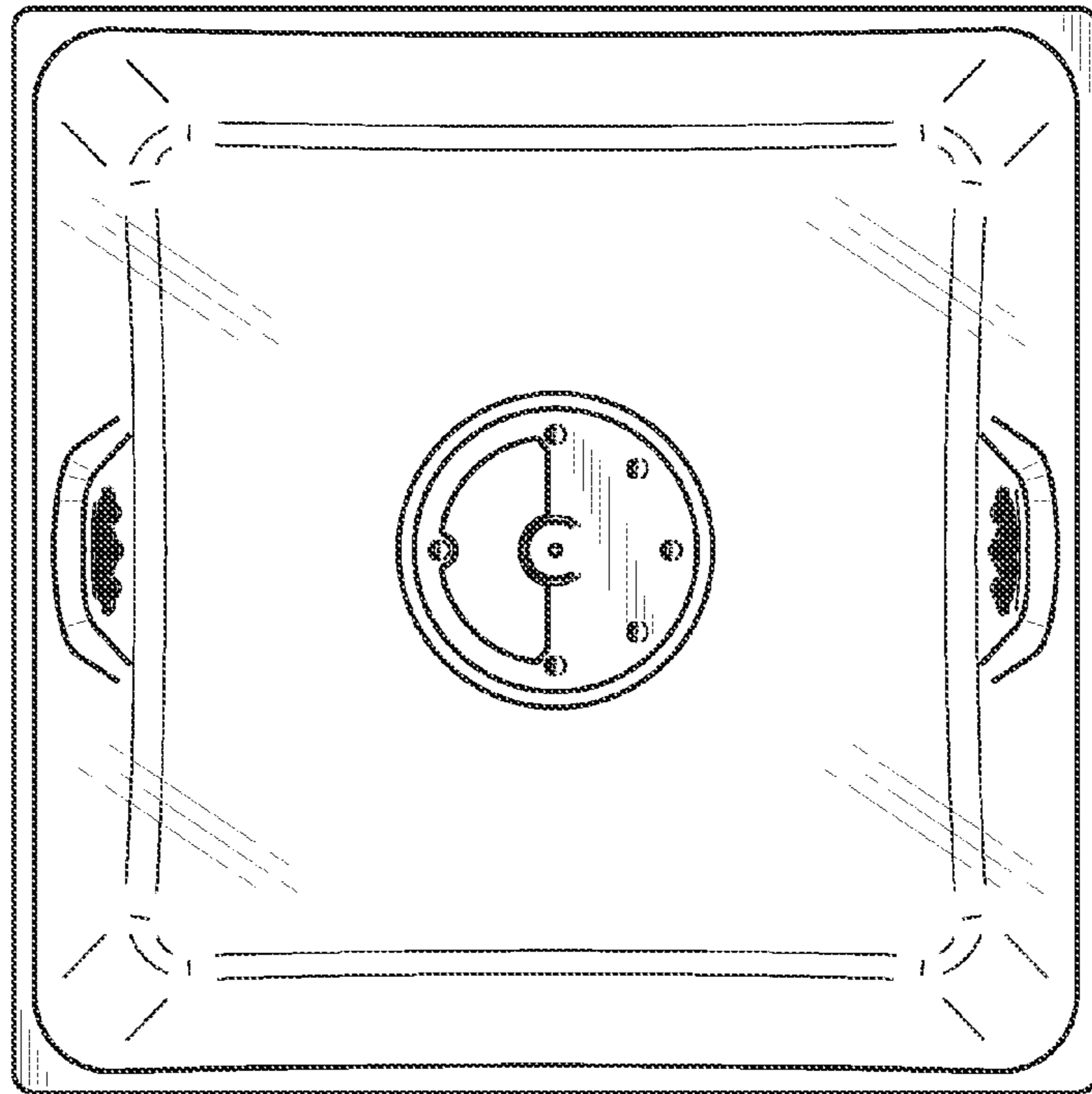


FIG. 4

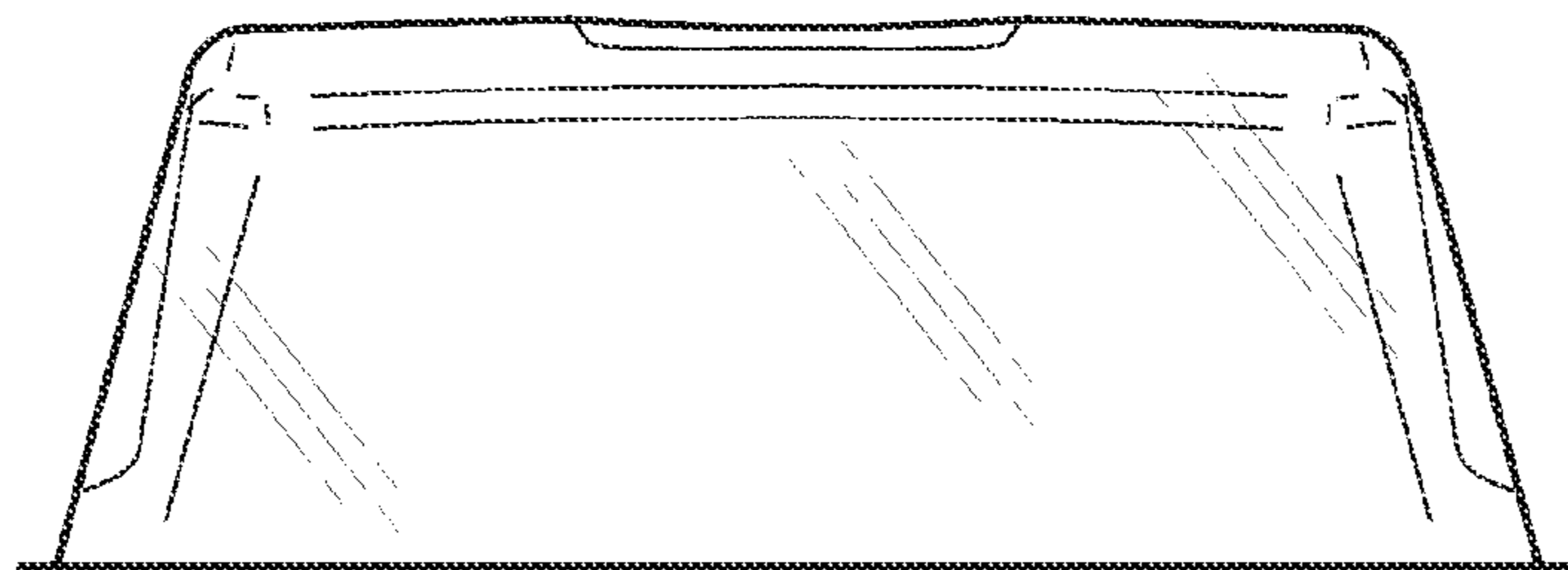


FIG. 3

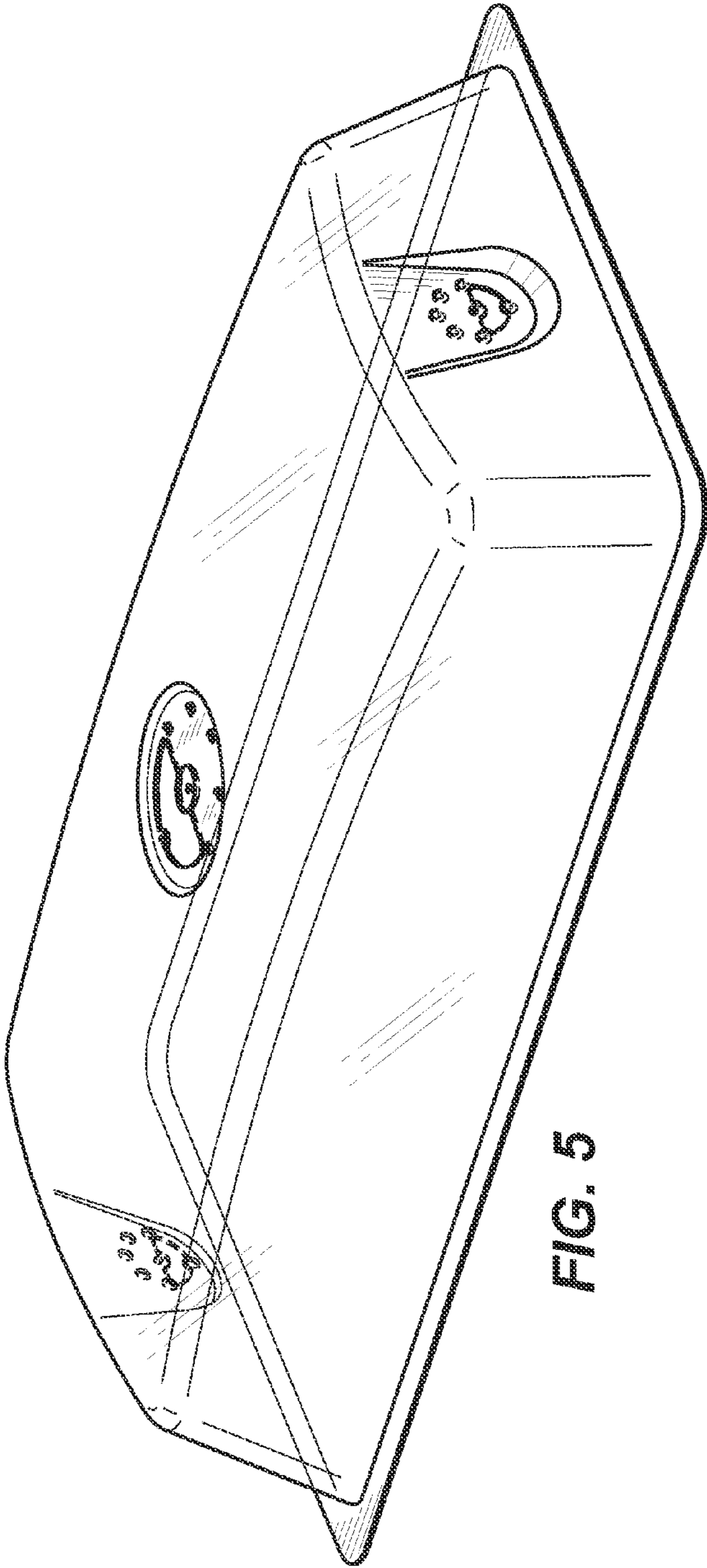


FIG. 5

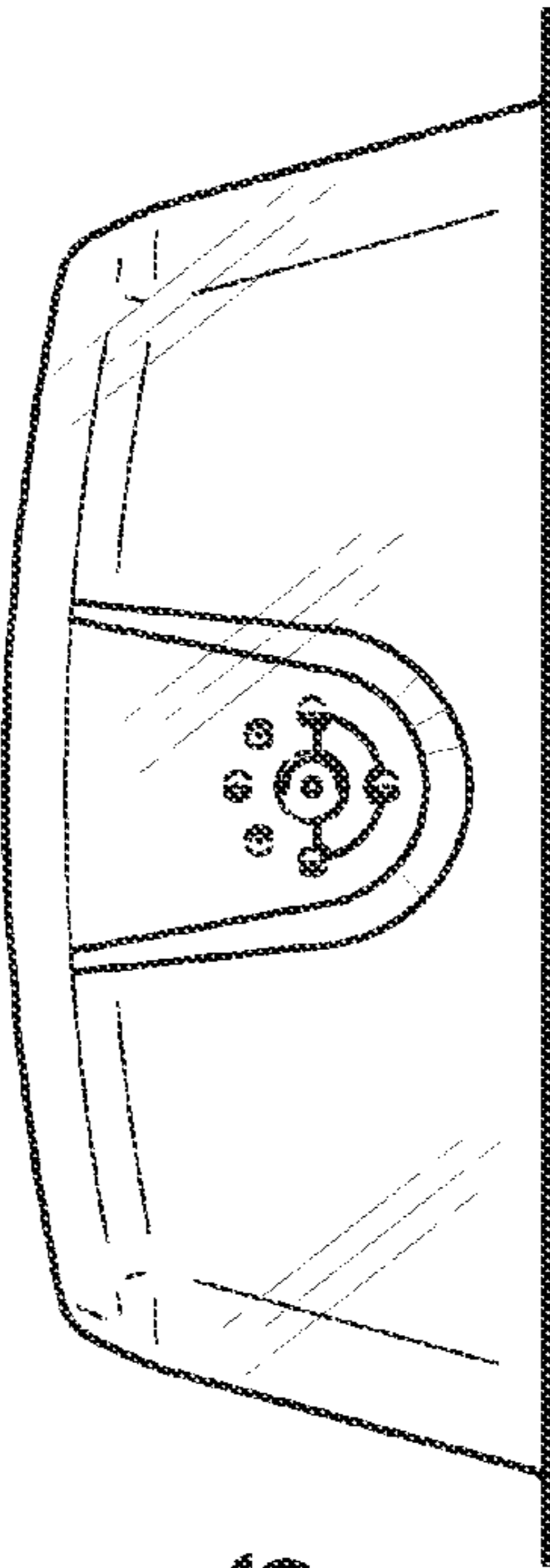


FIG. 6

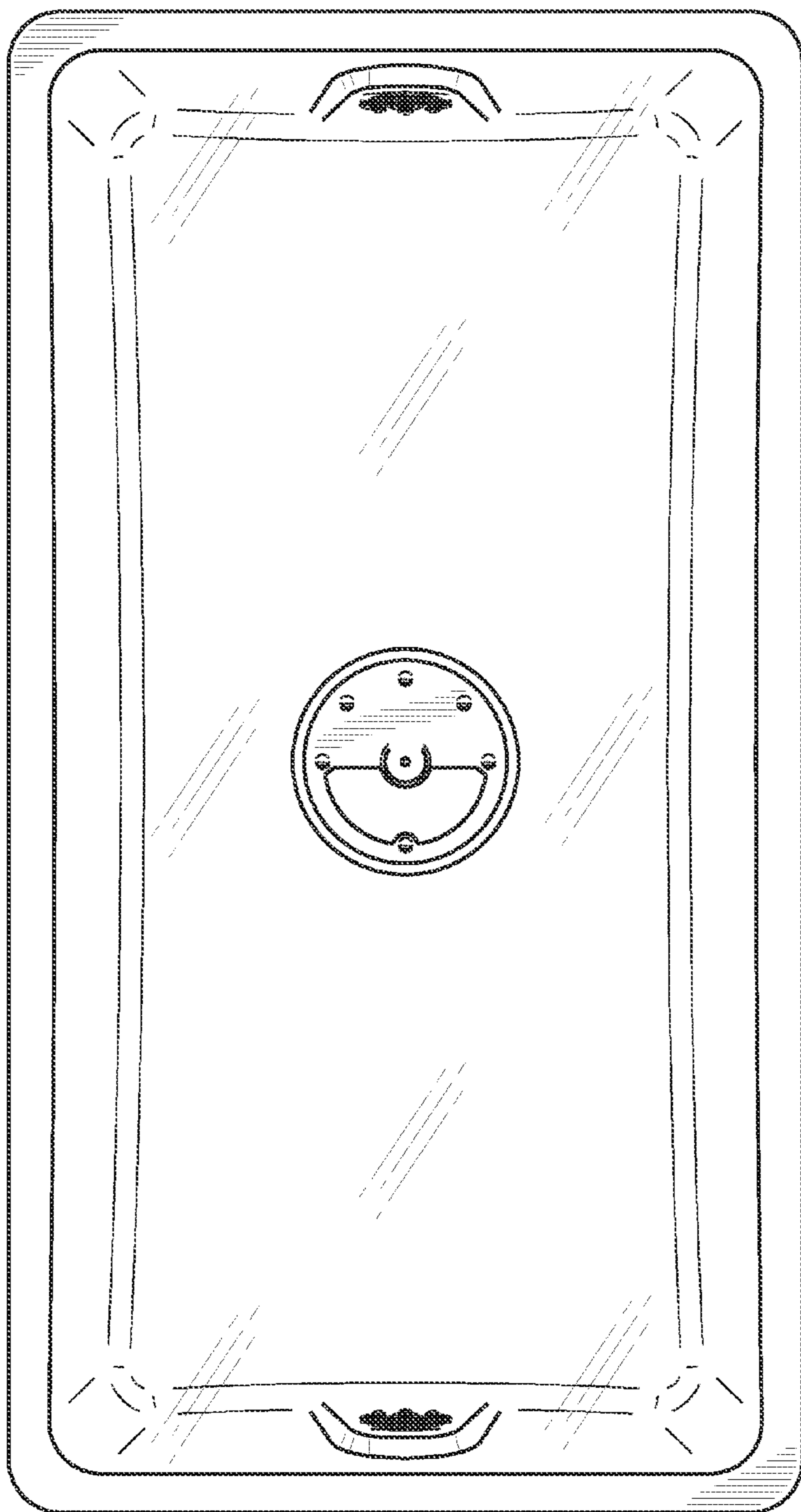


FIG. 8

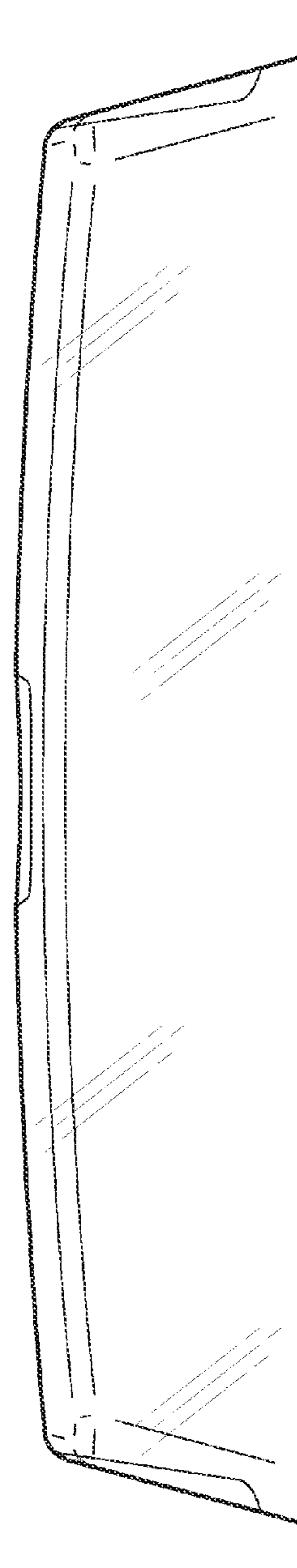


FIG. 7

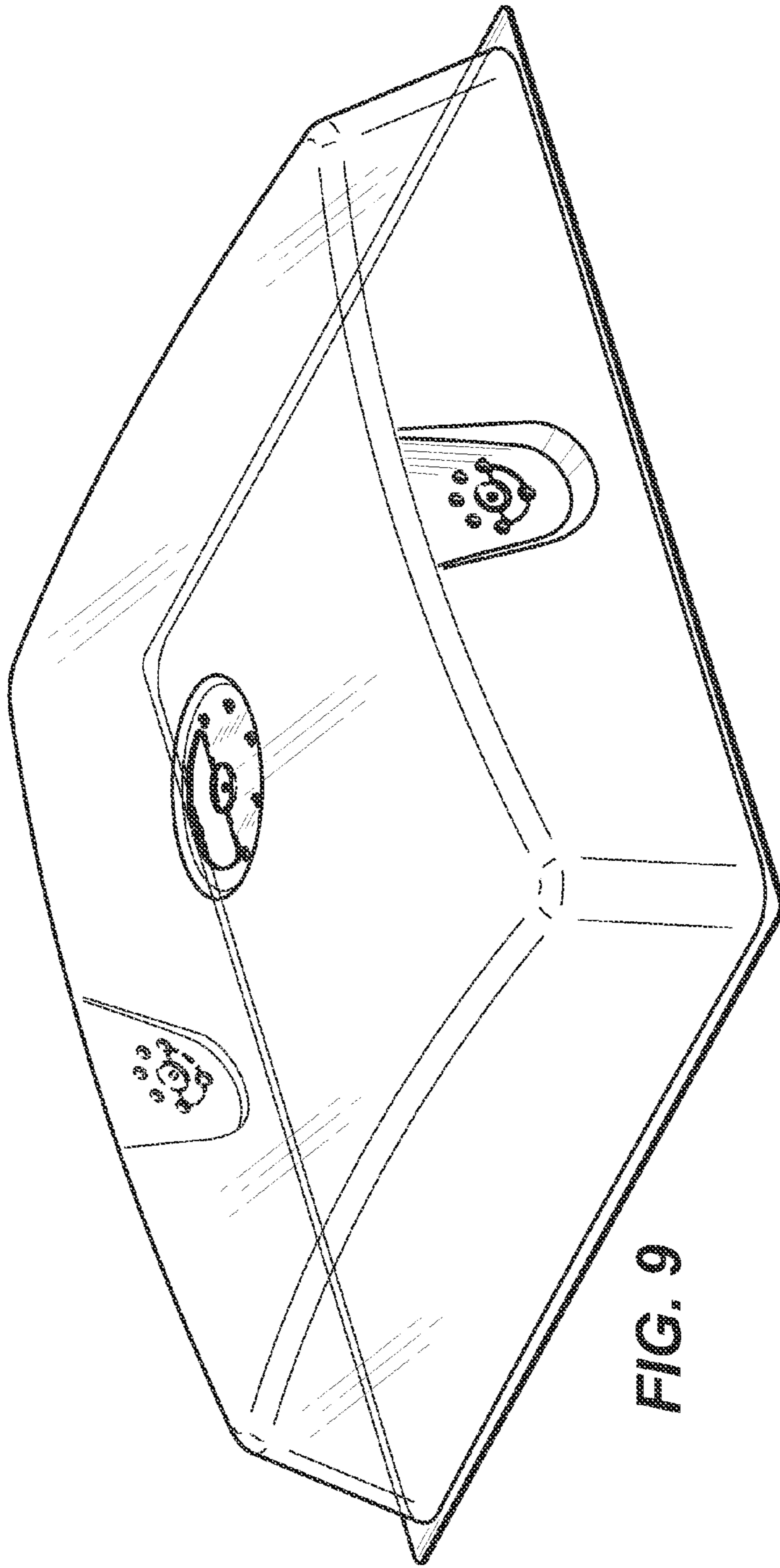


FIG. 9

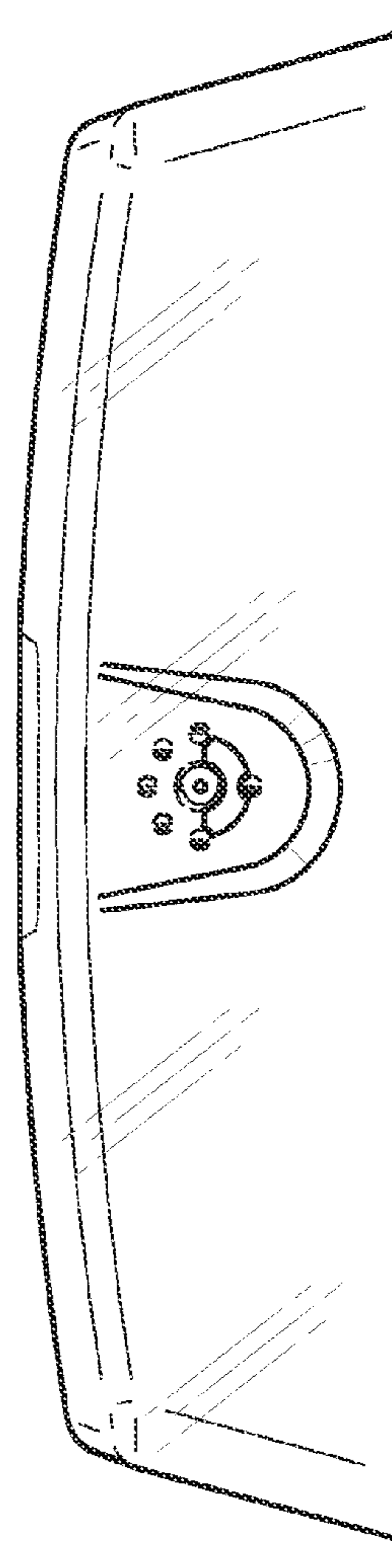


FIG. 10

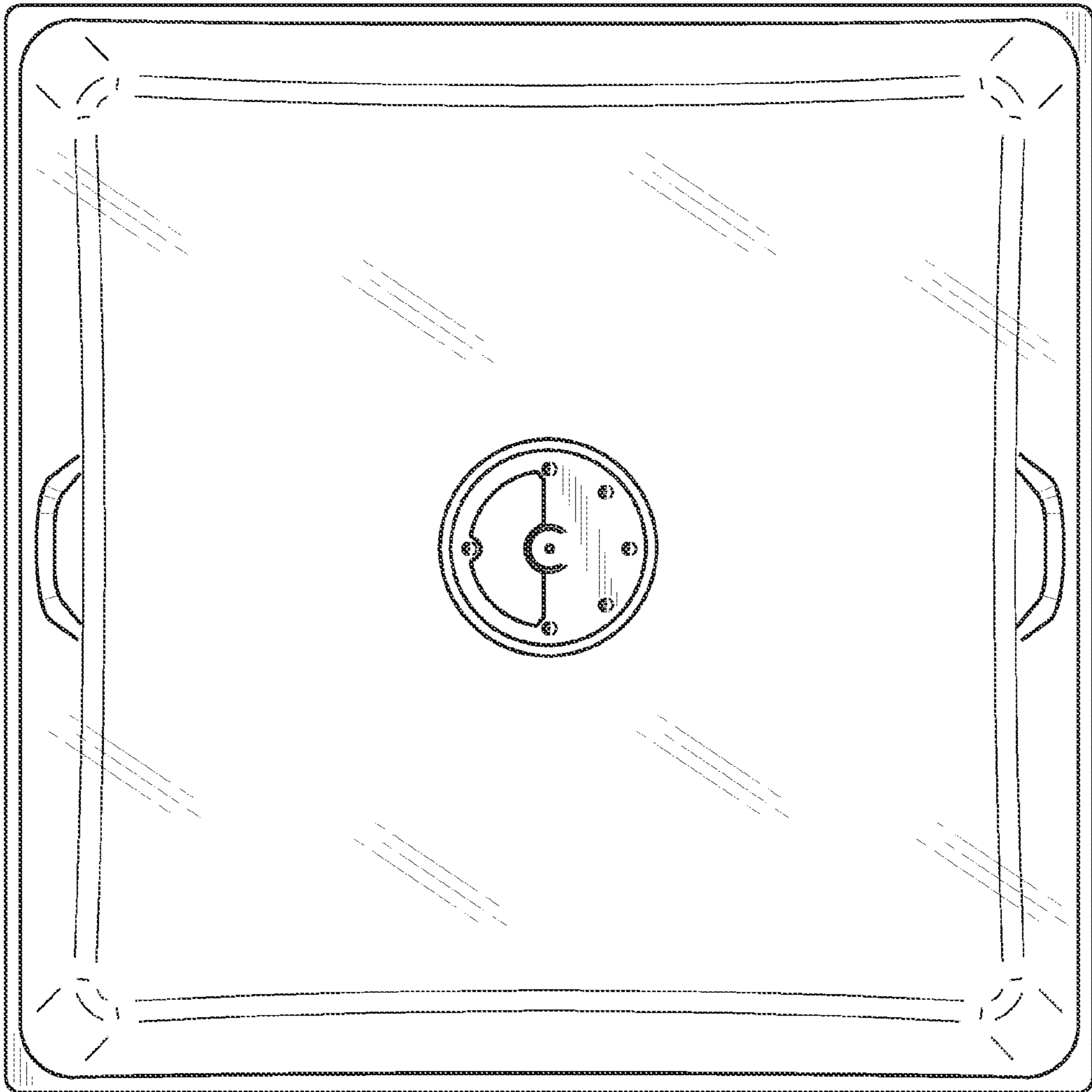


FIG. 12

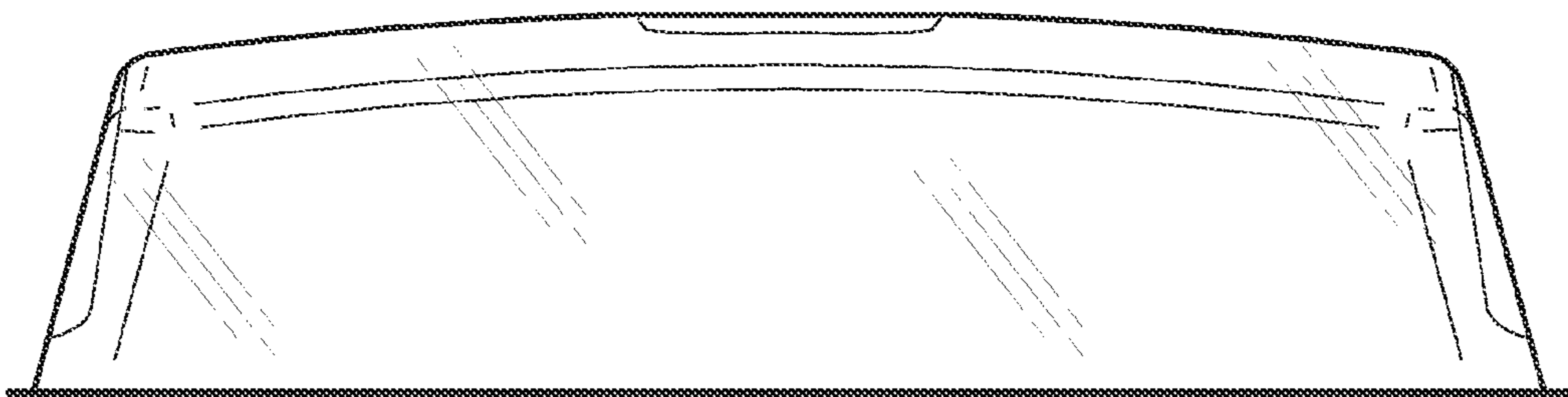


FIG. 11