



US00D642481S

(12) **United States Design Patent**
Proksch

(10) **Patent No.:** **US D642,481 S**

(45) **Date of Patent:** **** Aug. 2, 2011**

(54) **DISPENSER**

(75) Inventor: **Thomas Proksch**, Neumarkt am Wallersee (AT)

(73) Assignee: **Thomas Proksch**, Neumarkt am Wallersee (DE)

(**) Term: **14 Years**

(21) Appl. No.: **29/365,031**

(22) Filed: **Jul. 1, 2010**

(51) **LOC (9) Cl.** **09-01**

(52) **U.S. Cl.** **D9/731**

(58) **Field of Classification Search** D9/414,
D9/417, 428, 730, 731, 732; D19/75, 76,
D19/78, 86, 89, 91; D6/512-518, 524; D3/201,
D3/302; 221/9-14, 30, 33-41, 45, 47-49;
229/110, 129.1, 207, 925
See application file for complete search history.

(56) **References Cited**

U.S. PATENT DOCUMENTS

D280,667 S *	9/1985	Bennett	D28/7
D298,512 S *	11/1988	Gotlib	D3/203.4
D328,703 S *	8/1992	Klumpyan	D3/203.4
D341,777 S *	11/1993	Sheu	D9/415
D358,986 S *	6/1995	Heyl et al.	D9/756
D380,378 S *	7/1997	Wood	D9/731
D548,109 S *	8/2007	Rust et al.	D9/731

D609,118 S *	2/2010	Woodworth	D9/730
D614,024 S *	4/2010	Eason et al.	D9/421
D626,432 S *	11/2010	Luciano et al.	D9/731
D626,433 S *	11/2010	Luciano et al.	D9/731
2009/0294323 A1 *	12/2009	Luciano et al.	206/534
2010/0089937 A1 *	4/2010	Luciano et al.	221/1

* cited by examiner

Primary Examiner — Thomas Johannes

(74) *Attorney, Agent, or Firm* — Davidson, Davidson & Kappel, LLC

(57) **CLAIM**

The ornamental design for the dispenser, as shown and described.

DESCRIPTION

FIG. 1 is a first plan view of the dispenser showing my new design;

FIG. 2 is a second plan view thereof;

FIG. 3 is a first side elevation view thereof;

FIG. 4 is a second side elevation view thereof;

FIG. 5 is a first perspective view thereof;

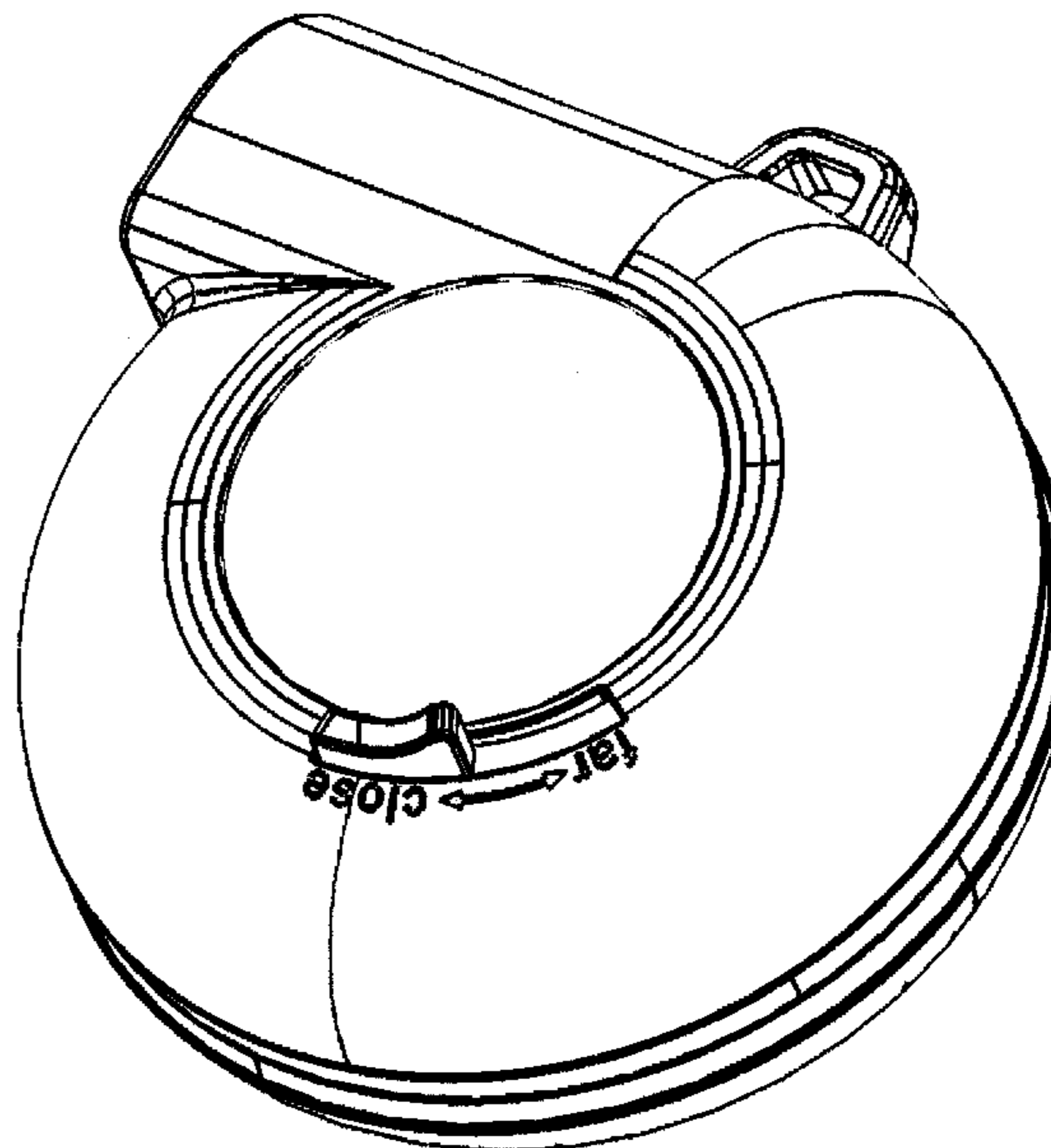
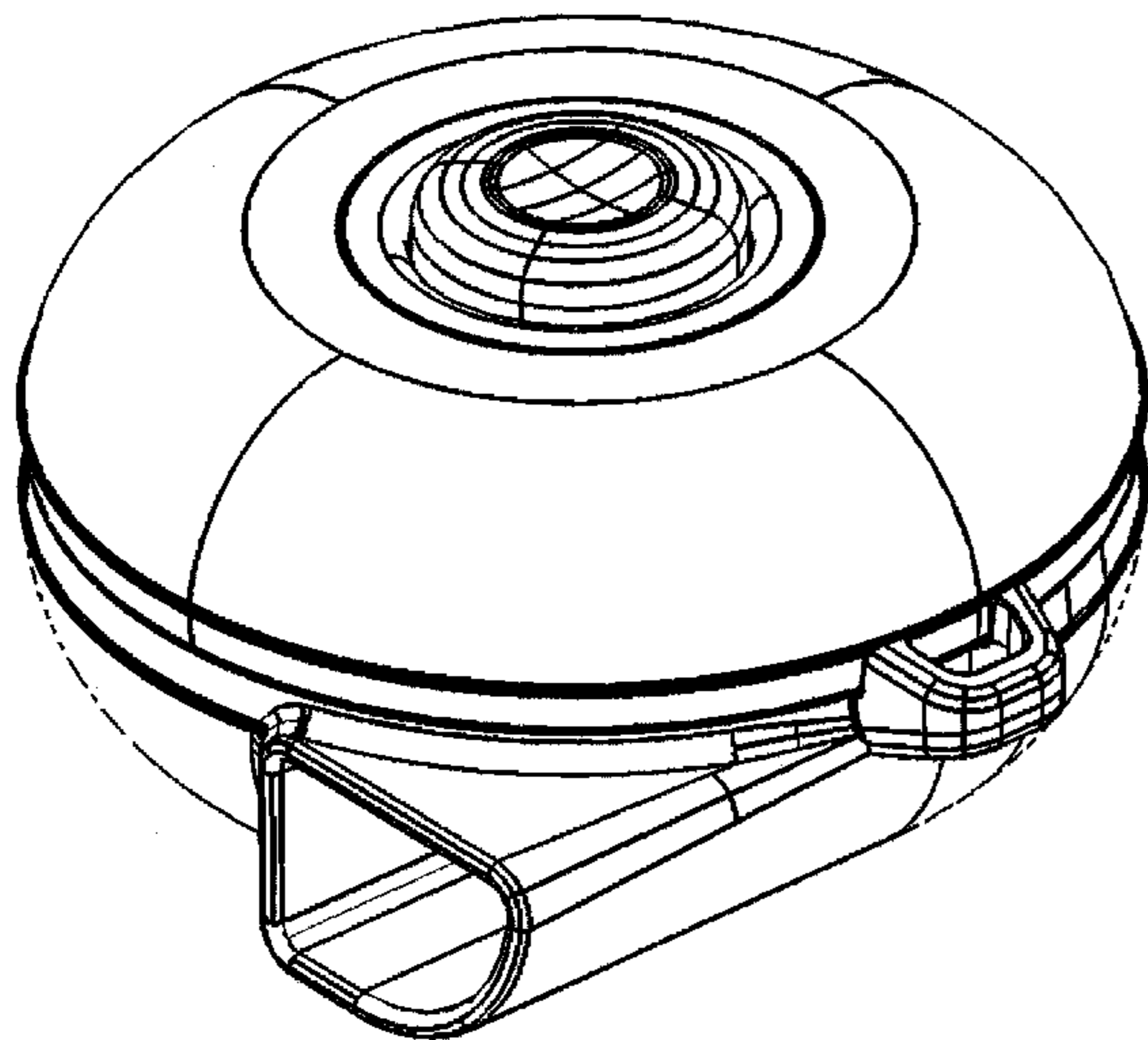
FIG. 6 is a second perspective view thereof;

FIG. 7 is a third perspective view thereof; and,

FIG. 8 is a fourth perspective view thereof.

The broken line portion of FIG. 3 is included to show unclaimed subject matter only and forms no part of the claimed design.

1 Claim, 8 Drawing Sheets



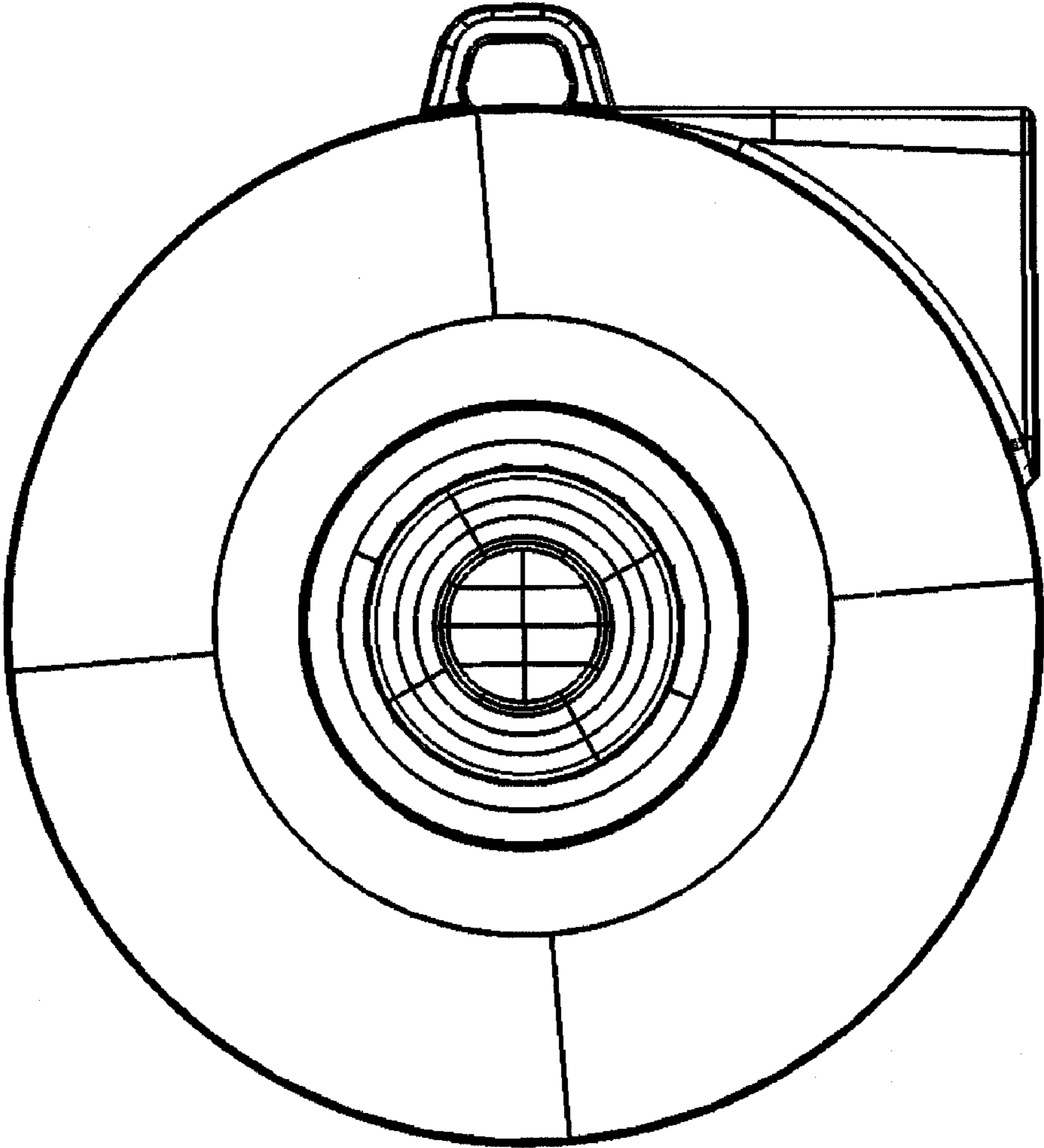


Figure 1

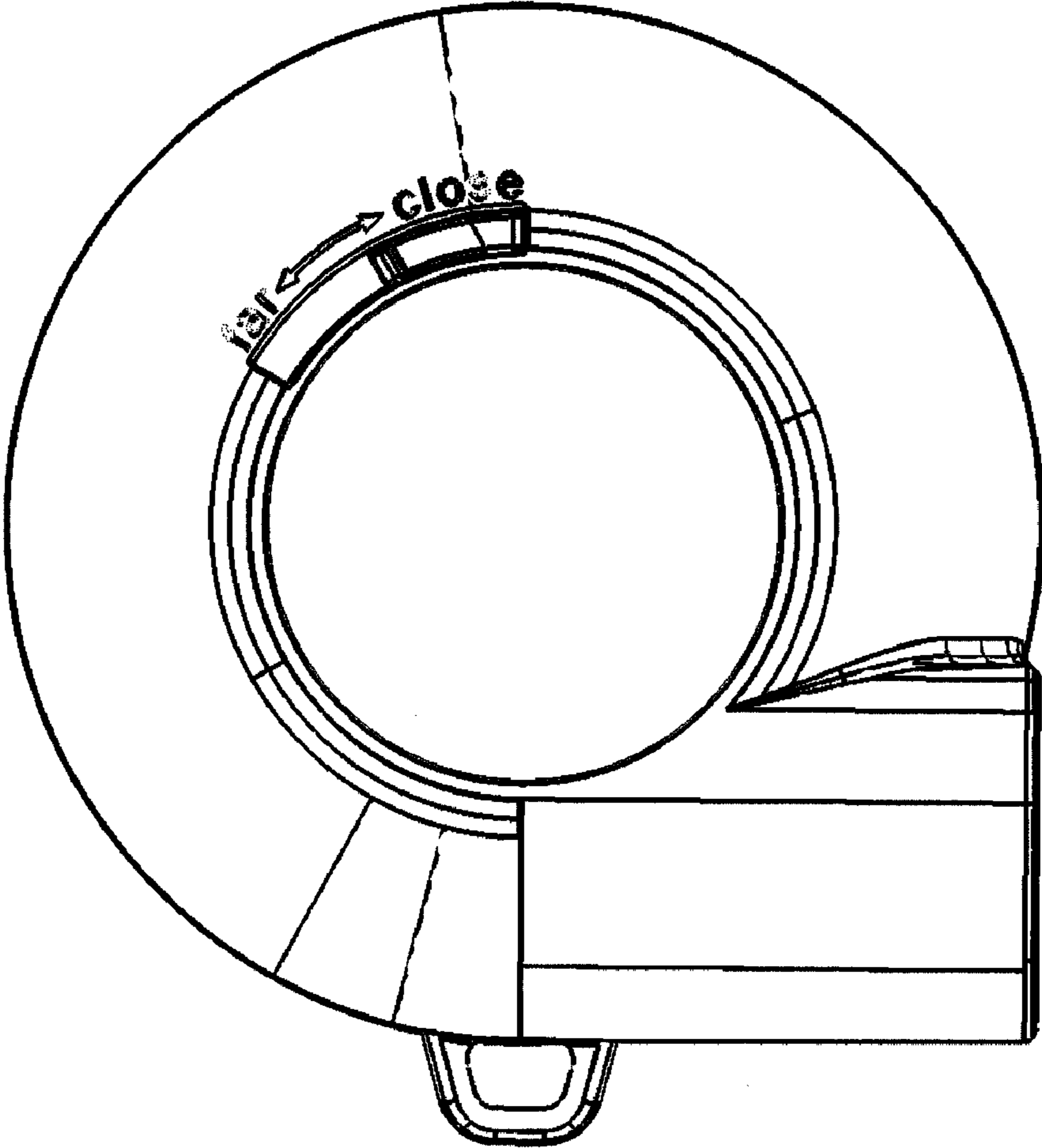


Figure 2

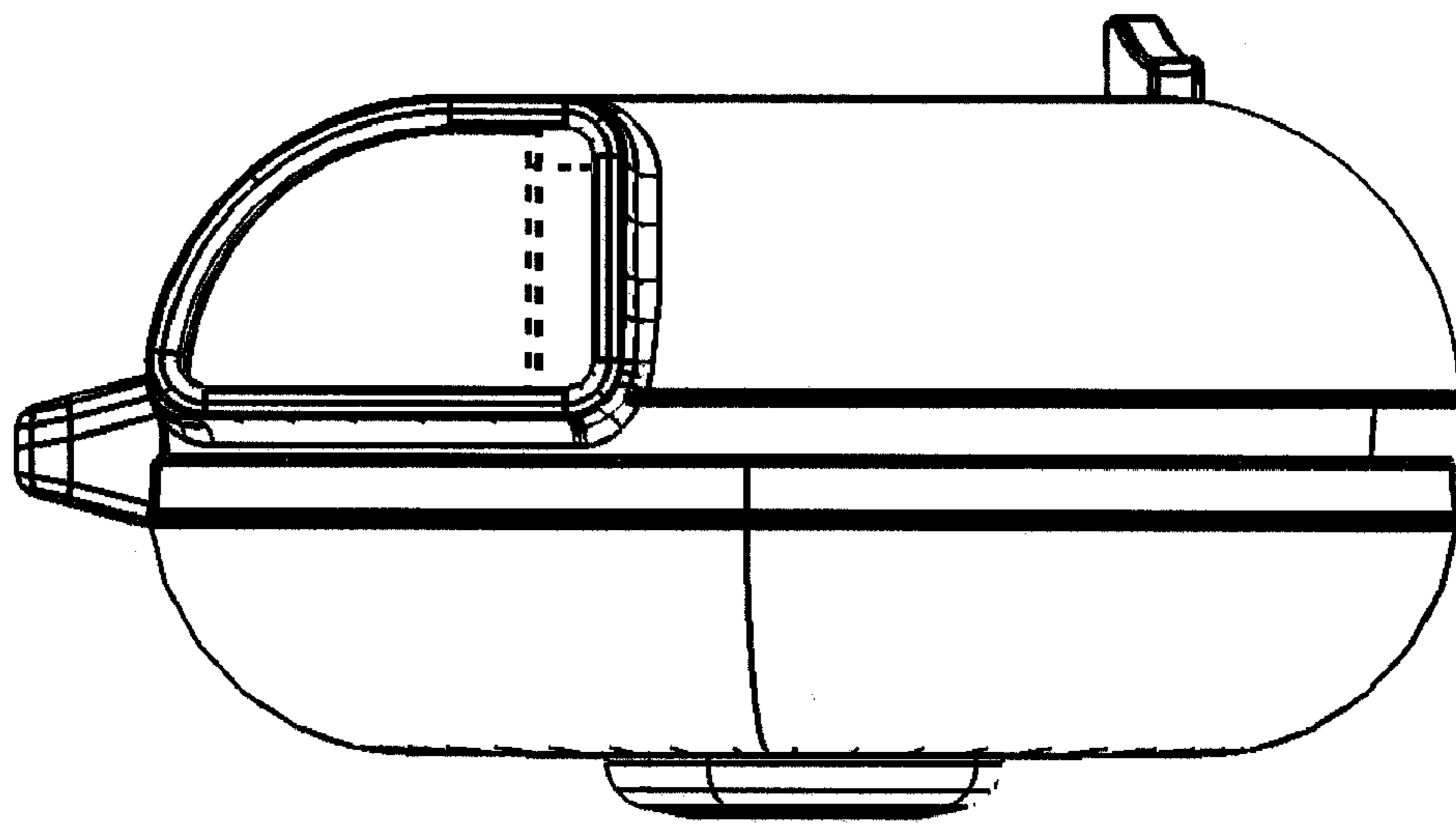


Figure 3

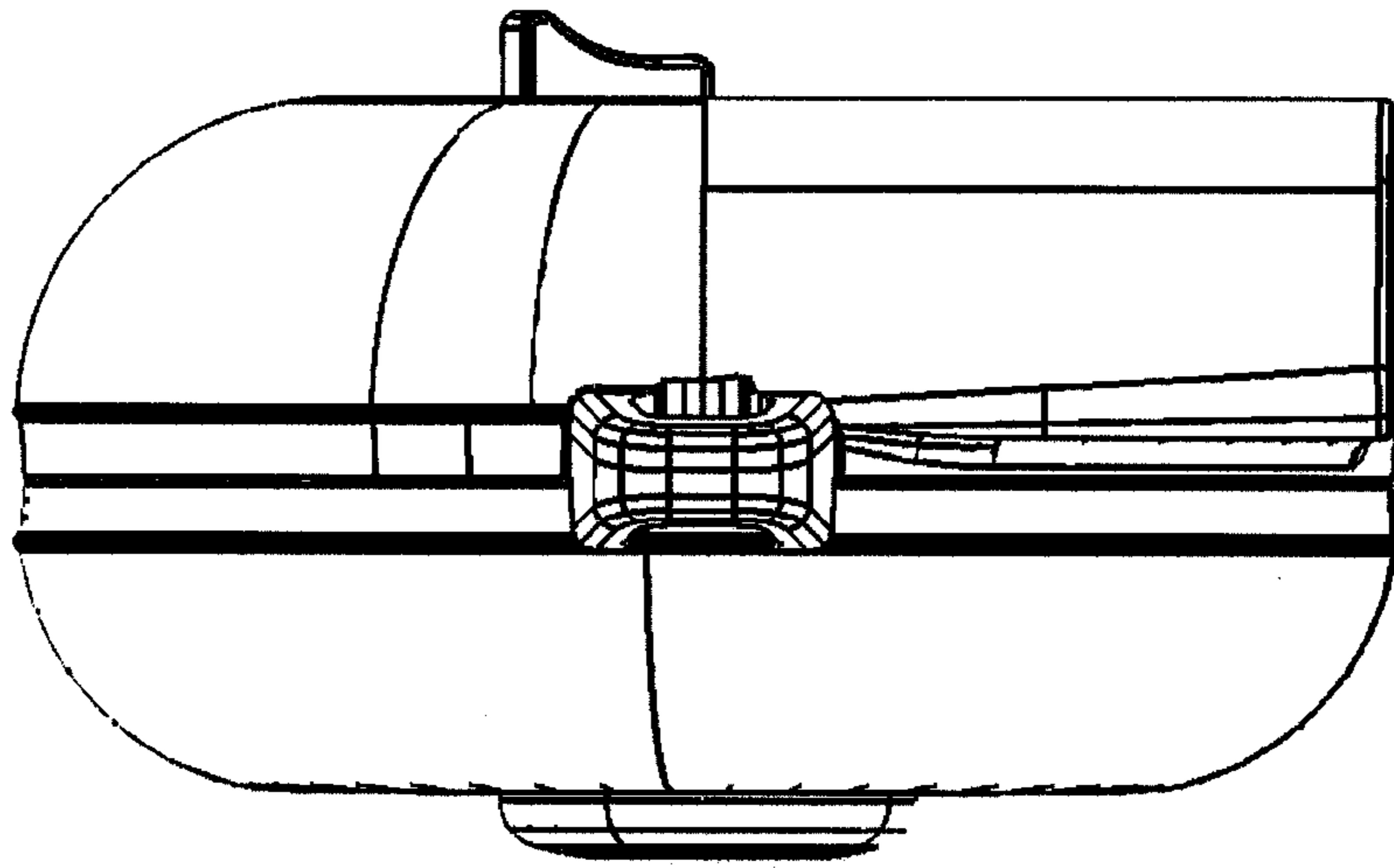


Figure 4

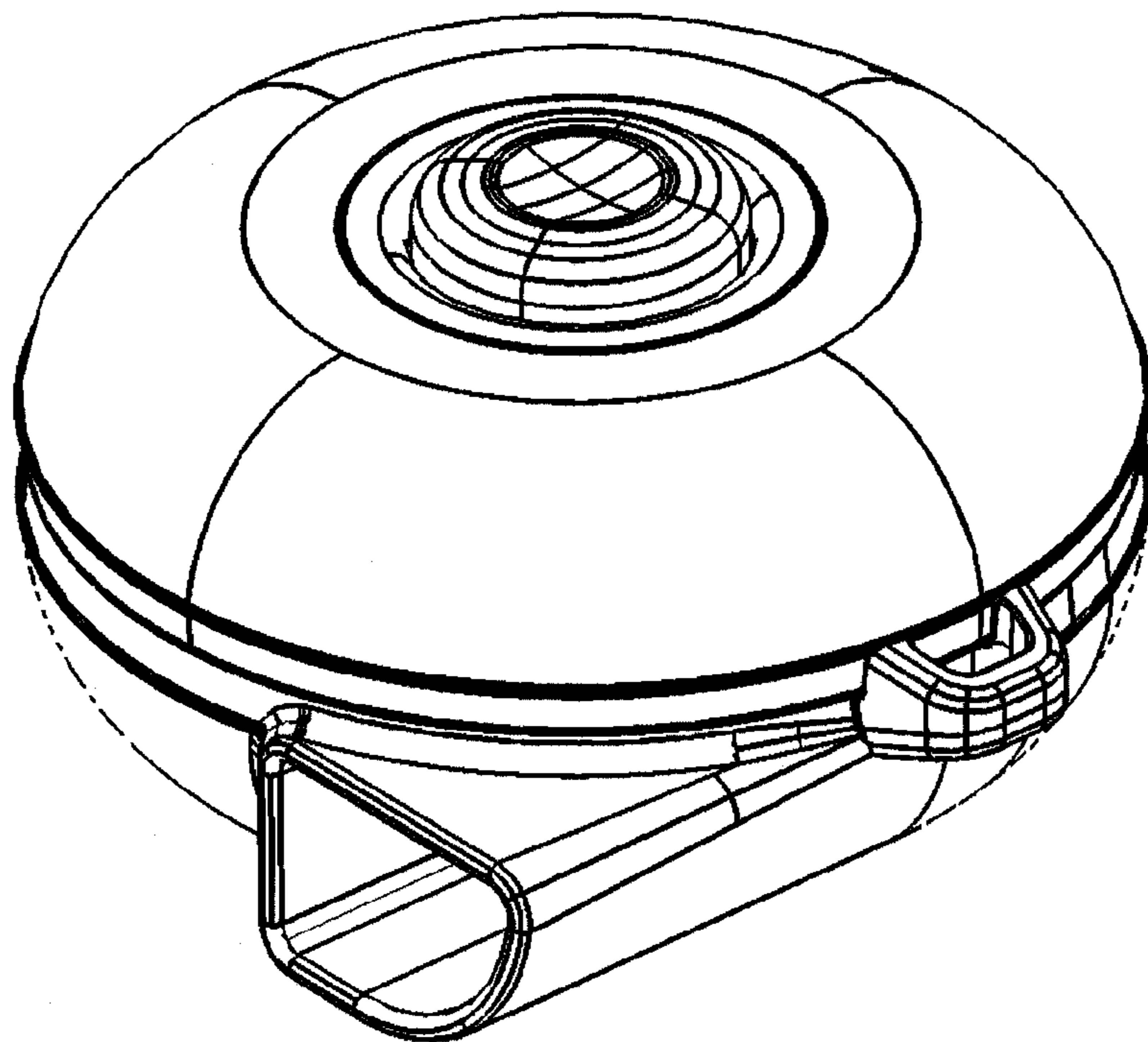


Figure 5

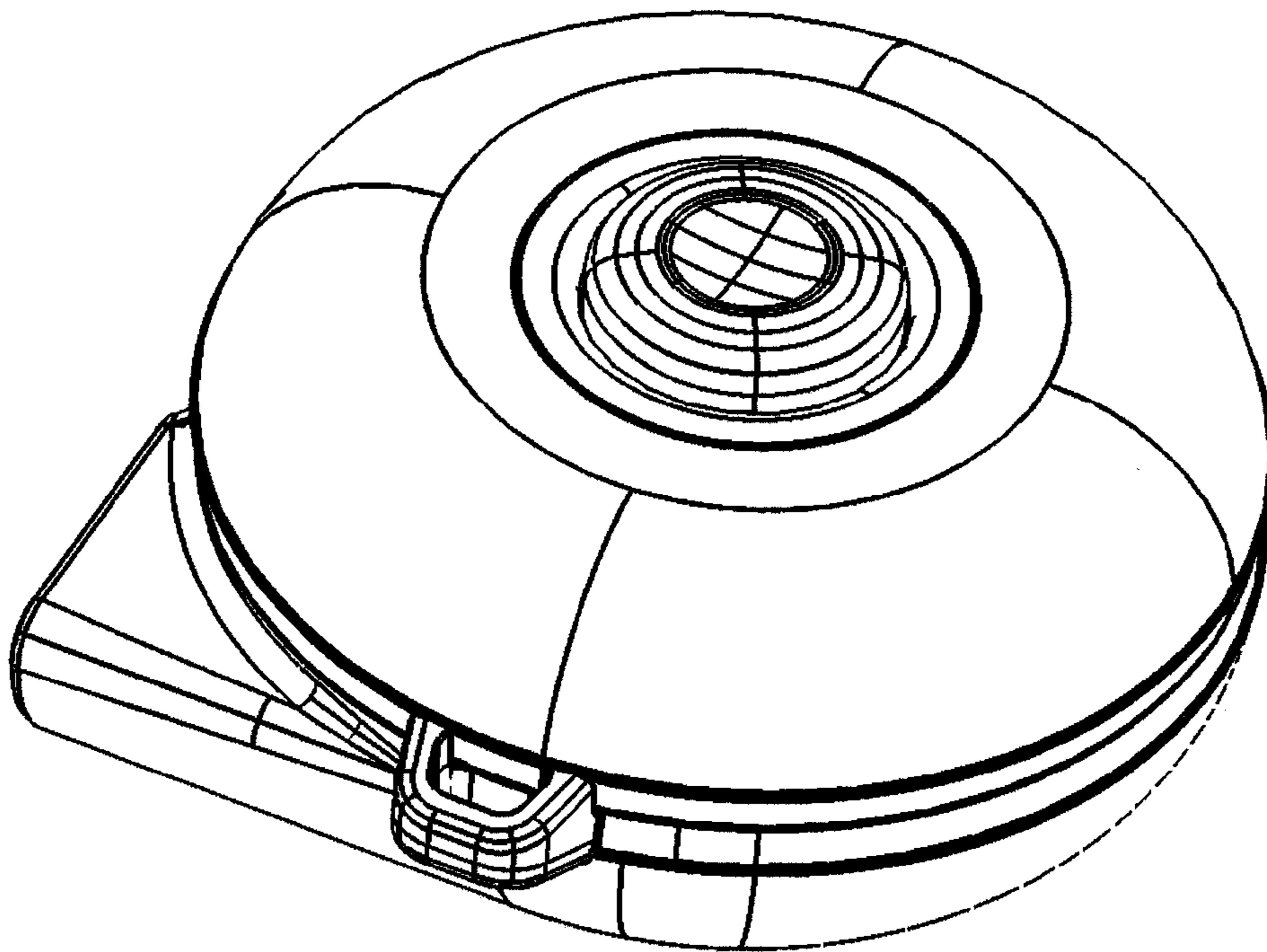


Figure 6

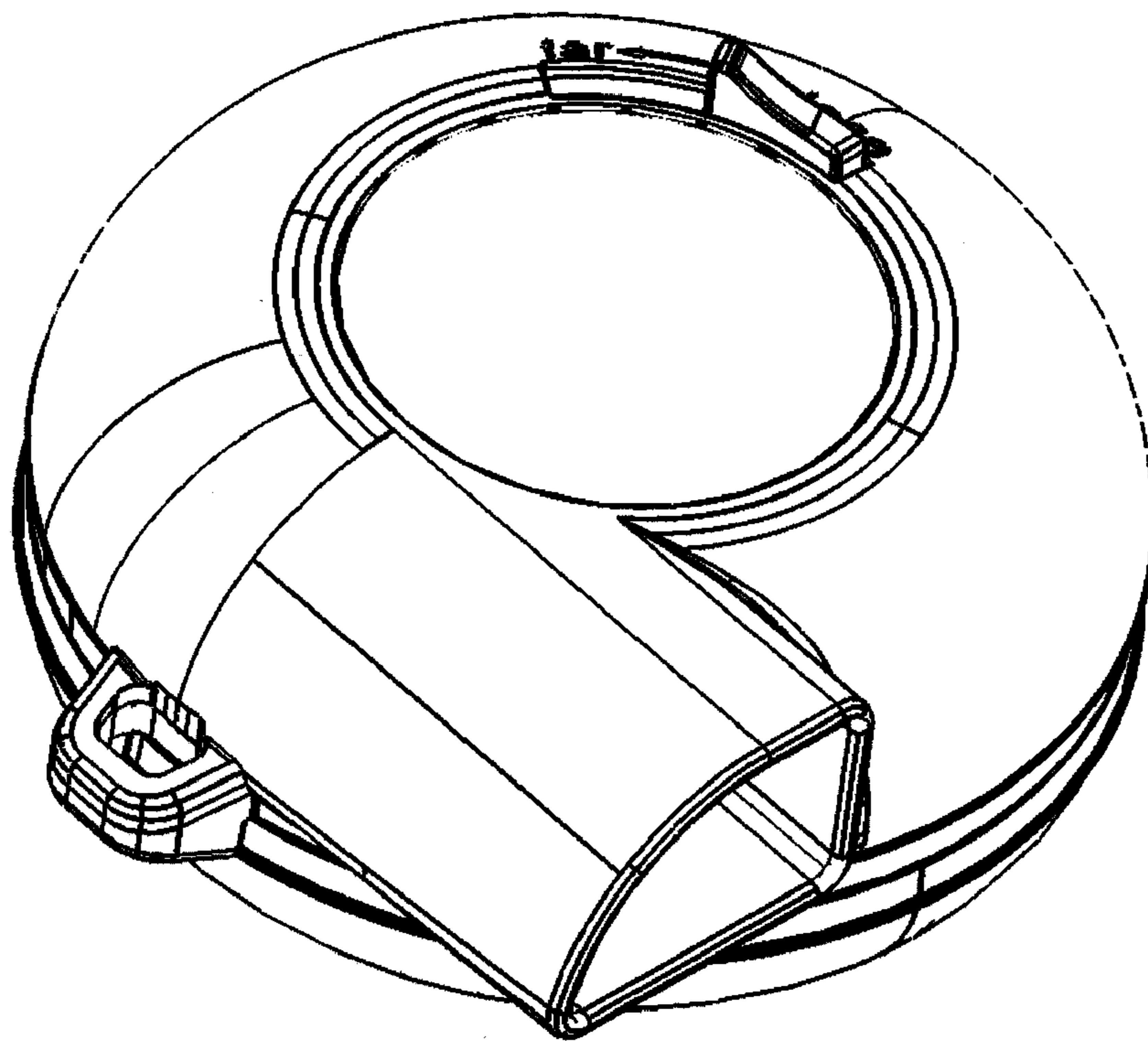


Figure 7

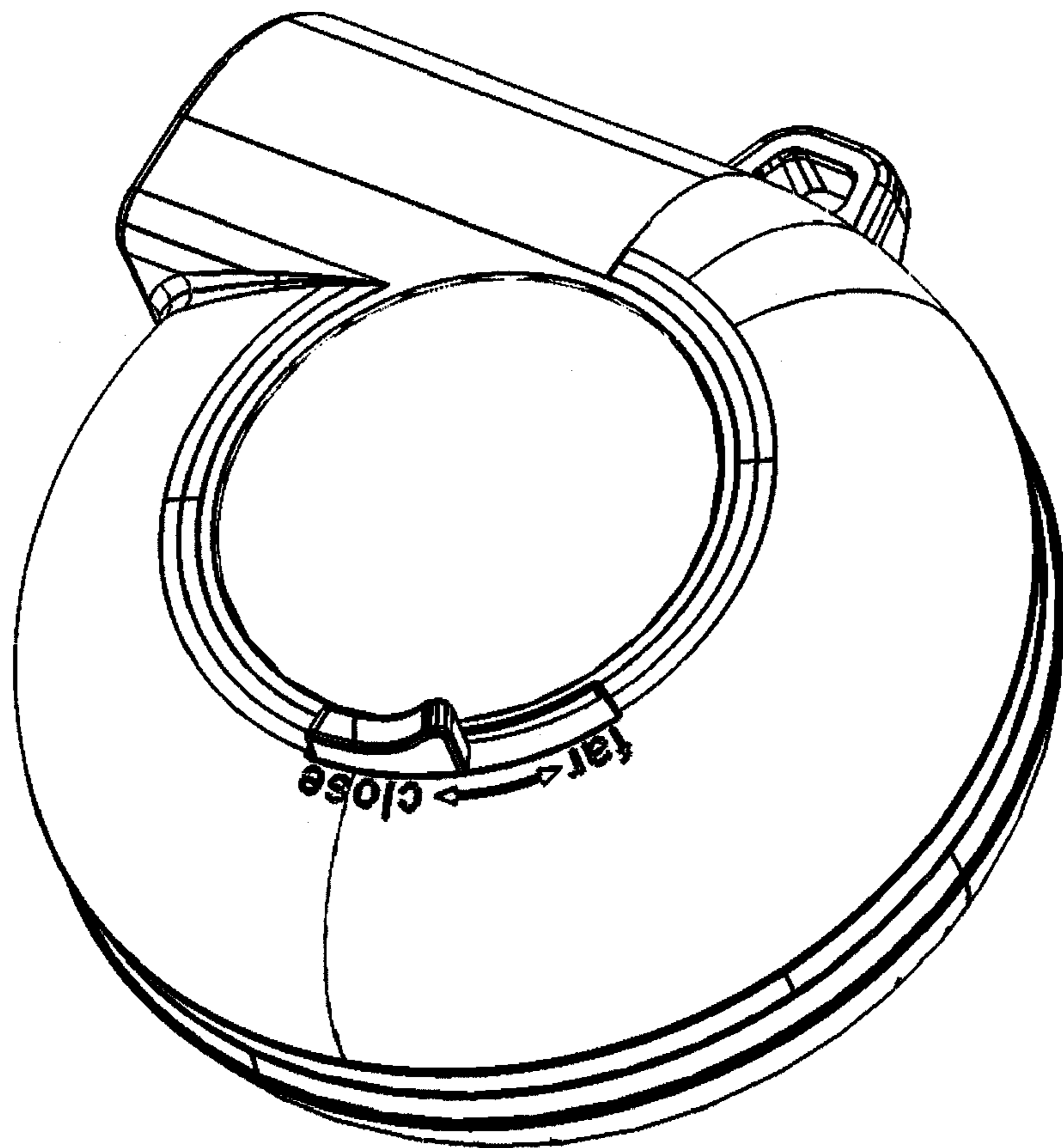


Figure 8