



US00D642479S

(12) **United States Design Patent**
Azar

(10) **Patent No.:** **US D642,479 S**

(45) **Date of Patent:** **** Aug. 2, 2011**

(54) **CONTAINER**

(75) Inventor: **Isaac Azar**, Brooklyn, NY (US)

(73) Assignee: **Fantasia Accessories, Ltd.**, New York, NY (US)

(**) Term: **14 Years**

(21) Appl. No.: **29/368,202**

(22) Filed: **Aug. 20, 2010**

(51) **LOC (9) Cl.** **09-01**

(52) **U.S. Cl.** **D9/668**

(58) **Field of Classification Search** D3/270,
D3/271.1, 271.9; D9/600, 632, 668, 434,
D9/451; 206/457, 527; 215/400; 220/890;
D7/514-515, 619.2, 628, 392.1, 900-901;
D21/713

See application file for complete search history.

(56) **References Cited**

U.S. PATENT DOCUMENTS

D283,009 S *	3/1986	Jennette	D9/668
D287,767 S *	1/1987	Simmons	D7/901
D329,539 S *	9/1992	Klien et al.	D3/271.9
D357,541 S *	4/1995	Neidell	D9/451
D383,979 S *	9/1997	Tucker	D9/451

D405,639 S *	2/1999	Clark et al.	D7/515
D431,183 S *	9/2000	Beals	D9/668
D474,593 S *	5/2003	Bond et al.	D7/515
D482,282 S *	11/2003	Angeletta	D9/451
D592,071 S *	5/2009	Lepoitevin	D9/668

* cited by examiner

Primary Examiner — Sandra Morris

(74) *Attorney, Agent, or Firm* — Ladas & Parry LLP

(57) **CLAIM**

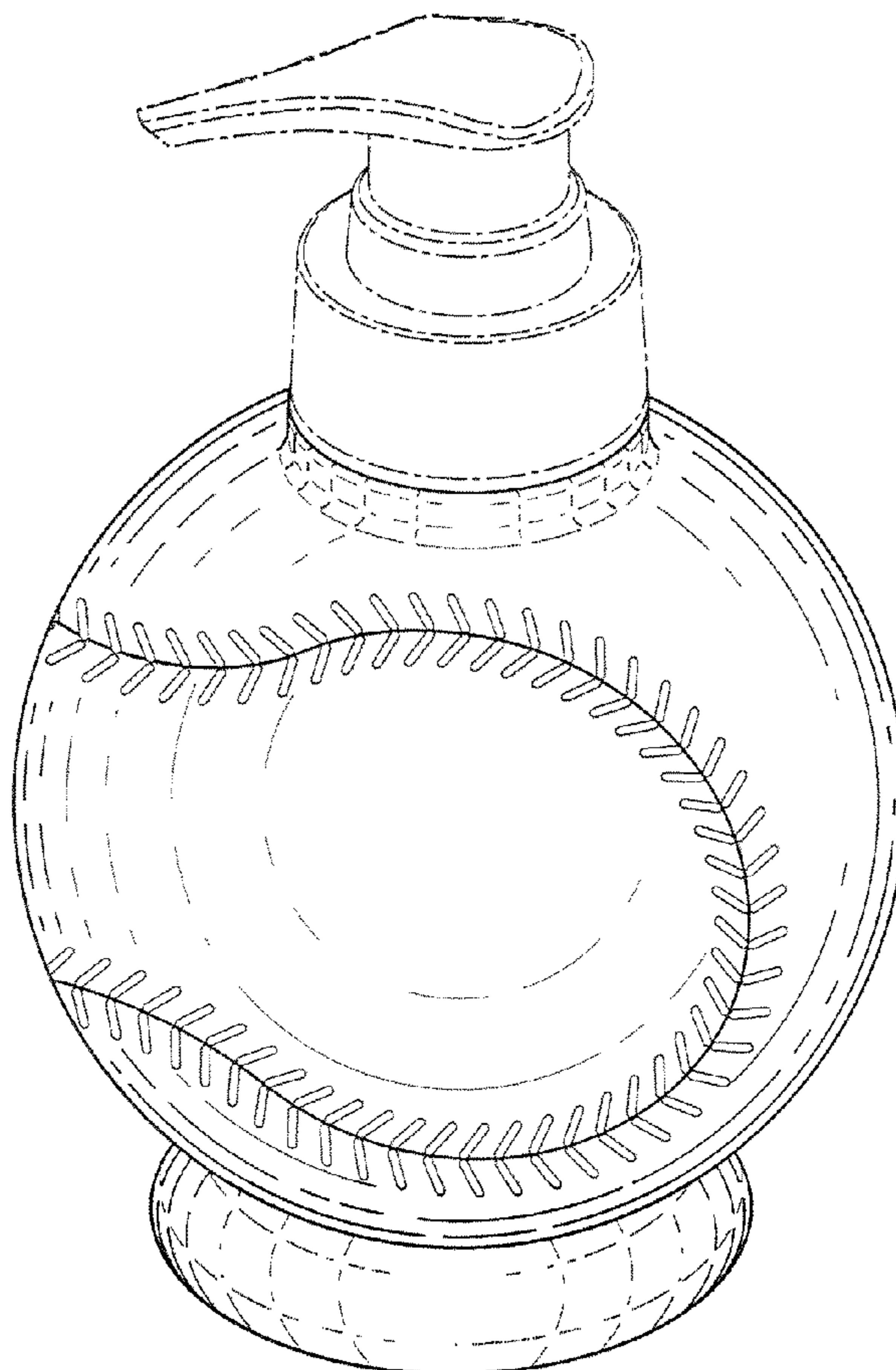
The ornamental design for a container, as shown and described.

DESCRIPTION

FIG. 1 is a right side perspective view of a container showing my new design;
FIG. 2 is a front elevation view thereof;
FIG. 3 is a right side elevation view thereof;
FIG. 4 is a rear elevation view thereof;
FIG. 5 is a left side elevation view thereof;
FIG. 6 is a top plan view thereof; and,
FIG. 7 is bottom plan view thereof.

The broken lines shown in the drawings are included for the purpose of illustrating environmental structure and form no part of the claimed design.

1 Claim, 6 Drawing Sheets



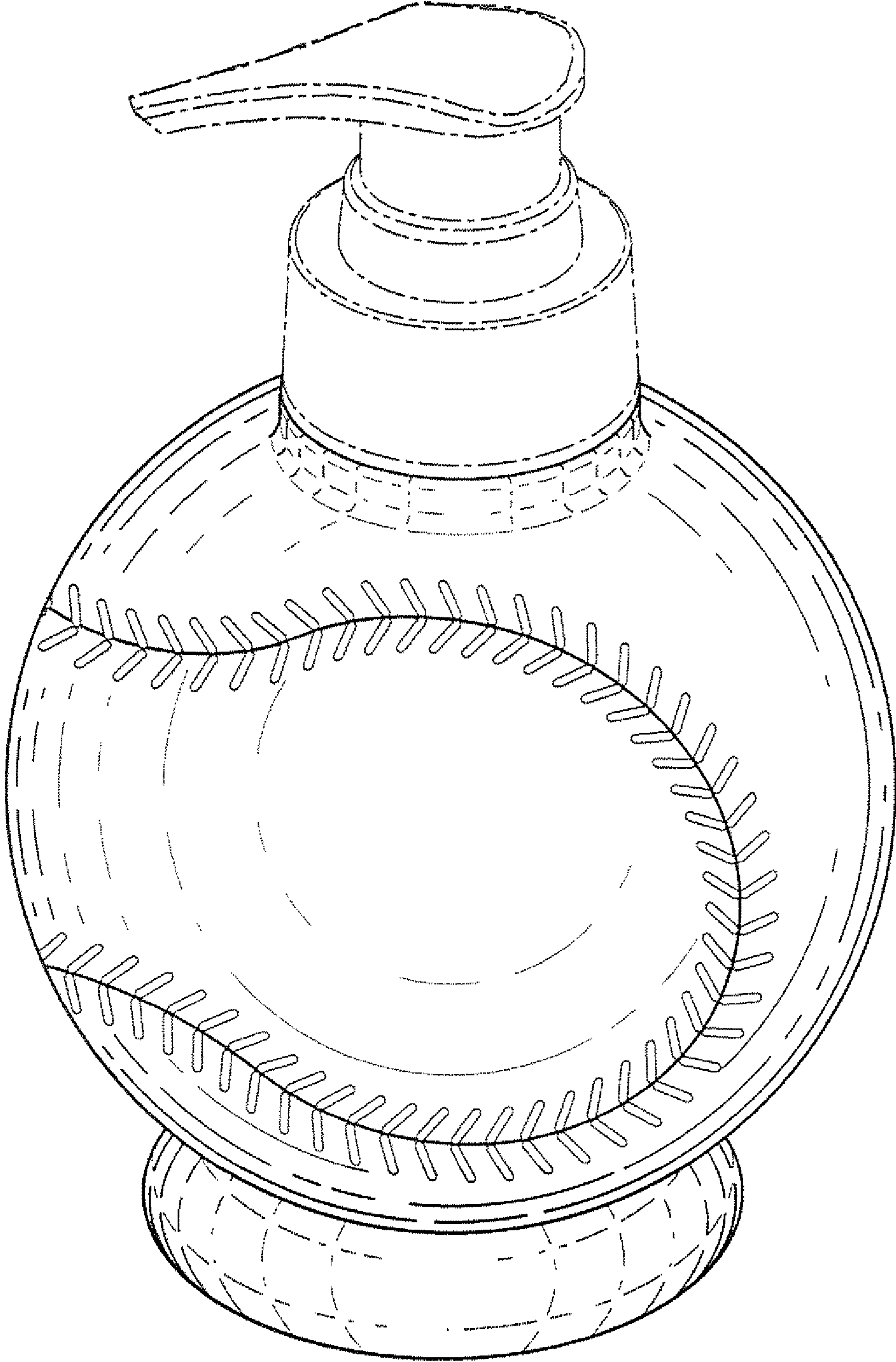


FIG. 1

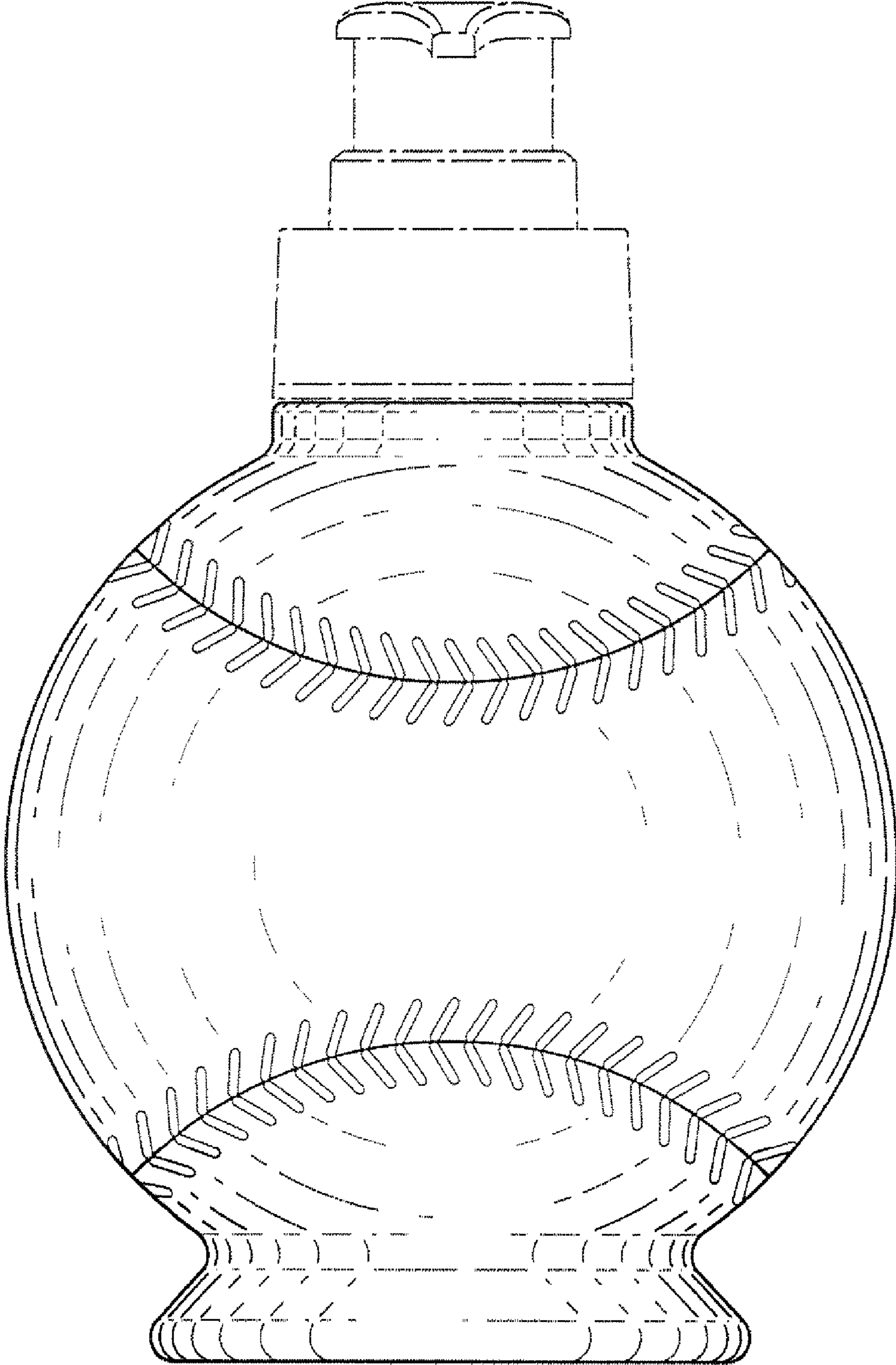


FIG. 2

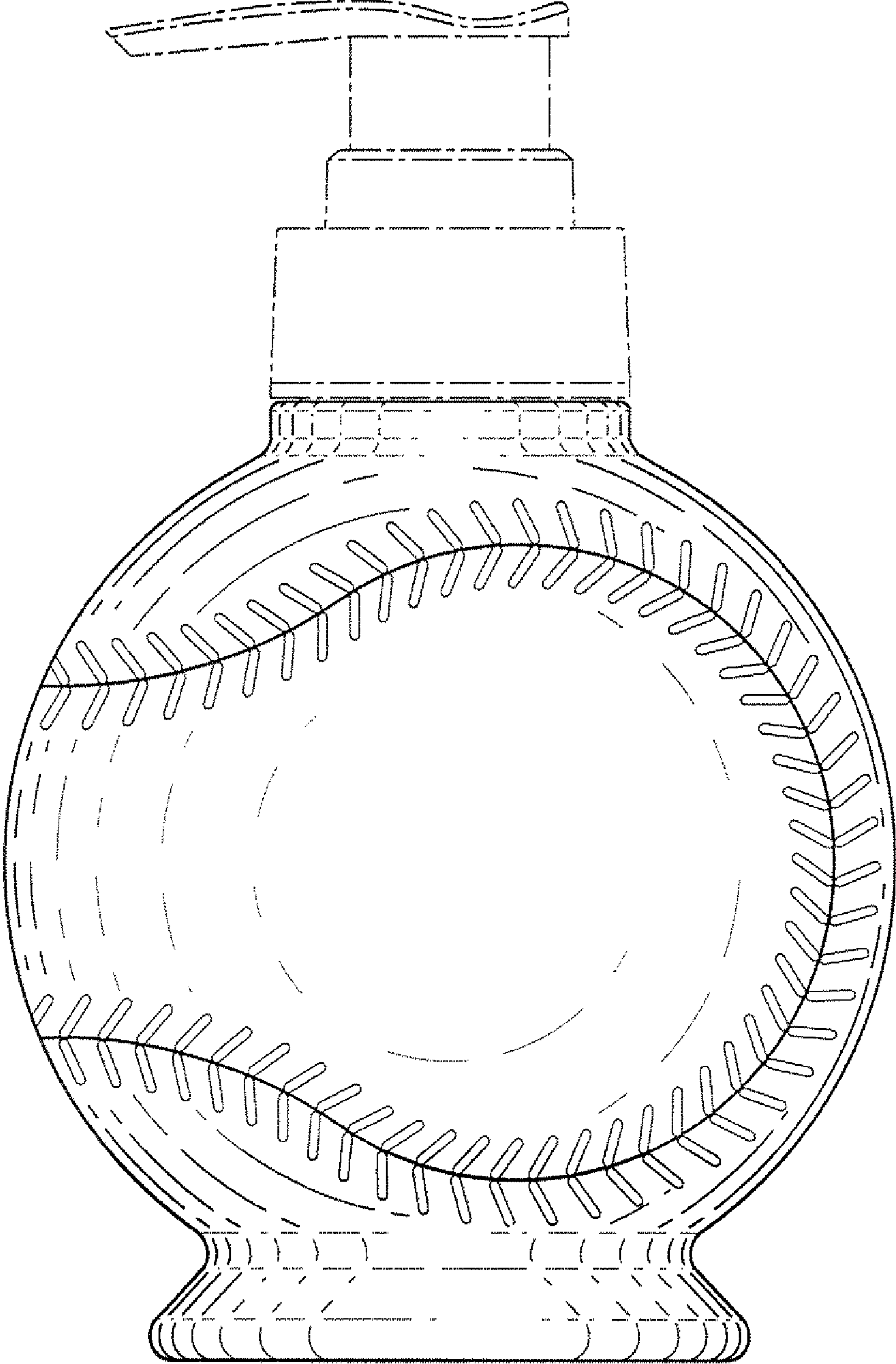


FIG. 3

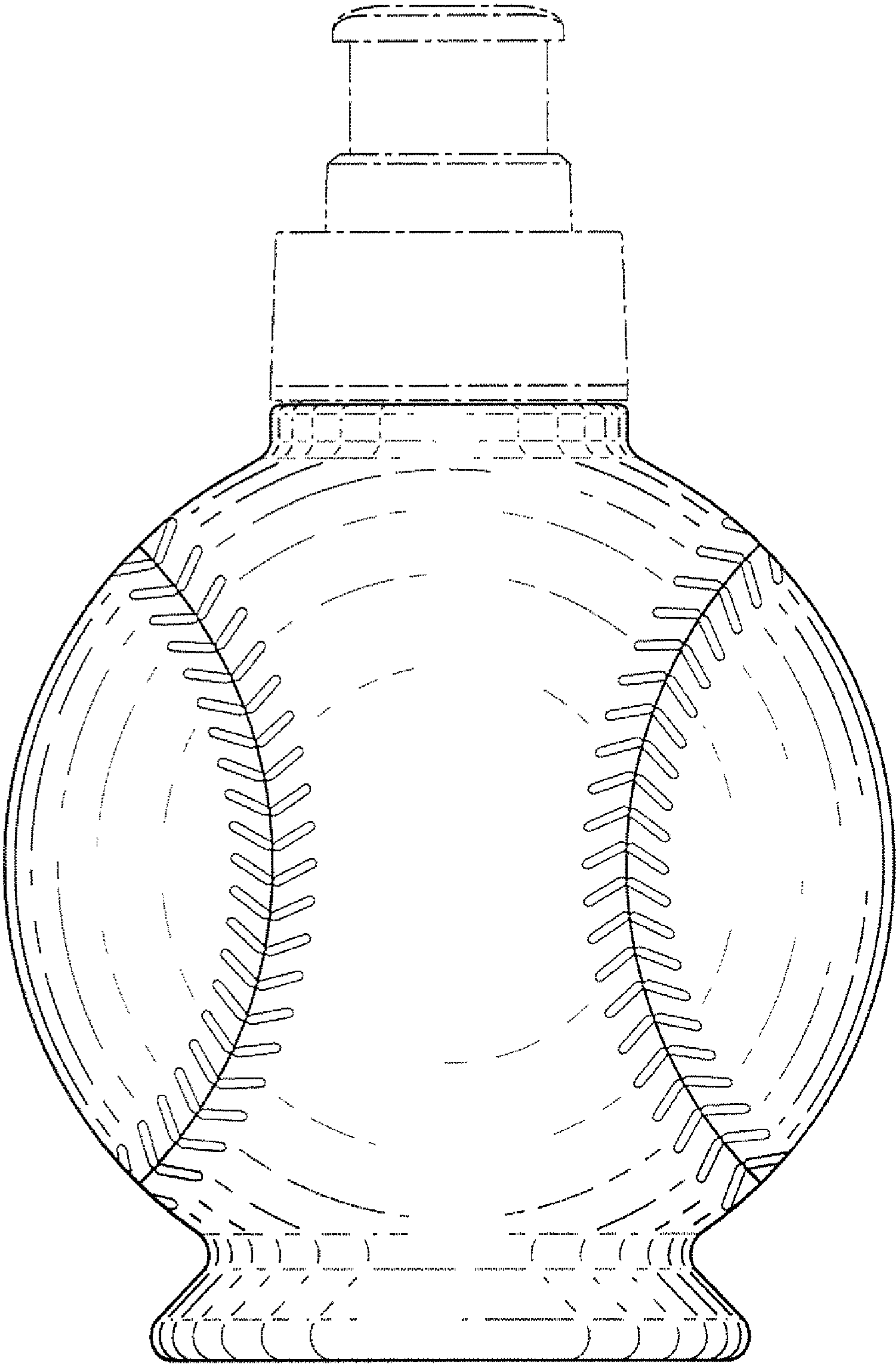


FIG. 4

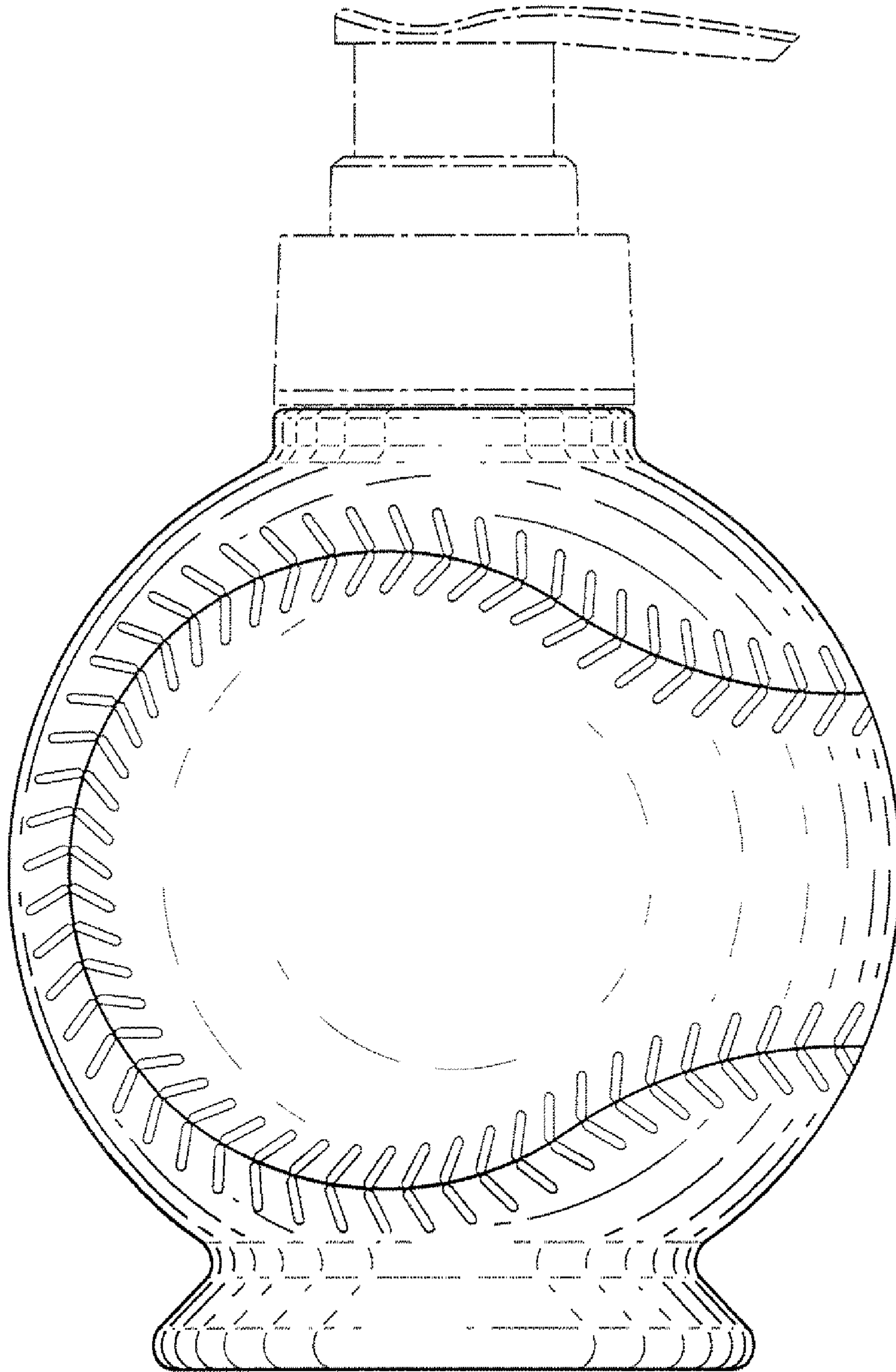


FIG. 5

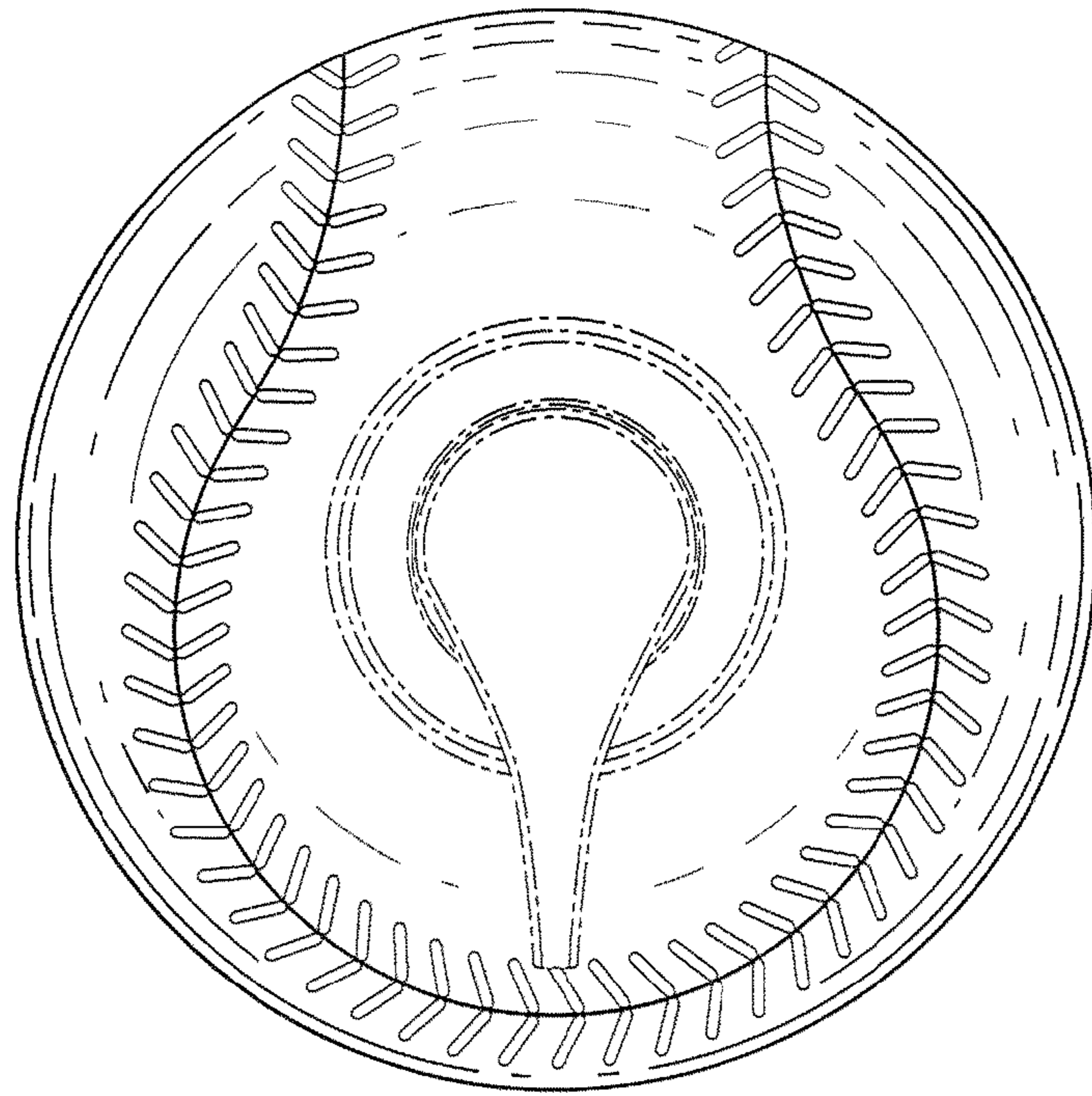


FIG. 6

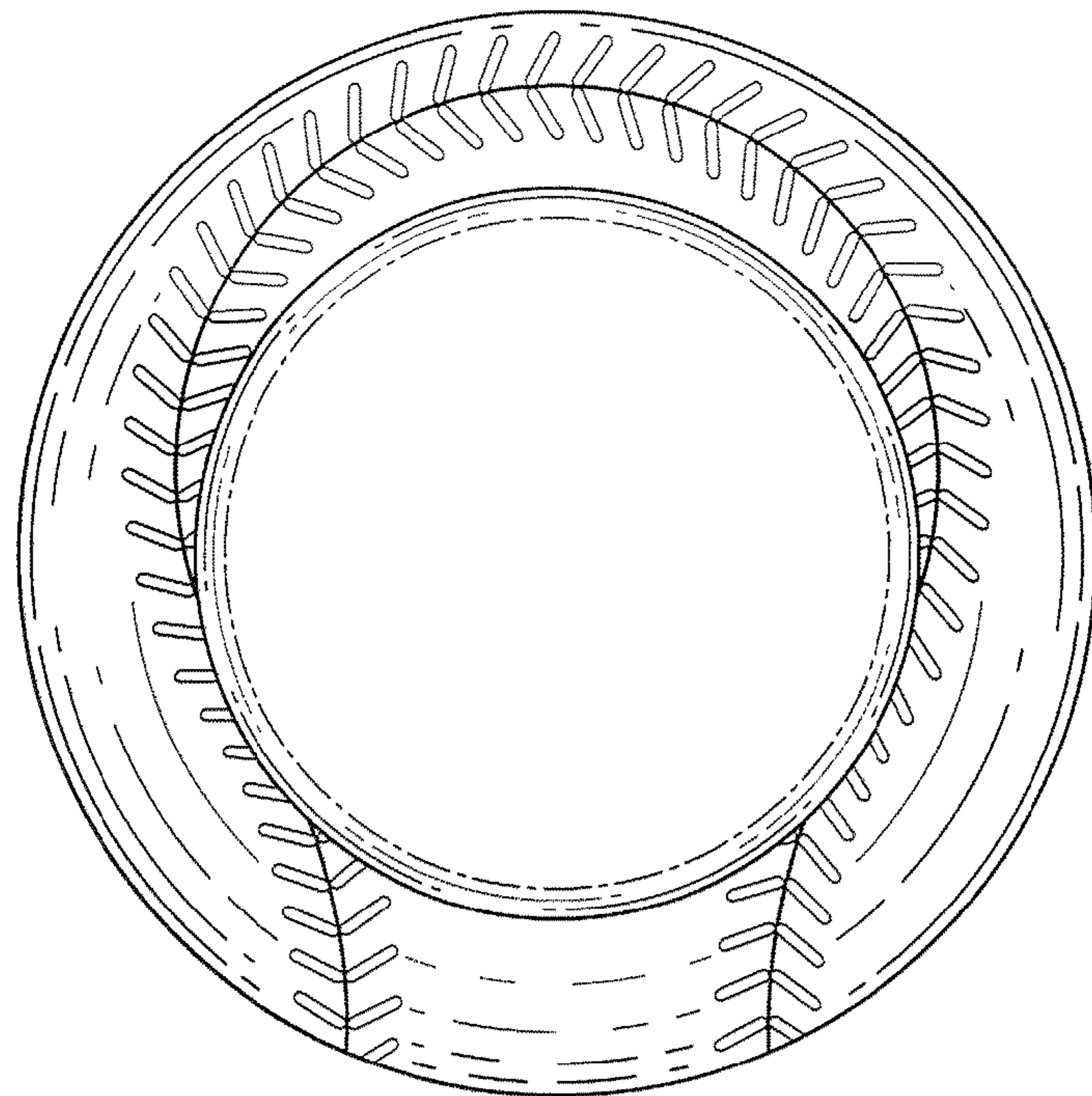


FIG. 7