



US00D642478S

(12) **United States Design Patent**
Ehrmann

(10) **Patent No.:** **US D642,478 S**

(45) **Date of Patent:** **** Aug. 2, 2011**

(54) **LIQUID PUMP DISPENSING CONTAINER**

(76) Inventor: **Scott J. Ehrmann**, West Milford, NJ
(US)

(**) Term: **14 Years**

(21) Appl. No.: **29/347,753**

(22) Filed: **May 13, 2010**

(51) **LOC (9) Cl.** **09-01**

(52) **U.S. Cl.** **D9/573; D9/574**

(58) **Field of Classification Search** D9/682,
D9/685, 686, 687, 688, 689, 690, 691, 516,
D9/520, 529, 542, 549, 558, 560, 572, 573,
D9/574; 215/379, 381-385; 220/600, 602,
220/608, 609, 660, 662, 665, 669, 675; 222/394,
222/395, 396, 397, 399, 400.5, 400.7, 400.8,
222/401, 251, 566, 567, 568, 207, 209, 215,
222/212, 182

See application file for complete search history.

(56) **References Cited**

U.S. PATENT DOCUMENTS

2,024,570	A *	12/1935	Fischman	222/182
2,029,743	A *	2/1936	Spender	222/321.6
2,586,687	A *	2/1952	Mellon	222/182
D194,071	S *	11/1962	Anderson	D9/523
D194,132	S *	11/1962	Countryman	D9/542
3,361,304	A *	1/1968	Thompson	222/190
3,727,803	A *	4/1973	Cobb	222/215
D244,991	S *	7/1977	Weckman et al.	D9/685
D248,832	S *	8/1978	Weckman	D9/543
D260,610	S *	9/1981	Grip	D9/571
D273,564	S *	4/1984	Spielhoff	D9/573
D275,078	S *	8/1984	Wassergord et al.	D9/685
D279,261	S *	6/1985	Blocksom et al.	D9/571
D306,399	S *	3/1990	Rumney	D9/573
D314,507	S *	2/1991	Brabeck et al.	D9/685
5,056,685	A *	10/1991	Wild	222/82
5,056,689	A *	10/1991	Heyl et al.	222/189.06
D332,392	S *	1/1993	Foster et al.	D9/685
D346,334	S *	4/1994	Ahlsvik	D9/548

D354,443	S *	1/1995	Granai	D9/573
D368,023	S *	3/1996	Leung	D9/694
D386,970	S *	12/1997	McCallister et al.	D9/520
D391,495	S *	3/1998	Dinand	D9/573
D405,015	S *	2/1999	Kotyuk	D9/573
5,865,349	A *	2/1999	Cancilla	222/212
D422,493	S *	4/2000	Clarke	D9/658
6,059,152	A *	5/2000	Mayfield	222/382
D432,922	S *	10/2000	Gose	D9/571
D433,938	S *	11/2000	Polan	D9/560
D449,230	S *	10/2001	Harris et al.	D9/558
D466,812	S *	12/2002	Yang	D9/448
D470,750	S *	2/2003	Yang	D9/694
D480,005	S *	9/2003	Conway	D9/530
D498,146	S *	11/2004	Densky et al.	D9/571
D514,448	S *	2/2006	Kuzma et al.	D9/563
D523,756	S *	6/2006	Considine et al.	D9/573
D536,982	S *	2/2007	Conway	D9/523
D538,675	S *	3/2007	Dalton	D9/573
D558,587	S *	1/2008	Gibson et al.	D9/571

(Continued)

Primary Examiner — Stella Reid

Assistant Examiner — Elizabeth J Oswecki

(74) *Attorney, Agent, or Firm* — James F. Cottone

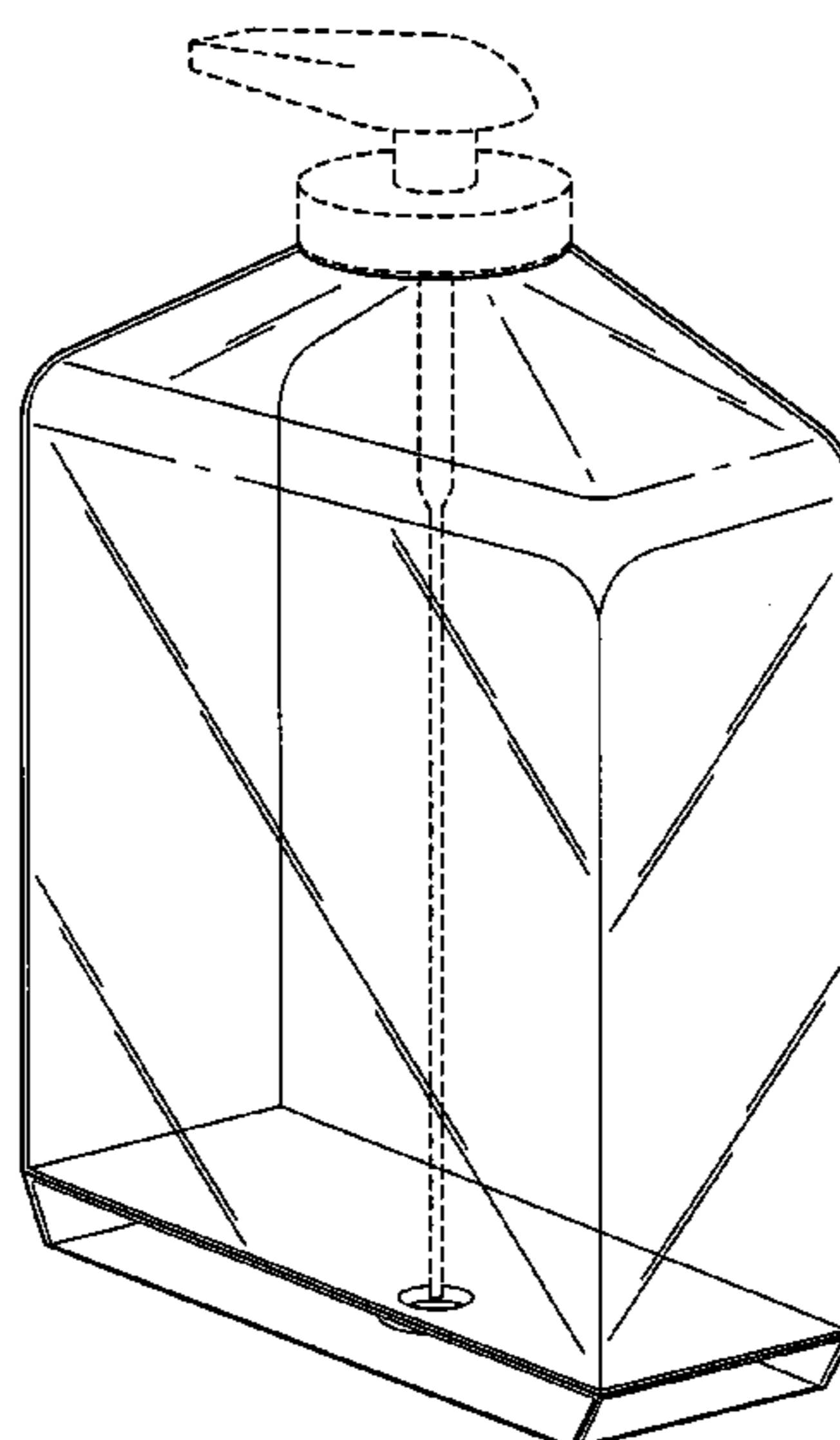
(57) **CLAIM**

The ornamental design for a liquid pump dispensing container, as shown and described.

DESCRIPTION

FIG. 1 is a left, rear perspective view of a liquid pump dispensing container showing my new design; FIG. 2 is a front elevation view thereof; FIG. 3 is a top plan view thereof; FIG. 4 is a side elevational view thereof, the other side being a mirror image thereof; FIG. 5 is a rear elevational view thereof; and, FIG. 6 is a bottom plan view thereof. In the drawings, the broken lines of the liquid pump dispensing container depict portions of the design that form no part of the claim.

1 Claim, 2 Drawing Sheets



US D642,478 S

Page 2

U.S. PATENT DOCUMENTS

D578,395 S *	10/2008	Kuzma et al.	D9/522	D614,494 S *	4/2010	Palmer et al.	D9/516
D583,677 S *	12/2008	Harrison et al.	D9/685	D614,958 S *	5/2010	Smith et al.	D9/516
D594,333 S *	6/2009	Casey et al.	D9/516	D623,532 S *	9/2010	Kuzma et al.	D9/552
D594,338 S *	6/2009	Harrison et al.	D9/523	D626,423 S *	11/2010	Lauret	D9/574
D602,785 S *	10/2009	Rothberg et al.	D9/560	2004/0074928 A1 *	4/2004	Joseph Maas et al.	222/383.1

* cited by examiner

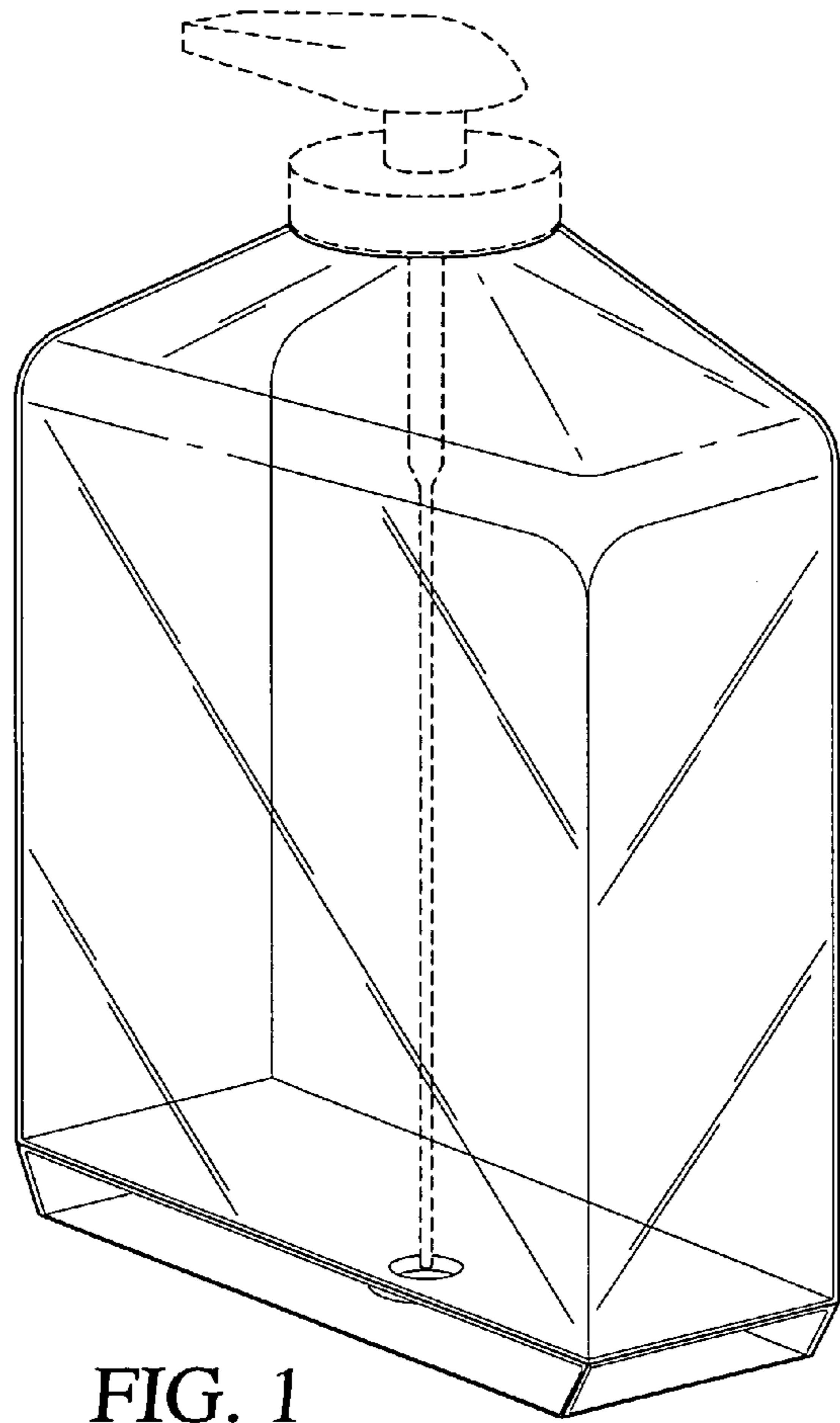


FIG. 1

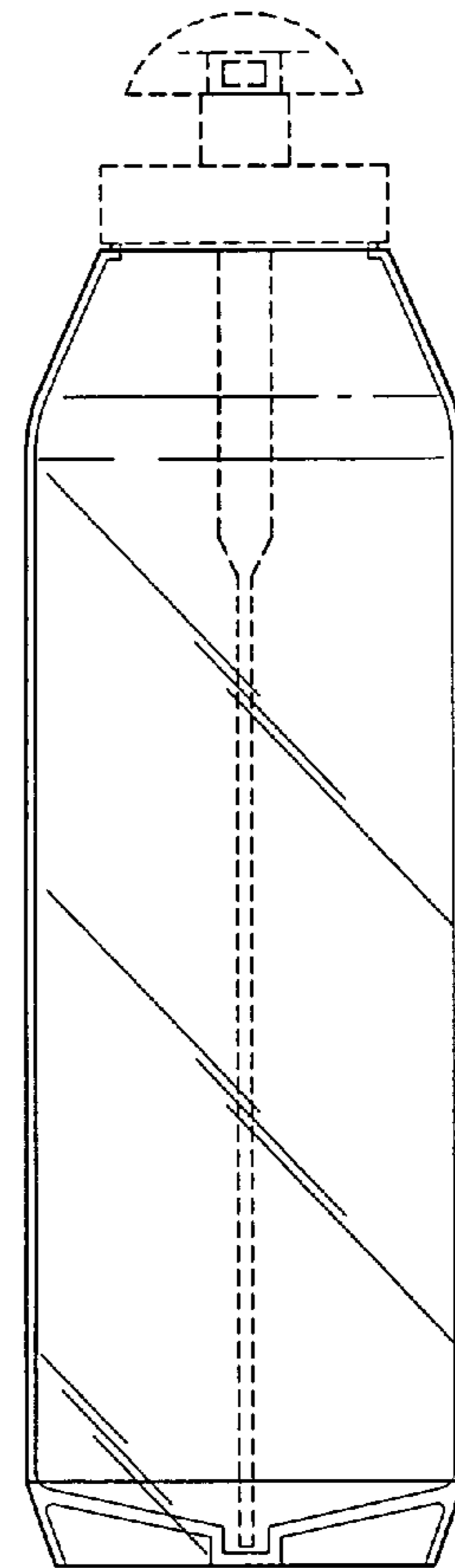


FIG. 2

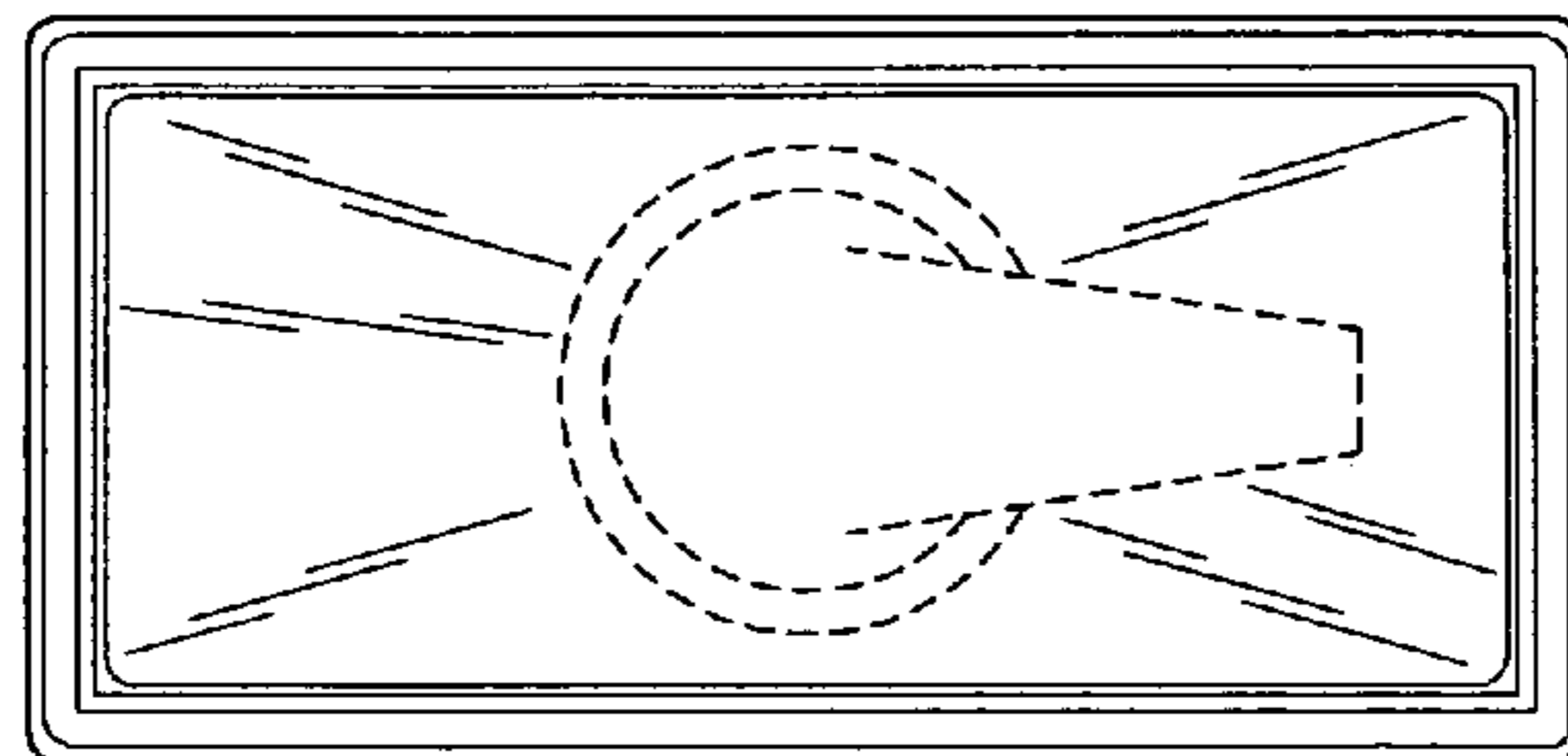


FIG. 3

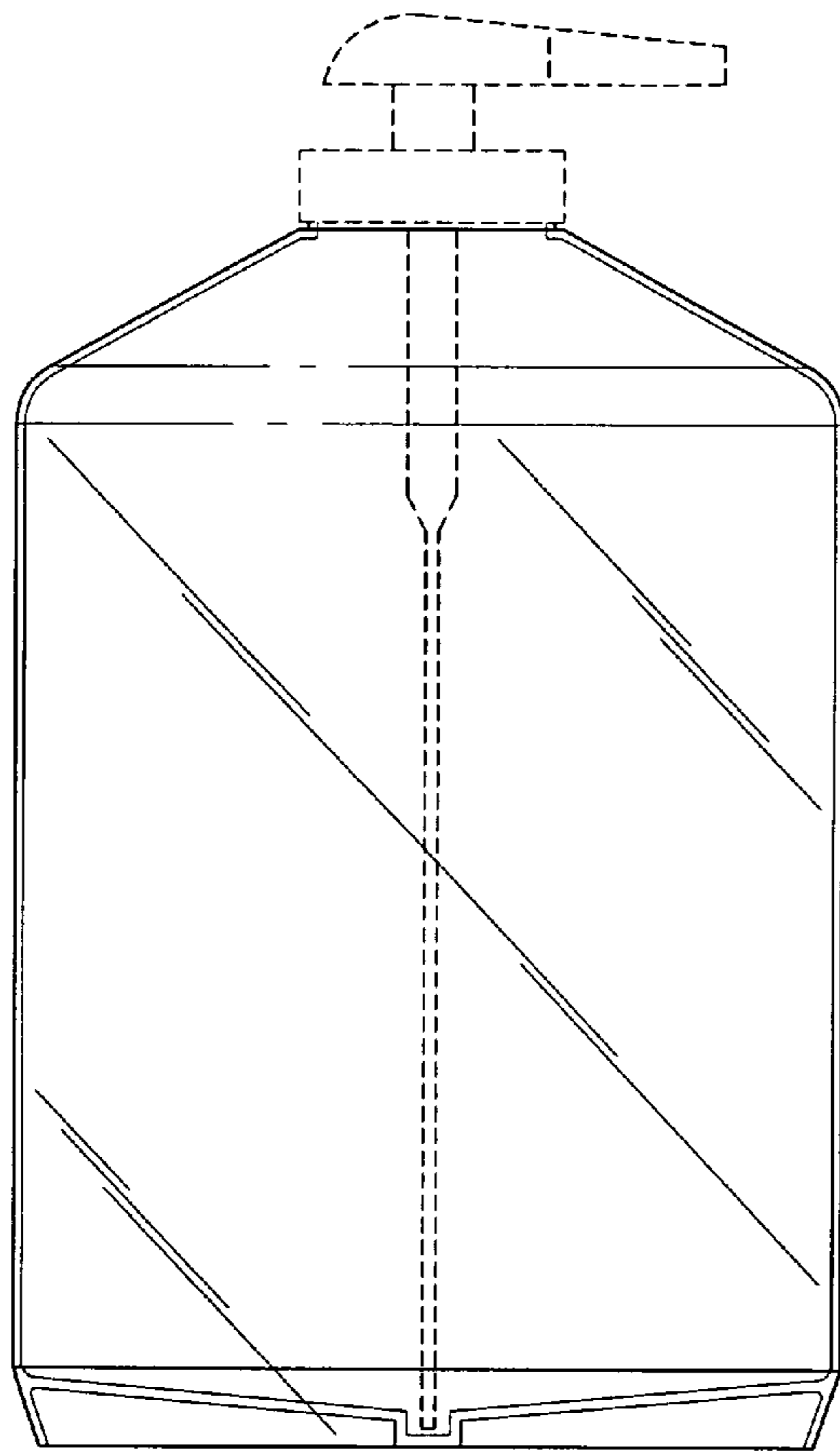


FIG. 4

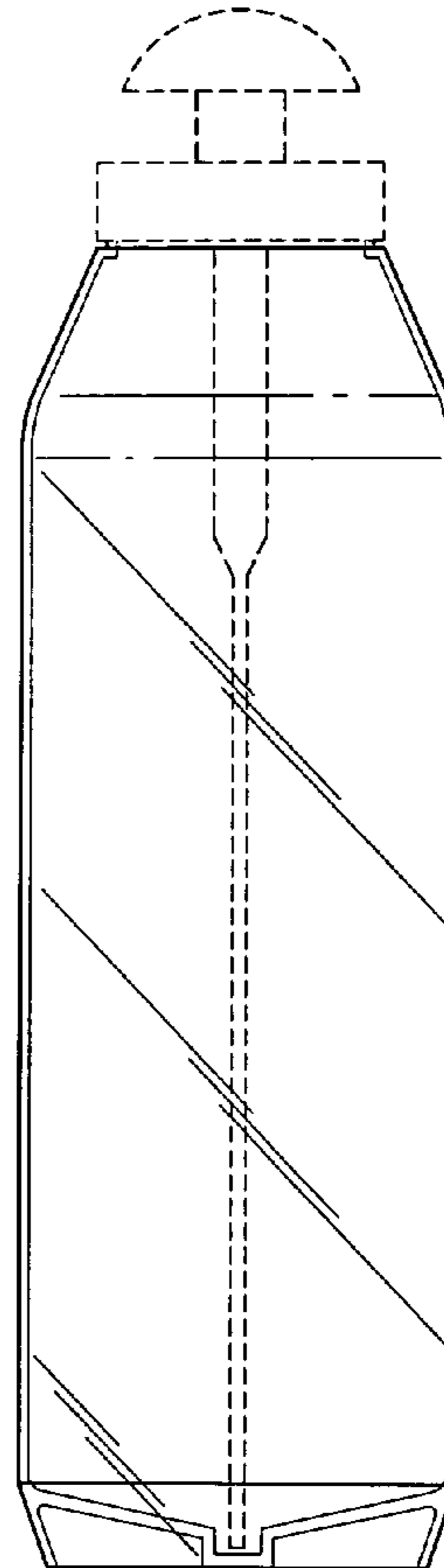


FIG. 5

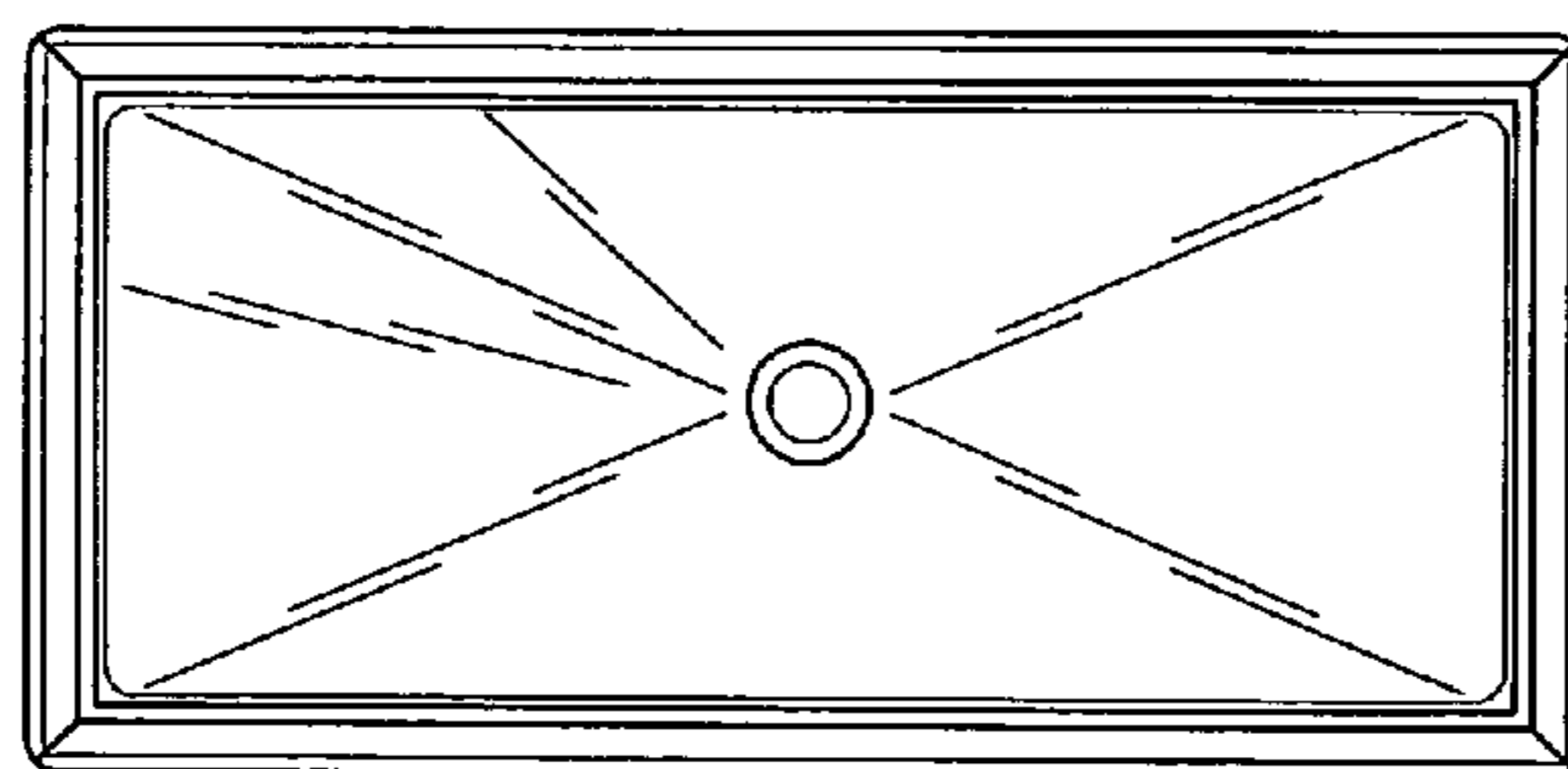


FIG. 6