



US00D642476S

(12) **United States Design Patent**
Krakoff

(10) **Patent No.:** **US D642,476 S**

(45) **Date of Patent:** **** Aug. 2, 2011**

(54) **BOTTLE**

(75) Inventor: **Reed Krakoff**, New York, NY (US)

(73) Assignee: **Reed Krakoff LLC**, New York, NY (US)

(**) Term: **14 Years**

(21) Appl. No.: **29/375,507**

(22) Filed: **Sep. 23, 2010**

(51) **LOC (9) Cl.** **09-01**

(52) **U.S. Cl.** **D9/544; D9/439**

(58) **Field of Classification Search** D9/682,
D9/686, 687, 694, 516, 529, 542, 544, 434,
D9/572, 573, 574, 435, 439; 215/200, 296,
215/355, 358, 379, 381-385; 220/200, 377,
220/602, 662, 665, 600, 608, 609, 660, 669,
220/675

See application file for complete search history.

(56) **References Cited**

U.S. PATENT DOCUMENTS

D18,495 S *	7/1888	Mott	D9/546
D25,403 S *	4/1896	Nelson	D9/546
D90,558 S *	8/1933	Tricard	D9/560
D178,345 S *	7/1956	Du Pree	D7/317

D184,394 S *	2/1959	Du Pree	D7/317
D201,218 S *	5/1965	Neil	D7/300
D363,668 S *	10/1995	Brough et al.	D9/544
D496,866 S *	10/2004	Cornell	D9/544
D499,028 S *	11/2004	Faillant-Dumas	D9/544
D542,670 S *	5/2007	Herrmann	D9/560
D544,365 S *	6/2007	Werner	D9/560
D545,213 S *	6/2007	Werner	D9/652
D561,041 S *	2/2008	Sajous	D9/549
D624,823 S *	10/2010	Brown	D9/544
2001/0052508 A1 *	12/2001	Wagner	215/41
2003/0057173 A1 *	3/2003	Wagner	215/44

* cited by examiner

Primary Examiner — Elizabeth J Oswecki

(74) *Attorney, Agent, or Firm* — Cooper & Dunham LLP

(57) **CLAIM**

The ornamental design for a bottle, as shown and described.

DESCRIPTION

FIG. 1 is a front perspective view of a bottle showing my new design;
 FIG. 2 is a front elevational view thereof, the rear being a mirror image thereof;
 FIG. 3 is a left side elevational view thereof, the right side being a mirror image thereof;
 FIG. 4 is a top view thereof; and,
 FIG. 5 is a bottom view thereof.

1 Claim, 4 Drawing Sheets

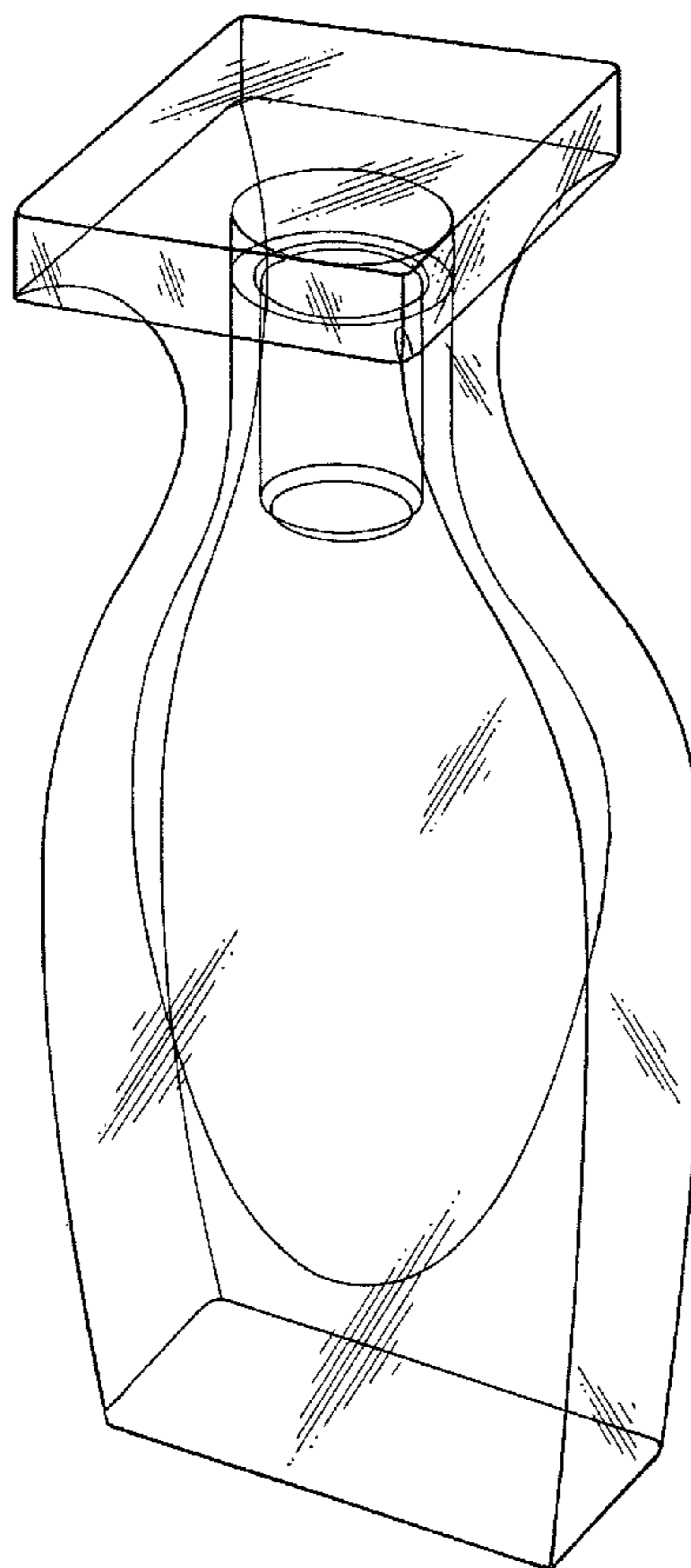


FIG. 1

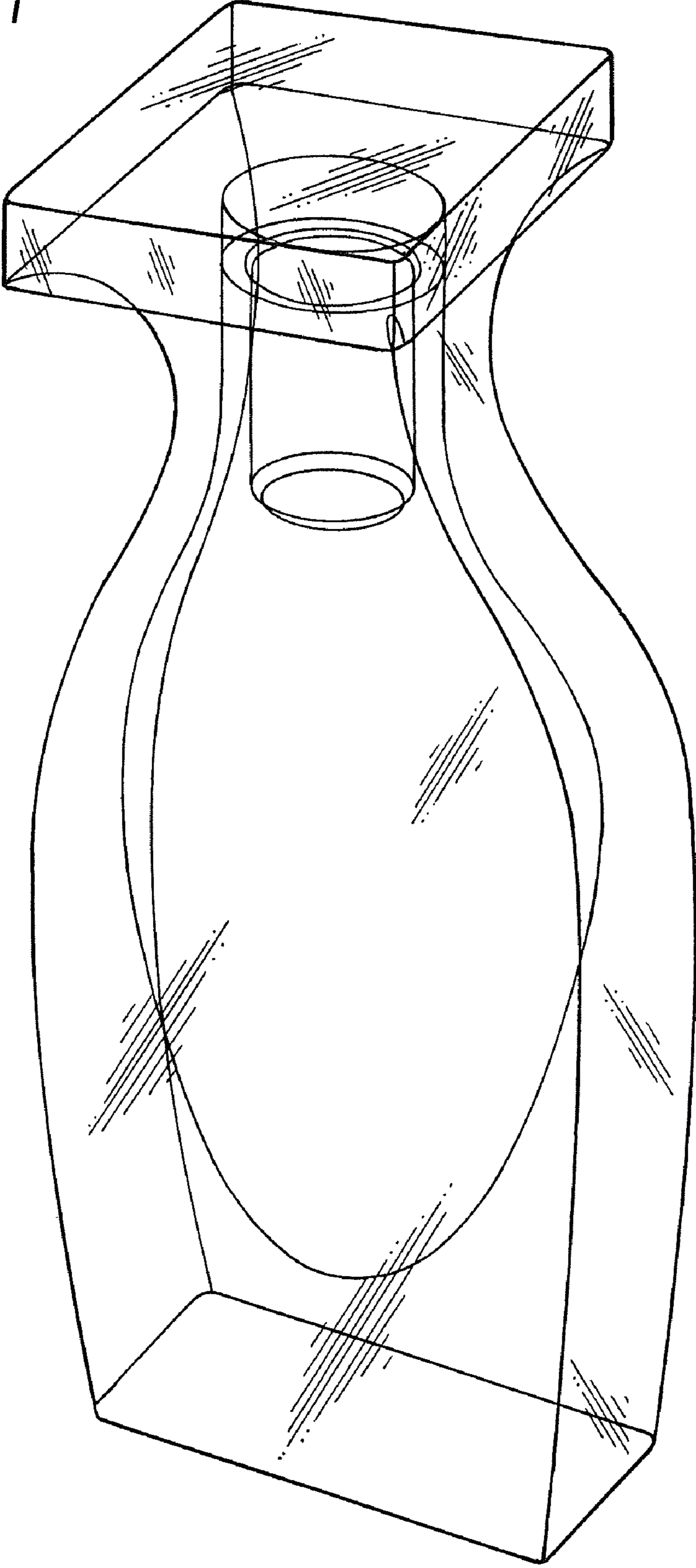
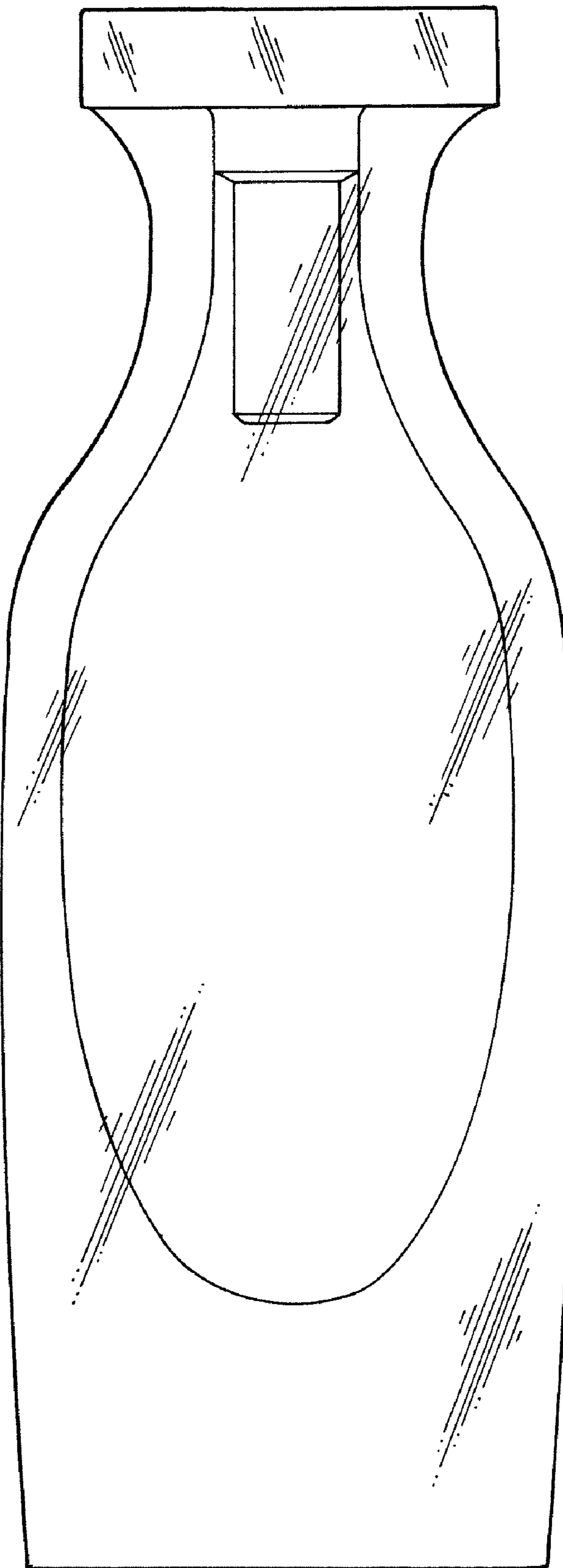


FIG. 2



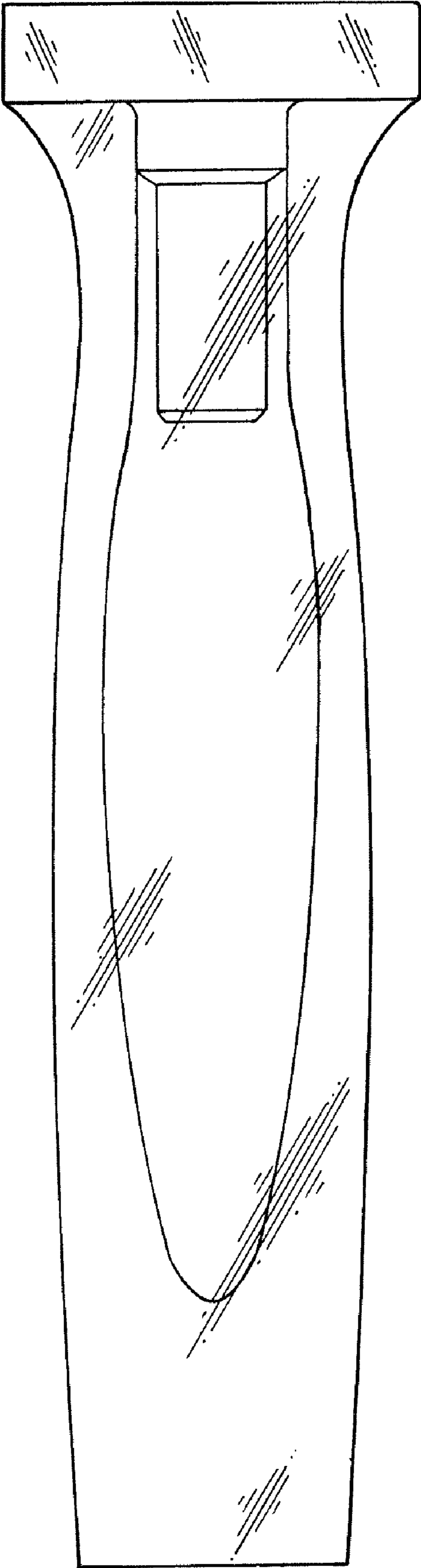


FIG. 3

FIG. 4

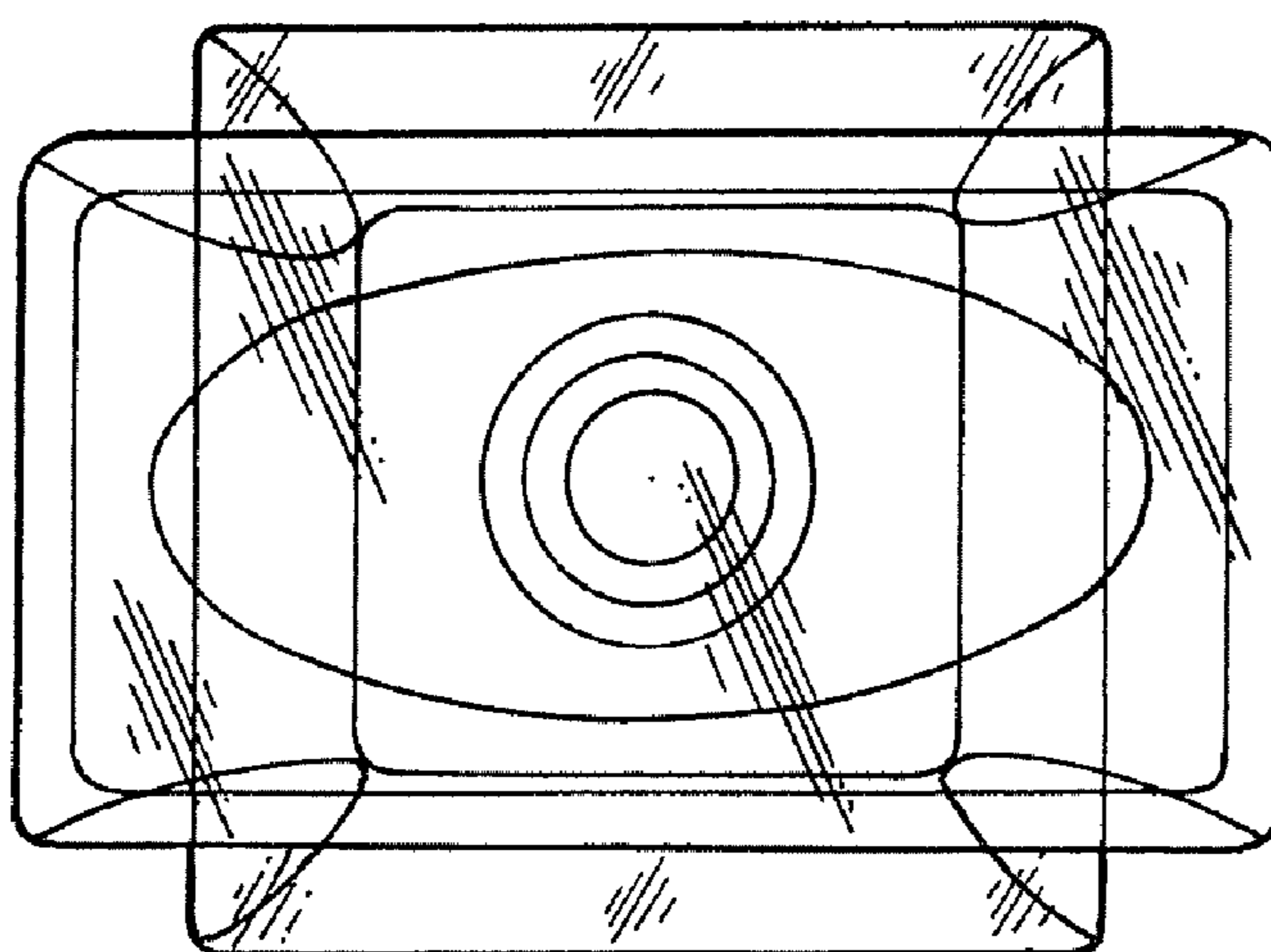
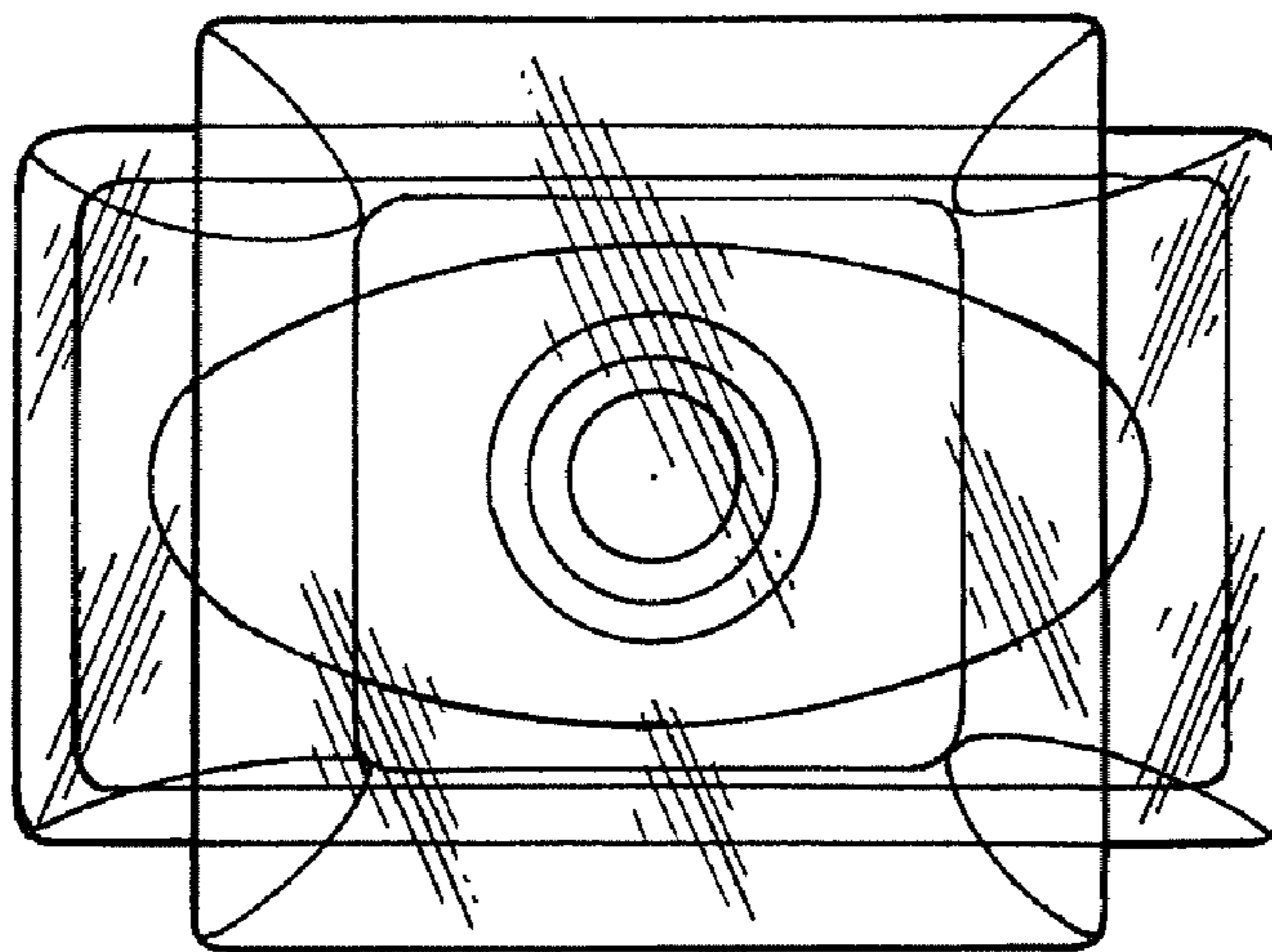


FIG. 5